

Room Fold Plus

Sliding Folding Internal Doorset

FITTING AND FIXING GUIDELINES



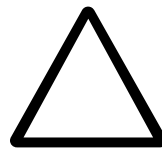
IMPORTANT

Please note: You can only assemble these door configurations by using the frame provided. Your warranty will be invalid if other alternatives are used.

All loads are taken by the top track to ensure smooth, light operation and long life.

Prior to installing this doorset, inspect for damage and do not proceed to fit if any noticeable damage or defect is evident. This doorset should be stored in a dry flat location before installation.

CAUTION



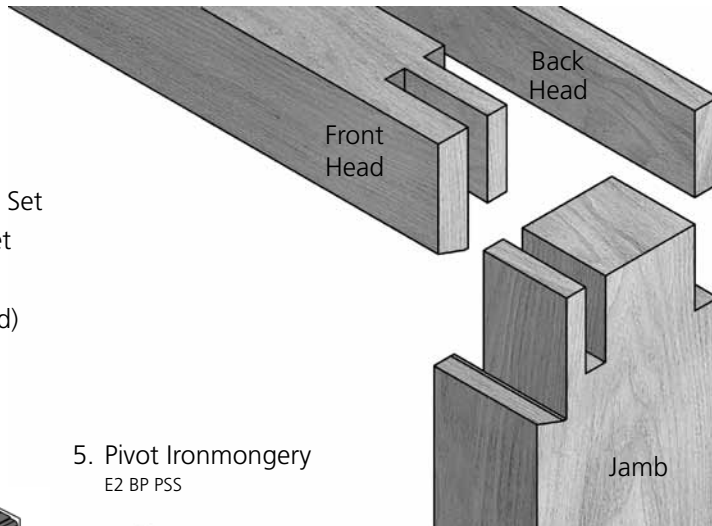
SAFETY: This product needs to be installed by a competent tradesperson with assistance. Two people are required to carry out the installation, as some components are heavy.

The outer frame requires fixing to the supporting structure above the opening.

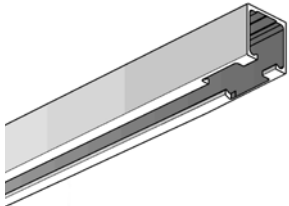
The opening **MUST** be capable of carrying the load of the doorset in all conditions.

Pack contents

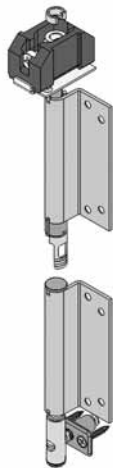
1. Front Head
2. Jamb
3. Back Head
4. Top Track
5. Pivot Set
6. Intermediate Carrier Set
7. Half Offset Hinge Set
8. Straight Hinge Set
9. Dropbolt (Non Keyed)



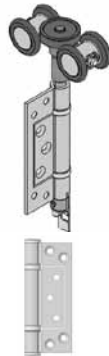
4. Top Track



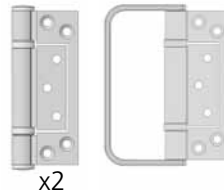
5. Pivot Ironmongery
E2 BP PSS



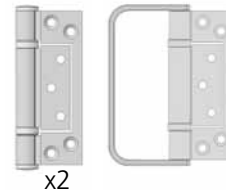
6. Intermediate Carrier Set
E2 BP ICSS



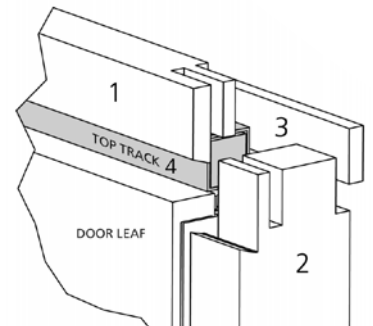
7. Half Offset Hinge
E22 HH SS



8. Straight Hinge Set
E22 H SS



9. Dropbolt
(Non Keyed)
DBMI 100NRX



Tools required

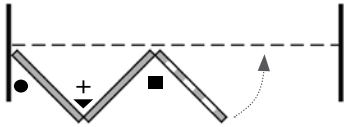
- Spirit level
- Masonry drill
- Cordless screwdriver
- 5 metre measuring tape
- Mallet
- 5mm plastic packers
- Appropriate fixings (dependant on brick or timber opening)
- 75mm wood screws
- Router or chisel

Detailed pack contents

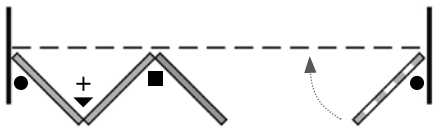
	DOOR OPTIONS				
	3 Door	4 Door	5 Door	6 Door (3 slide)	6 Door
1. Front Head	1 x 1929mm	1 x 2542mm	1 x 3154mm	1 x 3769mm	1 x 3769mm
2. Jamb	2 x 2052mm	2 x 2052mm	2 x 2052mm	2 x 2052mm	2 x 2052mm
3. Back Head	1 x 1929mm	1 x 2542mm	1 x 3154mm	1 x 3769mm	1 x 3769mm
4. Top Track	1 x 1845mm	1 x 2458mm	1 x 3070mm	1 x 3685mm	1 x 3685mm
5. Pivot Set	x 1	x 2	x 1	x 2	x 2
6. Intermediate Carrier Set	x 1	x 1	x 2	x 2	x 2
7. Half Offset Hinge Set	x 1	x 1	x 1	x 2	x 1
8. Straight Hinge Set	N/A	N/A	x 1	N/A	x 1
9. Dropbolt (Non Keyed)	x 1	x 1	x 2	x 2	x 2

Door combinations & ironmongery location

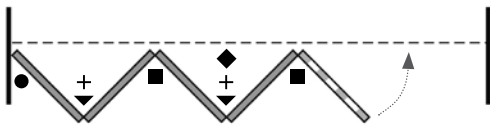
Left handed



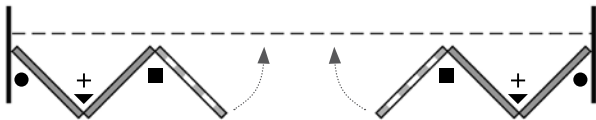
3 Door: Three door leaves slide with one sliding hinged door.



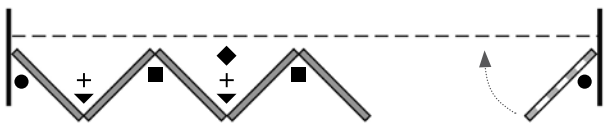
4 Door: Three door leaves slide, one fixed hinged door hung to the opposite door jamb.



5 Door: Five door leaves slide, with one sliding hinged door.

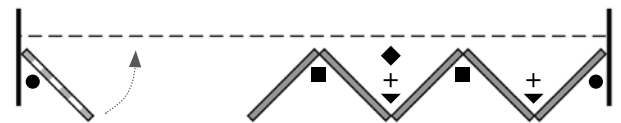
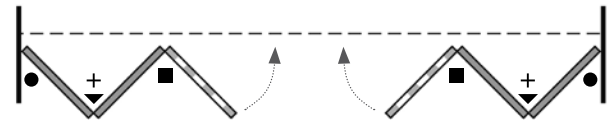
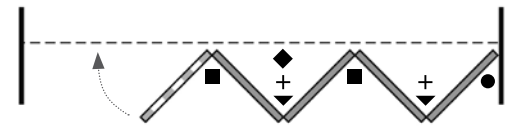
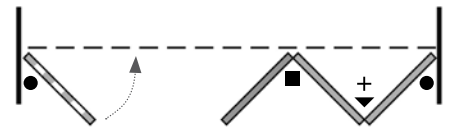
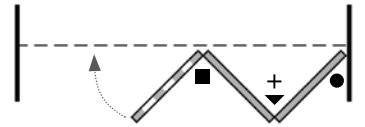


6 Door (3 slide): Three door leaves slide left and three leaves slide right with sliding hinged passive doors to the centre.



6 Door: Five door leaves slide, one fixed hinged door hung to the opposite door jamb.

Right handed



Ironmongery key & set contents

▼ Half Offset Hinge Set

Half offset hinge x2
Half hinge handle
Half offset hinge screw pack

■ Intermediate Carrier Set

Intermediate carrier hinge
Intermediate hinge x2
Intermediate hinge screw pack

● Pivot Set

Top pivot hinge
Bottom jamb pivot hinge
Pivot hinge screw pack

+ Drop Bolt Set

Drop bolt
Drop bolt screw pack

Structural opening sizes

	3 Door	4 Door	5 Door	6 Door
Structural opening width	1939mm	2552mm	3164mm	3769mm
Structural opening height	2057mm	2057mm	2057mm	2057mm

◆ Straight Hinge Set

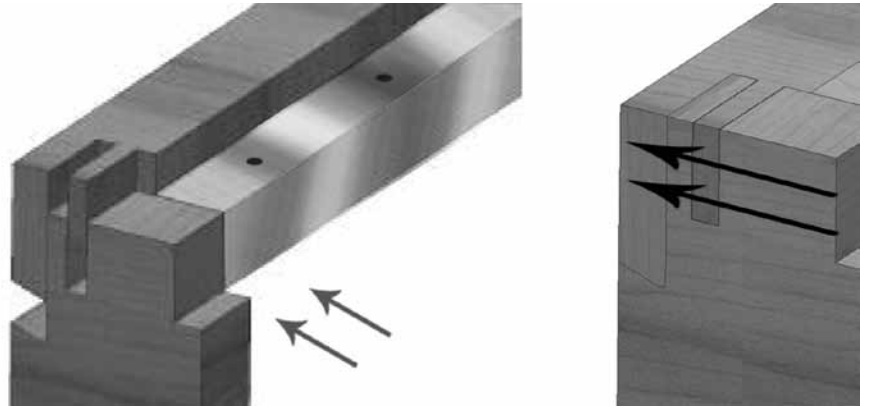
Straight hinge x2
Straight hinge handle
Straight hinge screw pack

1 Frame assembly

Using a drill make pilot holes to the head and 2 jambs.

Using 75mm wood screws attach the front head and 2 jambs together.

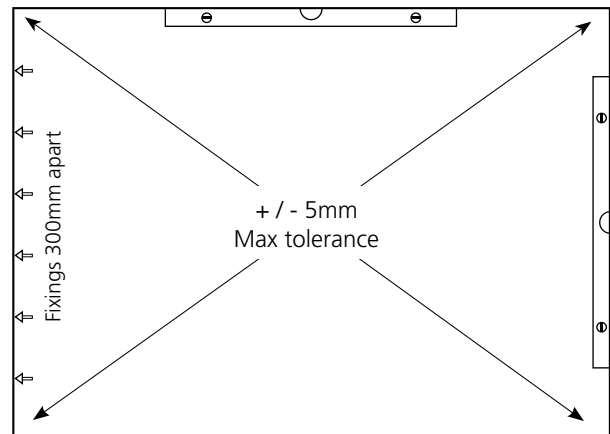
(The back head will be attached later - see no. 8.)



Securing the frame to the opening

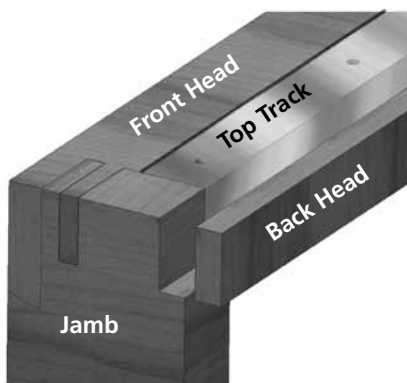
Using appropriate fixings, depending on your opening, i.e. timber or brick, fix through boths jambs at every 300mm.

Important: Check the frame is accurately square and plumb. Do not proceed with installation until you are sure the frame is accurately installed.

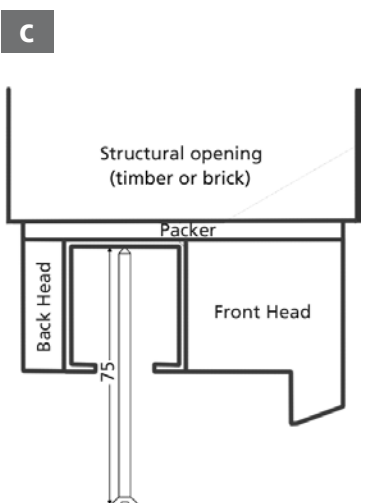
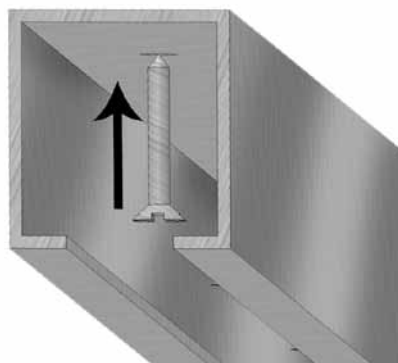


2 Locate and fix top track

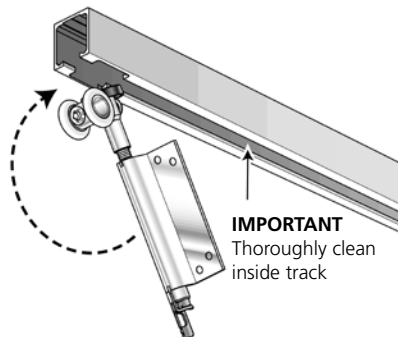
a The track is designed to sit flush with the head as shown in diagram below.



b Dependent on your opening i.e. timber or brick, fix through each pre-drilled hole to ensure the load is carried correctly.

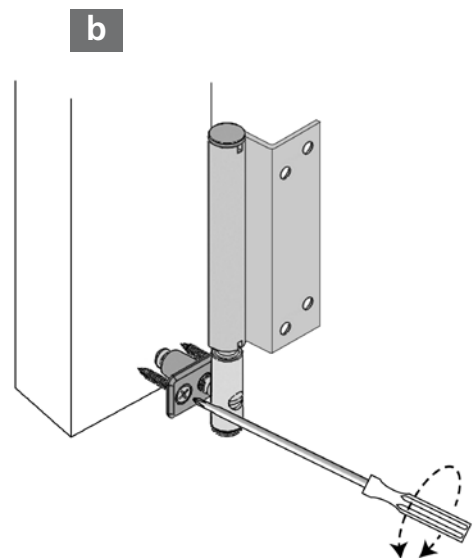
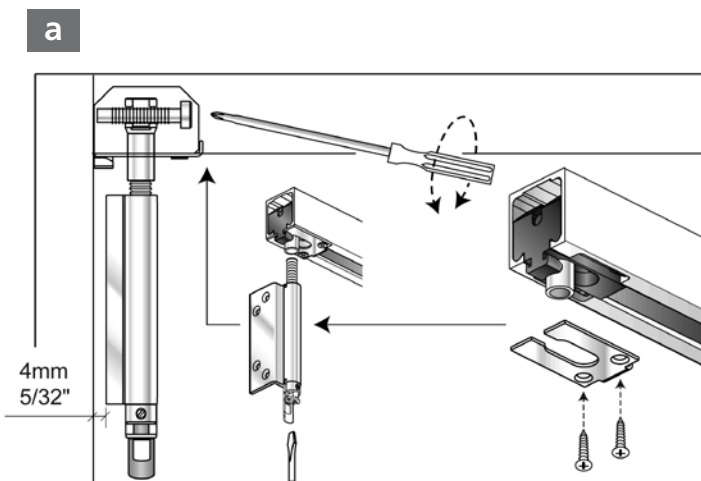


- d** Slide the intermediate carrier into the track using the access opening. This is to one end only and should be fixed where the last door will be installed to ensure all ironmongery can enter the track.



3 Attaching top & bottom pivot

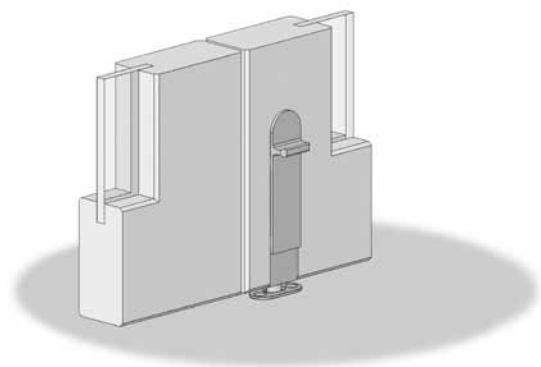
Secure both the top and bottom parts of the pivot ironmongery set by following diagrams **a** and **b** using the fixings provided.



4 Fitting the drop bolts

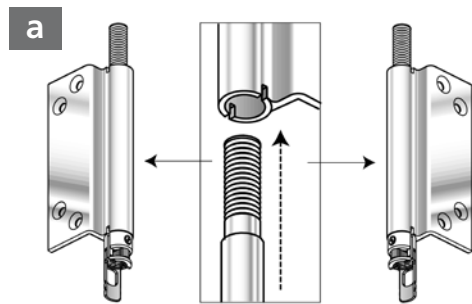
The optional dropbolts can be fitted to either the top or the bottom of the door. Dependant on how many doors you have, your configuration will determine which doors you fit the bolts to. Please see page 3 for details of where to fit the ironmongery.

To fit the dropbolts, we recommend the use of a hand router to form the necessary recesses. Alternatively hand tools can be used.

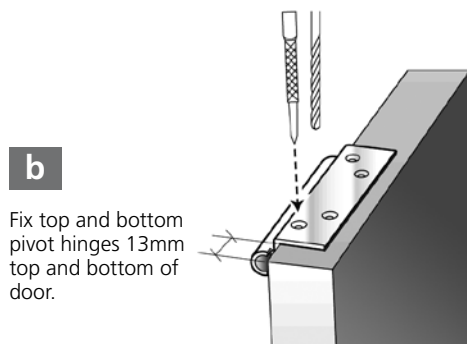


5 Fitting the first door

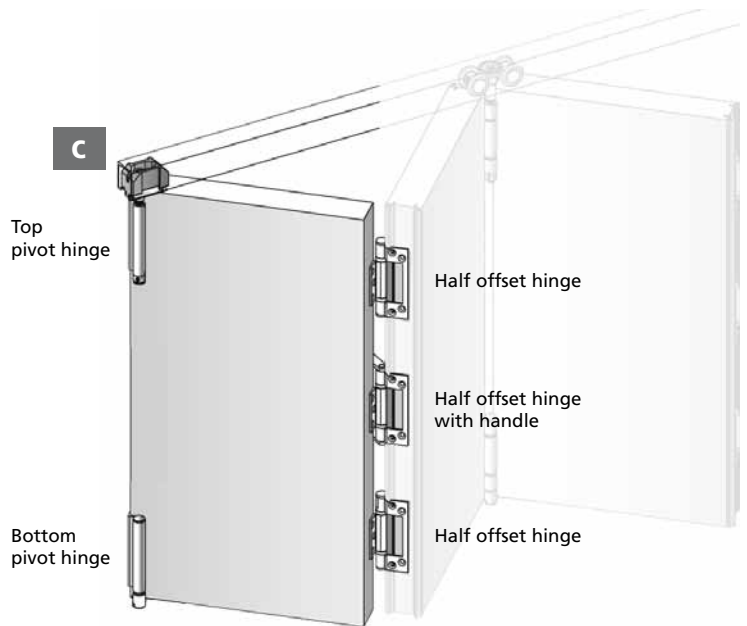
All ironmongery is reversible and is set to left hand as standard. For right opening remove the bolt and re-insert in the other end. Fix top and bottom pivot hinges 13mm from the top and 13mm from the bottom of the door. Half offset hinges are located 150mm from the top and bottom of each door.



All ironmongery is reversible to suit a left or right carrier system.

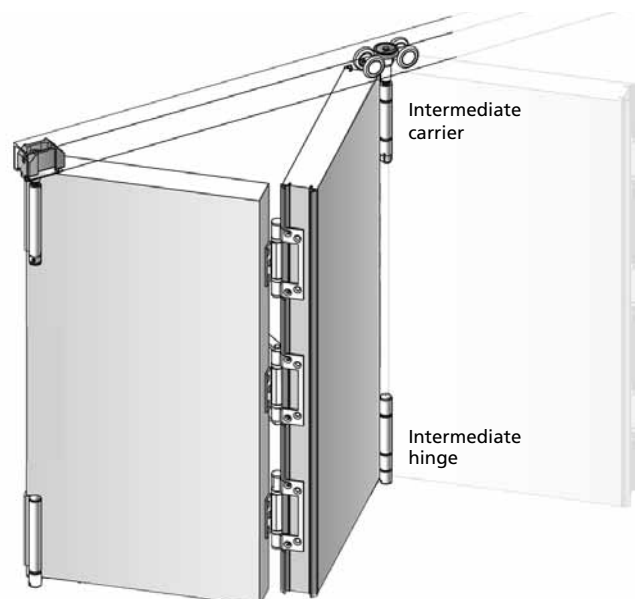


Fix top and bottom pivot hinges 13mm top and bottom of door.



6 Fitting the centre door

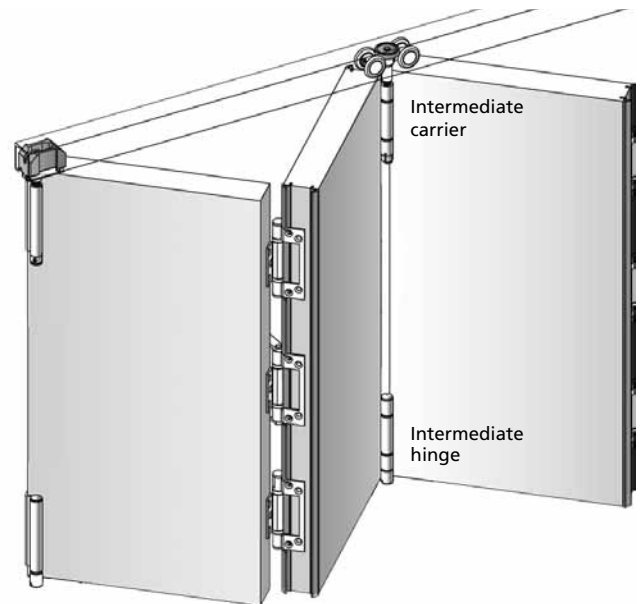
Carefully support the door using temporary blocks. Attach the top carrier into the wheeled intermediate carrier that was located when the track was screwed into position. Fix doors one and two together using intermediate hinges.



7 Fitting the sliding hinged door (where applicable)

Attach the door to the intermediate carrier at the top. Using the hinge (part of the intermediate carrier set) at the bottom for the final fix.

Repeat these steps dependant on the number of doors and configuration you have chosen. See page 3 for further details on door configurations and ironmongery locations.



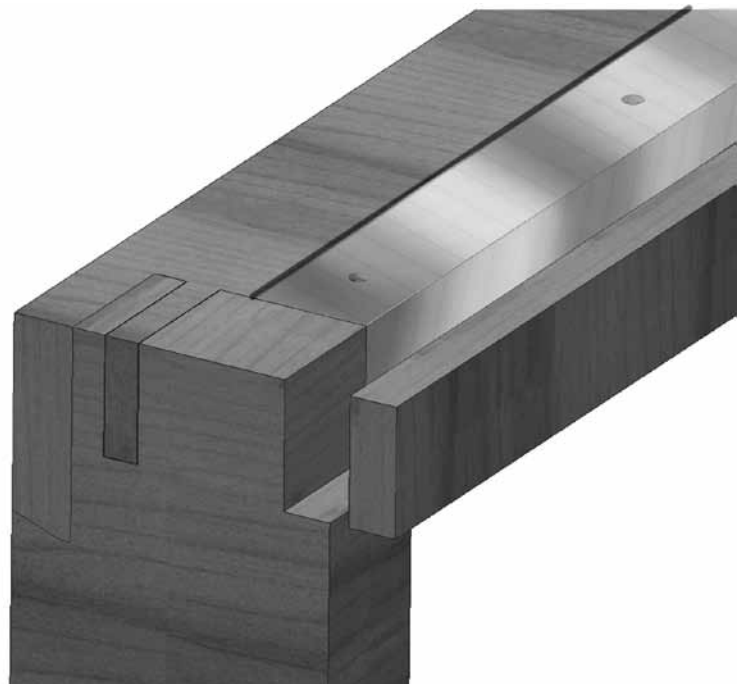
8 Fitting the back head

Once all doors are assembled you have two choices on how to fix the back head. Fix either end of the head where it sits up against the jamb tenon, using wood screws, and then either:

1) Glue the remaining length, using a wood to metal adhesive and then clamp until set.

OR

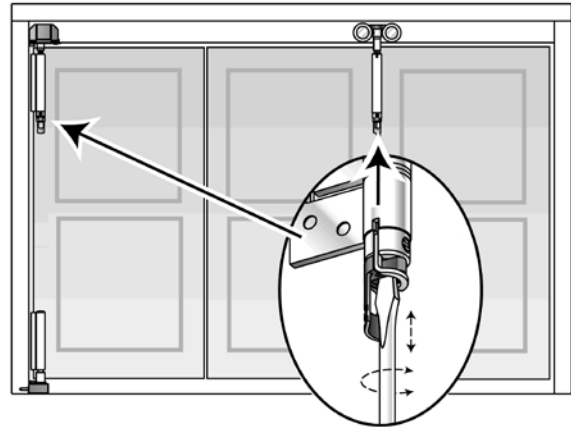
2) Fix the remaining length using appropriate screw fixings.



9 Final adjustments

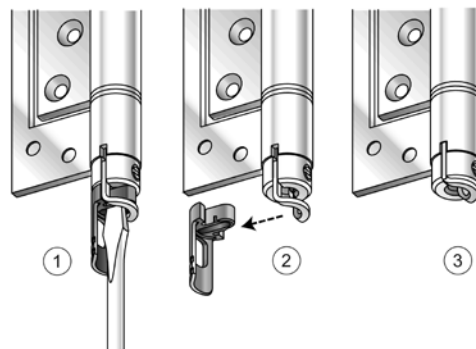
You have 15mm approximate height adjustment when setting the level of the doors.

Adjusting the intermediate and pivot ironmongery by following the diagram to the right will increase or decrease any gaps between doors.



Once you are satisfied with the adjustments you have made, remove the yellow plastic safety caps. If not removed, the doors will self adjust downwards causing the system to not operate correctly.

Please keep the safety caps as they will be needed in the future to adjust as and when necessary.



10 Feedback

Thank you for choosing Room Fold Plus. We welcome feedback and any improvements to our fitting instructions. Please contact us at marketing@jeld-wen.co.uk