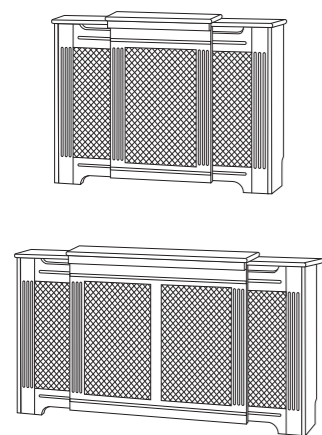


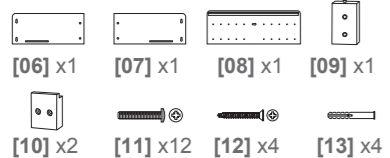
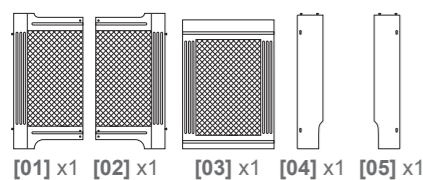
# Victorian Adjustable



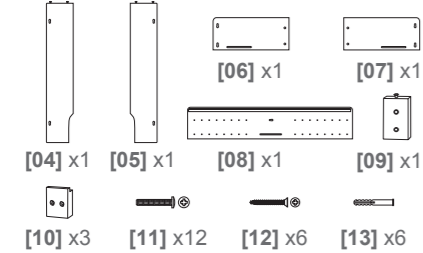
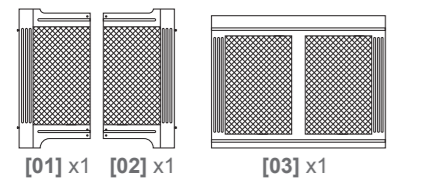
Victorian Adjustable Version: 03

## Radiator Cabinet

Small - Medium



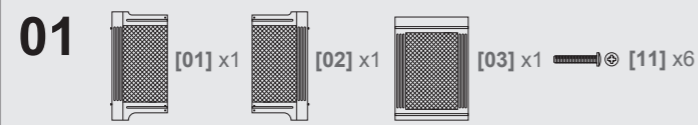
Medium - Large



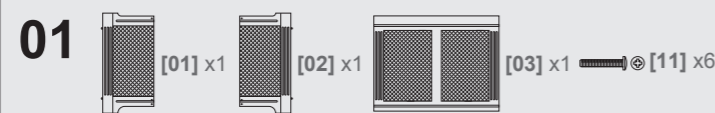
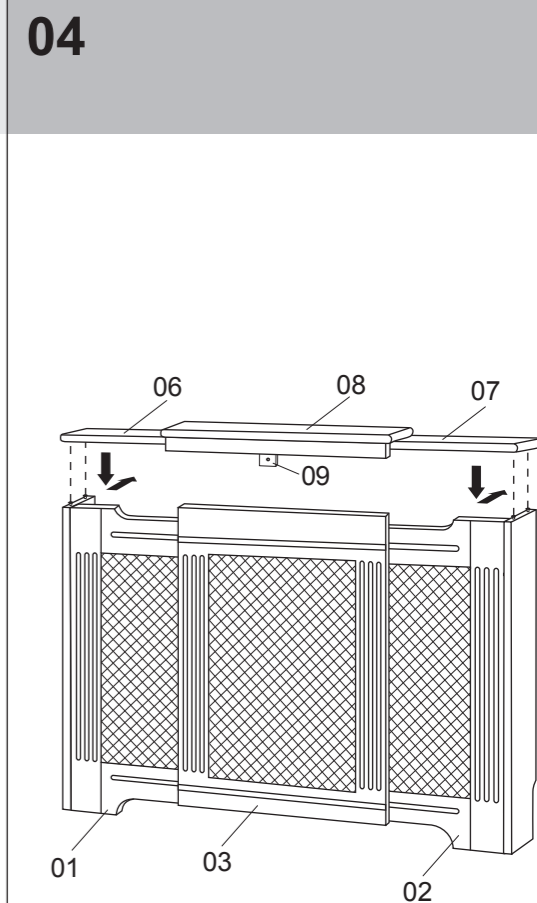
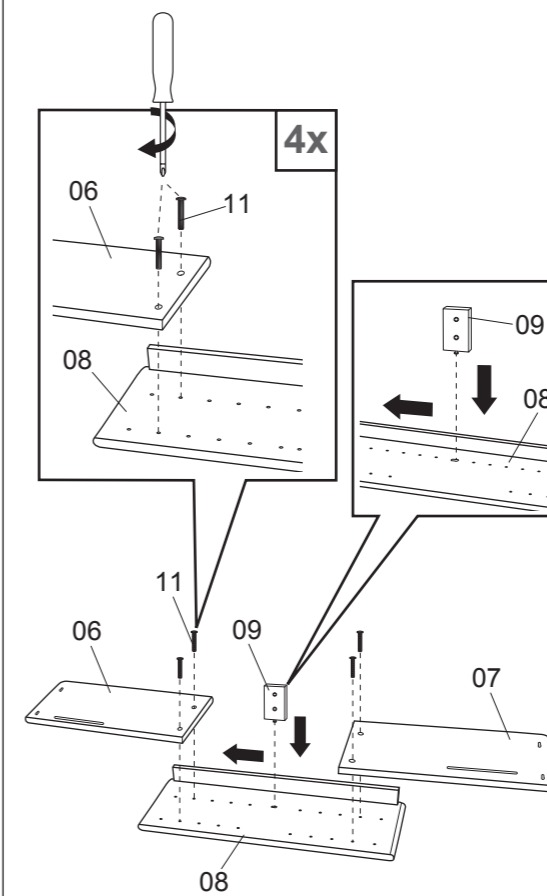
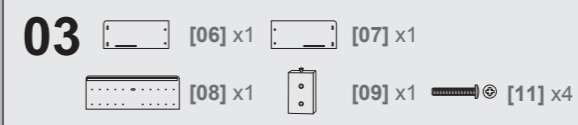
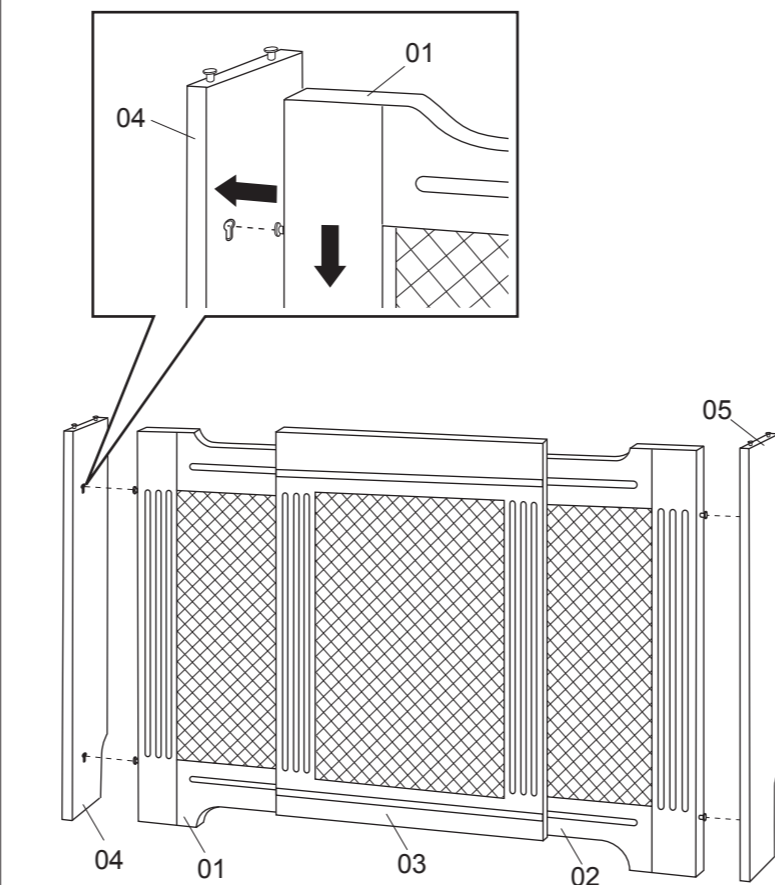
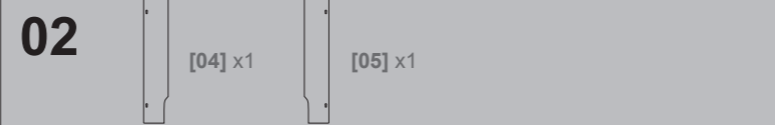
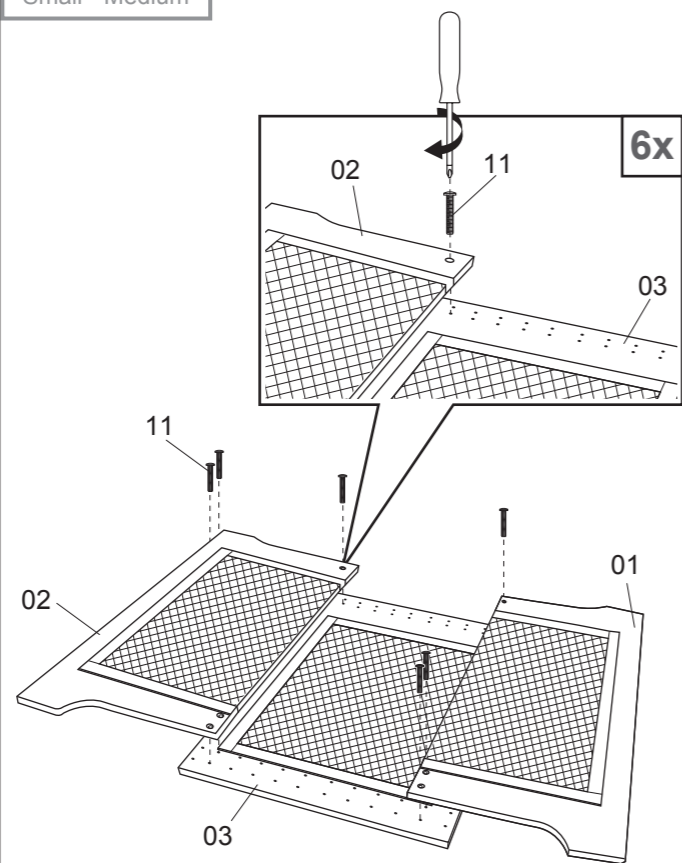
You will need



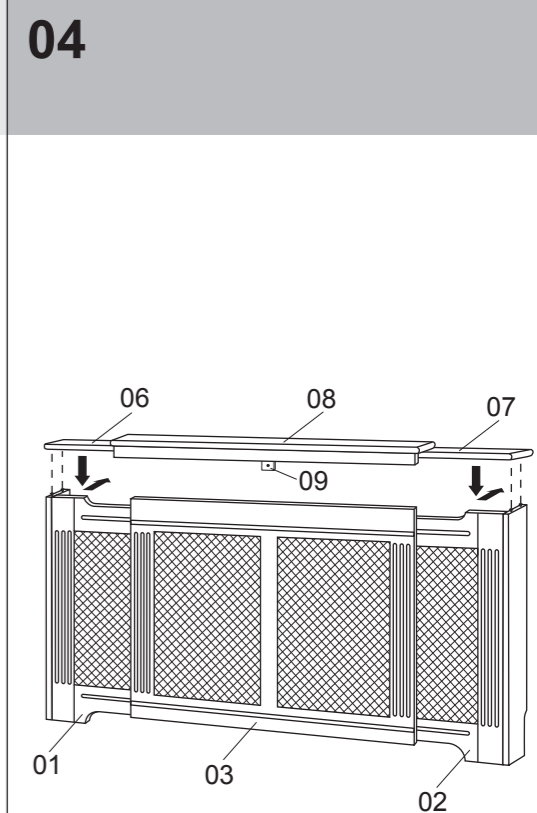
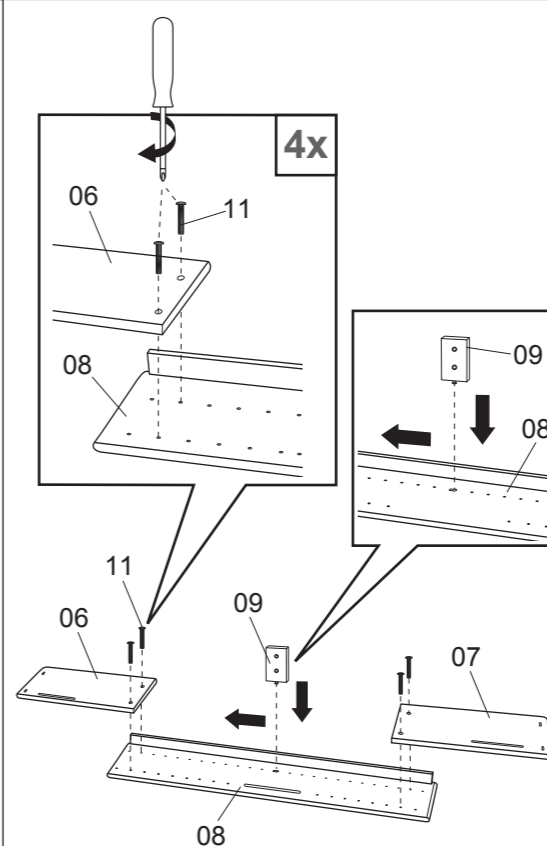
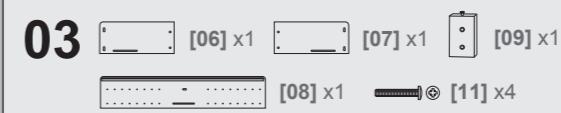
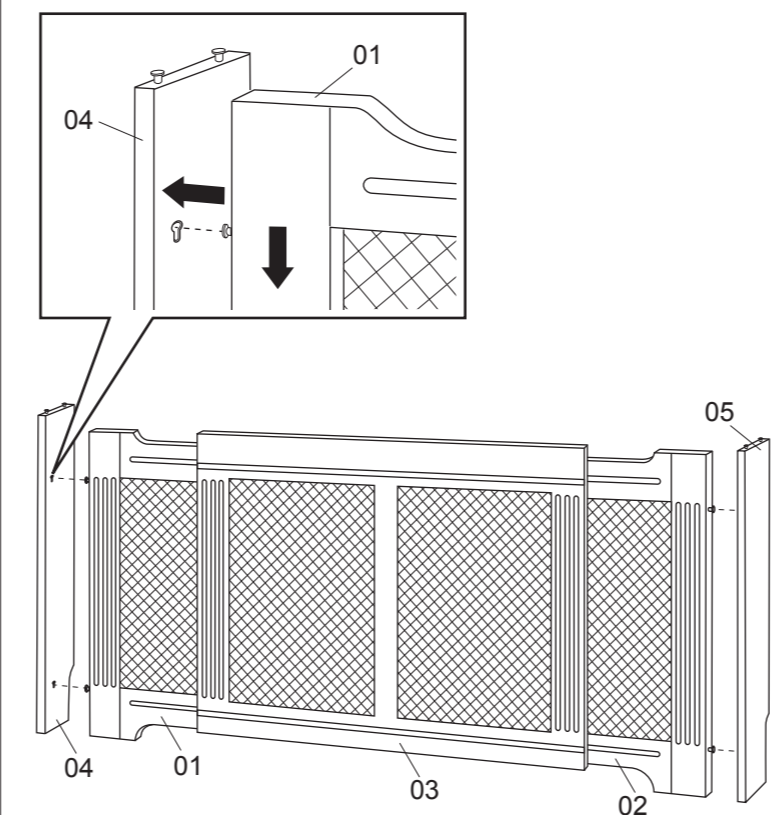
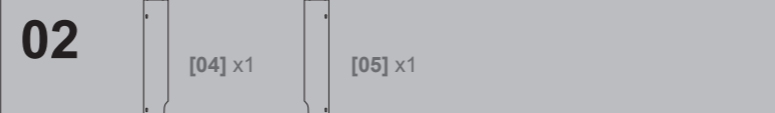
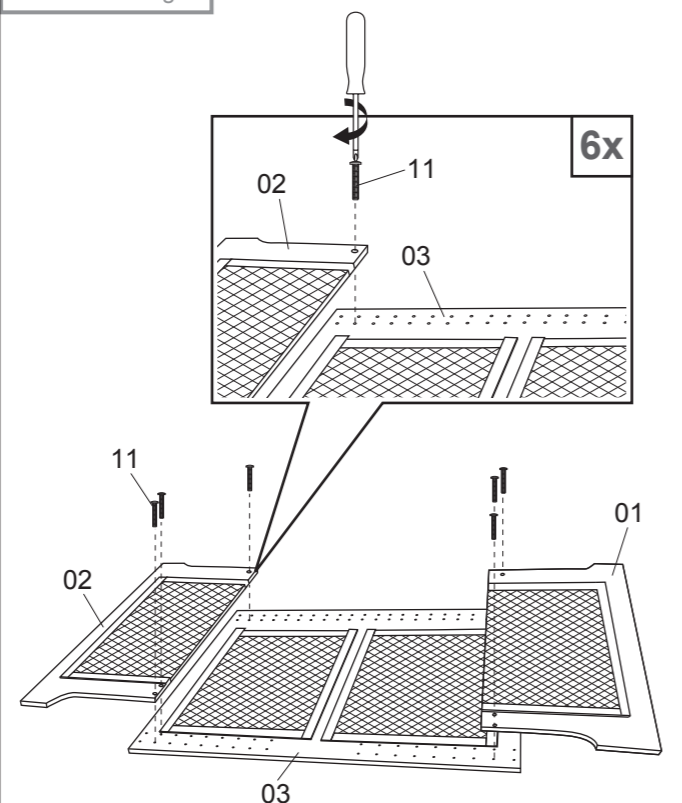
(#2)



Small - Medium



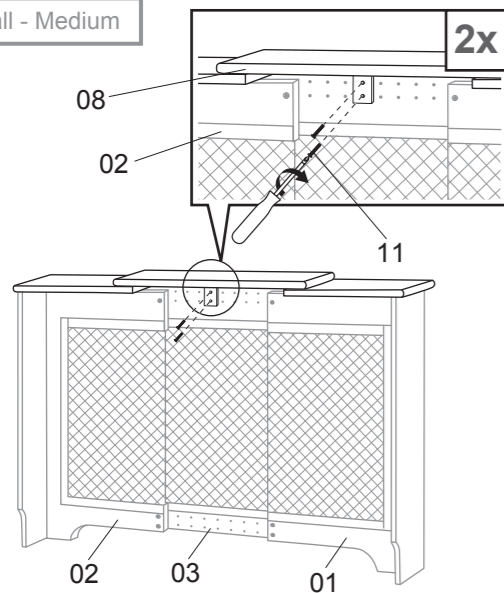
Medium - Large



05

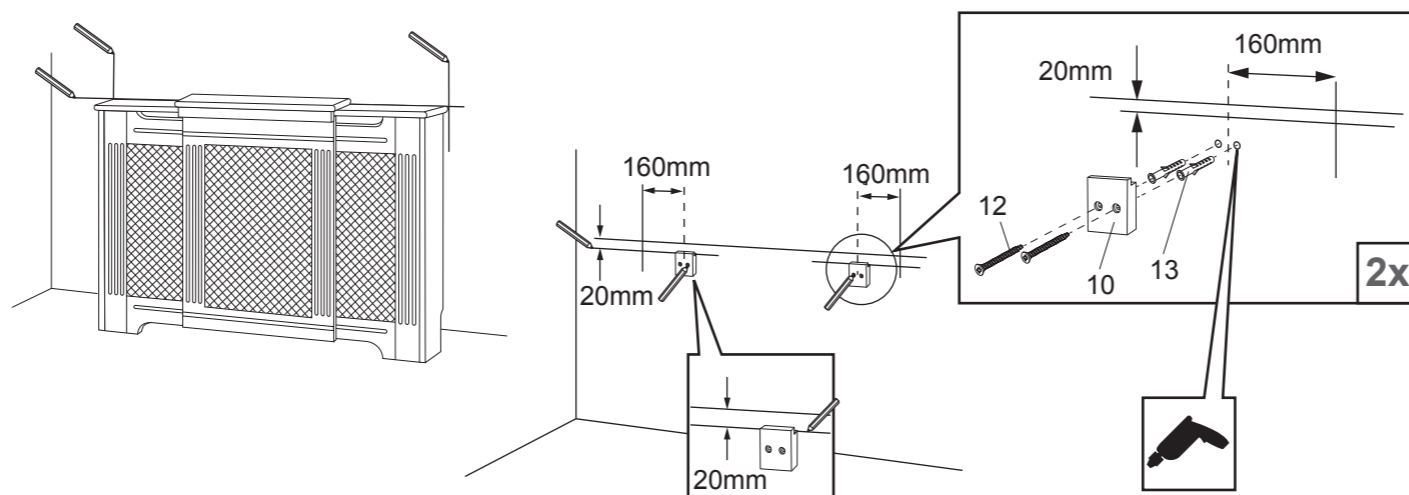
🔩 [11] x2

Small - Medium

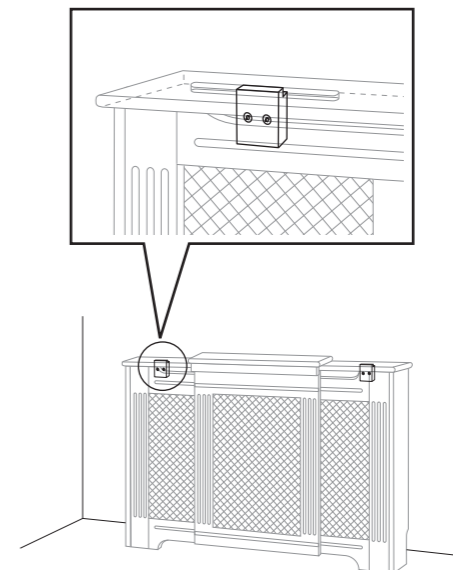


06

📦 [10] x2 🔩 [12] x4 📏 [13] x4



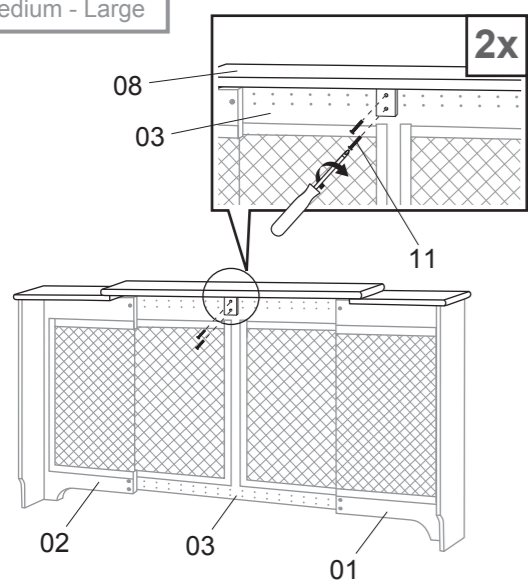
07



05

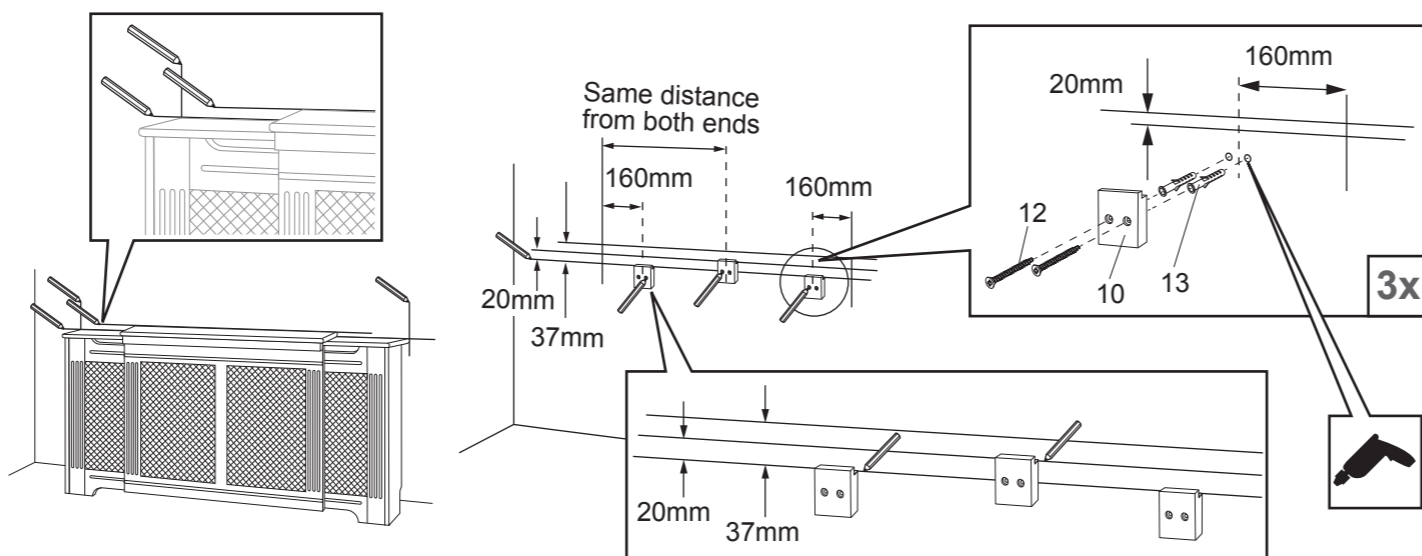
🔩 [11] x2

Medium - Large

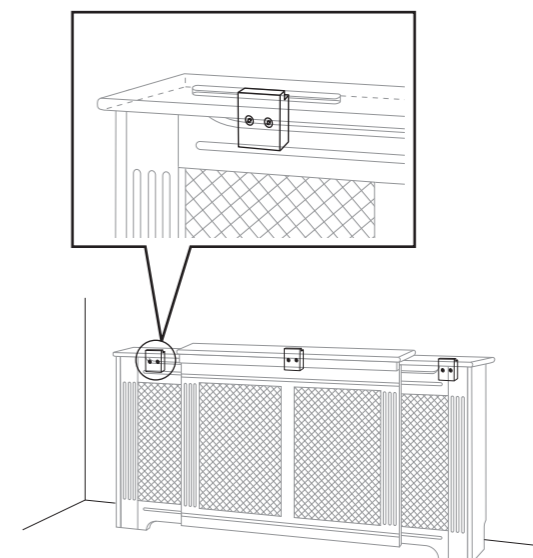


06

📦 [10] x3 🔩 [12] x6 📏 [13] x6



07



**GB IE Safety**

- The assembled radiator cabinet must be fixed/secured to a wall which is in good condition.
- The screws and wall plugs provided are suitable for solid walls only, alternative fixings will be required for other wall types (not included). Please consult a competent person if you are in any doubt.
- Before drilling into the walls, check for hidden pipes and cables.
- Turn the radiator off, allowing it to cool prior to commencing work.
- Avoid assembling the radiator cabinet on a hard or abrasive surface which could damage the finish.
- Place the radiator cabinet in position with the grooves in the underside of the top panel located over the fixing brackets. The cabinet can be easily removed if access to the radiator is required.

**In more detail...**

**The 3 golden rules for care**

- 1** Use warm water with a mild detergent and a soft damp cloth to clean the surface of the product and to remove any stains.
- 2** Never use any solvents, scourers, abrasives, bleach, acids, strong detergents, aggressive chemical cleaners or solvent-type cleaning solutions on the product.
- 3** Painting
  - Sand the surface lightly with sandpaper and then wipe clean to remove all dust residue.
  - Apply a primer suitable for MDF and allow to dry.
  - Lightly sand and apply one or more finishing coats with a suitable paint and allow to dry.

Barcode: Record the barcode from the packaging \_\_\_\_\_.