

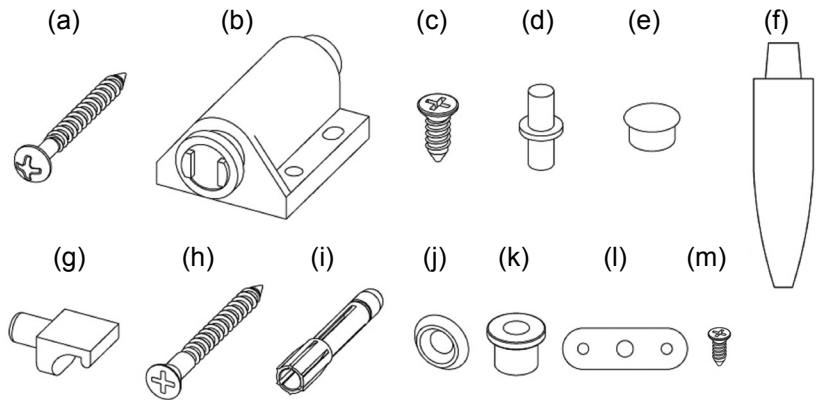
Thank you for purchasing this Croydex product. Please follow the fixing and care instructions to ensure that your bathroom product is fitted safely and that it retains its high quality finish. **Please retain this leaflet for future reference.**

This instruction leaflet applies to the following product:

WC257222 (White) Single Door Corner Cabinet

Fixing Pack Contents

- (a) 16 x Fixing screws
- (b) 1 x Magnetic catch
- (c) 4 x Magnetic catch screws
- (d) 2 x Mirrored door pivot pins
- (e) 16 x Screw caps
- (f) 1 x Glue sachet
- (g) 3 x Shelf supports
- (h) 2 x Wall fixing screws
- (i) 2 x Wall plugs
- (j) 2 x Washers
- (k) 2 x Hinge grommet
- (l) 1 x Magnetic plate
- (m) 1 x Magnetic plate screw



Tools Required

Drill; 6mm Masonry Drill Bit; 6mm Ceramic Drill Bit (optional); Cross Head Screwdriver; Large Flat Head Screwdriver; Bradawl; Pencil, Spirit Level.

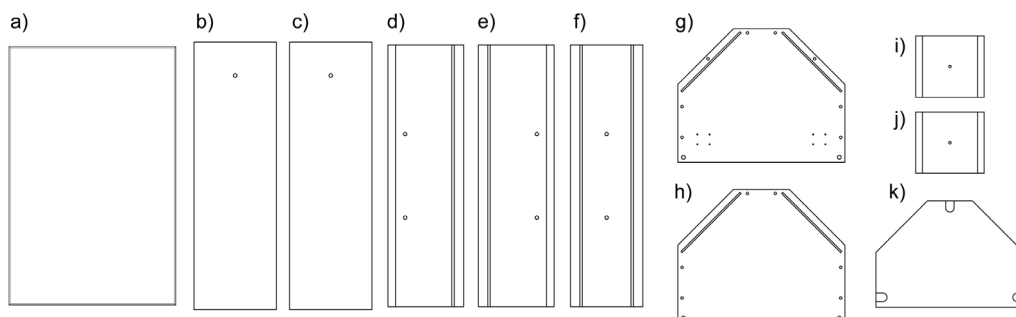
KEEP DIY TOOLS OUT OF THE REACH OF CHILDREN

Home Safety Advice

- It is recommended that two people fit the cabinet to ensure that it is fitted safely.
- Always take care when using an electric drill, particularly in the bathroom. Always check for hidden cables and pipe work before drilling and take extreme care if there is any water in the working area.
- It is advisable to use a residual current circuit breaker (RCCB).
- Always wear suitable eye protection when drilling.
- If the product is to be fitted on a ceramic tiled wall, a ceramic drill bit should be used. Always ensure that the drill hole passes through the central tiled area rather than through the grouted area. To prevent unnecessary damage to the tile, mask the area around the hole with tape before drilling.
- Do not strike the product with hard or sharp objects.
- Do not overload the cabinet. Maximum safe working load is 10kg evenly distributed if mounted on to a solid wall. If mounted on to a cavity wall reduce the load to 5kg evenly distributed.

Component Key

(a) Mirrored Door, (b) Backing Board, (c) Backing Board, (d) Side Panel, (e) Side Panel, (f) Back Panel, (g) Top Panel, (h) Base Panel, (i) Strengthening Baton, (j) Strengthening Baton, (k) Shelf.

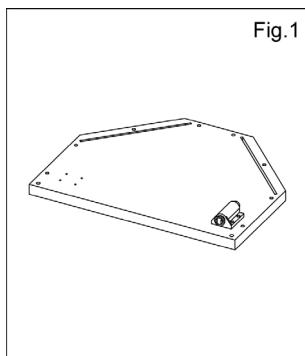


Assembly Instructions

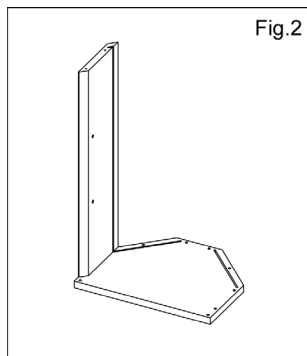
Lay out all components so they are all clearly identifiable prior to assembly.

Remove excess adhesive with a damp cloth before it dries.

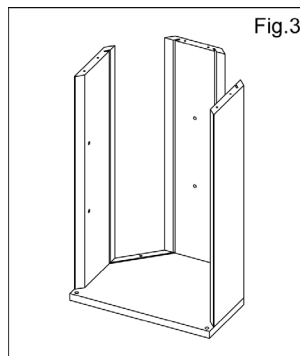
Support the doors during assembly and do not allow the doors to fall open, as this will damage the hinge.



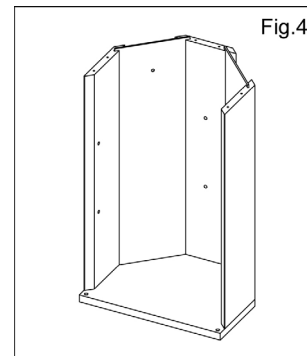
1. Mount the magnetic door catch to the top panel. Use all four magnetic catch screws. Door catch must be fitted to opposite side of door hinge.



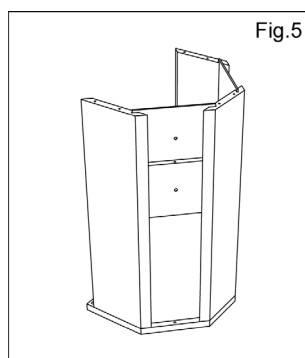
2. Secure side panel to base panel using two fixing screws. (Screws mounted from underside of base. To improve strength place small amount of glue on underside of side panel before securing into position.)



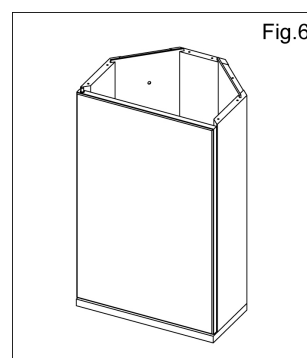
3. Secure side panel and back panel to the base using 4 fixing screws. (Screws mounted from underside of base. To improve strength place small amount of glue on underside of side panel before securing into position.)



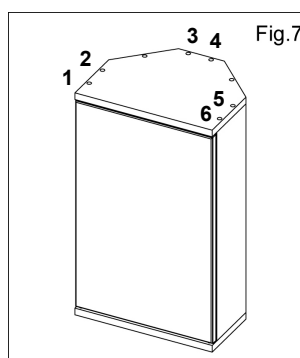
4. Locate the backing boards into the recesses on the side panels and back panel. Screw fixing holes to be positioned at the top of the cabinet. (Note- if positioned incorrectly the cabinet cannot be hung.)



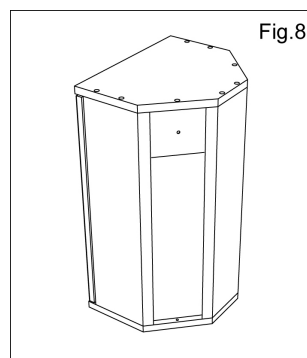
5. Slide the two strengthening batons into the channels at the rear of the cabinet with the pilot holes facing towards the top of the cabinet. Not to be secured into top panel at this stage.



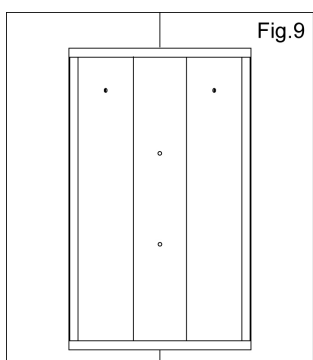
6. Place one of the door pivot pins into hole recess situated on the base panel. (Hinge grommet needs to be located in the recess before placing the pivot pin) Locate mirrored door onto pivot pin and place second pivot pin into the top of the door before securing the top panel.



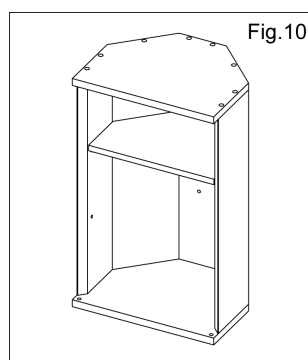
7. Place top panel onto cabinet carcass ensuring all screw holes, recesses and hinge grommet are accurately aligned. Secure the top panel to the side panels and back panel. (six fixing screws required. To improve strength place small amount of glue on underside of side panel before securing into position.)



8. Slide the hanging batons up to the top panel and secure into position with the two remaining fixing screws.



9. Hold the cabinet against the wall in its desired location and check that it is straight and level. Open the door(s) and mark the wall using the holes in the back of the cabinet as a guide. Drill 40mm deep holes in marked positions using a 6mm masonry drill and insert wall plugs. Align the holes in the back of the cabinet with the wall plugs. Insert the screws through the washers and holes in the back of the cabinet and screw in position.



10. Insert shelf supports into hole recesses and ensure all supports are aligned accurately. Place the shelf in the cabinet and lower onto the shelf supports. (Door not shown.)

Note

Door can be opened from either the left or right side of the cabinet. To change the opening orientation of the door move the hinge grommets to the opposite side of the top and base panels.

Product Care

To retain the best quality finish, clean product regularly with a soft cloth and mild detergents. Do not use abrasive or chemical cleaners, as these will damage the product.

Do not slam the door open against its mechanical limits, as this will damage the hinge.

For details of other items in the Croydex range please visit our website: www.croydex.com

Croydex Limited, Central Way, Andover, Hants, SP10 5AW, UK

CAB 024 R02