

**TRITON**

**TAMAS**  
**thermostatic**  
**electric shower**



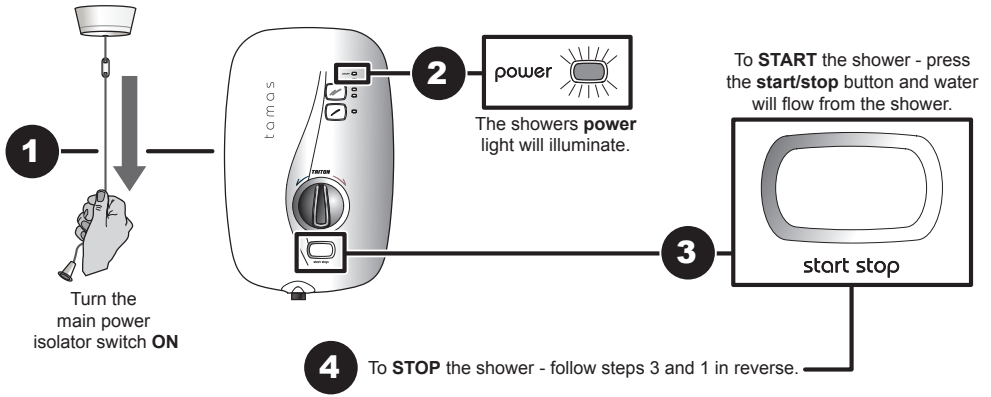
**Installation and**  
**operating**  
**instructions**



INSTALLERS PLEASE NOTE THESE INSTRUCTIONS ARE TO BE LEFT WITH THE USER

# SHOWER CONTROLS - quick user guide

## To START or STOP your shower.

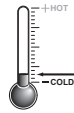
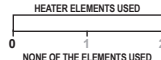


## To alter the FLOW and Temperature of your shower.

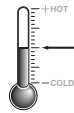
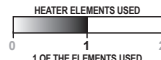
### Select a Temperature Button setting



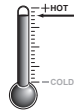
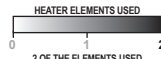
#### COLD water



#### ECONOMY heat



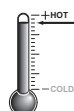
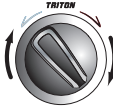
#### HIGH heat



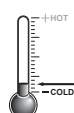
### Select a Temperature Knob setting



#### HOTTER (slower flow)



#### COLDER (faster flow)



<b>CONTENTS</b>	<b>Page</b>
<b><i>SHOWER CONTROLS - quick user guide</i></b> .....	<b>Inside cover</b>
<b>IMPORTANT SAFETY INFORMATION (please read)</b> .....	<b>2</b>
Dimensions and entry points .....	3
Introduction .....	4
Specifications.....	4
Important advice to users .....	4
Electrical requirements.....	5 - 6
Water requirements .....	7
<b>User Operating Instructions</b> .....	<b>8 - 10</b>
<b>INSTALLING THE SHOWER</b>	
Siting of the shower.....	11
Fitting the shower to the wall .....	12 - 13
Plumbing connections .....	14
Electrical connections .....	15
Shower drain pumps ( <i>not supplied</i> ) .....	13 - 14
<b>COMMISSIONING</b> .....	<b>16 - 17</b>
Connecting the PCB cable & Replacing the cover .....	18
Cleaning the filter - installers & service engineers only .....	19
Spare parts .....	20
Fault finding/Troubleshooting.....	21 - 22
UK Guarantee/Service Policy .....	rear cover

To check the product suitability for commercial and multiple installations, please contact Triton's specification advisory service before installation.

Telephone: 0844 980 0730

Facsimile: 0844 980 0744

E mail: [technical@tritonshowers.co.uk](mailto:technical@tritonshowers.co.uk)

**PLEASE READ THIS IMPORTANT SAFETY INFORMATION**

Products manufactured by Triton are safe and without risk provided they are installed, used and maintained in good working order in accordance with our instructions and recommendations.

- ⚠ WARNING: DO NOT** operate shower if frozen, or suspected of being frozen. It must thaw out before using.
- ⚠ DO NOT** operate the unit if the showerhead or spray hose becomes damaged.
- ⚠ DO NOT** restrict flow out of shower by placing showerhead in direct contact with your body.
- ⚠ DO NOT** operate the shower if water ceases to flow during use or if water has entered inside the unit because of an incorrectly fitted cover.

**1 GENERAL**

**1.1** Isolate the electrical and water supplies before removing the cover.

**1.2** Read all of these instructions and retain them for later use.

**1.3 DO NOT** take risks with plumbing or electrical equipment.

**1.4** Isolate electrical and water supplies before proceeding with the installation.

**1.5** The unit must be mounted onto the finished wall surface (on top of the tiles). **DO NOT** tile up to or seal around **ANY PART** of the unit using silicone sealer after fixing to the wall. Special care must be taken **NOT TO BLOCK OR SEAL ANY PRD VENTS ON THE UNIT.**

**1.6** Contact Customer Service (*see back page*), if any of the following occur:

- a)** *If it is intended to operate the shower at pressures above the maximum or below the minimum stated.*
- b)** *If the unit shows a distinct change in performance.*
- c)** *If the shower is frozen.*

**1.7** If it is intended to operate the shower in areas of hard water (above 200 ppm temporary hardness), a scale inhibitor may have to be fitted. For advice on the Scale Inhibitor, contact Customer Service.

**1.8** The showerhead must be cleaned regularly with descaler to remove scale and debris, otherwise restrictions to the flow on the outlet of the unit will result in higher temperatures and could also cause the (PRD) Pressure Relief Device in the unit to operate.

**1.9** This product is not suitable for mounting into steam rooms or steam cubicles.

**2 PLUMBING**

**2.1** The plumbing installation must comply with Water Regulations, Building Regulations or any particular regulations as specified by Local Water Company or Water Undertakers and should be in accordance with BS 6700.

**2.2** The supply pipe must be flushed to clear debris before connecting to the shower unit.

**2.3 DO NOT** solder pipes or fittings within 300mm of the shower unit, as heat can transfer along the pipework and damage components.

**2.4 DO NOT** fit any form of outlet flow control as the outlet acts as a vent for the heater can.

**2.5 DO NOT** use excessive force when making connections to the flexible hose or showerhead, finger tight is sufficient.

**2.6** All plumbing connections must be completed before making the electrical connections.

**3 ELECTRICAL**

**3.1** The installation must comply with BS 7671 'Requirements for electrical installations' (IEE wiring regulations), building regulations or any particular regulations as specified by the local Electrical Supply Company.

**3.2** This appliance **MUST** be earthed.

**3.3** In accordance with 'The Plugs and Sockets etc. (Safety) Regulations 1994', this appliance is intended to be permanently connected to the fixed wiring of the electrical mains system.

**3.4** Make sure all electrical connections are tight to prevent overheating.

**3.5** A 30mA residual current device (RCD) **MUST** be installed in all UK electric and pumped shower circuits. This may be part of the consumer unit or a separate unit.

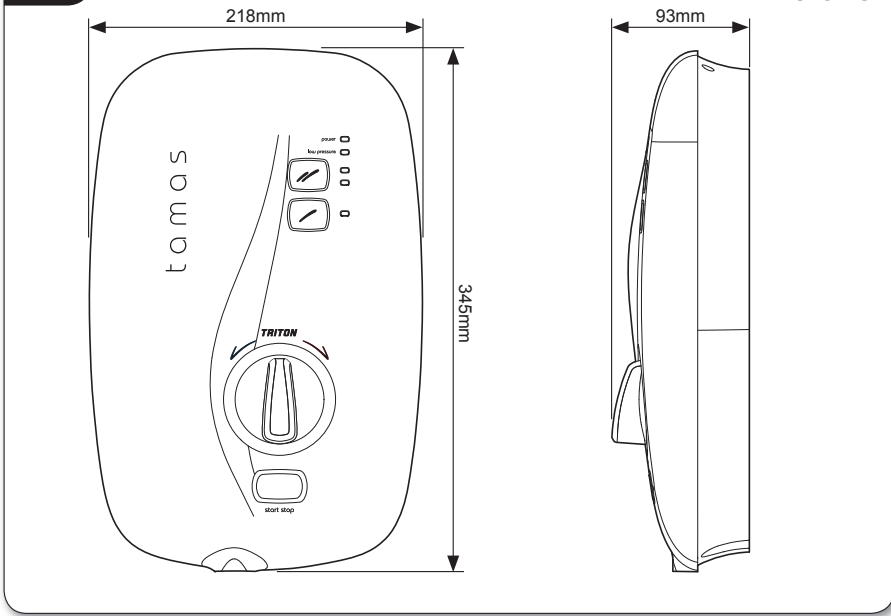
**3.6** Switch off immediately at isolating switch if water ceases to flow during use.

**3.7** Other electrical equipment i.e. extractor fans, pumps must not be connected to the circuits within the unit.

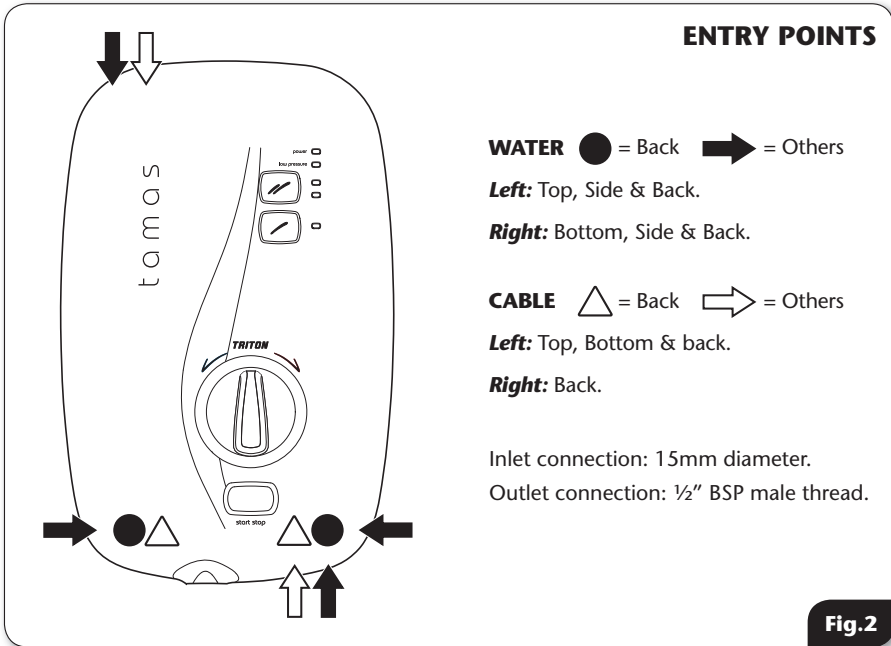
**3.8** Switch off at isolating switch when not in use. This is a safety procedure recommended with all electrical appliances.

**3.9** As with all electrical appliances it is recommended to have the shower and installation checked at least every two years by a competent electrician to ensure there is no deterioration due to age and usage.

**Fig.1**



**ENTRY POINTS**



**Fig.2**

## INTRODUCTION

This book contains all the necessary fitting and operating instructions for your electric shower.

Please read this book thoroughly and familiarise yourself with all instructions before commencing installation.

Please keep it for future reference.

The shower installation must be carried out by a suitably qualified person, in the sequence of this instruction book.

Care taken during the installation will provide a long, trouble-free life from your shower.

## SPECIFICATIONS

### Electrical

Nominal power rating at 240V	Nominal power rating at 230V
<b>8.5kW</b> – (40A MCB rating)	7.8kW – (40A MCB rating)
<b>9.5kW</b> – (40A MCB rating)	8.7kW – (40A MCB rating)

### Materials

Backplate, cover, controls, showerhead – ABS.

Sprayplate – Acetal.

Elements – Minerally insulated corrosion resistant metal sheathing.

### Standards and Approvals

Splashproof rating IPX4.

Complies with the requirements of current British and European safety standards for household and similar electrical appliances.

Complies with requirements of the British Electrotechnical Approvals Board (BEAB)

Meets with Compliance with European Community Directives (CE).

## IMPORTANT ADVICE TO USERS

### IMPORTANT - COMMISSIONING

When first installed the unit will be empty.

It is essential the unit should contain water before the elements are switched on.

As this unit has electronic control, **IT IS VITAL THAT THE COMMISSIONING PROCEDURE IS FOLLOWED.**

Failure to carry out this operation **WILL** result in damage to the unit and **WILL** invalidate the guarantee.

The following points will help you understand how the shower operates:

- a. The electric heating elements operate at a constant rate at your chosen power setting. It is the rate of the water passing through the heater can which determines the water temperature. (The slower the flow, the hotter the water becomes; the faster the flow, the cooler the water).
- b. During winter, the mains water supply will be cooler than in the summer. The flow rate will vary between seasons at any one temperature setting. At different times of the year you may have to adjust the position of the temperature control to maintain your desired temperature setting.
- c. The thermostatic valve minimises variations in shower temperature during mains water pressure changes. If changes in shower temperature are experienced during normal use, it will most likely be caused by the water pressure falling near to or below the minimum level. The drop in pressure may be due to water being drawn off at other points in the house whilst the shower is in use. If pressure drops appreciably below the minimum, the heating elements will automatically cut out.

**NOTE:** *If ever the water becomes too hot and you cannot obtain cooler water, first check that the sprayplate in the showerhead has not become blocked.*

**DO NOT** place items such as soap or shampoo bottles on top of the unit. Liquid could seep through the joint between the cover and backplate.

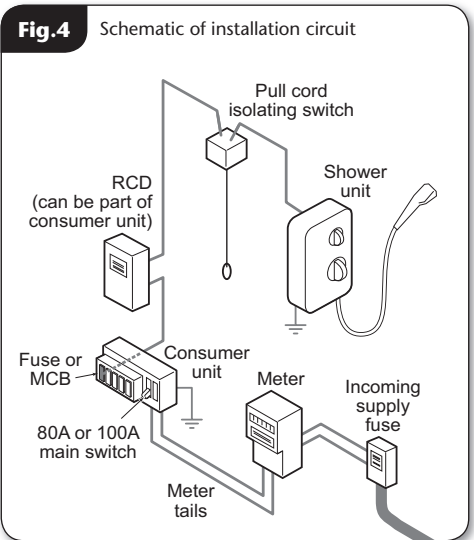
## ELECTRICAL REQUIREMENTS

**WARNING!**  
**THIS APPLIANCE MUST BE EARTHED**

The installation, supply cable and circuit protection must conform with **BS 7671** (IEE wiring regulations) and be sufficient for the amperage required.

The following notes are for guidance only:

- 1** The shower must only be connected to a 230-240V ac supply. If you are installing a shower with a kilowatt rating above 9kW, it is advisable to contact the local electricity supply company.
- 1.1** The electrical rating of the shower is shown on the rating label (**Fig.3**) within the unit.
- 2** Before making any sort of electrical connection within the installation make sure that no terminal is live. If in any doubt, switch off the whole installation at the mains supply and remove the correct fuse.
- 3** The shower must be connected to its own independent electrical circuit. **IT MUST NOT** be connected to a ring main, spur, socket outlet, lighting circuit or cooker circuit.
- 3.1** The electrical supply must be adequate for the loading of the unit and existing circuits.
- 4** Check your consumer unit (main fuse box) has a main switch rating of 80A or above and that it has a spare fuse way which will take the fuse or Miniature Circuit Breaker (MCB) necessary for the shower (**Fig.4**).
- 4.1** If your consumer unit has a rating below 80A or if there is no spare fuse way, then the installation will not be straightforward and may require a new consumer unit serving the house or just the shower.
- 4.2** You will need to contact the local electricity company. They will check the supply and carry out what is necessary.
- 5** For close circuit protection **DO NOT** use a rewirable fuse. Instead use a suitably rated Miniature Circuit Breaker (MCB) or cartridge fuse (**see Table A**).
- 5.1** A 30mA residual current device (RCD) must be installed in all UK electric and pumped shower circuits. This may be part of the consumer unit or a separate unit.



- 6 A 45 amp double pole isolating switch with a minimum contact gap of 3 mm in both poles must be incorporated in the circuit.
- 6.1 It must have a mechanical indicator showing when the switch is in the **OFF** position, and the wiring must be connected to the switch without the use of a plug or socket outlet.
- 6.2 The switch must be accessible and clearly identifiable, but out of reach of a person using a fixed bath or shower, except for the cord of a cord operated switch, and should be placed so that it is not possible to touch the switch body while standing in a bath or shower cubicle. It should be readily accessible to switch off after using the shower.
- 7 Where shower cubicles are located in any rooms other than bathrooms, all socket outlets in those rooms must be protected by a 30mA RCD.
- 8 The current carrying capacity of the cable must be at least that of the shower circuit protection (**see Table B**).
- 8.1 To obtain full advantage of the power provided by the shower, use the shortest cable route possible from the consumer unit to the shower.
- 8.2 It is also necessary to satisfy the disconnection time and thermal constraints which means that for any given combination of current demand, voltage drop and cable size, there is a maximum permissible circuit length.
- 9 The shower circuit should be separated from other circuits by at least twice the diameter of the cable or conduit.
- 9.1 The current rating will be reduced if the cabling is bunched with others, surrounded by thermal loft or wall insulation or placed in areas where the ambient temperature is above 30°C. Under these conditions, derating factors apply and it is necessary to select a larger cable size.

**Table A**

<b>Circuit Protection</b>		
<b>unit rating</b>	<b>MCB</b>	<b>cartridge fuse</b>
7.0kW	30/32A	30A
7.5kW	32A	35A
8.0kW	40A	35A
8.5kW	40A	45A
9.0kW	40A	45A
9.5kW	40/45A	45A
10.5kW	45A	45A

**Table B**

<b>Twin and earth PVC insulated cable Current carrying capacity</b>		
<b>Installed in an insulated wall</b>	<b>In conduit trunking</b>	<b>Clipped direct or buried in a non-insulated wall</b>
6 mm <sup>2</sup> 35A	6 mm <sup>2</sup> 38A	6 mm <sup>2</sup> 47A
10 mm <sup>2</sup> 47A	10 mm <sup>2</sup> 52A	10 mm <sup>2</sup> 64A
16 mm <sup>2</sup> 63A	16 mm <sup>2</sup> 69A	16 mm <sup>2</sup> 85A
<b>Note: Cable selection is dependent on derating factors</b>		

- 9.2 In the majority of installations, the cable will unavoidably be placed in one or more of the above conditions. This being so, it is strongly recommended to use a minimum of 10mm cabling throughout the shower installation.
- 9.3 In any event, it is essential that individual site conditions are assessed by a competent electrician in order to determine the correct cable size and permissible circuit length.



## WATER REQUIREMENTS

The installation must be in accordance with Water Regulations/Bylaws.

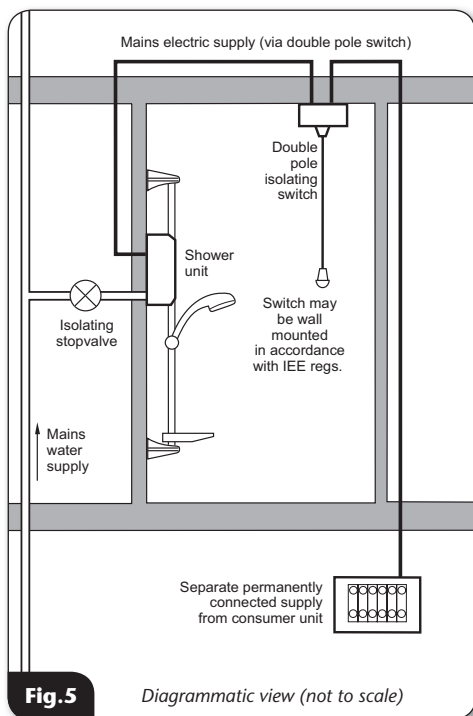
Supply Source.....	Mains pressure cold water only
Minimum running pressure and flow at the shower inlet*	100kPa (1 bar) at 8 litres per minute*
Maximum static pressure .....	1000 kPa (10 bar)
Maximum inlet temperature .....	28°C
Minimum inlet temperature .....	2°C

**Note:** *if the recommended running pressure and flow is not available there will be a noticeable reduction in flow from the showerhead.*

- If it is intended to operate the shower at pressures above the maximum or below the minimum stated, contact Customer Service for advice.

**Fig.5** shows a typical system layout.

**DO NOT use jointing compounds on any pipe fittings for the installation.**



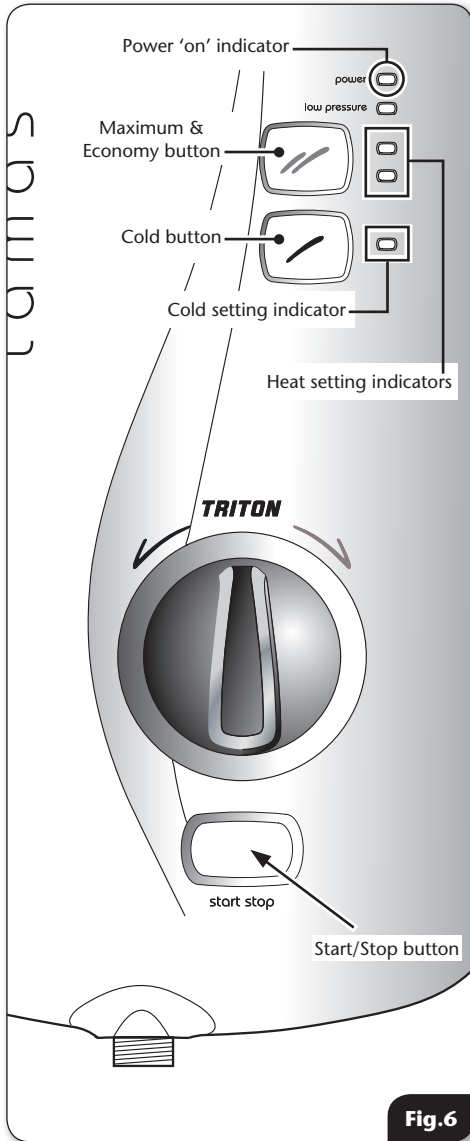


Fig.6

**OPERATING THE SHOWER - (fig.6)**

- When the electricity supply to the shower is switched on at the isolating switch, the "power" indicator will light.

**To start the shower**

- Press the start/stop button and water will flow. After a few seconds, a flow of heated water will be available.

**NOTE:** the shower always starts on the Maximum heat setting.

**To stop the shower**

- The shower can be stopped by pressing the start/stop button. When pressed, the phased shutdown will begin and water will cease to flow after a few seconds.

**Maximum setting - 2 heat indicators lit**

- **Maximum:** The shower will start on Maximum. The two Heat setting indicators will light.

**Economy setting - 1 heat indicators lit**

- **Economy:** Press the 'Maximum/Economy' button once, and one indicator will go out. This shows that the shower is now in 'Economy' mode.

**Cold setting - Cold indicator lit**

- **Cold:** Press the 'Cold' button once, and the cold setting indicator will light. This shows that the shower is now in 'Cold' mode. The cold setting does not provide any heat from the heater can to the incoming water.

**IMPORTANT:** it will take a few seconds for the temperature to stabilise once changes have been made.

**To adjust the shower temperature - Maximum and Economy settings only**

- The water temperature is altered by changing the amount of Hot water from the heater can that is mixed with Cold water from the inlet. This is done by moving the temperature control knob (**fig.7**).
- Adjusting the temperature control will alter the flow of water through the unit.
- After obtaining your preferred showering temperature, the control can be left where it is, as the preferred setting.

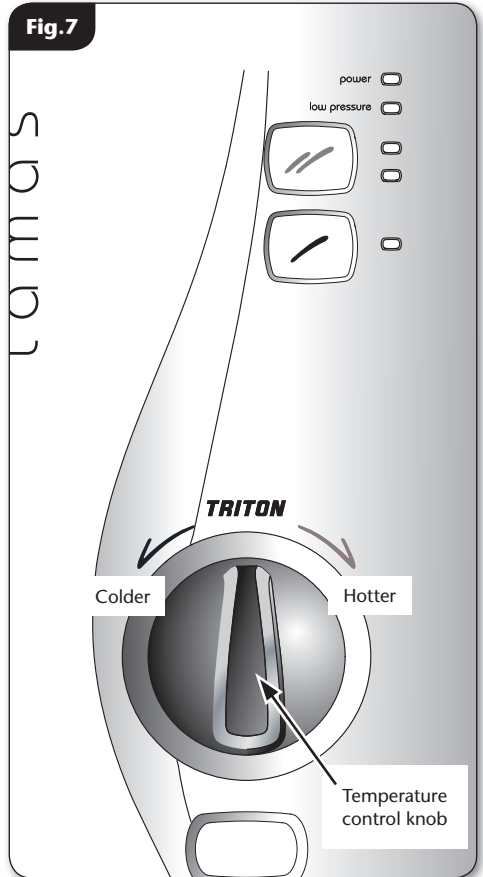
**To decrease the shower temperature**

- Turn the temperature control **anti-clockwise** - this will increase the flow of water through the shower and make the water **colder**.

**To increase the shower temperature**

- Turn the temperature control **clockwise** - this will decrease the flow of water through the shower and make the water **hotter**.
- When the start/stop button is pressed water will continue to flow in order to remove heated water inside the unit (*see phased shutdown process, P5*).
- Water will cease to flow after a few seconds.
- After phased shutdown the unit **MUST** be isolated via the 45amp-isolating switch.

**Note:** *It is advisable that the showering temperature is satisfactory by testing with your hand before stepping under the showerhead. There will always be a time delay of a few seconds between selecting a flow rate and the water reaching the stable temperature for that flow rate.*



**WARNING!**

**This appliance is not intended for use by persons (including children) with reduced physical, sensory or mental capabilities, or lack of experience and knowledge, unless they have been given supervision or instruction concerning use of the appliance by a person responsible for their safety.**

**Children should be supervised to ensure that they do not play with the appliance.**

Fig.8



## OPERATING FUNCTIONS - (fig.8)

### Power on indicator

- When the electricity supply to the shower is switched on at the isolating switch, the power indicator will light up.

### Low pressure indicator

- If this indicator lights, this means the water pressure has fallen below the minimum required for correct operation of the shower, resulting in the low pressure cut-out operating. This switches off power to the heating elements preventing any undue temperature rises. The shower will operate on the COLD setting until there is adequate water pressure which automatically restores the power to the elements.

### Phased shutdown

- In use, every time the **Start/Stop** button is pressed, power is switched off to the elements. Water will continue to flow for a few seconds, flushing out any remaining hot water. This makes sure the next immediate user will not receive a slug of hot water if standing under the showerhead when starting the shower.

### Safety cut-out

- The unit is fitted with an over-temperature safety device. In the event of abnormal operation which could cause unsafe temperatures within the unit, the device will disconnect the heating elements.

**NOTE:** *It will require a visit from a qualified engineer to identify the nature of the fault and replace the safety device.*

## SITING OF THE SHOWER

- Refer to **(fig.9)** for the correct siting of the shower. Position the unit where it will **NOT** be in direct contact with water from the showerhead. Position the shower unit vertically.
- Allow enough room between the ceiling and the shower to access the cover top screws.

**NOTE:** *Water regulations require the showerhead be 'constrained by a fixed or sliding attachment so that it can only discharge water at a point not less than 25mm above the spill-over level of the relevant bath, shower tray or other fixed appliance'. The use of the supplied gel hanger/hose guide will in most cases meet this requirement, but if the showerhead can be placed within a bath, basin or shower tray, then a double check valve, or similar, **MUST** be fitted in the supply pipework to prevent back-flow.*

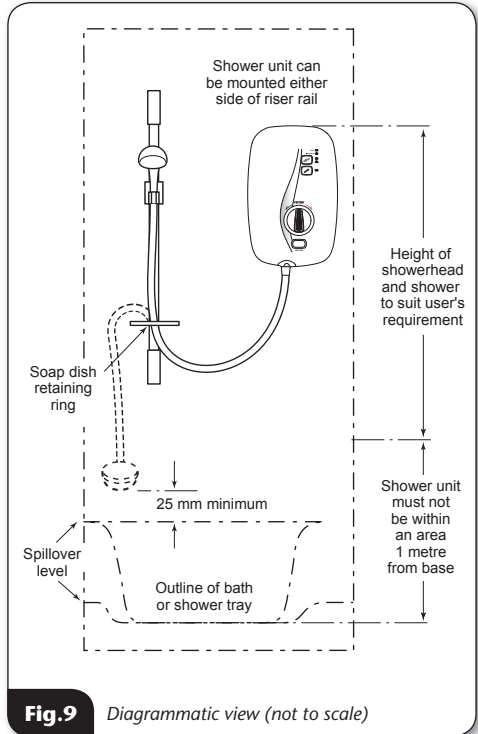
### Pressure relief safety device

- A pressure relief device (PRD) is designed into the shower unit which complies with European standards. The PRD provides a level of appliance protection should an excessive build up of pressure occur within the shower.

**DO NOT** operate the shower with a damaged or kinked shower hose, or a blocked showerhead which can cause the PRD to operate.

- When commissioning, the showerhead must be removed from the flexible hose. Failure to follow this procedure may cause the PRD to operate.
- Make sure the shower is positioned over a bath or shower tray because if the PRD operates, then water will eject from the bottom of the unit. Should this happen, turn off the electricity and water supplies to the shower at the isolating switch and stopvalve. Contact Customer Service for advice on replacing the PRD.

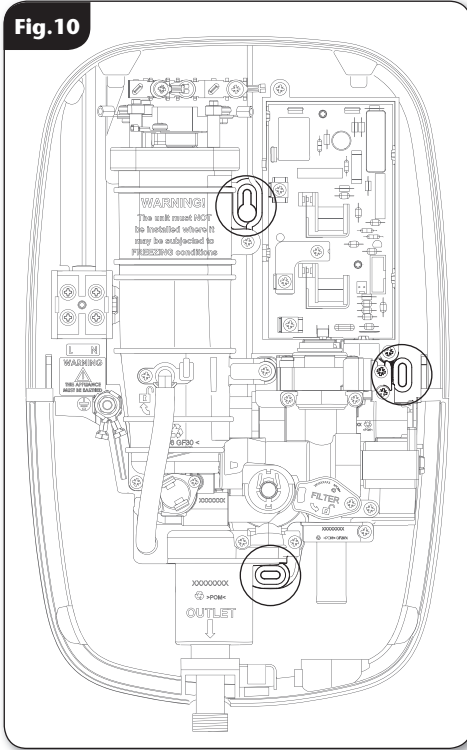
**WARNING!**  
**The shower must not be positioned where it will be subjected to freezing conditions.**



**IMPORTANT:** *If installing onto a tiled wall **ALWAYS** mount the unit on the surface of the tiles. **NEVER** tile up to the unit.*

**IMPORTANT:** *The unit must be mounted on a flat surface which covers the full width and length of the backplate. It is important that the wall surface is flat otherwise difficulty may be encountered when fitting the cover and subsequent operation of the unit may be impaired.*

**Fig.10**



**FITTING THE SHOWER TO THE WALL**

**WARNING!**

**Check there are no hidden cables or pipes before drilling holes for wall plugs. Use great care when using power tools near water. The use of a residual current device (RCD) is recommended when using them.**

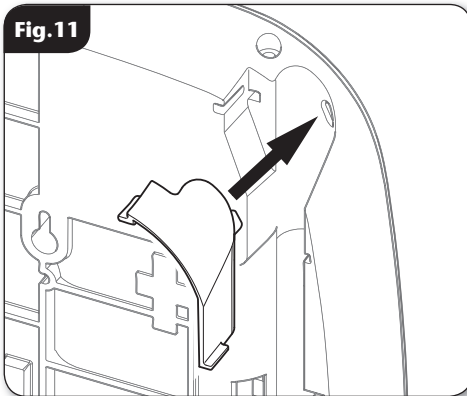
**NOTE:** The control knob is an integral part of the cover - **DO NOT** attempt to remove it.

- Lift the cover from the backplate.
- Entry positions for the mains water and electric cable can be found on **Page 3**.

**NOTE:** Deviations from the designated entry points will invalidate product approvals.

- After choosing the site for the shower, use the backplate to mark the three fixing holes, the position of which are shown in **(fig.10)**.
- If bottom entry has been chosen, fit the appropriate cut-out in the top of the backplate **(fig.11)**.
- If top entry has been chosen, fit the appropriate cut-out in the bottom of the cover trimplate **(fig.12)**.
- Drill and plug the wall. (An appropriate drill bit should be used. If the wall is brick, plasterboard or a soft building block, appropriate wall plugs and screws should be fitted).

**Fig.11**

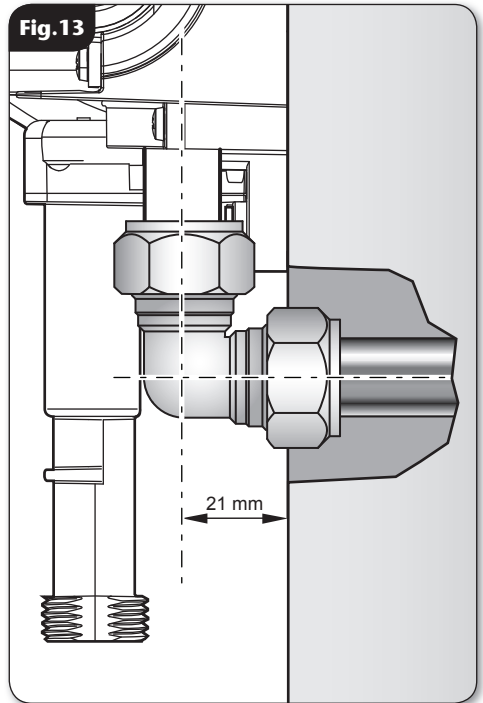
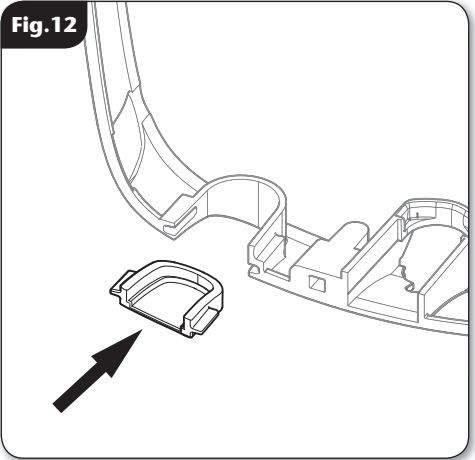


## INSTALLATION - FITTING THE SHOWER TO THE WALL

- If installing a feed pipe from the rear or bottom, the centre of the inlet valve to the wall surface is 21mm (**fig.13**).
- Screw the top fixing screw into position leaving the base of the screw head protruding 6 mm out from the wall.
- Hook the backplate over the top screw and fit the other fixing screw into position.
- **DO NOT** fully tighten the screws at this stage, as the fixing holes are elongated to allow for out of square adjustment after the plumbing connections have been completed.

**NOTE:** If entry is from the rear, the nut of the compression fitting will be partially behind the surface of the wall (**fig.13**). This area must be left clear when plastering over the pipework as to make the nut accessible for future adjustments.

**IMPORTANT:** A suitable sealant should always be used to seal around the incoming pipework to prevent water entering the wall.



### WARNING!

**The outlet of the shower acts as a vent and must not be connected to anything other than the hose and showerhead supplied.**

## PLUMBING CONNECTIONS

### *Plumbing to be carried out before wiring*

- **DO NOT** use jointing compounds on any pipe fittings for the installation.
- **DO NOT** solder fittings near the shower unit as heat can transfer along the pipework and damage components.
- Compression fittings **MUST** be used to connect to the inlet of the shower. (Push-on fittings must **NOT** be used as full engagement cannot be guaranteed).

**NOTE:** *An additional stopvalve (complying with Water Regulations) must be fitted in the mains water supply to the shower as an independent means of isolating the water supply should maintenance or servicing be necessary.*

**IMPORTANT:** *Before completing the connection of the water supply to the inlet of the shower, flush out the pipework to remove all swarf and system debris. This can be achieved by connecting a hose to the pipework and turning on the mains water supply long enough to clear the debris to waste.*

### **Procedure**

- Turn off water supply either at the mains stopvalve or the isolating stopvalve.
- Connect the mains water supply to the inlet of the shower via 15mm copper, stainless steel or plastic pipe using a 15mm x 15mm compression fitting.
- **DO NOT** use excessive force when making these connections.
- Make sure the backplate is square on the wall and tighten the two retaining screws which hold it to the wall.
- Turn on the mains water supply and check for leaks in the pipework connection to the shower.

**NOTE:** *At this stage no water can flow through the unit.*



## ELECTRICAL CONNECTIONS

**IMPORTANT:** Switch off the electricity supply at the mains before proceeding.

- **Fig. 14** shows a schematic wiring diagram.
- The cable entry points are listed on page 3.
- The cable can be surface clipped, hidden or routed via 20mm conduit.

**NOTE:** Conduit entry can only be from rear. Route the cable into the shower unit and connect to the terminal block (**fig. 15**) as follows:

**Earth** cable to terminal marked 

**Neutral** cable to terminal marked **N**

**Live** cable to terminal marked **L**

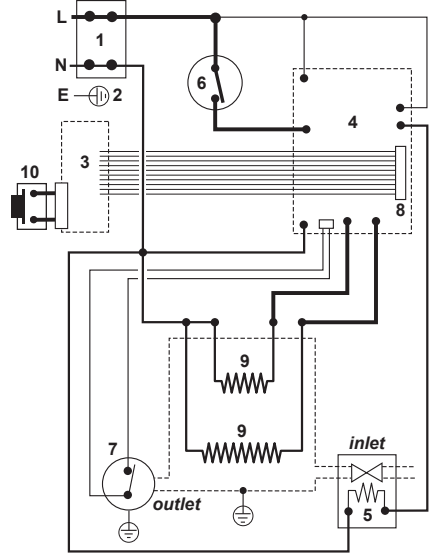
**IMPORTANT:** Fully tighten the terminal block screws and make sure that no cable insulation is trapped under the screws. Loose connections can result in cable overheating.

**NOTE:** The supply cable earth conductor must be sleeved. The outer sheath of the supply cable must be stripped back to the minimum.

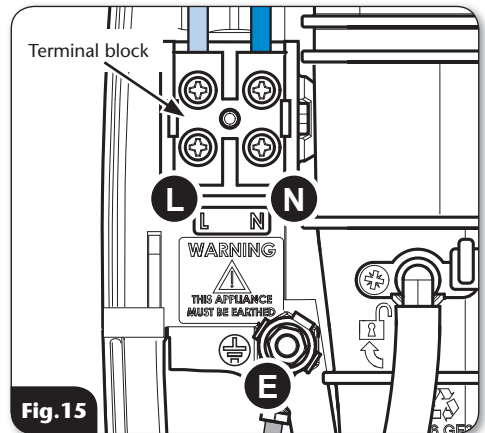
- The supply cable **MUST** be secured either by routing through conduit, in trunking or by embedding in the wall, in accordance with **IEE regulations**.
- The use of connections within the unit, or other points in the shower circuit, to supply power to other equipment i.e. extractor fans, pumps etc. will invalidate the guarantee.
- **DO NOT** switch on the electricity supply until the cover has been fitted.

**NOTE:** The elements on UK models are to 240V specification and will give a lower kW rating if the voltage supply is below 240V.

**Fig. 14**

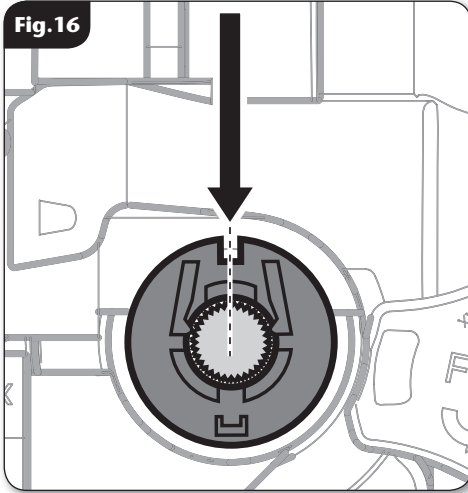


- |                           |                             |
|---------------------------|-----------------------------|
| 1. Terminal block         | 7. Thermal cut-out (outlet) |
| 2. Earth post             | 8. Connector socket         |
| 3. Control PCB            | 9. Element                  |
| 4. Power PCB              | 10. Start/Stop switch       |
| 5. Solenoid Valve         |                             |
| 6. Thermal cut-out (main) |                             |



**Fig. 15**

Fig.16



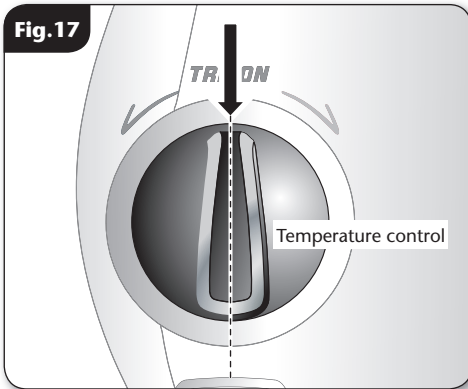
**! VERY IMPORTANT !**

**Before normal operation of the shower, it is essential the following commissioning procedure is completed correctly.**

**COMMISSIONING**

- The first operation of the shower is intended to flush out any remaining unit debris and to make sure the heater unit contains water before the elements are switched on.
- Turn the valve spindle until it is in the position shown in (fig.16)
- Fit the trimplate.
- Turn the temperature control on the cover to the position shown in (fig.17).

Fig.17

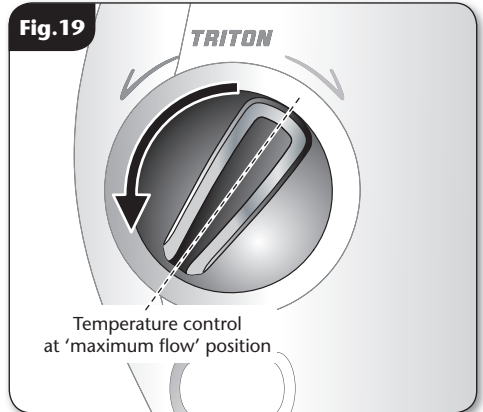
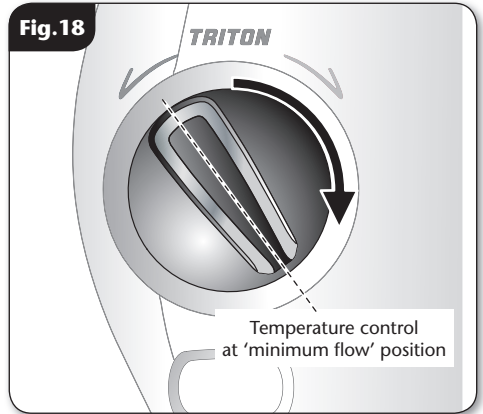


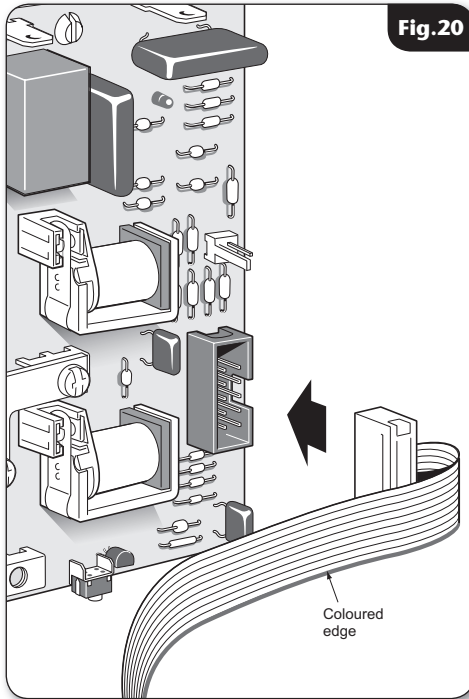
**IMPORTANT**

**DO NOT connect the 10-way ribbon cable at this stage.**

- Offer the cover to the unit.
- Carefully locate the cover tags into the guide pockets on the backplate and make sure the wires are not trapped.
- Guide the cover into position so that the control spindle locates correctly (minor adjustment may be necessary to align the control and spindle).
- Should any difficulty arise, recheck the points above.
- While applying slight pressure to the front cover, secure in position with the three retaining screws.
- Fit the flexible hose to the shower outlet making sure the outlet of the hose is directed to waste. Check the supplied sealing washer is in place.
- **DO NOT attach the showerhead at this stage.**

- **IMPORTANT:** The Temperature control **MUST** now be turned fully **clockwise** to the 'minimum flow' position, as shown in **(fig.18)** - **Failure to do this could make the PRD operate.**
- Turn on the water supply to the shower at the isolating stopvalve. Switch on the electricity supply to the shower at the isolating switch.
- Wait until water starts to flow from the flexible hose.
- Slowly rotate the temperature control fully anticlockwise to the maximum flow position, as shown in **(fig.19)**.
- It will take about thirty seconds for a smooth flow of water to be obtained while air and any debris is being flushed from the shower. When a smooth flow of water is obtained, turn the temperature control from minimum flow to maximum flow and back again several times to release any trapped air from within the unit.
- Once the flushing out has been completed, switch off the electricity to the shower at the isolating switch. The water will cease to flow.
- Unscrew the top and bottom retaining screws again, and lift the cover from the backplate.





### CONNECTING THE PCB CABLE & REPLACING THE COVER

**Important:** Before finally fitting the cover, the following steps must be taken:

- a. Check all plumbing connections are watertight.
  - b. Check terminal block screws are fully tightened.
  - c. Make sure the pipe and cable entering the unit do not prevent the cover locating correctly onto the backplate.
- See (**fig.16 & 17 on page 16**) for the correct positions of the temperature spindle and temperature knob.
  - Attached to the display PCB, inside the cover, is a 10-way ribbon cable. The ribbon cable connector must be plugged into the socket located at the right of the power PCB situated inside the unit (**fig.20**).
  - The cable connector can only be fitted into the socket in one way. The ribbon cable has a coloured edge which is lowermost when correctly fitted to the socket.

**NOTE:** The ribbon cable is preformed to fold flat when the cover is fitted.

#### IMPORTANT - CLEANING

It is recommended that all products are cleaned using warm, soapy water.

**DO NOT** use abrasive or aggressive chemical cleaning products as this may affect the product surface finish and invalidate your guarantee.

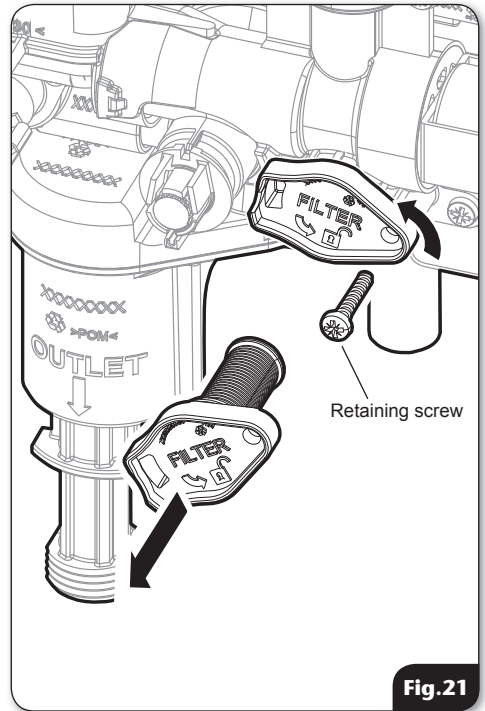
- Guide the cover into position so that the knob spindle locates correctly (minor adjustment may be necessary to align the knob and spindle). Should any difficulty arise, re check the points above.
- While applying slight pressure to the cover, secure in position with the retaining screws.
- Turn the electric supply back on at the isolating switch. The 'Power' indicator will light.
- Water will **NOT** flow until the **Start/Stop** button is pressed.
- However, it is recommended that the water and electric supplies to the shower are turned off while the riser rail kit is being installed.
- The flexible hose can be left attached to the shower outlet. Make sure the supplied sealing washer is fitted.

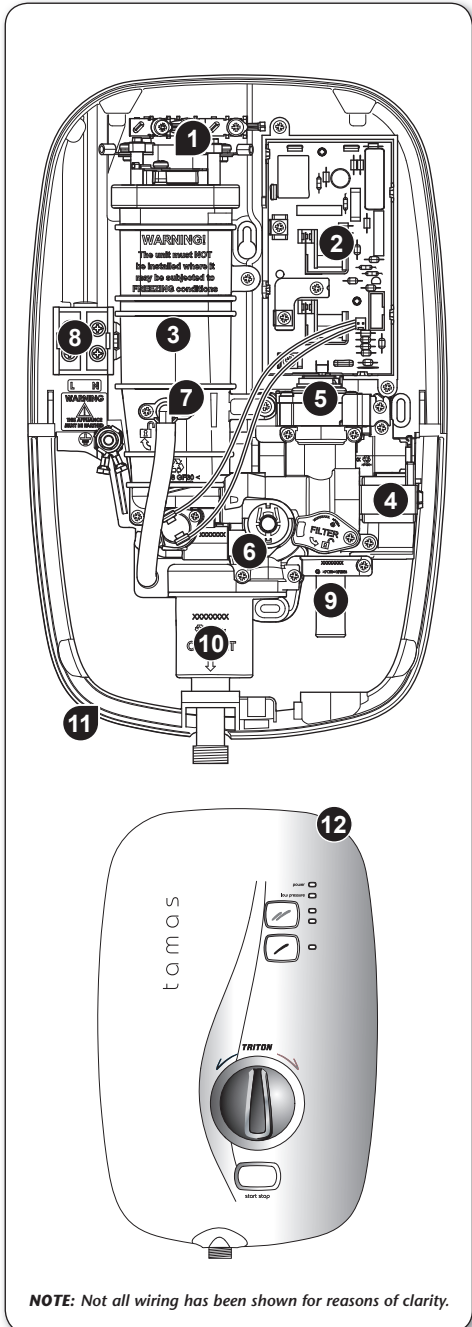
## Instructions for installers and service engineers only

### CLEANING THE FILTER

It is recommended that the filter is periodically cleaned in order to maintain the performance of the shower. It is essential that this operation is carried out by a competent person.

- **SWITCH OFF** the electricity and water supply at the mains.
- The inlet filter is situated inside the water inlet fitting (**fig.21**).
- To gain access to the filter remove the cover.
- Remove the retaining screw.
- Turn the filter fitting anti-clockwise and remove from the housing.
- Inspect the 'O' ring for damage when the filter is removed.
- When cleaning the filter, **DO NOT** use a sharp object, as it will cause damage. It is preferable to use an old toothbrush or similar.
- To reassemble, follow the procedure in reverse.
- Make sure that the sealing 'O' ring is in place and **DO NOT** over tighten the retaining screw on reassembly.





**SPARE PARTS**

- 1. Thermal cut-out.....22012020
- 2. Control PCB.....7073333
- 3. Heater can assembly with NRV  
8.5kW.....83314610  
9.5kW.....83314620
- 4. Solenoid valve .....P26810801
- 5. Pressure switch assembly .....P26810803
- 6. Thermostatic.....P26810807  
Temperature control
- 7. Pressure relief device (PRD).....82800450
- 8. Terminal block & wires .....S26811001
- 9. Water inlet.....7054085
- 10. Water Outlet.....P26810802
- 11. Main Trimplate  
White.....7054071  
Black.....7054075
- 12. Signal wire.....2160611
- 13. Cover ass (including ON/OFF switch & PCB)  
White.....S26820602  
Black.....S26820603
- Bottom pipe trim  
White.....7054073  
Black.....7054077
- Top pipe trim  
White.....7054072  
Black.....7054076
- Heat inlet valve assembly  
8.5kW.....S26810805  
9.5kW.....S26810810

**NOTE:** Not all wiring has been shown for reasons of clarity.

**Important:** Switch off the electricity at the mains supply and remove the circuit fuse before attempting any fault finding inside the unit.

<b>Problem/Symptom</b>	<b>Cause</b>	<b>Action/Cure</b>
<b>1</b> Shower inoperable, no water flow.	<b>1.1</b> Interrupted power supply.	<b>1.1.1</b> Blown fuse or circuit breaker. Check supply Renew or reset fuse or circuit breaker. If it fails again, consult a qualified electrician.
	<b>1.2</b> Unit malfunction.	<b>1.2.1</b> Power cut? Check other appliances and if necessary, contact local Electricity Supply Co.
		<b>1.2.2</b> Have unit checked. Ring Customer Service.
	<b>1.3</b> Thermal cut-out operated.	<b>1.3.1</b> The thermal cut-out safety device has operated. Have the unit checked by a suitably qualified service engineer or contact Customer Service.
<b>2</b> Water too hot.	<b>2.1</b> Temperature control set incorrectly.	<b>2.1.1</b> Alter the temperature control.
	<b>2.2</b> Unit malfunction.	<b>2.2.1</b> Have the unit checked by a suitably qualified service engineer or contact Customer Service.
<b>3</b> Water too cool or cold.	<b>3.1</b> Temperature control set incorrectly.	<b>3.1.1</b> Alter the temperature control.
	<b>3.2</b> Unit malfunction.	<b>3.2.1</b> Have the unit checked by a suitably qualified service engineer or contact Customer Service.
<b>4</b> Water will not stop flowing from unit unless switched off at isolating switch.	<b>4.1</b> Control ribbon cable is not connected to PCB.	<b>4.1.1</b> Remove cover and connect ribbon cable.
<b>5</b> Pressure relief device has operated (water ejected from PRD tube).	<b>5.1</b> Blocked showerhead.	<b>5.1.1</b> Clean sprayplate and then fit a new PRD.
	<b>5.2</b> Twisted/blocked flexible shower hose.	<b>5.2.1</b> Check for free passage through hose. Replace hose if necessary and then fit new PRD.
	<b>5.3</b> Showerhead not removed while commissioning.	<b>5.3.1</b> Fit new PRD. Commission unit with showerhead removed.
<b>6</b> Low Pressure LED ON.	<b>6.1</b> Low pressure condition	<b>6.1.1</b> Insufficient water flow available. 1. Check filter is not blocked. 2. Check water supply to shower is adequate

**NOTE:** *Identify cause of operation before fitting new PRD unit.  
When fitting a new PRD, follow the commissioning procedure.*

**It is advised all electrical maintenance/repairs to the shower  
should be carried out by a suitably qualified person.**

**In the unlikely event of a fault occurring please contact Triton Customer Service.  
DO NOT remove the shower from the installation.**









## UK SERVICE POLICY

In the event of a product fault or complaint occurring, the following procedure should be followed:

1. Telephone Customer Service on **0844 980 0750** having available, your details including post code, the model number and power rating of the product, together with the date of purchase.
2. Based on information given over the telephone, a Triton Customer Service Advisor will attempt to diagnose the fault and confirm whether a site visit from a qualified service engineer is required.
3. All products attended to by a Triton service engineer must be installed in full accordance with the Triton installation guide applicable to the product. *(Every product pack contains an installation guide, however, they can also be bought via our Customer Service Spares Department).*
4. Our engineer will require local parking and if a permit is required this must be available to the engineer on arrival at the call.
5. It is essential that you or an appointed representative (*who must be over 18 years of age*) is present for the duration of the service engineer's visit. If the product is in guarantee you must produce proof of purchase.
6. Where a call under the terms of guarantee has been booked and the failure is not product related (*i.e. scaling and furring, incorrect water pressure, pressure relief device operation or electrical/plumbing installation fault*) a charge will be made. A charge will also be issued if nobody is at home when the service engineer calls or adequate parking/permit is not available.
7. If the product is no longer covered by the guarantee an up front fixed fee will be charged before the site visit.
8. Should proof of purchase not be available on an "in-guarantee" call, or should the service engineer find that the product is no longer under guarantee, the engineer will charge the same fixed price and the customer will be expected to pay the engineer before he leaves. If payment is not made on the day an administration charge will be added to the fixed charge.
9. If a debt is outstanding from a previous visit, or from any other Triton purchase. Triton reserves the right to withhold service until the debt has been settled.
10. Triton takes the health, safety and wellbeing of its employees very seriously and expects customers to treat all staff members with respect. Should any employee feel threatened or receive abuse, either verbally or physically, Triton reserves the right to withhold service and will support the employee with a legal prosecution.

## Replacement Parts Policy

**Availability:** It is the policy of the manufacturer to maintain parts availability for the duration of production and a period of five years thereafter, in accordance with industry standards.

Spare parts are available via our website, **www.tritonshowers.co.uk**, or by telephoning Triton Customer Service Spares Department. Payment should be made by credit/debit card (*excluding American Express or Diners Card*).

Payment can also be made by pre-payment of a pro forma invoice by cheque or money order.

## TRITON STANDARD GUARANTEE

Triton guarantee this product against all mechanical and electrical defects arising from faulty workmanship or materials for a period of two years for domestic use only, from the date of purchase, provided that it has been installed by a competent person in full accordance with the fitting instructions.

Any part found to be defective during this guarantee period we undertake to repair or replace at our option without charge so long as it has been properly maintained and operated in accordance with the operating instructions, and has not been subject to misuse or damage.

This product must not be taken apart, modified or repaired except by a person authorised by Triton. This guarantee applies only to products installed within the United Kingdom and does not apply to products used commercially. This guarantee does not affect your statutory rights.

### What is not covered:

1. Breakdown due to: **a)** use other than domestic use by you or your resident family; **b)** wilful act or neglect; **c)** any malfunction resulting from the incorrect use or quality of electricity, gas or water or incorrect setting of controls; **d)** failure to install in accordance with this installation guide.
2. Repair costs for damage caused by foreign objects or substances.
3. Total loss of the product due to non-availability of parts.
4. Compensation for loss of use of the product or consequential loss of any kind.
5. Call out charges where no fault has been found within the appliance.
6. Call out charges where the water supply cannot be isolated, this includes consequential losses arising from unserviceable supply valves.
7. The cost of repair or replacement of pressure relief devices, showerheads, hoses, riser rails and/or wall brackets, isolating switches, electrical cable, fuses and/or circuit breakers or any other accessories installed at the same time.
8. The cost of routine maintenance, adjustments, overhaul modifications or loss or damage arising therefrom, including the cost of repairing damage, breakdown, malfunction caused by corrosion, furring, pipe scaling, limescale, system debris or frost.

Triton Showers  
Triton Road  
Nuneaton  
Warwickshire CV11 4NR

*Triton is a division of Norcros Group (Holdings) Limited*

**Customer Service:** ☎ **0844 980 0750**

**Trade Installer Hotline:** ☎ **0844 980 0730**

**Fax:** **0844 980 0744**

**www.tritonshowers.co.uk**

**E-mail:** [serviceenquiries@tritonshowers.co.uk](mailto:serviceenquiries@tritonshowers.co.uk)

**Extended Warranty AVAILABLE NOW. Call 0844 980 0740 for more details.**