



Fitting Instructions

Manual Shower Valve

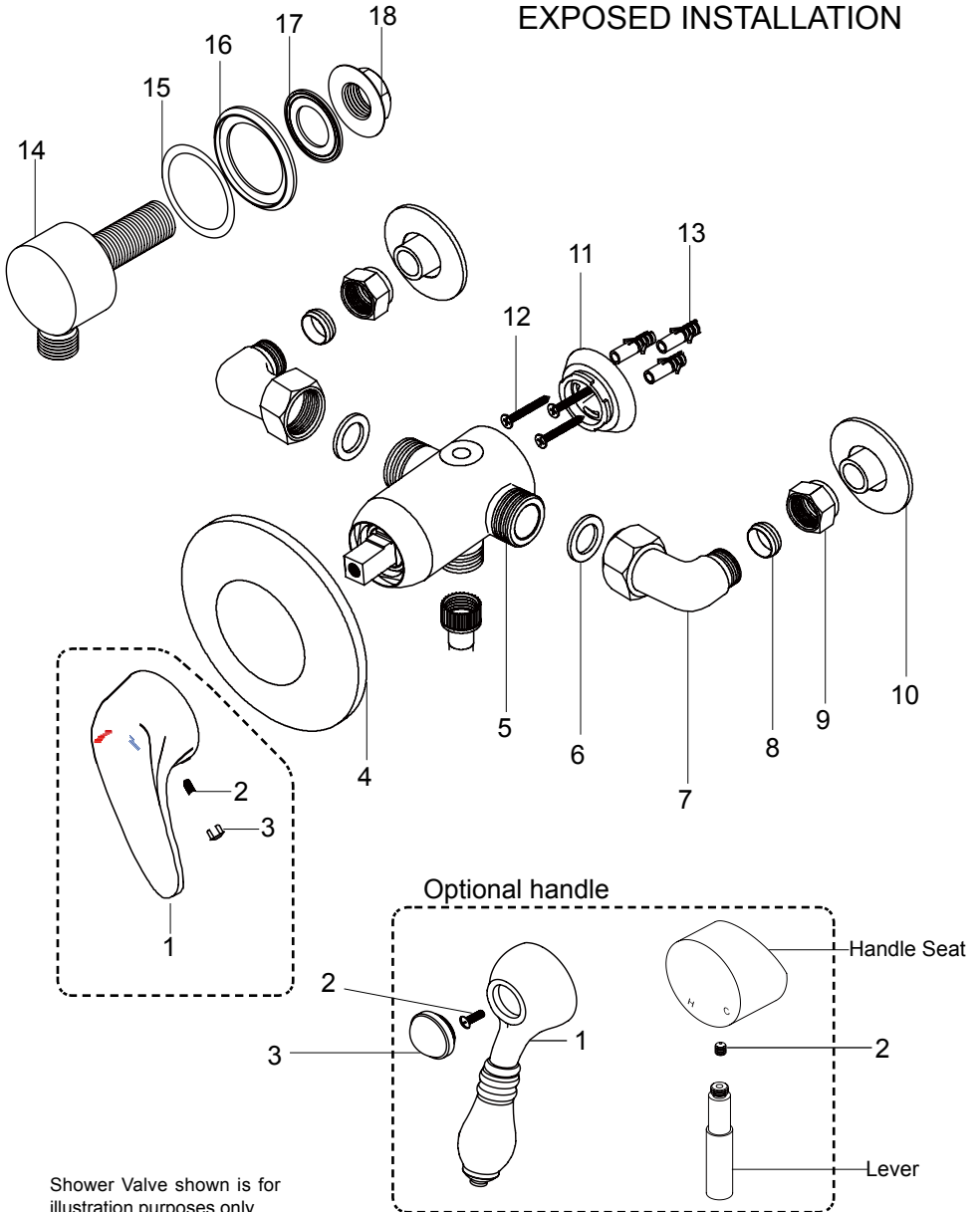


Shower Valves shown is for illustration purposes only.

PARTS SUPPLIED

ITEM	DESCRIPTION	QTY
1	Lever Handle	1
2	Grub Screw	1
3	Indice	1
4	Wall Plate	1
5	Valve Body	1
6	Sealing Washer	2
7	Elbow	2
8	Copper Ring	2
9	Nut	2
10	Flange	2
11	Wall Mounting Plate	1
12	Wall Screws	1SET
13	Wall Plugs	1SET
14	Wall Elbow	1
15	O-Ring	1
16	Wall Trim	1
17	Washer	1
18	Back Nut	1

EXPOSED INSTALLATION



Shower Valve shown is for illustration purposes only.

Select models, require Lever Handle assembly.

In that case:

- a. Place Handle Seat onto valve.
- b. Insert Grub Screw and tighten using an Allen key.
- c. Secure Lever to Handle Seat.

BEFORE YOU START

This product must be connected to water supply in accordance with the Water Supply (Water Fittings) Regulations 1999, and also to comply with UK Building Regulations. If you are in any doubt about these requirements, contact a qualified plumber, your local Water Company or the Water Regulations Advisory Service (WRAS).

- a. Identify all components and check pack contents.
- b. TURN OFF WATER MAINS SUPPLY. The mains stopcock is usually situated where the supply enters the building.
- c. It is also recommended that the water heating arrangements are turned off.
- d. Isolate the hot and cold water supply.

SPECIFICATION

Operating Specification

Hot Water Supply- Max 75 °c

Recommended 50-65 °c

Operating Pressures

Min. 0.3 bar- Max. 7.0 bar

Operating pressures on both hot and cold lines should be as even as possible in order to ensure the maximum efficiency of the mixer.

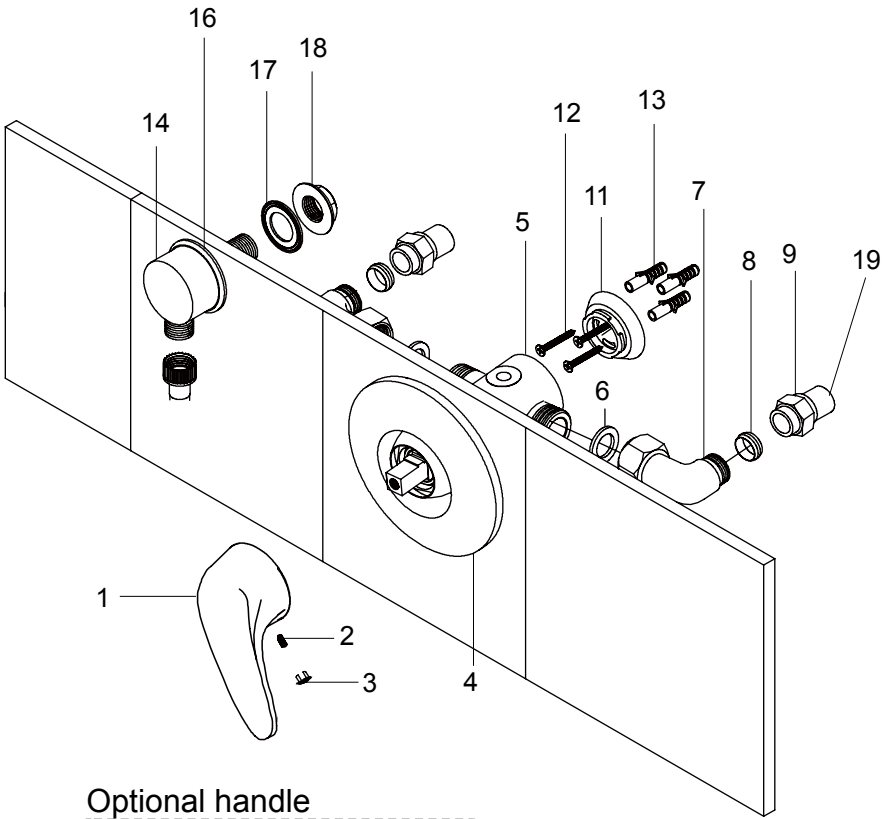
EXPOSED SHOWER VALVE INSTALLATION

IMPORTANT: before fitting the mixer, flush pipes thoroughly. Do not allow dirt, metal particles or shavings to block inlets. Once this is done, turn off water supply.

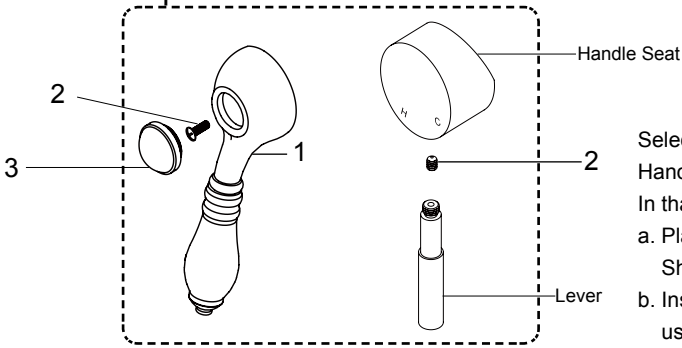
1. The Valve will normally ship with the water outlet to the bottom and the cold inlet to the right (indicated by a blue dot). This means that the Lever Handle will point downwards when shower is off. If you require the outlet from the top, do not simply turn the valve over. To change the outlet position:
 - a. Use an Allen key to unscrew the threaded outlet beneath the Valve Body.
 - b. With a sharp knife, remove the cap from the Valve Body plug (on top of unit).

- c. Remove plug with Allen Key. Place plug in outlet's previous position and vice versa.
 - d. Tighten.
2. Prepare hot and cold inlet pipes with centres 150mm apart, cold supply to the right. For water inlet pipes, leave a minimum of 10mm exposed.
 3. Including Sealing Washers (6), fit Elbows (7) loosely to the Valve Body (5).
 4. Centre Wall Mounting Plate (11) between pipe ends and mark drill holes.
 5. Drill holes and insert Wall Plugs (13).
 6. Position Wall Mounting Plate (11) on wall and insert Wall Screws (12) and tighten, but not fully.
 7. Push Valve Body (5) on to Wall Mounting Plate (11) and twist to engage lugs. It may require some manoeuvring to ensure vertical alignment of the Valve Body.
 8. Remove Valve Body (5) from wall mounting plate and re-align as marked. Then tighten screws Holding Wall Mounting Plate(11) and re-fit Valve Body(5).
 9. Secure Elbows (7) to inlet pipe ends using Nuts (9) and Copper Rings (8).
 10. Place the Lever Handle (1) onto the Valve,to check that it moves freely left and right .When satisfied, fit Grub Screw (2) and tighten with an Allen key.
 11. Insert Indice (3) into Lever Handle.
 12. Certain models require Lever Handle assembly. in that case:
 - a. Place Handle Seat onto Valve
 - b. Insert Grub Screw and tighten using Allen key,
 - c. Attach lever and tighten.
 13. Turn on water supply and check for leaks.

CONCEALED INSTALLATION



Optional handle



- Select models, require Lever Handle assembly.
 In that case:
- Place Handle Seat onto Shower Valve.
 - Insert Grub Screw and tighten using an Allen key.
 - Secure Lever to Handle Seat.

CONCEALED SHOWER VALVE INSTALLATION

IMPORTANT: before fitting the mixer, flush pipes thoroughly. Do not allow dirt, metal particles or shavings to block inlets. Once this is done, turn off water supply.

1. The Valve will normally ship with the water outlet to the bottom and the cold inler to the right (indicated by a blue dot). This means that the Lever Handle will point downwards when shower is off. If you require the outlet from the top, do not simply turn the valve over. To change the outlet position:
 - a. Use an Allen key to unscrew the threaded outlet beneath the Valve Body.
 - b. With a sharp knife,remove the cap from the Valve Body plug (on top of unit).
 - c. Remove plug with Allen Key. Place plug in outlet's previous position and vice versa.
 - d. Tighten.
2. Prepare hot and cold inlet pipes with centres 150mm apart, cold supply to the right. For the mixer, create a hole no greater than 115mm, which is the diameter of the Wall Plate (4). The valve concealing cavity should be a depth of 50-60mm. For water inlet pipes, leave a minimum of 10mm exposed.
3. Including Sealing Washers (6), fit Elbows (7) loosely to the Valve Body(5).
4. Centre Wall Mounting Plate (11) between pipe ends and mark drill holes.
5. Drill holes and insert Wall Plugs (13).
6. Position Wall Mounting Plate(11) on wall and insert Wall Screws (12) and tighten,but not fully.
7. Push Valve Body (5) on to Wall Mounting Plate (11) and twist to engage lugs. It may require some manoeuvring to ensure vertical alignment of the Valve Body.
8. Mark position of Wall Plate (4) on mounting area. Remove Valve Body (5) from wall mounting plate and re-align as marked. Then tighten screws holding Wall Mounting Plate (11) and re-fit Valve Body(5).
9. Place the Wall Plate(4) over the Valve Body(5).Use sealant as necessary, but first check that Lever Handle(1) can oerate without contacting Wall Plate. Place Lever Handle(1) loosely on installed Valve Body and check clearance.
10. Secure Elbows(7) to inlet pipe ends using Nuts (9) and Copper Rings (8).
11. Place the Lever Handle(1) onto the Valve, to check that it moves freely left and right.
When satisfied, fit Grub Screw (2) and tighten with an Allen key.
12. Insert Indice(3) into Lever Handle.
13. Certain models require Lever Handle assembly. In that case:
 - a. Piace Handie Seat onto Valve
 - b. Insert Grub Screw and tighten using Allen key,
 - c. Attach lever and tighten.
14. Turn on water supply and check for leaks.

15. Fit Wall Elbow(14) using instructions overleaf.

WALL ELBOW INSTALLATION (FOR CONCEALED UNITS)

Sealant maybe used during installation

1. Before installation, flush out pipes, and then turn off water supply.
2. Drill a hole in a suitable location into which the Wall Elbow (14) will be fitted.
3. Measure length of required pipe to link mixer to Wall Elbow installation. Place Wall Elbow (14) with Wall Trim (16) into hole. Depending on wall thickness, Wall Trim may be unnecessary.
4. Check required pipe length and cut pipe accordingly. If using compression fitting, ensure that pipe length allows for a minimum of 10mm pipe to be inserted into the Wall Elbow's tail end.
5. If using copper pipes make sure they are bracketed.
6. If using plastic pipes or flexi-tails, the Back Nut (18) must be fitted to hold the Wall Elbow (14) position.
7. Remove the Wall Elbow (14) from the wall,place the O-Ring(15) into the slot behind visible surface. Then, if applicable, fit Wall Trim (16).
8. Place the Wall Elbow tail end through the hole in the wall and secure Back Nut (18).
9. Connect pipe nut including any necessary sealant. Tighten completely.
10. Turn on water supply and check for leaks.

Ensure this product is used in an area of adequate drainage and will not cause water damage.

AFTER CARE

To maintain the appearance of this fitting, ensure it is cleaned only using a clean soft damp cloth.

A solution of warm water and mild liquid detergent may be used where necessary and then rinsed thoroughly. Abrasive cleaners or acidic cleaners **MUST NOT BE USED** under any circumstances. Avoid contact with solvents.