

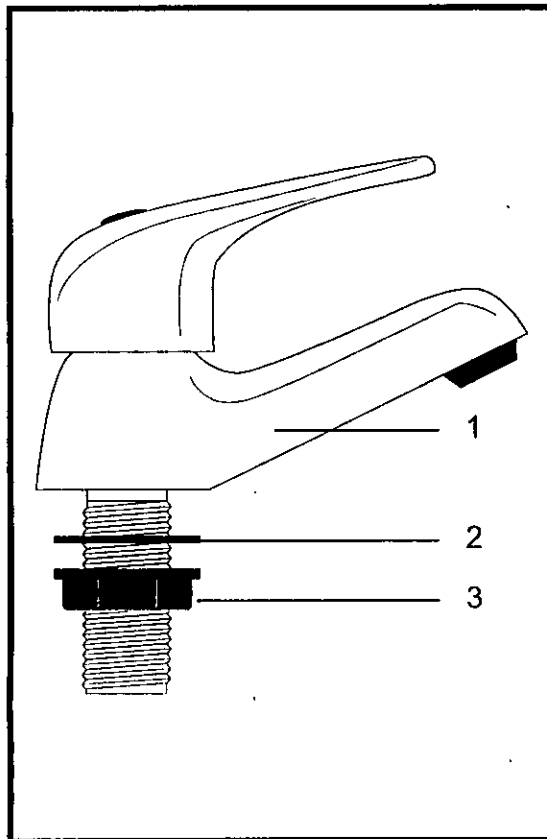
Item	Description	Qty
1	Tap Body	1
2	Washer (Anti-Rotational)	1
3	Fixing Nut	1

Before you start

This mixer is suitable for use at water supply pressures of 0.1 bar (min.) to 7 bar (max.).

If the tap is installed into a low pressure (tank fed) system, the minimum height from the outlet of the nozzle to the underside of the water tank should be at least 2 meters to ensure adequate performance.

This product must be connected to the water supply in accordance with the Water Supply (Water Fittings) Regulations 1999, and also to comply with the UK Building Regulations. If you are in any doubt contact a qualified plumber.



Fitting Instructions

Lever Operated Basin/Bath Tap

Installation

- 1 Fit tap body to basin/bath ensuring that the washer (2) is fitted between the tap body and Basin/Bath.
- 2 Fit fixing nut (3) to the tap body and tighten. Do not over tighten fixing nut (3).
- 3 Connect to water supply using suitable plumbing joints. Note: Hot tap is fitted to the left hand side and the cold is fitted to the right hand side.
- 4 Turn on the mains water supplies and re-fill the system. Check for leaks immediately. It is always advisable at this stage to flush out the system. To do this open both valves fully and allow water to flow for approx 1 minute. This will remove any foreign matter within installation.
- 5 Finally turn on all the water heating arrangements.

After Care

To maintain the appearance of this fitting, ensure it is cleaned only using a clean soft damp cloth. A solution of warm water and mild liquid detergent may be used where necessary and then rinsed thoroughly. Abrasive cleaners or acidic cleaners **MUST NOT BE USED** under any circumstances. Avoid contact with solvents.

- (a) Identify all components and check pack contents.
- (b) **Turn off mains water supply.**
- (c) It is also recommended that the water heating arrangements are turned off.
- (d) Drain the cold and hot water system. It is recommended to ensure complete drainage.