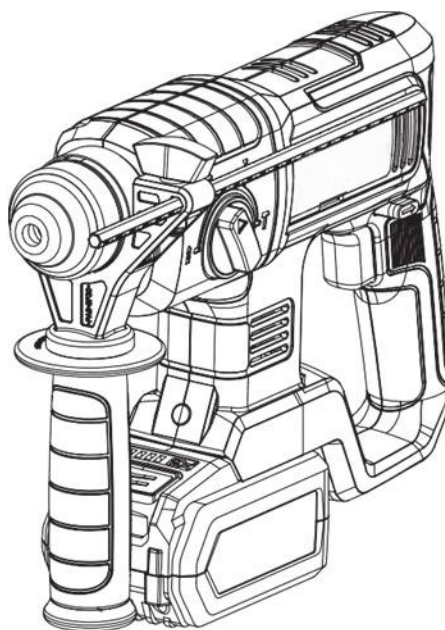




EN

# TITAN



## TTI871SDS



WARNING: Read the instructions before using the product!

# Let's get started...

These instructions are for your safety. Please read through them thoroughly before use and retain them for future reference.



## Getting **started...** 02

<b>Technical and legal information</b>	03
<b>Your product</b>	19
<b>Technical specification</b>	20
<b>Before you start</b>	22



## In more **detail...** 27

<b>Product functions</b>	28
<b>Care and maintenance</b>	35
<b>Troubleshooting</b>	37
<b>Recycling and disposal</b>	38
<b>Guarantee</b>	39
<b>Declaration of conformity</b>	40

## Safety warnings

### General power tool safety warnings



**WARNING!** Read all safety warnings, instructions, illustrations and specifications provided with this power tool. *Failure to follow all instructions listed below may result in electric shock, fire and/or serious injury.*

**Save all warnings and instructions for future reference.**

*The term “power tool” in the warnings refers to your mains-operated (corded) power tool or battery-operated (cordless) power tool.*

#### 1) Work area safety

- a) **Keep work area clean and well lit.** *Cluttered or dark areas invite accidents.*
- b) **Do not operate power tools in explosive atmospheres, such as in the presence of flammable liquids, gases or dust.** *Power tools create sparks which may ignite the dust or fumes.*
- c) **Keep children and bystanders away while operating a power tool.** *Distractions can cause you to lose control.*

#### 2) Electrical safety

- a) **Power tool plugs must match the outlet. Never modify the plug in any way. Do not use any adapter plugs with earthed (grounded) power tools.** *Unmodified plugs and matching outlets will reduce risk of electric shock.*

Getting started...

## Safety warnings

- b) **Avoid body contact with earthed or grounded surfaces, as pipes, radiators, ranges and refrigerators.** *There is an increased risk of electric shock if your body is earthed or grounded.*
  - c) **Do not expose power tools to rain or wet conditions.** *Water entering a power tool will increase the risk of electric shock.*
  - d) **Do not abuse the cord. Never use the cord for carrying, pulling or unplugging the power tool. Keep cord away from heat, oil, sharp edges or moving parts.** *Damaged or entangled cords increase the risk of electric shock.*
  - e) **When operating a power tool outdoors, use an extension cord suitable for outdoor use.** *Use of a cord suitable for outdoor use reduces the risk of electric shock.*
  - f) **If operating a power tool in a damp location is unavoidable, use a residual current device (RCD) protected supply.** *Use of an RCD reduces the risk of electric shock.*
- 3) Personal safety**
- a) **Stay alert, watch what you are doing and use common sense when operating a power tool. Do not use a power tool while you are tired or under the influence of drugs, alcohol or medication.** *A moment of inattention while operating power tools may result in serious personal injury.*
  - b) **Use personal protective equipment. Always wear eye protection.** *Protective equipment such as a dust mask, non-skid safety shoes, hard hat, or hearing protection used for appropriate conditions will reduce personal injuries.*

- c) **Prevent unintentional starting. Ensure the switch is in the off-position before connecting to power source and/or battery pack, picking up or carrying the tool.** *Carrying power tools with your finger on the switch or energising power tools that have the switch on invites accidents.*
  - d) **Remove any adjusting key or wrench before turning the power tool on.** *A wrench or a key left attached to a rotating part of the power tool may result in personal injury.*
  - e) **Do not overreach. Keep proper footing and balance at all times.** *This enables better control of the power tool in unexpected situations.*
  - f) **Dress properly. Do not wear loose clothing or jewellery. Keep your hair, clothing and gloves away from moving parts.** *Loose clothes, jewellery or long hair can be caught in moving parts.*
  - g) **If devices are provided for the connection of dust extraction and collection facilities, ensure these are connected and properly used.** *Use of dust collection can reduce dust-related hazards.*
  - h) **Do not let familiarity gained from frequent use of tools allow you to become complacent and ignore tool safety principles.** *A careless action can cause severe injury within a fraction of a second.*
- 4) Power tool use and care**
- a) **Do not force the power tool. Use the correct power tool for your application.** *The correct power tool will do the job better and safer at the rate for which it was designed.*
  - b) **Do not use the power tool if the switch does not turn it on and off.** *Any power tool that cannot be controlled with the switch is dangerous and must be repaired.*

## Safety warnings

- c) **Disconnect the plug from the power source and/ or remove the battery pack, if detachable, from the power tool before making any adjustments, changing accessories, or storing power tools.** *Such preventive safety measures reduce the risk of starting the power tool accidentally.*
- d) **Store idle power tools out of the reach of children and do not allow persons unfamiliar with the power tool or these instructions to operate the power tool.** *Power tools are dangerous in the hands of untrained users.*
- e) **Maintain power tools and accessories. Check for misalignment or binding of moving parts, breakage of parts and any other condition that may affect the power tool's operation. If damaged, have the power tool repaired before use.** *Many accidents are caused by poorly maintained power tools.*
- f) **Keep cutting tools sharp and clean.** *Properly maintained cutting tools with sharp cutting edges are less likely to bind and are easier to control.*
- g) **Use the power tool, accessories and tool bits etc. in accordance with these instructions, taking into account the working conditions and the work to be performed.** *Use of the power tool for operations different from those intended could result in a hazardous situation.*
- h) **Keep handles and grasping surfaces dry, clean and free from oil and grease.** *Slippery handles and grasping surfaces do not allow for safe handling and control of the tool in unexpected situations.*

## 5) Battery tool use and care

- a) **Recharge only with the charger specified by the manufacturer.** *A charger that is suitable for one type of battery pack may create a risk of fire when used with another battery pack.*
- b) **Use power tools only with specifically designated battery packs.** *Use of any other battery packs may create a risk of injury and fire.*
- c) **When battery pack is not in use, keep it away from other metal objects, like paper clips, coins, keys, nails, screws or other small metal objects, that can make a connection from one terminal to another.** *Shorting the battery terminals together may cause burns or a fire.*
- d) **Under abusive conditions, liquid may be ejected from the battery; avoid contact. If contact accidentally occurs, flush with water. If liquid contacts eyes, additionally seek medical help.** *Liquid ejected from the battery may cause irritation or burns.*
- e) **Do not use a battery pack or tool that is damaged or modified.** *Damaged or modified batteries may exhibit unpredictable behaviour resulting in fire, explosion or risk of injury.*
- f) **Do not expose a battery pack or tool to fire or excessive temperature.** *Exposure to fire or temperature above 130 °C may cause explosion.*
- g) **Follow all charging instructions and do not charge the battery pack or tool outside the temperature range specified in the instructions.** *Charging improperly or at temperatures outside the specified range may damage the battery and increase the risk of fire.*

## Safety warnings

### 6) Service

- a) **Have your power tool serviced by a qualified repair person using only identical replacement parts.** *This will ensure that the safety of the power tool is maintained.*
- b) **Never service damaged battery packs.** *Service of battery packs should only be performed by the manufacturer or authorized service providers.*

### Hammer safety warnings

#### 1. Safety instructions for all operations

- a) **Wear ear protectors.** *Exposure to noise can cause hearing loss.*
- b) **Use auxiliary handle(s), if supplied with the tool.** *Loss of control can cause personal injury.*
- c) **Hold power tool by insulated gripping surfaces, when performing an operation where the cutting accessory may contact hidden wiring.** *Cutting accessory contacting a "live" wire may make exposed metal parts of the power tool "live" and could give the operator an electric shock.*

#### 2. Safety instructions when using long drill bits with rotary hammers

- a) **Always start drilling at low hold the machine firmly and with the bit tip in contact with the workpiece.** *At higher speeds, the bit is likely to bend if allowed to rotate freely without contacting the workpiece, resulting in personal injury.*
- b) **Apply pressure only in direct line with the bit and do not apply excessive pressure.** *Bits can bend, causing breakage or loss of control, resulting in personal injury.*



## Additional safety warnings for rotary hammer

- a) **Use appropriate detectors to determine if utility lines are hidden in the work area or call the local utility company for assistance.** *Contact with electric lines can lead to fire and electric shock. Damaging a gas line can lead to explosion. Penetrating a water line causes property damage.*
- b) **Firmly tighten the auxiliary handle, hold the machine firmly with both hands while working and keep proper footing and balance at all times.** *Ensure the machine is securely guided with both hands.*
- c) **Switch off the power tool immediately if the drill bit jams. Be prepared for high reaction torque that can cause kickback.** *The drill bit jams when:*
  - *the power tool is subject to overload or*
  - *it becomes wedged in the workpiece.*
- d) **Secure the workpiece.** *A workpiece clamped with clamping devices or in a vice is held more secure than by hand.*
- e) **For drilling without impact in wood, metal, ceramic and plastic as well as for screw driving, tools without SDS-plus are used (e.g., drill bits with cylindrical shank).** *For these tools, a keyless chuck or a key type drill chuck (not supplied) are required.*
- f) **Replace a damaged dust protection cap immediately.** *The dust protection cap largely prevents the penetration of drilling dust into the tool holder during operation. When inserting the tool, pay attention that the dust protection cap is not damaged.*
- g) **Prevent dust accumulation at the workplace.** *Dust can easily ignite.*
- h) **Always wait until the machine has come to a complete stop before placing it down.** *A rotating drill bit can cause injury if not carefully controlled.*

## Safety warnings

- i) When using this product it is essential that the following rules for use are followed:
- When drilling it is common that the core / drill bit jams in the material being drilled. This will result in the product trying to rotate around the drill bit and potentially come out of your grip. This product has a safety clutch mechanism. This safety clutch mechanism will be activated and stop the drive to the drill bit BUT only if you resist the initial forces caused by the jamming by securely holding the product with both hands. As this is a very powerful product, these forces are significant.
  - ALWAYS ensure that the auxiliary handle is firmly affixed and secured.
  - The auxiliary and main handle must be firmly held to resist any movement of the product when the core drill or drill bit becomes jammed.
  - ALWAYS use this product when standing on a firm and secure platform or the ground. (DO NOT USE ON LADDERS OR STEPS.)
  - NEVER start the product with the core or drill bit jammed in position.
  - DO NOT stretch to hold the product. Do not work above shoulder height or below knee height, as the product cannot be securely held.
  - NEVER drill holes that are above the declared maximum size in the manual.
  - This product is not designed for core drilling above the maximum drilling capacity in masonry.
  - The drill bit, chuck and the work piece can be very hot while working. Do not touch them before they have cooled down.

## Additional safety warnings for battery pack

- a) Do not place the battery in or near fire, on stoves or other high temperature locations. Do not place the battery in direct sunlight, or use or store the battery inside cars in hot weather.
- b) Remove the battery pack from the product when not in use.
- c) Don't maintain the battery pack on the charger when not in use.
- d) Do not carry or store together with necklaces, hairpins or other metal objects.
- e) If you intend to store a battery for a period without use then store battery at room temperature (19 °C to 25 °C) , charged to about 30 –50% of capacity. When storing for very long periods boost charge the battery once per year to prevent over discharge.
- f) Do not charge or expose battery in a damp or wet location.  
*Following this rule will reduce the risk of electric shock.*
- g) Do not disassemble the battery and avoid mechanical damage to the battery. Risk of short circuit and fumes may be emitted. *Ensure fresh air and seek medical assistance in the event of discomfort.*
- h) When disposing of battery pack, keep the battery pack of different electrochemical systems separate from each other.

The following information applies to professional users only but is good practice for all users:

## ADDITIONAL SAFETY WARNING FOR CONSTRUCTION DUST

## Safety warnings

The updated Control of Substances Hazardous to Health Regulations 1st October 2012 now also targets to reduce the risks associated with silica, wood and gypsum dusts. Construction workers are one of the at-risk groups within this because of the dust that they breathe: silica dust is not just a nuisance; it is a real risk to your lungs!

Silica is a natural mineral present in large amounts in things like sand, sandstone and granite. It is also commonly found in many construction materials such as concrete and mortar. The silica is broken into very fine dust (also known as Respirable Crystalline Silica or RCS) during many common tasks such as cutting, drilling and grinding. Breathing in very fine particles of crystalline silica can lead to the development of:

- Lung cancer
- Silicosis
- Chronic Obstructive Pulmonary Disorder / Chronic obstructive pulmonary disease (COPD)

And breathing in fine particles of wood dust can lead to the development of Asthma. The risk of lung disease is linked to people who regularly breathe construction dust over a period of time, not on the odd occasion.

To protect the lung, the COSHH Regulations sets a limit on the amount of these dusts that you can breathe (called a Workplace Exposure Limit or WEL) when averaged over a normal working day. These limits are not a large amount of dust: when compared to a penny it is tiny – like a small pinch of salt:

This limit is the legal maximum; the most you can breathe after the right controls have been used.

## HOW TO REDUCE THE AMOUNT OF DUST?

- Reduce the amount of cutting by using the best sizes of building products.
- Use a less powerful tool e.g. a block cutter instead of angle grinder.
- Using a different method of work altogether – e.g. using a nail gun to direct fasten cable trays instead of drilling holes first.

Please always work with approved safety equipment, such as those dust masks that specially designed to filter out microscopic particles and use the dust extraction facility at all time.

For more information please see the HSE website:

<http://www.hse.gov.uk/construction> or <http://www.hse.gov.uk/pubns/cis69.pdf>



**WARNING!** Some dust particles created by power sanding, sawing, grinding, drilling and other construction jobs contain chemicals known to cause cancer, birth defects or other reproductive harm. Some examples of these chemicals are:

- Lead from lead-based paints.
- Crystalline silica from bricks and cement and other masonry products.
- Arsenic and chromium from chemically treated timber.

Your risk from these exposures varies, depending upon how often you do this type of work. To reduce your exposure to these chemicals:

- Work in a well-ventilated area.
- Work with approved safety equipment, such as those dust masks that are specially designed to filter microscopic particles.

## Safety warnings

### VIBRATION

The European Physical Agents (Vibration) Directive has been brought in to help reduce hand arm vibration syndrome injuries to power tool users. The directive requires power tool manufacturers and suppliers to provide indicative vibration test results to enable users to make informed decisions as to the period of time a power tool can be used safely on a daily basis and the choice of tool.

**SEE TECHNICAL SPECIFICATIONS IN THE INSTRUCTION MANUAL FOR THE VIBRATION LEVELS OF YOUR TOOL.**

The declared vibration emission value should be used as a minimum level and should be used with the current guidance on vibration.

Calculating the actual period of use can be difficult and the HSE website has further information.

The declared vibration emission value has been measured in accordance with a standardised test and may be used to compare one tool with another.

The declared vibration emission value may also be used in a preliminary assessment of exposure.



**WARNING!** The vibration emission value during actual use of the power tool can differ from the declared value depending on the ways in which the tool is used:

- How the materials are grinded, cut or drilled.
- If the tool is in good condition and well maintained.
- Use correct accessory for the tool and ensure it is sharp and in good condition.
- The tightness of the gripping handles.
- The tool is being used as intended by its design and these instructions.

While working with this power tool, hand/arm vibrations occur. Adopt the correct working practices in order to reduce the exposure to vibration. This tool may cause hand-arm vibration syndrome if its use is not adequately managed.



**WARNING!** Identify safety measures to protect the operator that are based on an estimation of exposure in the actual conditions of use (taking account of all parts of the operating cycle such as the times when the tool is switched off and when it is running idle in addition to the trigger time).

**Note:**

- The use of other tools will reduce the users' total working period on this tool.
- Helping to minimise your vibration exposure risk. ALWAYS use sharp chisels, drills and blades.
- Maintain this tool in accordance with these instructions and keep well lubricated (where appropriate).
- Avoid using tools in temperatures of 10 °C or less. Plan your work schedule to spread any high vibration tool use across a number of days.

## Safety warnings

### Health surveillance

All employees should be part of an employer's health surveillance scheme to help identify any vibration related diseases at an early stage, prevent disease progression and help employees stay in work.

### Vibration and noise reduction

**To reduce the impact of noise and vibration emission, limit the time of operation, use low-vibration and low-noise operating modes as well as wear personal protective equipment.**

Take the following points into account to minimise the vibration and noise exposure risks:

- a) Only use the product as intended by its design and these instructions.
- b) Ensure that the product is in good condition and well maintained.
- c) Use correct attachments for the product and ensure they are in good condition.
- d) Keep tight grip on the handles/grip surface.
- e) Maintain this product in accordance with these instructions and keep it well lubricated (where appropriate).
- f) Plan your work schedule to spread any high vibration tool use across a longer period of time.
- g) Prolonged use of the product exposes the user to vibrations that can cause a range of conditions collectively known as hand-arm vibration syndrome (HAVS) e.g. fingers going white; as well as specific diseases such as carpal tunnel syndrome. To reduce this risk when using the product, always wear protective gloves and keep your hands warm.



## Emergency

Familiarise yourself with the use of this product by means of this instruction manual. Memorise the safety directions and follow them to the letter. This will help to prevent risks and hazards.

- a) **Always be alert when using this product, so that you can recognise and handle risks early.** *Fast intervention can prevent serious injury and damage to property.*
- b) **Switch the product off and remove the battery pack if there are malfunctions.** *Have the product checked by a qualified professional and repaired, if necessary, before you operate it again.*

## Residual risks

Even if you are operating this product in accordance with all the safety requirements, potential risks of injury and damage remain. The following dangers can arise in connection with the structure and design of this product:

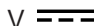


- a) Health defects resulting from vibration emission if the product is being used over long periods of time or not adequately managed and properly maintained.
- b) Injuries and damage to property due to broken cutting attachments or the sudden impact of hidden objects during use.
- c) Danger of injury and property damage caused by flying objects or poor power tool accessories.



**WARNING!** This product produces an electromagnetic field during operation! This field may under some circumstances interfere with active or passive medical implants! To reduce the risk of serious or fatal injury, we recommend persons with medical implants to consult their doctor and the medical implant manufacturer before operating this product!

## Symbols

On the product, the rating label and within these instructions you will find among others the following symbols and abbreviations. Familiarise yourself with them to reduce hazards like personal injuries and damage to property.

V 	Volt, (direct current voltage) mAh	Milliampere per hour
/min or min <sup>-1</sup>	Per minute	°C
g	Gram	kg
mm	Millimetre	m
cm	Centimeter	n <sub>0</sub>
dB(A)	Decibel (A-rated)	m/s <sup>2</sup>
	Lock / to tighten or secure.	



Read the instruction manual.



Note / Remark.



Caution / Warning.

yyWxx

Manufacturing date code; year of manufacturing (20yy) and week of manufacturing (Wxx)



Wear hearing protection.



Wear eye protection.



Wear a dust mask.



Wear protective gloves.



Wear protective, slip-resistant footwear.



Switch the product off and remove battery pack before assembly, cleaning, adjustments, maintenance, storage and transportation.



WEEE symbol. Waste electrical products should not be disposed of with household waste. Please recycle where facilities exist. Check with your Local Authority or local store for recycling advice.



Crossed out dust bin. Batteries and battery packs should not be disposed of with household waste. Please recycle where facilities exist. Check with your Local Authority or local store for recycling advice.



Do not dispose of battery packs in rivers or immerse in water.



Do not dispose of battery packs in fire. They will explode and cause injury.

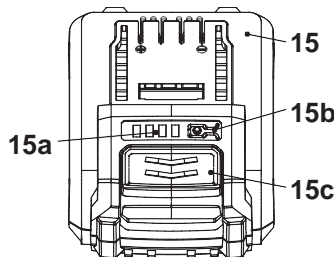
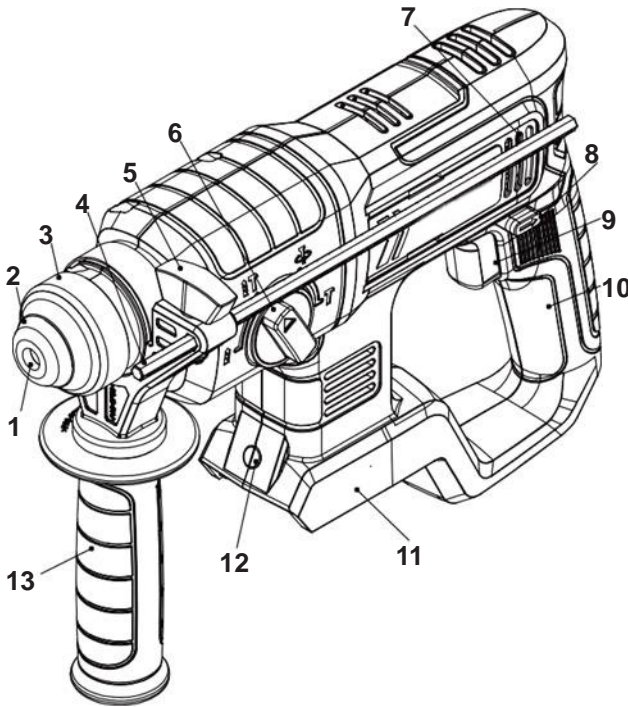


Do not expose battery packs to heat in excess of 45 °C.  
Do not charge or store the battery pack in temperatures below 0 °C and above 45 °C.



The product complies with the applicable European directives and an evaluation method of conformity for these directives was done.  
UK Conformity Assessed.

## Your product



Getting started...

## Your product

- |                                     |                          |                                |
|-------------------------------------|--------------------------|--------------------------------|
| 1. SDS-Plus drill chuck             | 9. On/off switch         | 15. Battery pack*              |
| 2. Dust protection cap              | 10. Main handle          | a) Battery capacity indicators |
| 3. Chuck sleeve                     | 11. Battery docking port | b) Battery capacity button     |
| 4. Depth stop                       | 12. LED work light       | c) Release button              |
| 5. Wing nut                         | 13. Auxiliary handle     |                                |
| 6. Mode selector switch             | 14. Collar               |                                |
| 7. Air vents                        |                          |                                |
| 8. Forward/reverse rotation control |                          |                                |



**NOTE:** \*: This may not be included in the supply scope.

## Technical specifications

### Hammer drill

- > **Rated voltage** : 18 V
- > **Rated no load speed  $n_0$**  : 0-1420 min<sup>-1</sup>
- > **Impact rate** : 0-4500 min<sup>-1</sup>
- > **Chuck type** : SDS-Plus
- > **Drilling capacity**
  - > **into wood** : Ø 25 mm
  - > **into metal** : Ø 13 mm
  - > **into concrete** : Ø 16 mm

**Weight (without battery pack)** : approx. 2.6 kg

### Battery pack(may not included)

- > **Model no.** : TTI803BAT
- > **Cell** : Li-Ion, 10 pcs
- > **Capacity** : 5000mAh
- > **Voltage** : 18 V
- > **Weight** : approx. 0.4 kg

### For use with battery pack and charger as below:

- > **Battery pack model** : TTI802BAT / TTI803BAT
- > **Charger model** : TTB805CHR
- > **Ambient temperature range for tool and battery use** : -10 °C to 40 °C

**Sound values****> Hammer drilling into**

**concrete  $L_{pA}$**  : 89.03 dB(A)

**> Percussion hammer mode  $L_{pA}$**  : 89.84 dB(A)

**> Hammer drilling into**

**concrete  $L_{WA}$**  : 100.03 dB(A)

**> Percussion hammer mode  $L_{WA}$**  : 103.84 dB(A)

**> Uncertainty  $K_{pA}, K_{WA}$ :** : 3 dB(A)

**Hand arm vibration values****> Hammer drilling into concrete**

**> Main handle  $a_{h,HD}$**  : 16.161 m/s<sup>2</sup>

**> Auxiliary handle  $a_{h,HD}$**  : 14.303 m/s<sup>2</sup>

**> Chiselling****> Main handle**

**>  $a_{h,NL}$**  : 5.884 m/s<sup>2</sup>

**>  $a_{h,CH}$**  : 8.229 m/s<sup>2</sup>

**>  $a_{h,Cheq}$**  : 7.816 m/s<sup>2</sup>

**> Auxiliary handle**

**>  $a_{h,NL}$**  : 4.970 m/s<sup>2</sup>

**>  $a_{h,CH}$**  : 5.169 m/s<sup>2</sup>

**>  $a_{h,Cheq}$**  : 5.130 m/s<sup>2</sup>

**> Uncertainty  $K$**  : 1.5 m/s<sup>2</sup>

The sound intensity level for the operator may exceed 80 dB(A) and ear protection measures are necessary.

The declared vibration total values and the declared noise emission values have been measured in accordance with a standard test method (EN 62841-1 / EN 62841-2-6) and may be used for comparing one tool with another; they may also be used in a preliminary assessment of exposure.



**WARNING!** The vibration and noise emissions during actual use of the power tool can differ from the declared values depending on the ways in which the tool is used especially what kind of workpiece is processed; and need to identify safety measures to protect the operator that are based on an estimation of exposure in the actual conditions of use (taking account of all parts of the operating cycle such as the times when the tool is switched off and when it is running idle in addition to the trigger time).

## Rating label explanation

### TTI871SDS = Model number

TT = TITAN(brand)

I = 18 V Li-ion

871 = Serial number

SDS= Rotary hammer

## Unpacking

1. Unpack all parts and lay them on a flat, stable surface.
2. Remove all packing materials and shipping devices if applicable.
3. Make sure the delivery contents are complete and free of any damage. If you find that parts are missing or show damage do not use the product but contact your dealer. Using an incomplete or damaged product represents a hazard to people and property.
4. Ensure that you have all the accessories and tools needed for assembly and operation. This also includes suitable personal protective equipment.



**WARNING!** The product and the packaging are not children's toys! Children must not play with plastic bags, sheets and small parts! There is a danger of choking and suffocation!

## You will need

### (items not supplied)

Suitable personal protective equipment

Grease for cooling drill bits / chisels

Suitable drill bits / chisels

Keyless or keyed drill chuck with SDS-plus shank (for wood and metal drilling)

### (items supplied)

Depth stop (4)

Auxiliary handle(13)



**NOTE:** The accessories required depend on the intended application. Ask your dealer for advice.

## Assembly



**WARNING!** The product must be fully assembled before operation! Do not use a product that is only partly assembled or assembled with damaged parts!



Follow the assembly instructions step-by-step and use the pictures provided as a visual guide to easily assemble the product! Do not connect the battery pack (15) to the product before it is completely assembled!

### Auxiliary handle



**WARNING!** For all work with the machine, the auxiliary handle (13) must always be firmly mounted.



Do not make any changes or modifications to the auxiliary handle (13). Do not continue to use the power tool when the auxiliary handle (13) is damaged.

The auxiliary handle (13) is already preassembled on the collar (14). If not, please follow below steps:

1. Twist the handle of the auxiliary handle (13) anticlockwise to loosen the clamp (Fig. 1, step 1).
2. Align and pass the ring of auxiliary handle (13) over the chuck to the collar (14) (Fig. 1, step 2). Set the auxiliary handle (13) to a suitable position for the task.
3. Twist the handle of the auxiliary handle (13) clockwise to firmly clamp it. (Fig. 1, step 3).

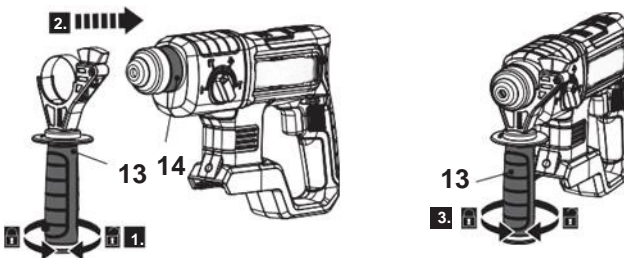


Fig. 1

## Assembly

### Depth stop

The depth stop (4) helps to limit the drilling depth.

1. Turn the wing nut (5) anticlockwise until the depth stop (4) can be inserted (Fig. 2, step 1).
2. Insert the depth stop (4) through the hole of the auxiliary handle (13) (Fig. 2, step 2).
3. Turn the wing nut (5) clockwise to firmly clamp the depth stop (4). (Fig. 2, step 3).

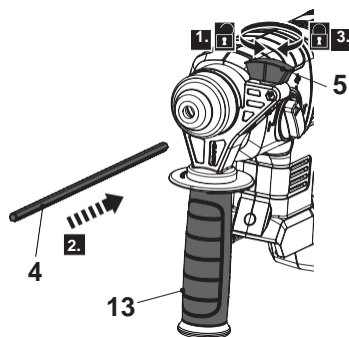


Fig. 2

### Drill bits + chisels

Different drill bits / chisels can be used with this product depending on the workpiece material and application required.

For drill bits and chisels with SDS-plus shank, a SDS-plus drill chuck is ready for use.

For HSS drill bits with cylindrical shank, a keyless or keyed drill chuck with SDS-plus shank are required.



**WARNING!** Always use drill bits according to the intended use!

For example, never use a drill bit intended for working on wood for working on masonry or vice versa!



Observe the technical requirements of this product (see chapter "Technical specifications") when purchasing and using drill bits!

Some drill bits are very sharp and become hot during use! Handle them carefully! Wear protective gloves when handling drill bits in order to avoid injuries like burns and cuts!

### Inserting

1. Clean and lightly grease the shank end of the SDS-plus drill bit / chisel.
2. Insert the SDS-plus drill bit / chisel with a twist motion all the way to the stop into the drill chuck (1) and find the engaged position (Fig. 3).

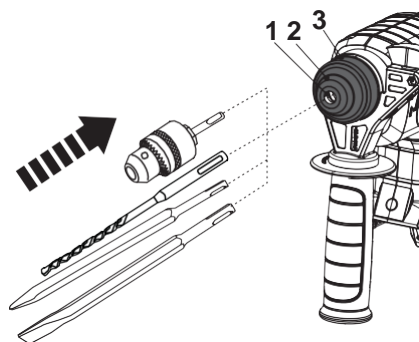


Fig. 3





**NOTE:** When inserting the drill bit / chisel, take care that the dust protection cap (2) is not damaged. Have a damaged dust protection cap (2) replaced by a qualified specialist.

3. The automatic chuck sleeve (3) allows for quick assembling of drill bit / chisel.
4. Pull the SDS-plus drill bit / chisel to verify it sits securely in the drill chuck (1).

### Replacing / Removing

1. Pull the chuck sleeve (3) backward and hold it in position (Fig. 4, step 1).
2. Remove the drill bit / chisel from the drill chuck (1) (Fig. 4, step 2).
3. Insert a new one as described above if desired.

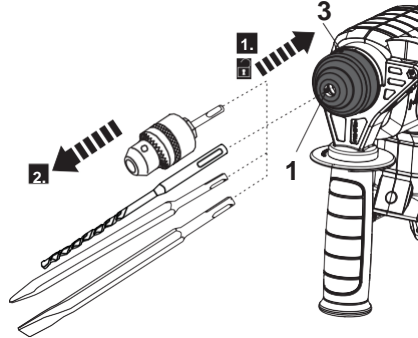


Fig. 4

## Battery pack

### Attaching / releasing the battery pack

1. Align the sliding slots of the battery pack (15) with the battery docking port (11) and slide the battery pack (15) in to attach it. Ensure it clicks in place (Fig. 5).
2. To remove the battery pack (15), press down the release button (15c) (Fig. 6, step 1) and pull out the battery pack (15) from the battery docking port (11) (Fig. 6, step 2).

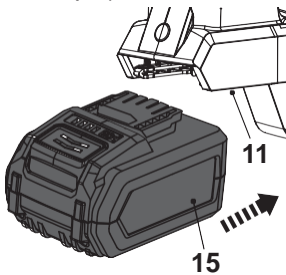


Fig. 5

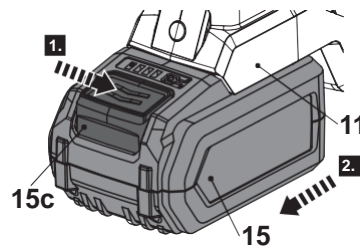


Fig. 6

Getting started...

## Battery pack

### Charging the battery pack

The battery pack (15) for this product has been shipped in a low charge condition. Charge it fully before first use.

Refer to the charger's instruction manual for the details.

### Battery capacity indicators

The battery pack (15) is equipped with the battery capacity indicators (15a) which are used to give an indication of the battery pack's remaining capacity. Press the battery capacity button (15b) to check battery capacity (Fig. 7). The LEDs will stay lit for approximately 10 seconds.

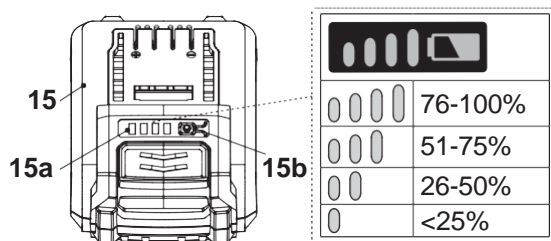


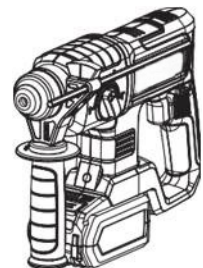
Fig. 7



## In more detail...

<b>Product functions</b>	28
<b>Care and maintenance</b>	35
<b>Troubleshooting</b>	37
<b>Recycling and disposal</b>	38
<b>Guarantee</b>	39
<b>Declaration of conformity</b>	40

In more detail....



## Intended use

This cordless rotary hammer is designated with a rated voltage of 18 V . It is designed only to be used with the battery pack which is listed in the chapter of "Technical specifications".

The product is intended for hammer drilling or chiselling work into concrete, brick and masonry when equipped with drill bit / chisel with a SDS-Plus shank. It is also suitable for coarse drilling operations into wood, wood similar materials, plastic and metal when using an optional keyless / keyed drill chuck (not provided).

The product must not be used on materials that are harmful to health.

For safety reasons it is essential to read the entire instruction manual before first operation and to observe all the instructions therein.

This product is intended for private domestic use only, not for any commercial trade use. It must not be used for any purposes other than those described.

## Switching on/off

Ensure the forward / reverse rotation control (8) is not on centre lock position.

1. Switch the product on by pressing the on/off switch (9) (Fig. 8).
2. Switch the product off by releasing the on/off switch (9).

The on/off switch (9) is fitted with a brake function which stops the drill chuck (1) immediately when you quickly release the on/off switch (9).

The on/off switch (9) is also fitted with a built-in speed control. The speed is controlled by how far the trigger switch is depressed.

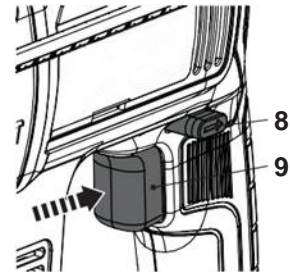


Fig. 8



## Switch lock

The switch trigger of on/off switch (9) can be locked at the OFF position. This helps to reduce the possibility of accidental starting when not in use.

Move the forward / reverse rotation control (8) to the centre position to lock the On/Off switch (9) and avoid accidental starting (Fig. 9).

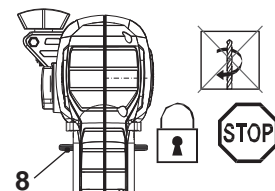


Fig. 9

## Forward / reverse rotation control

Change the rotational direction from forward to reverse by pressing the forward / reverse rotation control (8).



**WARNING!** Only change the rotational direction when the product is switched off and has come to a complete stop!  
Always ensure that the forward / reverse rotation control (8) is adjusted to the correct position depending on the intended operation!  
Always push the forward / reverse rotation control (8) as far as it will go! Do not use the product with the control switch in any other position!

1. Move the forward / reverse rotation control (8) to the left (as seen from the operator's position) in order to use the product in a clockwise rotational mode (Fig. 10).
2. Move the forward / reverse rotation control (8) to the right (as seen from the operator's position) in order to use the product in anticlockwise rotational mode (Fig. 11).

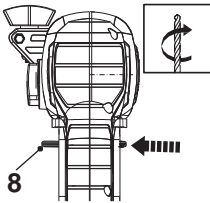


Fig. 10

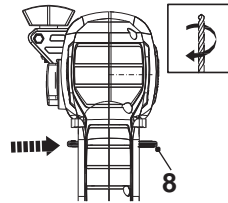


Fig. 11

## Mode selector switch

Select the operation mode with the mode selector switch (6) before operation. This product can be operated either in drilling, hammer drilling or chiselling mode.



**WARNING!** Only change the mode settings when the product is switched off and has come to a complete stop!  
Always ensure that the mode selector switch (6) is adjusted to the correct position depending on the intended operation!  
Do not use the product with mode selector switch (6) in any intermediate position!



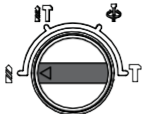






**WARNING!** Always set the mode selector switch (6) according to the required operation! Do not attempt to use a keyed chuck for SDS hammer drilling!

In more detail...

## Mode selector switch

Rotate the mode selector switch (6) to align its indicator with the icon of the drilling / hammer drilling / chiselling on the housing, depending on the function you desired.

Do not use the product if the mode selector switch (6) is in any intermediate position.

Function	mode selector switch (6)	Drill chuck	Application
Drilling mode		 (Not provided)	Drill in wood, metal and plastic.
SDS hammer drilling mode			Hammer drilling in brick, concrete and masonry.
SDS chiselling			Chiselling in brick, concrete and masonry.
Chisel angle adjust		Adjust the angle of the chisel head. This mode is not to be used for drilling / chiseling.	

## Auxiliary handle

Adjust the auxiliary handle (13) to appropriate position before operation.

1. Turn the auxiliary handle (13) anticlockwise to loosen it (Fig. 12, step 1).
2. Rotate the auxiliary handle (13) along with the collar (14) to a desired position (Fig. 12, step 2).
3. Firmly clamp the auxiliary handle (13) before each use (Fig. 12, step 3).

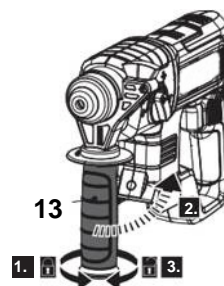


Fig. 12



**WARNING!** Never operate the product without the auxiliary handle (13) to avoid accidents and injury!

Always ensure that the auxiliary handle (13) is attached and secured correctly before operation!

The auxiliary handle (13) provides better control of the product in case of sudden jams during use when considerable forces are released!

## Depth stop

Set the drilling depth with the depth stop (4) to appropriate position before operation.

1. Turn the wing nut (5) anti-clockwise to loosen it (Fig. 13, step 1).
2. Firstly align the tip of the depth stop (4) with the drill tip, then pull the depth stop back by the required drilling depth (Fig. 13, step 2).
3. Turn the wing nut (5) clockwise to fix the depth stop (4) in position (Fig. 13, step 3).

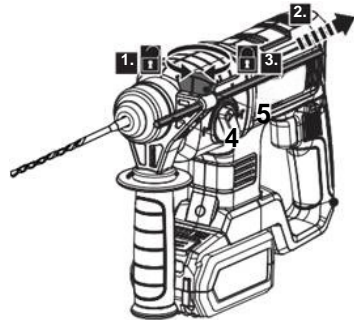


Fig. 13

## Automatic work light

The LED work light (12) will illuminate when the trigger of on/off switch (9) is depressed slightly, and will automatically turn off a short while after the trigger of on/off switch (9) is released (Fig. 14). This provides additional light on the surface of the workpiece for operation in lower light situations.

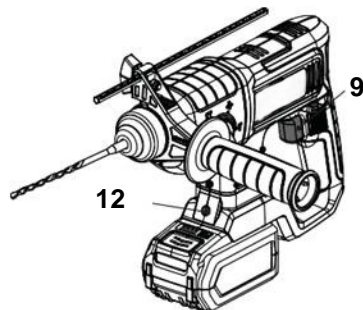


Fig. 14



**WARNING!** Do not look directly into the LED work light (12). The emitted light is very bright.

In more detail...

## Torque limiter

The product is designed with a clutch unit. The torque limiter will be activated automatically when the product reaches a certain torque. In this case, the attachment stops working as soon as the torque limiter turns on. Release the on/off switch and remove the attachment from the drill chuck to avoid wear or damage.

## General operation

1. Check the product, its battery pack and charger as well as accessories for damage before each use. Do not use the product if it is damaged or shows wear.
2. Double check that accessories or attachments are properly fixed.
3. Always hold the product firmly by its handles (10, 13) with both hands. Keep the handles dry to ensure safe support.
4. Ensure that the air vents are always unobstructed and clear. Clean them if necessary with a soft brush. Blocked air vents may lead to overheating and damage the product.
5. Switch the product off immediately if you are disturbed while working by other people entering the working area. Always let the product come to complete stop before putting it down.
6. Do not overwork yourself. Take regular breaks to ensure you can concentrate on the work and have full control over the product.



**WARNING!** Keep in mind that there are buried objects hidden in every household! Ensure that there are no gas, water or power lines hidden in the working area that may be hit before operation – danger of electrical shock and serious damage to people and property! Use a suitable detector to trace such objects in advance!



## Drilling

### General drilling



**WARNING!** During operation fine dust will be generated!

Some dusts are highly inflammable and explosive! Do not smoke during operation, keep heat sources and open flames out of the working area!

Always wear a dust mask to protect yourself against hazards resulting from fine dust!



1. Always hold the product perpendicular to the point to be drilled. Holding it at an angle may cause slipping or jamming of the drill bit.
2. Always place the drill tip directly on the point to be drilled first and then switch the product on.
3. Pre-drill larger holes with a small diameter drill bit first. Doing so makes drilling with larger diameter drill bits easier.



**WARNING!** Switch the product off, let it come to a complete stop and remove the battery pack if the attachment gets stuck in the workpiece. Only then free the jammed attachment.



### Hammer drilling mode

Use this function to drill holes in brick, concrete and masonry.



**NOTE:** In principle, drill masonry in the hammer drilling operation mode with maximum speed. However, in the first few seconds of operation, the drill bit may deviate from the original desired position due to the hammer action. To avoid this, use inching hammer drilling mode or drill mode with low speed and low feeding force before the drill bit tip is well seated in workpiece.

1. Set the mode selector switch (6) to the correct position.
2. Insert a suitable SDS drill bit.

In more detail...

## Drilling

### Drilling mode

Use this function for drilling holes into wood, wood similar materials, plastic or metal.

1. Assemble a suitable drill chuck (not provided) and set the mode selector (6) to the correct position.
2. Insert a suitable drill bit. Punch the drilling point before operation in order to avoid slipping of the drill bit.
3. Start with low speed and feeding force before the drill bit tip is well seated in workpiece.



**NOTE:** When operating the product at a lower speed for a longer period the motor may overheat. Therefore take breaks of approx. 5 minutes on a regular basis to let the motor cool down.

4. Use a metal drill bit for drilling into plastic and metal. Where necessary use a cooling lubricant that is available at your specialist dealer.

## Chiselling

1. Choose a suitable SDS chisel for your application.
2. Mark the chiselling route when you plan to chisel slots. Start near the edge and then proceed towards the inside.

## After use

1. Switch the product off, remove the battery back and let it cool down.
2. Remove the drill bit / chisel.
3. Check, clean and store the product as described below.

## The golden rules for care



**WARNING!** Always switch the product off, remove the battery pack and let the product cool down before performing inspection, maintenance and cleaning work!

1. Keep the product clean. Remove debris from it after each use and before storage.
2. Regular and proper cleaning will help ensure safe use and prolong the life of the product.
3. Inspect the product before each use for worn and damaged parts. Do not operate it if you find broken and worn parts.



**WARNING!** Only perform repairs and maintenance work according to these instructions! All further works must be performed by a qualified specialist!

## General Cleaning

1. Clean the product with a dry cloth. Use a brush for areas that are hard to reach.
2. In particular clean the switches (6, 9) and the air vents (7) after every use with a cloth and brush.
3. Remove stubborn dust with high pressure air (max. 3 bar).



**NOTE:** Do not use chemical, alkaline, abrasive or other aggressive detergents or disinfectants to clean this product as they might be harmful to its surfaces.

4. Check for worn or damaged parts. Replace worn parts as necessary or contact an authorised service centre for repair before using the product again.

## Maintenance

Your tool requires no additional lubrication or maintenance. There are no user serviceable parts in your tool.

In more detail...

## Spare parts/Replacement parts

---

Spare parts are available at an authorised dealer or through our customer service.

## Repair

---

This product does not contain any parts that can be repaired by the consumer. Contact an authorised service centre or a similarly qualified person to have it checked and repaired.

## Storage

---

1. Switch the product off and remove the battery pack.
2. Clean the product as described above.
3. Store the product and its accessories in a dark, dry, frost-free, well-ventilated place.
4. Always store the product in a place that is inaccessible to children. The ideal storage temperature is between 10 °C and 30 °C.
5. We recommend using the original package for storage or covering the product with a suitable cloth or enclosure to protect it against dust.

## Transportation

---

1. Switch the product off and remove the battery pack.
2. Attach the transportation guards, if applicable.
3. Always carry the product by its handles (10, 13).
4. Protect the product from any heavy impact or strong vibrations which may occur during transportation in vehicles.
5. Secure the product to prevent it from slipping or falling over.

## Troubleshooting

Suspected malfunctions are often due to causes that the users can fix themselves. Therefore check the product using this section. In most cases the problem can be solved quickly.



**WARNING!** Only perform repairs and maintenance work according to these instructions! All further works must be performed by a qualified specialist!

Problem	Possible cause	Solution
1. Product does not start	1.1. Forward / reverse rotation control at centre lock position 1.2. Battery pack not properly attached 1.3. Battery pack discharged 1.4. Battery pack damaged 1.5. Other electrical defect to the product	1.1. Push forward / reverse rotation control to left or right 1.2. Attach properly 1.3. Remove and charge battery pack 1.4. Replace with a new one of the same type 1.5. Check by a specialist electrician
2. Product does not reach full power	2.1. Battery pack capacity too low 2.2. Air vents are blocked 2.3. Ambient temperature is cold	2.1. Charge battery pack 2.2. Clean the air vents 2.3. Run the product for a while to warm up.
3. Unsatisfactory result	3.1. Drill bit is worn 3.2. Drill bit not suitable for intended operation	3.1. Replace with a new one 3.2. Use suitable drill bit
4. Product suddenly stops	4.1. Product overloaded 4.2. Battery pack discharged 4.3. Battery too hot	4.1. Remove the product from the workpiece and switch it on again 4.2. Remove and charge battery pack 4.3. Remove battery pack and let it cool down
5. Excessive vibration or noise	5.1. Drill bit is dull / damaged	5.1. Replace with a new one

In more detail...

## Recycling and disposal



Waste electrical products should not be disposed of with household waste. Please recycle where facilities exist.

Check with your Local Authority or local store for recycling advice.

**For further information visit [www.recycle-more.co.uk](http://www.recycle-more.co.uk).**

### Disposal of an exhausted battery pack



The battery is Li-Ion type. To preserve natural resources, please recycle or dispose of the battery pack properly. Consult your local waste authority for information regarding available recycling and / or disposal options.

Discharge your battery pack by operating your tool, then remove the battery pack from the tool and cover the battery pack connections with heavy duty adhesive tape to prevent short circuit and energy discharge. Do not attempt to open or remove any of the components.

In more detail...

## Guarantee

We take special care to select high quality materials and use manufacturing techniques that allow us to create products incorporating design and durability. This product (TITAN 18V Cordless rotary hammer) has a manufacturer's guarantee of 2 years against manufacturing defects, from the date of purchase (if bought in store) or date of delivery (if bought online), at no additional cost.

To make a claim under this guarantee, you must present your proof of purchase (such as a sales receipt, purchase invoice or other evidence admissible under applicable law), please keep your proof of purchase in a safe place. For this guarantee to apply, the product you purchased must be new, it will not apply to second hand or display products. Unless stated otherwise by applicable law, any replacement product issued under this guarantee will only be guaranteed until expiry of the original guarantee period.

This guarantee covers product failures and malfunctions provided the product was used for the purpose for which it is intended and subject to installation, cleaning, care and maintenance in accordance with the information contained in these terms and conditions, in the user manual and standard practice, provided that standard practice does not conflict with the user manual.

This guarantee does not cover defects and damage caused by normal wear and tear or damage that could be the result of improper use, faulty installation or assembly, neglect, accident, misuse, or modification of the product. Unless stated otherwise by applicable law, this guarantee will not cover, in any case, ancillary costs (shipping, movement, costs of uninstalling and reinstalling, labour etc), or direct and indirect damage.

This guarantee does not cover defects and damage caused by or resulting from:

- Normal wear and tear
- Overload, misuse or neglect
- Repairs attempted by anyone other than an authorised agent
- Cosmetic damage
- Damage caused by foreign objects, substances or accidents
- Accidental damage or modification
- Failure to follow manufacturer's guidelines
- Loss of use of the goods

If the product is defective, we will, within a reasonable time, repair or replace it.

Rights under this guarantee are enforceable in the country in which you purchased this product. Guarantee related queries should be addressed to the store you purchased this product from.

The guarantee is in addition to and does not affect your statutory rights.

In more detail...



(EN) EU DECLARATION OF CONFORMITY  
 (FR) DÉCLARATION UE DE CONFORMITÉ  
 (PL) DEKLARACJA ZGODNOŚCI UE  
 (RO) DECLARAȚIA DE CONFORMITATE UE  
 (ES) DECLARACIÓN UE DE CONFORMIDAD  
 (PT) DECLARAÇÃO DE CONFORMIDADE UE

Product/ Produit/ Produkt/ Produsul/ Produkt/ Producto/ Produto

- Cordless rotary hammer/ Marteau perforateur sans fil/ Akumulatorowa młotowiertarka/ Ciocan rotopercurtor cu acumulator/ Martillo perforador a batería/ Martelo perfurador a batería
- TTI871SDS
- SN: 000001-999999

Name and address of the manufacturer or his authorised representative:

Nom et adresse du fabricant ou de son mandataire:

Nazwa i adres producenta lub jego upoważnionego przedstawiciela:

Denumirea și adresa producătorului sau a reprezentantului său autorizat:

Nombre y dirección del fabricante o de su representante autorizado:

Nome e endereço do fabricante ou do respetivo mandatário:

Kingfisher International Products B.V.,  
 Rapenburgerstraat 175E,  
 1011 VM Amsterdam,  
 The Netherlands

This declaration of conformity is issued under the sole responsibility of the manufacturer.

La présente déclaration de conformité est établie sous la seule responsabilité du fabricant.

Niniejsza deklaracja zgodności wydana zostaje na wyłączną odpowiedzialność producenta.

Prezenta declarație de conformitate este emisă pe răspunderea exclusivă a producătorului.

La presente declaración de conformidad se expide bajo la exclusiva responsabilidad del fabricante.

A presente declaração de conformidade é emitida sob a exclusiva responsabilidade do fabricante.

Object of the declaration/Objet de la declaration/Przedmiot deklaracji/Obiectul declarației/Objeto de la declaración/

Objeto da declaração

Product/Produit/Produkt/Produsul/Producto/  
 Produto

Model/Modèle/Model/  
 Modelul/Modelo/Modelo

EAN

Cordless rotary hammer/ Marteau perforateur  
 sans fil/ Akumulatorowa młotowiertarka/ Ciocan  
 rotopercurtor cu acumulator/ Martillo perforador a  
 batería/ Martelo perfurador a batería

TTI871SDS

5059340253862/  
 5059340355672(UK)  
 5059340253879/  
 5059340287188(EU)

The object of the declaration described above is in conformity with the relevant Union harmonisation legislation:

L'objet de la déclaration décrit ci-dessus est conforme à la législation d'harmonisation de l'Union applicable:

Wymieniony powyżej przedmiot niniejszej deklaracji jest zgodny z odpowiednimi wymaganiami unijnego

prawodawstwa harmonizacyjnego:

Obiectul declarației descris mai sus este în conformitate cu legislația relevantă de armonizare a Uniunii:

El objeto de la declaración descrita anteriormente es conforme con la legislación de armonización pertinente de la Unión:

O objeto da declaração acima descrito está em conformidade com a legislação de harmonização da União aplicável:



2006/42/EC as amended Machinery Directive  
 2014/30/EU as amended Directive Electromagnetic compatibility  
 2011/65/EU as amended Directive Restriction of the use of certain hazardous substances in electrical and electronic equipment  
 Directive 2006/42/CE relative aux machines  
 2014/30 / UE telle que modifiée Directive Compatibilité électromagnétique  
 Directive 2011/65/UE relative à la limitation de l'utilisation de certaines substances dangereuses dans les équipements électriques et électroniques  
 2006/42/WE w zmienionej dyrektywie maszynowej  
 2014/30 / UE ze zmianami Dyrektywa Kompatybilność elektromagnetyczna  
 2011/65 / UE, ze zmianami Dyrektywa Ograniczenie stosowania niektórych niebezpiecznych substancji w sprzęcie elektrycznym i elektronicznym  
 2006/42/CE, astfel a fost modificată Directiva privind echipamentele  
 2014/30/UE, astfel a fost modificată Directiva privind compatibilitatea electromagnetică  
 2011/65/UE, astfel a fost modificată Directiva privind limitarea utilizării anumitor substanțe periculoase în echipamentele electrice și electronice  
 Directiva sobre maquinaria modificada 2006/42/CE  
 2014/30/UE modificada Directiva Compatibilidad electromagnética  
 2011/65/UE, modificada Directiva Restricción del uso de determinadas sustancias peligrosas en equipos eléctricos y electrónicos  
 2006/42/CE como diretiva de máquinas alteradas  
 2014/30/UE como alteração da compatibilidade eletromagnética  
 2011/65/UE, como restrição diretiva alterada da utilização de certas substâncias perigosas em equipamentos elétricos e eletrônicos

References to the relevant harmonised standards used or references to the other technical specifications in relation to which conformity is declared:

Références des normes harmonisées pertinentes appliquées, y compris la date de celles-ci, ou des autres spécifications techniques, y compris la date de celles-ci, par rapport auxquelles la conformité est déclarée:  
 Odwołania do odnośnych norm zharmonizowanych, które zastosowano, wraz z datą normy, lub do innych specyfikacji technicznych, wraz z datą specyfikacji, w odniesieniu do których deklarowana jest zgodność:  
 Trimiteri la standardele armonizate relevante folosite, inclusiv data standardului, sau trimiteri la celelalte specificații tehnice, inclusiv data specificațiilor, în legătură cu care se declară conformitatea:  
 Referencias a las normas armonizadas pertinentes utilizadas, incluidas las fechas de las normas, o referencias a las otras especificaciones técnicas, incluidas las fechas de las especificaciones, respecto a las cuales se declara la conformidad:  
 Referências às normas harmonizadas aplicáveis utilizadas, incluindo a data da norma, ou às outras especificações técnicas, incluindo a data da especificação, em relação às quais é declarada a conformidade:

EN 62841-1:2015  
 EN IEC 62841-2-6: 2020 +A11: 2020  
 EN IEC 55014-1:2021  
 EN IEC 55014-2:2021

Authorized Signatory and technical file holder/ Signataire et responsable de la documentation technique autorisé/  
 Podmiot uprawniony do wystawienia i adres przechowywania dokumentacji technicznej/ Semnatar autorizat și  
 deținătorul dosarului tehnic/ Firmante autorizado y titular del expediente técnico/Signatário autorizado e detentor  
 da ficha técnica:

Kingfisher International Products B.V.,  
 Rapenburgerstraat 175E,  
 1011 VM Amsterdam,  
 The Netherlands



David Awe  
 Group Quality Director

31/12/2021



(UK) DECLARATION OF CONFORMITY

Product

- Cordless rotary hammer
- TTI871SDS
- SN: 000001-999999

Name and address of the manufacturer or his authorised representative:

Kingfisher International Products Limited  
 3 Sheldon Square  
 London W2 6PX  
 United Kingdom

This declaration of conformity is issued under the sole responsibility of the manufacturer.

Object of the declaration

Product	Model	EAN
Cordless rotary hammer	TTI871SDS	5059340253862/ 5059340355672(UK)

The object of the declaration described above is in conformity with the relevant legislation:

Supply of Machinery (Safety) Regulations 2008 as amended  
 Electromagnetic Compatibility Regulations 2016 as amended  
 The Restriction of the use of Certain Hazardous Substances in Electrical and Electronic Equipment Regulations 2012 as amended

References to the relevant designated standards used or references to the other technical specifications in relation to which conformity is declared:

- BS EN 62841-1:2015
- BS EN IEC 62841-2-6: 2020 +A11
- BS EN IEC 55014-1:2021
- BS EN IEC 55014-2:2021

Authorised signatory and technical file holder:

Kingfisher International Products Limited  
 3 Sheldon Square  
 London W2 6PX  
 United Kingdom

David Awe  
 Group Quality Director

On: 31/12/2021

In more detail...



# TITAN

**Manufacturer • Fabricant • Producent • Producător • Fabricante:**

**UK Manufacturer:**

Kingfisher International Products Limited,  
3 Sheldon Square, London, W2 6PX  
United Kingdom

[www.kingfisher.com/products](http://www.kingfisher.com/products)

**EU Manufacturer:**

Kingfisher International Products B.V.  
Rapenburgerstraat 175E  
1011 VM Amsterdam  
The Netherlands

[www.diy.com](http://www.diy.com) | [www.screwfix.com](http://www.screwfix.com) | [www.screwfix.ie](http://www.screwfix.ie)

To view instruction manuals online, visit  
[www.kingfisher.com/products](http://www.kingfisher.com/products)