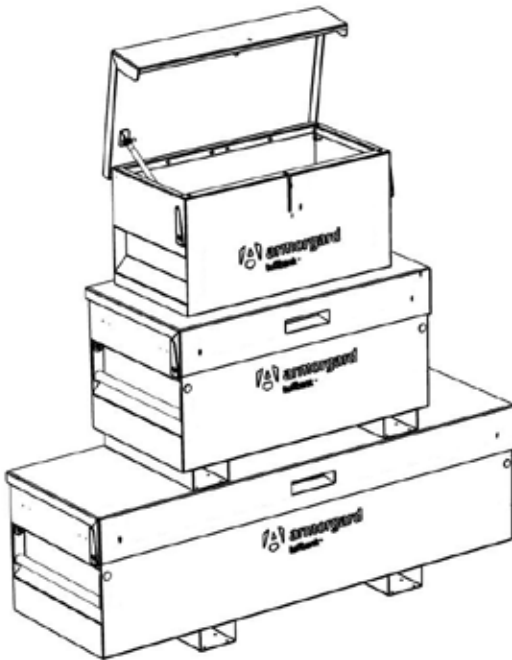


# TuffBank™

Model Numbers TB1, TB12, TB2,  
TB21, TB3, TB6, TBC4, TBC5



User manual for your  
Armorgard TuffBank

# » Welcome...

to your Armorgard TuffBank, the safest security box for your tools and equipment, with over 30 years of experience behind the design. The TuffBank comes ready to use, but please consult this manual for instructions on how to get the most from it.

**Please read this user manual carefully prior to setting up the TuffBank**









## **Contents**

Welcome.....	2
Safety Information.....	3
Getting to know your TuffBank.....	4
Installing in a vehicle or fixing to a floor.....	6
Fitting shelves to your TuffBank.....	7
Using the Armorgard PowerShelf.....	8
Fitting the optional Crane Lifting Eye Kit.....	9
Fitting the optional Castor Kit.....	9
Additional Kits .....	10
General Information .....	10

**Please call 023 9238 0280 if you have any questions on your TuffBank.**



# Safety Information

-  The TuffBanks are too heavy to be safely lifted by one person. Carry out a risk assessment before lifting or lowering any TuffBank to ensure there is no risk of injury.
-  TuffBanks have been tested to take up to 500kg each. Ensure the TuffBanks are within the maximum weight loading before lifting or transporting.
-  If the box is not fitted as per our guidelines, the Sold Secure approval is invalid.
-  **WARNING:** Electricity can injure or kill. If a TuffBank is fitted with an electricity supply such as the Armorgard PowerShelf, ensure all parts are PAT tested and approved, and that no damaged cables or parts are used.
-  Before using a TuffBank, ensure any relevant risk assessments are carried out. Armorgard cannot be responsible for accidents that occur due to negligence.
-  When fitting a TuffBank to a vehicle, our guidelines **MUST** be followed. An empty TuffBank can more than triple it's weight in an emergency stop, and could come loose if fitted insecurely.
-  Where crane lifting eyes are fitted, do not exceed the maximum load for the TuffBank or lifting eyes. Contact Armorgard on +44 (0) 2392 380 280 for information on load limits if you are unsure what these are.
-  If castor wheels or crane lifting eyes are fitted, these must be fitted according to our specification, and should be checked regularly to ensure they are still fit for purpose.

# Getting to know your TuffBank

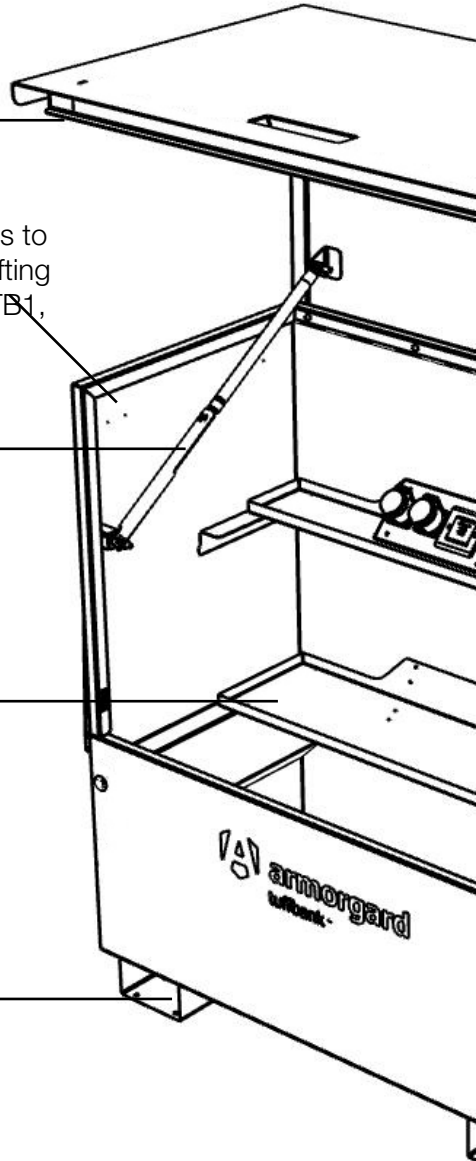
Anti-jemmy system on the lid prevents the lid from being forced open.

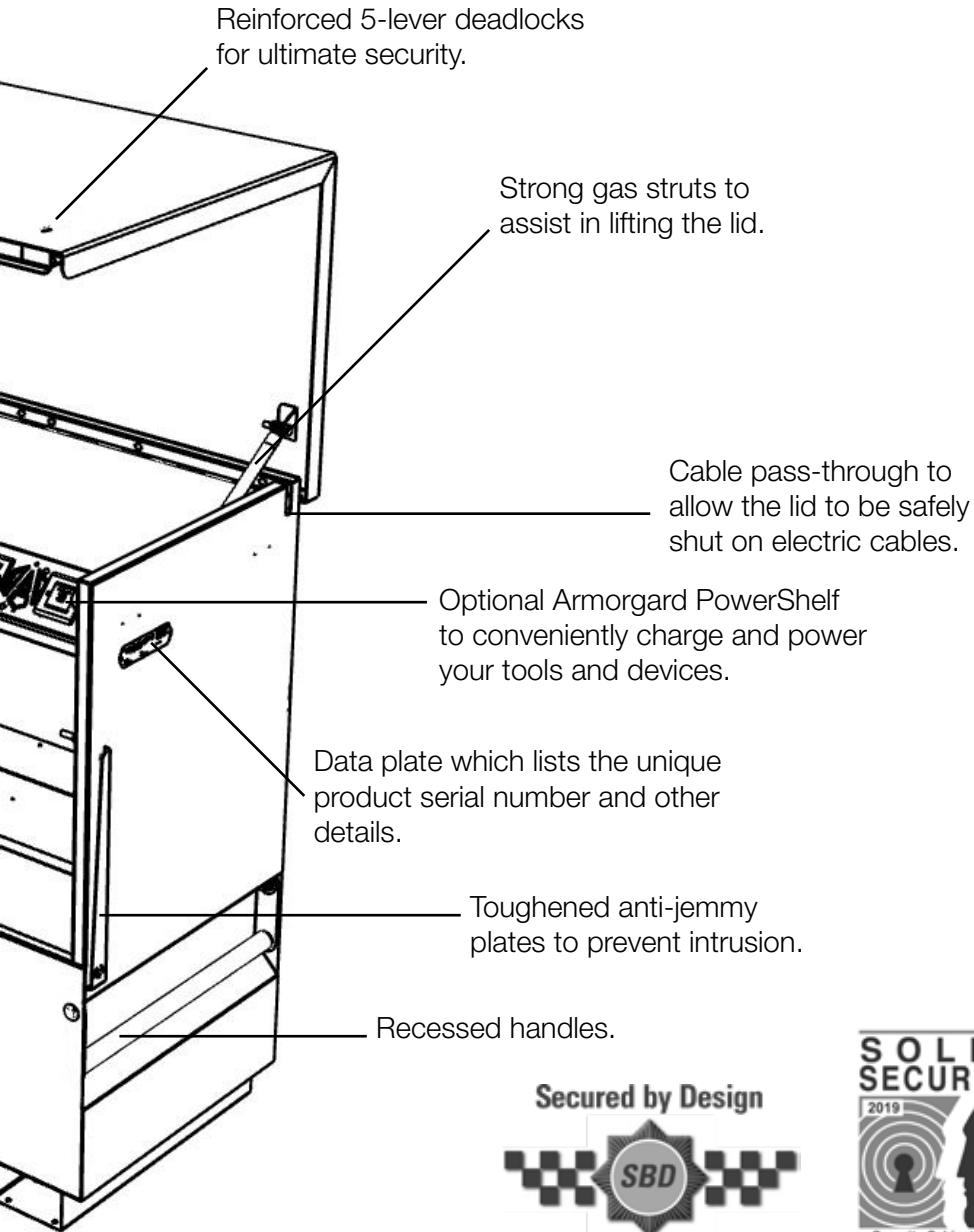
Pre-drilled pilot holes to easily fit our crane lifting eye kit. (All except TB1, TB12 & TB21)

Armorgard SlamStop lid stay to ensure the lid is held open.

Optional storage shelf to organise your tools and equipment. (All except TB1, TB21 & TB6)

Forklift skids for easy transportation. Castors can be added very simply using our castor kit. (All except TB1 & TB12)





Reinforced 5-lever deadlocks for ultimate security.

Strong gas struts to assist in lifting the lid.

Cable pass-through to allow the lid to be safely shut on electric cables.

Optional Armorgard PowerShelf to conveniently charge and power your tools and devices.

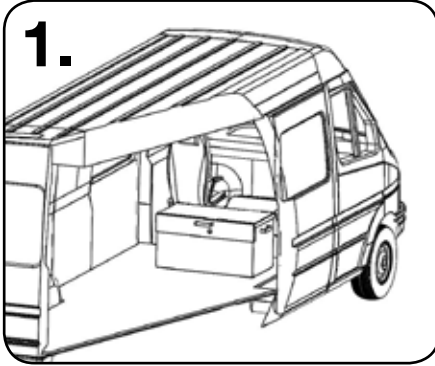
Data plate which lists the unique product serial number and other details.

Toughened anti-jimmy plates to prevent intrusion.

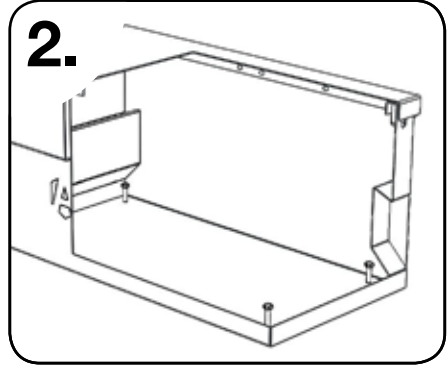
Recessed handles.



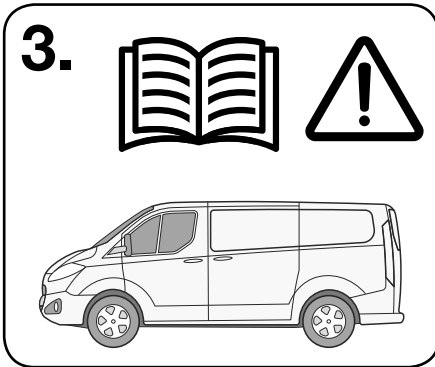
## Installing in a vehicle or fixing to a floor



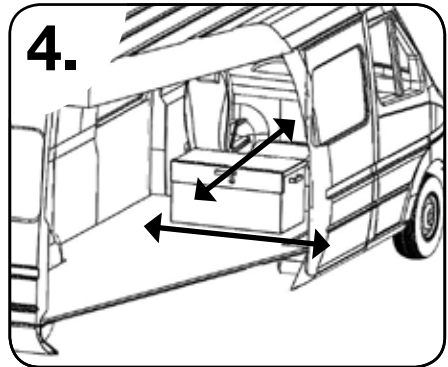
To install a TuffBank in a vehicle, these instructions **MUST** be followed. The installer must drill 4x 10mm holes into the box, one in each corner, in order to fix it to the floor.



The TuffBank **MUST** then be fixed down using four M10 bolts, washers, and shear nuts. The TuffBank needs to have a bolt in each of it's four corners fixing it securely to the floor.

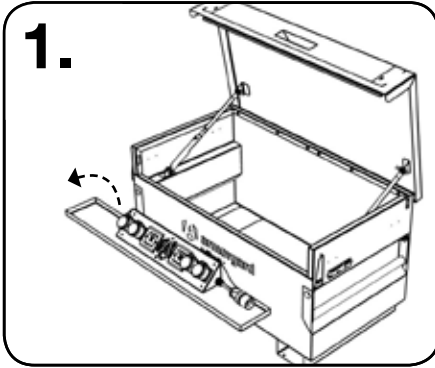


If you are installing the TuffBank in a vehicle, you may need to adapt the vehicle. Armorgard can not be held liable for any damage to the vehicle. The vehicle manufacturer should always be consulted to ensure any proposed works will not damage the vehicle.

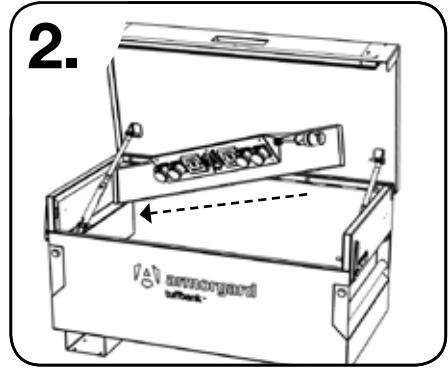


Once installed, test by pulling and pushing the box vigorously in various directions. Bear in mind that an empty box can more than triple its weight in the event of an emergency stop, so it is imperative to ensure it is firmly fixed down.

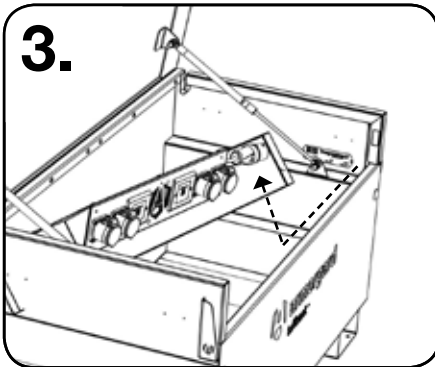
## Fitting shelves to your TuffBank



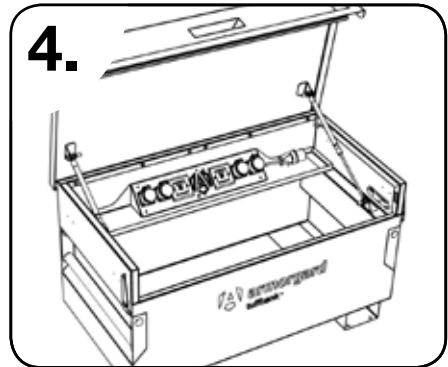
All TuffBanks except the TB1, TB21 and TB6 can be fitted with optional shelves. To fit the Armorgard PowerShelf or storage shelf, first tilt the rear of the shelf towards you slightly.



Slide the left end of the shelf into the TuffBank, under the gas strut with the SlamStop safety stay.

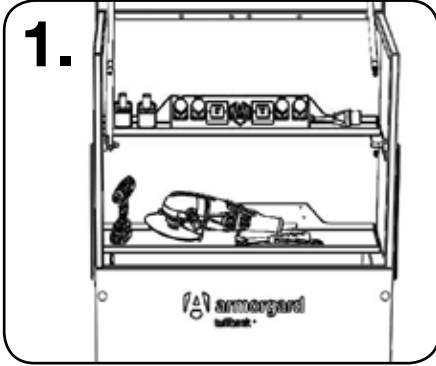


Slot the right hand side of the shelf down in front of the gas strut, bring it underneath, and back up behind the gas strut.

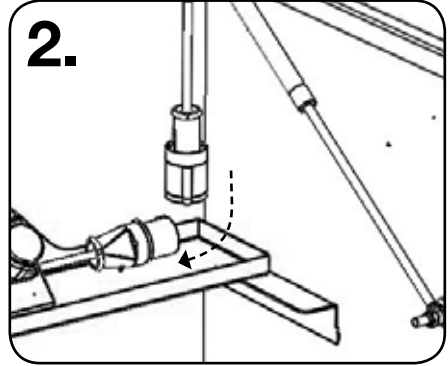


The shelf should now drop into place - depending on the model this will either be on the lugs provided or onto the shelf created by the recessed handles.

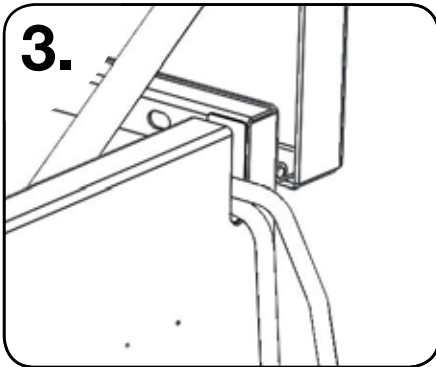
## Using the Armorgard PowerShelf



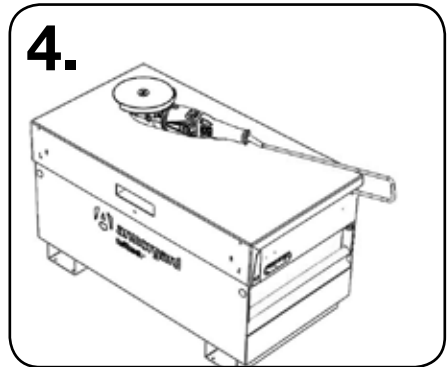
With a PowerShelf fitted to your TuffBank, you can charge batteries and mobile devices, or power tools while keeping them secure. **WARNING:** Ensure you read the safety information at the beginning of this manual before use.



Once the PowerShelf is connected to 110V power, you can connect up to 4x 110V items such as battery chargers and power tools, and up to 4x mobile devices such as phones and tablets into the USB ports.



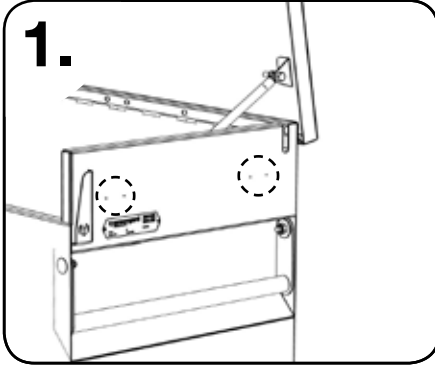
Up to 2 cables can be fitted into the cable pass-through, so a power supply and a tool can be fitted through simultaneously. The lid can then be closed and locked for secure charging.



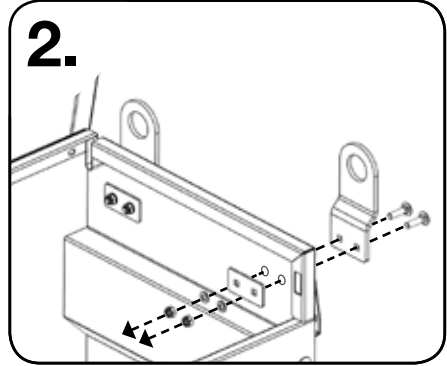
Remember that only the keyholder can access the PowerShelf, so ensure that any tools or items are unplugged once finished with to reduce risk from electrical hazards.



## Fitting the optional Crane Lifting Eye Kit

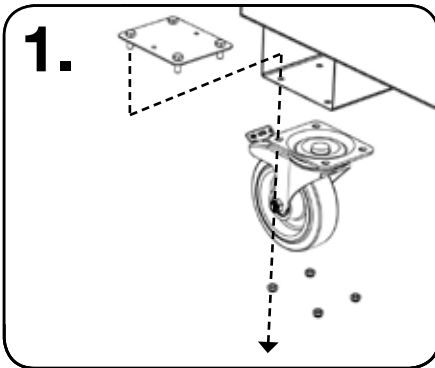


1. All TuffBanks except TB1, TB12 & TB21 can be fitted with crane lifting eyes. To fit the kit, use a 10mm metal drill bit to drill out the 4 pilot holes located on each side of your TuffBank.

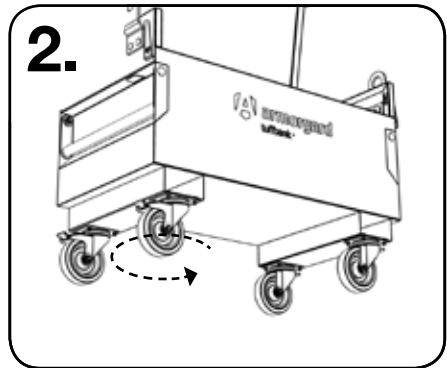


2. Thread the M10 coach bolts through the lifting eyes, then through the box. Inside the box add a backing plate, M10 washers and nylocks to each bolt as shown.

## Fitting the optional Castor Kit



1. All TuffBanks except TB1 & TB12 can be fitted with castors. Lift the box onto a stable platform, and then insert castor plates into the forklift skids. Put the castor wheel in place and use a 13mm socket to tighten the M8 nylocks.



2. Repeat for the other 3 wheels. Once complete, Check all nuts are tight, and then ensure the two braked castors can swivel through 360° before lowering the TuffBank.

## » Additional Kits

The TuffBank range can be fitted with several different kits: crane lifting eyes, castor wheels, shelves and the Armorgard PowerShelf. Please call 023 9238 0280 for more details.

## » General Information

### Lost Keys?

Replacement keys can be purchased from Armorgard, using the serial number on the product.

### Spare Parts and Optional Extras

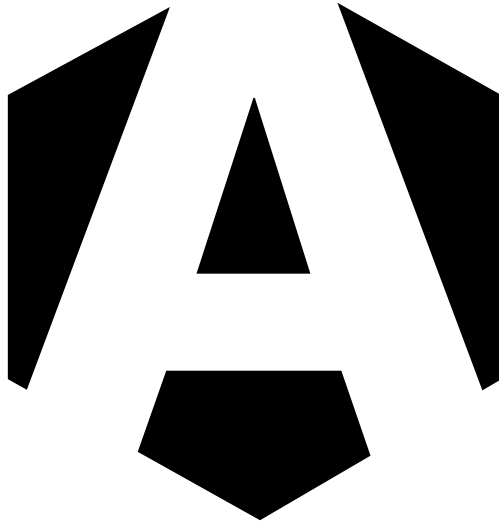
The following items are available to order separately:

- SlamStop safety stay
- PowerShelf
- Castor kit
- Gas strut
- Storage shelf
- Crane lifting eye kit

# ticking every box

View our full range of products online at  
[www.armorgard.co.uk](http://www.armorgard.co.uk)





 **armorgard**  
ticking every box.

Unit 14-16, Standard Way, Fareham Industrial Park, Fareham, Hampshire PO16 8XB  
t: 023 9238 0280 e: [sales@armorgard.co.uk](mailto:sales@armorgard.co.uk) w: [www.armorgard.co.uk](http://www.armorgard.co.uk)

