

## Commissioning

- Ensure that the screws and cable entry points are sealed to maintain the IP rating of the product.
- Refit the shade and outer bezel and secure with the screws. Ensure the seals are correctly located.
- Replace fuse or circuit breaker and switch on. Your light is now ready for use.

---

## Fitting/replacing bulbs

- The LED module in this product is non replaceable

---

We recommend cleaning with a soft dry cloth.  
Do not use solvents or abrasive cleaners as these could damage the finish.

---

## Recycling advice



Waste electrical products should not be disposed of with household waste. Please recycle where facilities exist. Check with your Local Authority or retailer for recycling advice.

## Safety information

For your safety, always switch off the supply before cleaning.

# LED Slim Exterior Eyelid Bulkhead

7081T



CE

Thank you for purchasing this light fitting. Please read the instructions carefully before use to ensure safe and satisfactory operation of this product. Please retain these instructions for future reference.

## Warning

 **This product is Double Insulated and does not require connection to an Earth circuit.**

Please read these instructions carefully before commencing any work.

This unit must be fitted by a competent and qualified electrician.

Install in accordance with IEE Wiring regulations and current Building Regulations.

To prevent electrocution switch off at mains supply before installing or maintaining this fitting. Ensure other persons cannot restore the electrical supply without your knowledge.

This light fitting should be connected to a fused circuit.

If replacing an existing fitting, make a careful note of the connections.

This product is not suitable for dimming.

Waste electrical products should not be disposed of with household waste. Please recycle where facilities exist. Check with your local authority or retailer for recycling advice.

Note the position of the "This Way Up" label on the back of the product and ensure it is correctly oriented.

## Specification

Voltage: 240V ~ 50Hz  
Lamp: 12W LED Module (1000lm/6000K)  
IP rating: 44

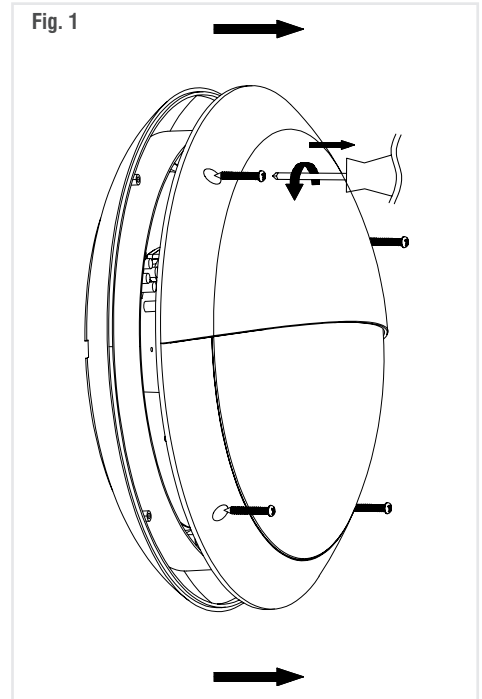
## Layout

- Plan the desired layout of this fitting carefully, ensuring the cables will reach the distance between the junction box and the light fitting.
- Avoid locating any cables in positions that would cause a hazard. Position cables and junction boxes (not supplied) away from areas where they may be at risk from being cut, trapped or damaged.
- The mains supply cable must have a minimum cross sectional area of 1.0mm<sup>2</sup>.
- Cables must be protected using suitable conduit or plastic trunking.

## Installation

Existing fittings must be completely removed before installation of a new product. Before removing the existing fitting, carefully note the position of each set of wires.

- Remove the outer bezel and shade by removing the screws around the outside of the products. Keep screws safe for refitting later. See Fig. 1.
- Using the wall back as a template mark the position of the fixing holes and drill them. Ensure the wall is capable of holding the weight of the product, or if fitting to a ceiling, ensure there is a joist at the point of fixing to support the weight of the product. Take care to avoid damaging any concealed wiring and pipes. The correct fixings should be used for brick, cavity walls or plasterboard.
- Pierce a hole in the grommet, and pull the cable through and wire as detailed below.
- Fix the wall back into position.
- Make sure the LEDs are positioned at the base so the "eyelid" bezel does not obscure them when refitted.



## Wiring

This product is double insulated and must not be earthed. If there are any incoming earth cables, they must be joined together and well insulated with good quality insulation tape. This is to ensure earth continuity throughout your property.

Having correctly identified the wiring from your existing light fitting, connect to the quick fit connection block in the following way:

