

Bathroom Spotlight Installation Instructions

These instructions on wiring and installation are provided as a guideline to assist you. **If at any time you are unsure of how to proceed, please consult a qualified electrician.**

Before Starting

Please read through these instructions before commencing work, and keep them for future reference. Please Take Extreme Care When Carrying Out These Instructions.

Important!

This light fitting must be connected to the supply earth. If your lighting circuit does not have an earth, ask a qualified electrician to provide an earth facility. Light fittings should be connected to a 5 amp fused circuit. This product is rated IP44. This product is suitable for indoor use only and must only be used with the shades attached. Always switch off and allow product to cool before changing the bulbs and adjusting the heads.

Warning!

Always switch off electricity supply at the mains during installation and maintenance. We recommend that the fuse is withdrawn or the circuit breaker is switched off whilst work is in progress. Do not just turn off at the wall switch. Install in accordance with the IEE Wiring regulations and the Building Regulations.

Fixing Instructions

Make sure you have the following items which are required to install this light fitting:
Small electrical screwdriver, cross head screwdriver & insulation tape.

Step 1

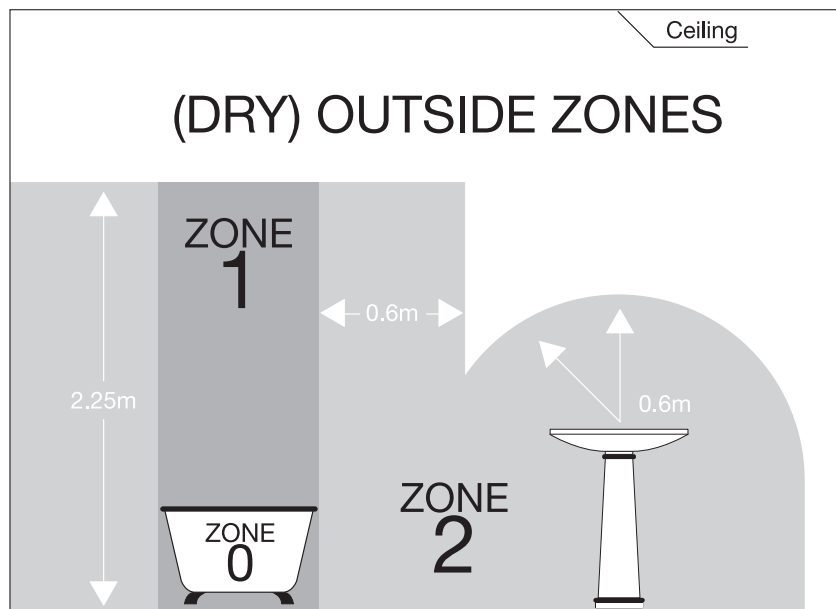
Before removing the existing fitting, carefully note the position of each set of wires.

Installation:

This product has special protection against the ingress of moisture and is IP44 rated. This product is suitable for use in Zone 2 and outside Zones of a bathroom.

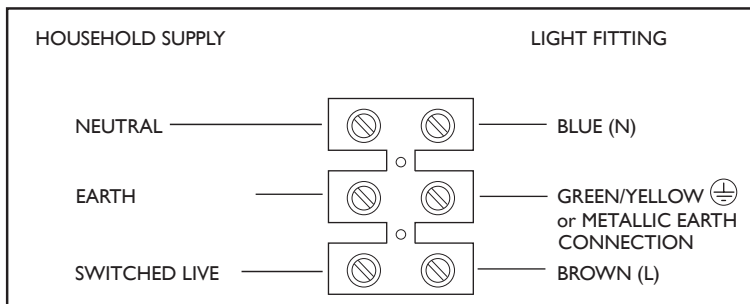
If this unit is being fitted in a room containing a bath or shower, a 30mA RCD must be used - in accordance with IEE regulations.

- 1) Remove the ceiling strap from the product by removing the side screws.
- 2) Fix the ceiling strap to the ceiling using the screws supplied. Take care not to damage any concealed wiring.



Step 2

Having identified the household wiring from your existing light fitting, feed the wires through the rubber sleeve and into the terminal block. Connect to the terminal block inside the product in the following way:



Step 3

Once the wires are connected snap the terminal block cover closed to seal it.

Check that.....

You have correctly identified the house wires.
The connections are tight.
No loose strands have been left out of the connection block.

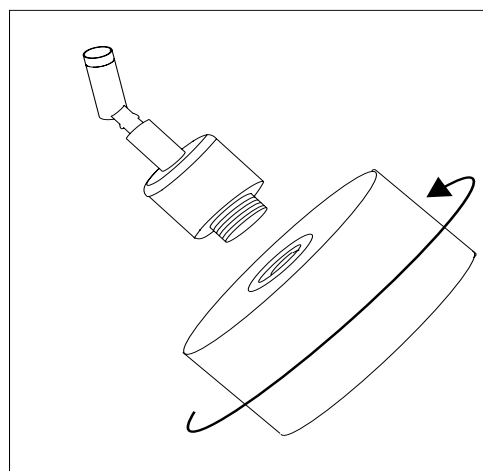
Step 4

This product has “L” shaped fixing holes to allow easy fixing to the ceiling strap. Locate the “L” slots around the small screws on the ceiling strap. Rotate the ceiling cover to attach the product to the ceiling strap. Tighten the screws to secure. Take care not to trap any wiring.

Fitting/Replacing the bulbs - 3 x Max. 5W LED G9

WARNING: THIS PRODUCT GETS HOT DURING USE.

Always switch off and allow product to cool before changing the bulb and adjusting the heads. Fit the recommended G9 bulbs. Do not exceed the recommended wattage or use a different shape of bulb as this may cause your light fitting to overheat. LED bulbs are suitable for use.



Attaching the shades

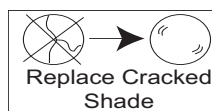
To attach the glass shades place over the threaded lampholder and screw into place, tighten with light pressure. Ensure the shade is fully screwed on against the seal in the base of the cup.

Step 5

Replace fuse or circuit breaker and switch on. Your light is now ready for use.

Glass Shade

The glass shade must be replaced if it becomes cracked or damaged. Do not use product without glass shade attached.




Care and cleaning

Finish - We recommend cleaning with a soft dry cloth. Do not use abrasive materials as these will damage the finish. Glass parts - Remove and wash in warm water or just use a damp cloth. Do not use abrasive materials as these will damage the finish.

Safety Information

For your safety, always switch off the supply before changing lightbulbs, cleaning or removing shades.

 Waste electrical products should not be disposed of with normal household waste. Please recycle where facilities exist. Check with your Local Authority for recycling advice.

Manufactured by: Poole Lighting Ltd.

UK: BH17 7BY

EU: Brilliant AG, Brilliantstrasse 1, D-27442 Gnarrenburg

08/03/2023