

Original Instructions - MNL_PHG1800_GB_V4_2020920

PHG1800

EAN: 5059340043258

ORIGINAL INSTRUCTIONS



V40920 / BX220IM



EN



Safety instructions

7



Product description

11



Assembly

15



Use

18



+



Care & maintenance

22



Guarantee

27



Safety instructions

SAFETY WARNINGS

- a) This appliance can be used by children aged from 8 years and above and persons with reduced physical, sensory or mental capabilities or lack of experience and knowledge if they have been given supervision or instruction concerning use of the appliance in a safe way and understand the hazards involved.
- b) Children shall not play with the appliance. Cleaning and user maintenance shall not be made by children without supervision.
- c) If the supply cord is damaged, it must be replaced by the manufacturer, its service agent or similarly qualified persons in order to avoid a hazard.

GENERAL POWER TOOL SAFETY WARNINGS



WARNING! Read all safety warnings, instructions, illustrations and specifications provided with this power tool. Failure to follow all instructions listed below may result in electric shock, fire and/or serious injury.

Save all warnings and instructions for future reference. The term “power tool” in the warnings refers to your mains-operated (corded) power tool or battery-operated (cordless) power tool.

WORK AREA SAFETY

- a) **Keep work area clean and well lit.** Cluttered or dark areas invite accidents.

- b) **Do not operate power tools in explosive atmospheres, such as in the presence of flammable liquids, gases or dust.** Power tools create sparks which may ignite the dust or fumes.
- c) **Keep children and bystanders away while operating a power tool. Distractions can cause you to lose control.**

ELECTRICAL SAFETY

- a) **Power tool plugs must match the outlet. Never modify the plug in any way. Do not use any adapter plugs with earthed (grounded) power tools.** Unmodified plugs and matching outlets will reduce risk of electric shock.
- b) **Avoid body contact with earthed or grounded surfaces, such as pipes, radiators, ranges and refrigerators.** There is an increased risk of electric shock if your body is earthed or grounded.
- c) **Do not expose power tools to rain or wet conditions.** Water entering a power tool will increase the risk of electric shock.
- d) **Do not abuse the cord. Never use the cord for carrying, pulling or unplugging the power tool. Keep cord away from heat, oil, sharp edges or moving parts.** Damaged or entangled cords increase the risk of electric shock.
- e) **When operating a power tool outdoors, use an extension cord suitable for outdoor use.** Use of a cord suitable for outdoor use reduces the risk of electric shock.
- f) **If operating a power tool in a damp location is unavoidable, use a residual current device (RCD) protected supply.** Use of an RCD reduces the risk of electric shock.

PERSONAL SAFETY

- a) **Stay alert, watch what you are doing and use common sense when operating a power tool. Do not use a power tool while you are tired or under the influence of drugs, alcohol or medication.** A moment of inattention while operating power tools may result in serious personal injury.



- b) **Use personal protective equipment. Always wear eye protection.** Protective equipment such as dust mask, non-skid safety shoes, hard hat, or hearing protection used for appropriate conditions will reduce personal injuries.
- c) **Prevent unintentional starting. Ensure the switch is in the off-position before connecting to power source and/or battery pack, picking up or carrying the tool.** Carrying power tools with your finger on the switch or energising power tools that have the switch on invites accidents.
- d) **Remove any adjusting key or wrench before turning the power tool on.** A wrench or a key left attached to a rotating part of the power tool may result in personal injury.
- e) **Do not overreach. Keep proper footing and balance at all times.** This enables better control of the power tool in unexpected situations.
- f) **Dress properly. Do not wear loose clothing or jewellery. Keep your hair, clothing and gloves away from moving parts.** Loose clothes, jewellery or long hair can be caught in moving parts.
- g) **If devices are provided for the connection of dust extraction and collection facilities, ensure these are connected and properly used.** Use of dust collection can reduce dust-related hazards.

POWER TOOL USE AND CARE

- a) **Do not force the power tool. Use the correct power tool for your application.** The correct power tool will do the job better and safer at the rate for which it was designed.
- b) **Do not use the power tool if the switch does not turn it on and off.** Any power tool that cannot be controlled with the switch is dangerous and must be repaired.



EN

- c) **Disconnect the plug from the power source and/or the battery pack from the power tool before making any adjustments, changing accessories, or storing power tools.** Such preventive safety measures reduce the risk of starting the power tool accidentally.
- d) **Store idle power tools out of the reach of children and do not allow persons unfamiliar with the power tool or these instructions to operate the power tool.** Power tools are dangerous in the hands of untrained users.
- e) **Maintain power tools. Check for misalignment or binding of moving parts, breakage of parts and any other condition that may affect the power tool's operation. If damaged, have the power tool repaired before use.** Many accidents are caused by poorly maintained power tools.
- f) **Keep cutting tools sharp and clean.** Properly maintained cutting tools with sharp cutting edges are less likely to bind and are easier to control.
- g) **Use the power tool, accessories and tool bits etc. in accordance with these instructions, taking into account the working conditions and the work to be performed.** Use of the power tool for operations different from those intended could result in a hazardous situation.

SERVICE

- a) **Have your power tools serviced by a qualified repair person using only identical replacement parts.** This will ensure that safety of the power tool is maintained.

SAFETY WARNINGS FOR HEAT GUN



WARNING! Place the product on its stand (3) when not in use!



A fire may result if the product is not used with care, therefore

- a) be careful when using the product in places where there are combustible materials;
- b) do not apply to the same place for a long time;
- c) do not use in presence of an explosive atmosphere;
- d) be aware that heat may be conducted to combustible materials that are out of sight;
- e) place the product on its stand after use and allow it to cool down before storage;
- f) do not leave the product unattended when it is switched on.

ADDITIONAL SAFETY WARNINGS FOR HEAT GUN

- a) Keep other people, especially children and pets out of the working area during operation and before the work area is cleaned thoroughly.
- b) Do not use the product near flammable liquids or in explosive atmospheres, such as near fumes, gases or dust. The flameless heat from the product may ignite the dust or fumes. Remove materials or debris that may become ignited from work area.
- c) Hidden areas such as behind walls, ceilings, floors, soffit boards and other panels may contain flammable materials that may ignite when using the product in these locations. Ignition of these materials may not be readily apparent and could result in property damage and personal injury. Check these areas before applying heat. If in doubt, use a different method.
- d) Keep away from the hot air outlet. This product releases an air stream of high temperature that can cause serious burns and personal injury.

- e) Clean up all paint scrapings and dust when work is complete. Do not sweep. Dry dust or vacuum to avoid the paint dust being thrown up into the air where it can be inhaled or contaminate other areas. Wet mop floors. Use a wet cloth to clean all walls, sills and other surfaces where paint and dust have accumulated.
- f) Dispose of paint scrapings properly.
- g) Do not obstruct either the air vents or nozzle outlet, as this may cause excessive heat build up resulting in damage to the product.
- h) Do not direct the hot air blast at persons.
- i) Do not attempt to use the heat gun as a hair dryer or to dry pets.

SAFETY WARNINGS FOR STRIPPING PAINT

- a) Before stripping any paint, you should determine whether the paint contains any lead. Paint containing lead should be removed by a professional and not by using a heat gun.
- b) Ideally move the workpiece to an outdoor location. If this is not possible, ensure the work area is well ventilated.
- c) Wear an approved dust respirator mask or dual filter mask for dust and fumes. Ensure that the mask fits properly. Disposable paper masks are not adequate.
- d) Keep the gun moving when in use to avoid excessive heat build up.
- e) Keep food and drink out of the work area. Wash hands and face thoroughly before eating or drinking.

VIBRATION AND NOISE REDUCTION

To reduce the impact of noise and vibration emission, limit the time of operation, use low-vibration and low-noise operating modes as well as wear personal protective equipment.

Take the following points into account to minimise the vibration and noise exposure risks:



- a) Only use the product as intended by its design and these instructions.
- b) Ensure that the product is in good condition and well maintained.
- c) Use correct attachments for the product and ensure they are in good condition.
- d) Keep tight grip on the handles/grip surface.
- e) Maintain this product in accordance with these instructions and keep it well lubricated (where appropriate).

EMERGENCY

Familiarise yourself with the use of this product by means of this instruction manual. Memorise the safety directions and follow them to the letter. This will help to prevent risks and hazards.

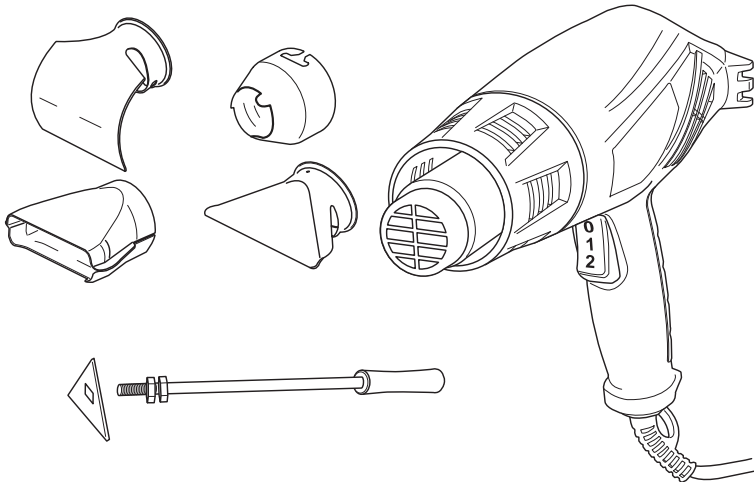
- a) Always be alert when using this product, so that you can recognise and handle risks early. Fast intervention can prevent serious injury and damage to property.
- b) Switch off and disconnect from the power supply if there are malfunctions. Have the power tool checked by a qualified professional and repaired, if necessary, before you operate it again.



WARNING! This product produces an electromagnetic field during operation! This field may under some circumstances interfere with active or passive medical implants! To reduce the risk of serious or fatal injury, we recommend persons with medical implants to consult their doctor and the medical implant manufacturer before operating this product!



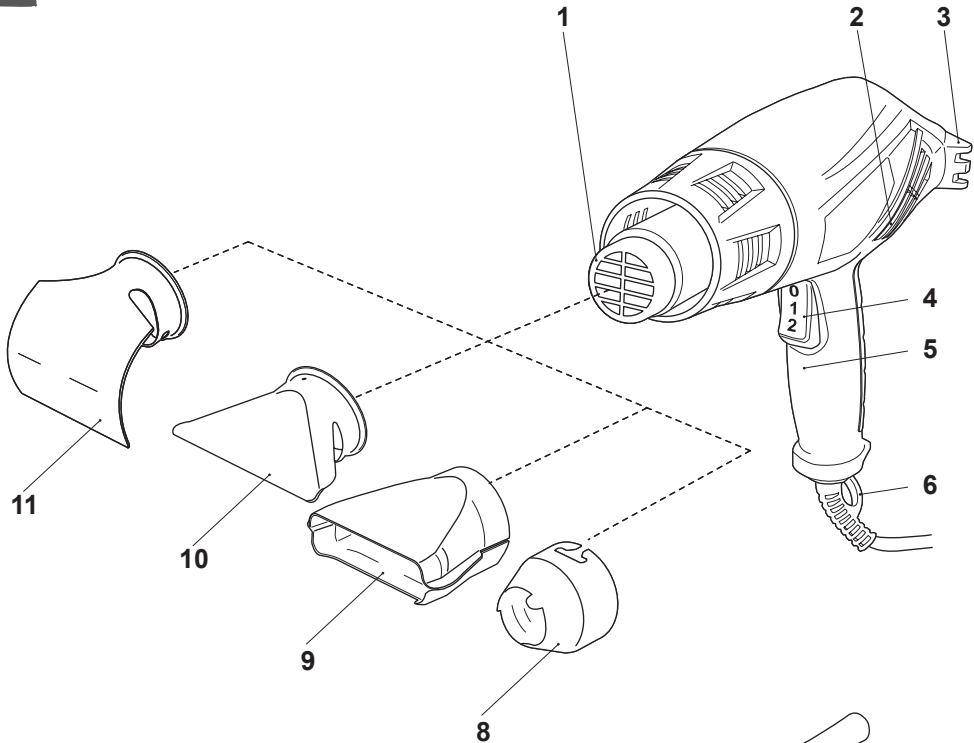
WARNING! Please read all safety warnings carefully and be sure that they are fully understood before handling the tool.



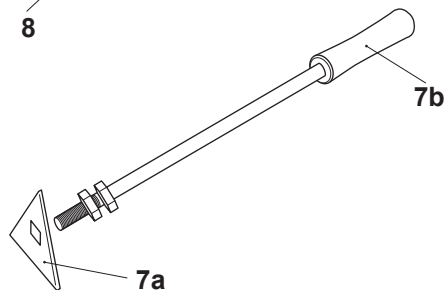


Product description

1



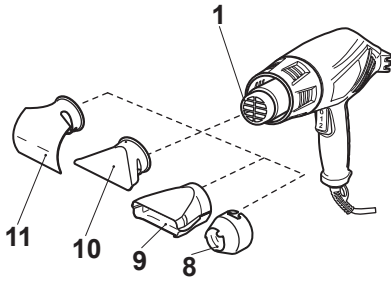
1. Hot air outlet
2. Air vents
3. Stand
4. On/off switch
5. Handle
6. Power cable with hanging hook
7. Scraper
 - a) Blade
 - b) Handle
8. Concentrator nozzle
9. Spreader nozzle
10. Glass protector nozzle
11. Reflector nozzle



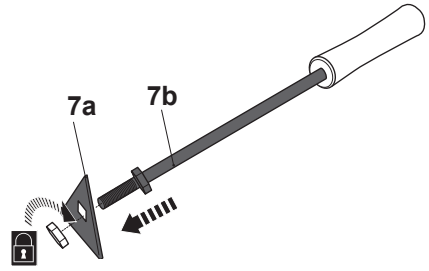


EN

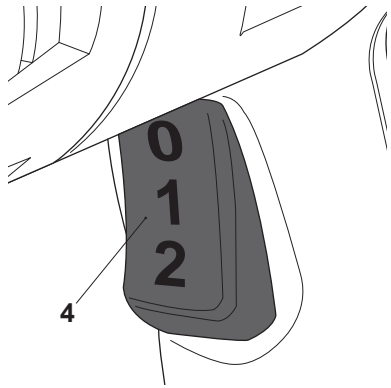
A



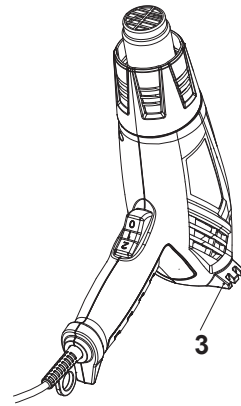
B



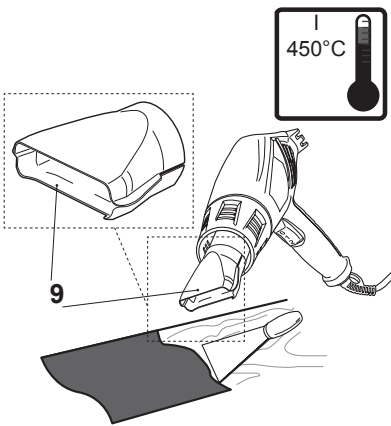
C



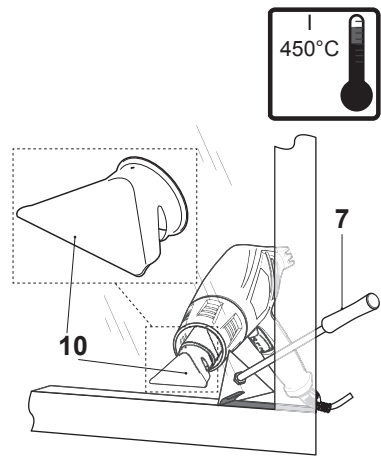
D

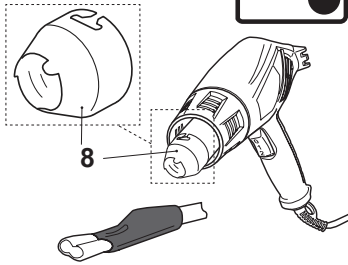
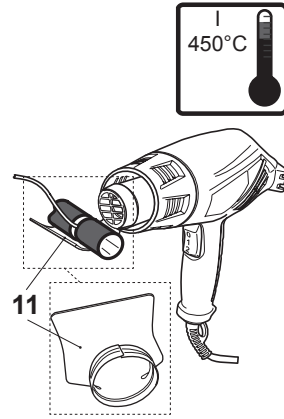
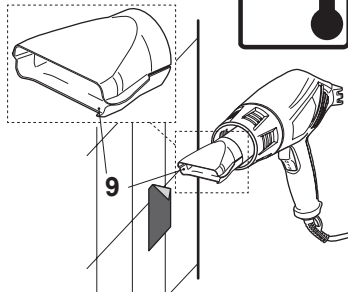
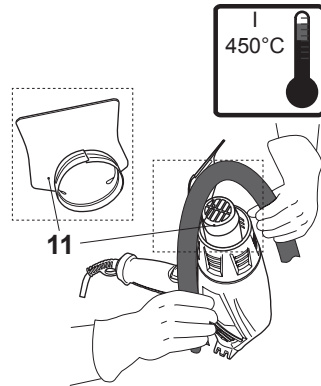
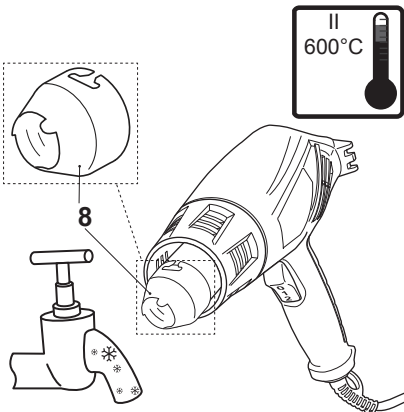
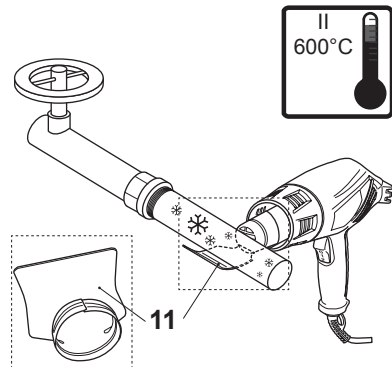


E



F




**G****H****I****J****K****L**



EN

Technical data

General

Rated voltage	: 220 - 240 V ~, 50 Hz
Rated input	: 1800 W
Temperature/air flow setting :	
Switch position 1	: 450 °C
Switch position 2	: 600 °C
Protection class	: II 
Protection degree	: IPX0
Sound values	
Sound pressure level L_{pA}	: 80 dB(A)
Uncertainty K_{pA}	: 3 dB(A)
Sound power level L_{WA}	: 91 dB(A)
Uncertainty K_{WA}	: 3 dB(A)

The noise emission values have been obtained according to the noise test code given in EN 60335-1, EN 60335-2-45 and to the basic standards EN ISO 11094: 1991 and EN ISO 3744: 2010. The sound intensity level for the operator may exceed 80 dB(A) and ear protection measures are necessary.

Rating label explanation

PHG1800 = Designation of the tool
 P= Performance Power
 HG= Heat Gun
 1800= Rated input (Watts)

Symbols

On the product, the rating label and within these instructions you will find among others the following symbols and abbreviations. Familiarise yourself with them to reduce hazards like personal injuries and damage to property.

V~	Volt, (alternating voltage)	W	Watt
A	Ampere	Hz	Hertz
kW	Kilowatt	cm ³	Cubic centimetre
min ⁻¹	per minute	mm	Millimetre
kg	Kilogram	dB(A)	Decibel (A-rated)



Always wear eye protection.



Always wear ear protection.



Wear a dust mask.



Wear protective gloves.



Note / Remark.



Caution / Warning.



Read the instruction manual.



Switch the product off and disconnect it from the power supply before assembly, cleaning, adjustments, maintenance, storage and transportation.



Hot surface!



This product is of protection class II. That means it is equipped with enhanced or double insulation.



The product complies with the applicable European directives and an evaluation method of conformity for these directives was done.



WEEE symbol. Waste electrical products should not be disposed of with household waste. Please recycle where facilities exist. Check with your Local Authority or local store for recycling advice.

yyWxx

Manufacturing date code; year of manufacturing (20yy) and week of manufacturing (Wxx)



Assembly

01 Unpacking

1. Unpack all parts and lay them on a flat, stable surface.
2. Remove all packing materials and shipping devices, if applicable.
3. Make sure the delivery contents are complete and free of any damage. If you find that parts are missing or show damage, do not use the product but contact your dealer. Using an incomplete or damaged product represents a hazard to people and property.
4. Ensure that you have all the accessories and tools needed for assembly and operation. This also includes suitable personal protective equipment.



WARNING! The product and the packaging are not children's toys!
Keep plastics bags, sheets and small parts away from children.
There is a danger of choking and suffocation!

02 Accessories

Different nozzle attachments can be used depending on the work being conducted.




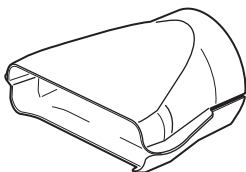
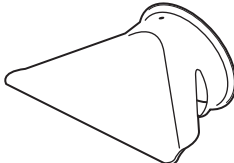
WARNING! Always use accessories according to the intended use!



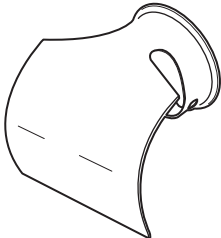
Observe the technical requirements of this product (see section Product descriptions) when purchasing and using accessories!



Some accessories are very sharp and become hot during use! Handle them carefully! Wear safety gloves when handling accessories in order to avoid injuries like burns and cuts!

Nozzles		
Illustration	Name	Application
	Concentrator nozzle (8)	– Direct hot air onto small specific areas.
	Spreader nozzle (9)	– Directing a long narrow heat pattern to the workpiece. – For removing paint or varnish from large flat surfaces such as skirting boards, doors, stairs etc. – To be used in conjunction with the scraper.
	Glass protector nozzle (10)	– Deflects the heat away from glass or other fragile areas and back onto the workpiece. – Stripping paint and varnish on window sills.



	<p>Reflector nozzle (11)</p>	<p>– Direct hot air onto hard to reach, awkward areas or to spread the heat more evenly around copper pipes.</p>
---	------------------------------	--

Attaching (Fig. A)

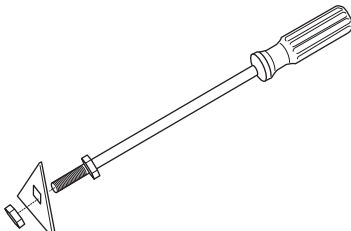
1. Align the required nozzle (8 - 11) with the hot air outlet (1) and attach it. Ensure it fits properly.

Removing/Replacing

1. After use, let the nozzle cool down before removing it.
2. Remove the nozzle (8 - 11) from the hot air outlet (1) and attach a new nozzle as required.



WARNING! Do not touch the nozzle as it becomes very hot during use and remains hot for up to 30 minutes after use. Always wear gloves when handling the hot air outlet and nozzles.

Scraper		
Illustration	Name	Application
	<p>Scraper</p>	<p>– stripping paint and varnish.</p>

Assembling (Fig. B)

1. Remove the outer nut from the thread.
2. Place the blade (7a) on the thread.
3. Screw the nut back on the thread until the blade is properly fastened.



EN

03 Connection to the power supply (Fig. C)



WARNING! Check the voltage! The voltage must comply with the information on the rating label!

1. Make sure the on/off switch (4) is in its off position.
2. Connect the plug with a suitable socket.
3. Your product is now ready to be used.



Use

Intended use

This heat gun PHG1800 is designated with a rated input of 1800 Watts.

This product is intended for removing paint, forming and bending of plastic tubes, and the warming of heat-shrinkable tubing, using the respective nozzles. The product is also suitable for soldering and tinning, loosening adhesive joints and defrosting water pipes.

This product must not be used on clothing or drying the hair or other body parts of pets and humans.

This product is intended for private domestic use only, not for any commercial trade use. It must not be used for any purposes other than those described.

Before you start

01 Protection






Controls

01 Stand (Fig. D)

Always place the product on its stand (3) after operation.

02 On/off switch

Set the on/off switch (4) to desired position.

Position	Setting	Applications
	"0" – Off	– Cleaning and storage
	"1" – On, 450°C / 300 l/min	– Removing paint – Shrinking plastic sleeves – Soldering pipes – Bending plastic tubes
	"2" – On, 600°C / 500 l/min	– Removing stickers – Defrosting taps and tubes



NOTE: If you are not sure about the correct setting, start with a low temperature setting and increase the temperature if required until you achieve optimum results

03 Thermal protection

This product is equipped with a self-resettable safety cut-out which will operate to cut off the power supply to the heating elements if the internal temperature gets too high. It will reset automatically when the product has cooled down.

Operation

General operation:

1. Check the product, its power cord and plug as well as accessories for damage before each use. Do not use the product if it is damaged or shows wear.
2. Double check that accessories are properly fixed.



EN

3. Always hold the product by its handle. Keep the handle dry to ensure safe support.
4. Ensure that the air vents are always unobstructed and clear. Clean them if necessary with a soft brush. Blocked air vents may lead to overheating and damage the product.
5. Switch the product off immediately if you are disturbed while working by other people entering the working area. Always let the product come to complete stop before putting it down.
6. Do not overwork yourself. Take regular breaks to ensure you can concentrate on the work and have full control over the product.

Heat gun operation



WARNING!

During operation fumes will be generated! Some fumes and dust are highly inflammable and explosive! Do not smoke during operation, keep heat sources and open flames out of the working area!



Always wear an approved dust mask to protect yourself against hazards resulting from fumes and fine dust!



1. Do not touch hot air outlet or accessory tips, or store the product until the nozzle has cooled to room temperature. Contact with the hot air outlet or accessory tip could result in personal injury.
2. Place the product on its stand in a clear area away from combustible materials while cooling to prevent materials from igniting.
3. Work in a well-ventilated area, open windows and put an exhaust fan in the room. Be sure the fan is moving air from inside to outside. Proper ventilation will reduce the risk of inhaling chemicals found in the fumes or dust created by using this product.
4. Work in one room at a time. Remove furnishings or cover them and place in the centre of the room. Seal doorways with drop cloths to seal work area from the rest of the building.
5. Remove or protect any carpets, rugs, furniture, clothing, cooking utensils and air ducts to prevent contamination and property damage from the paint scrapings. Paint scrapings may ignite if too close to the nozzle.
6. Place dust sheets in the work area to catch paint scrapings. Wear protective clothing such as hats, extra work shirts and overalls. Paint scrapings may contain chemicals that are hazardous.



NOTE: The proper amount of heat for each application depends on the temperature range selected, distance between the nozzle and workpiece as well as the length of time heat is applied. Experiment with scrap materials and start with the lowest temperature setting.

7. Be careful when working until the proper combination of heat, distance and time of application has been obtained. Use a back and forth motion when applying heat unless concentrated heat is desirable. Pausing or lingering in one spot may ignite or melt the workpiece or the material behind it.

01 Removing paint

Large surfaces (Fig. E)

1. Soften the paint using hot air and remove evenly using a spatula.
2. Do not heat the paint for too long since this will burn the paint, making it more difficult to remove.

Window frames and profiles (Fig. F)

1. Do not apply airflow directly to glass as this may crack or shatter – danger of property damage or personal injury.
2. Strip paints on window frames and profiles using the scraper.

02 Shrinking plastic sleeves (Fig. G)

1. Apply the air stream evenly to the sleeve.
2. Avert the air stream once the sleeve shrinks.

03 Soldering pipes (Fig. H)

1. Apply suitable soldering grease or paste to the pipe ends to be soldered if solder without flux is used.
2. Stick the pipe end together and warm the connection for 1 to 2 minutes depending on the material.
3. Apply solder which will melt due to the workpiece temperature.
4. Remove remaining flux after the soldered pipes have cooled down.

04 Removing stickers (Fig. I)

1. Many adhesives (e.g. stickers) become softer when heated allowing adhesive bonds to be separated or adhesive to be removed.
2. Heat the sticker carefully and pull it off.



EN

05 Bending plastic tubes (Fig. J)

1. Fill the tubing with sand and seal at both ends, to avoid kinking the tubing
2. Heat the tubing evenly by moving it from side to side.
3. Carefully bend the pipe to the correct shape. Allow the pipe to cool.
4. Unseal the pipe and clear all sand from it.

06 Defrosting taps and tubes (Fig. K, L)



WARNING! Do not attempt to use the product on gas pipes – Danger of explosion! Before defrosting always ensure that the pipe you are going to defrost is a water pipe!

1. Always heat the frozen zone from the outside to the middle.
2. Be careful when applying the heat to plastic pipes to avoid damage.

After use

1. Switch the product off, place the product on its stand (3), disconnect it from the power supply and let it cool down.
2. Check, clean and store the product as described below.



+



Care & maintenance



WARNING!

Always switch the product off, disconnect it from power supply and let the product cool down before performing inspection, maintenance and cleaning work!



1. Keep the product clean. Remove debris from it after each use and before storage.
2. Regular and proper cleaning will help ensure safe use and prolong the life of the product.



3. Inspect the product before each use for worn and damaged parts. Do not operate it if you find broken and worn parts.



WARNING! Only perform repairs and maintenance work according to these instructions! All further works must be performed by a qualified specialist!

Clean

1. Clean the product with a dry cloth. Use a brush for areas that are hard to reach.
2. In particular clean the air vents (2) after every use with a cloth and brush.
3. Remove stubborn dust with high pressure air (max. 3 bar).
4. Check for any damage and wear. Repair damages in accordance with this instruction manual or take it to an authorised service centre before using the product again.



NOTE: Do not use chemical, alkaline, abrasive or other aggressive detergents or disinfectants to clean this product as they might be harmful to its surfaces.

Maintenance

Your power tool requires no additional lubrication or maintenance.

There are no user serviceable parts in your power tool.

Before and after each use, check the product and accessories (or attachments) for wear and damage. If required, exchange them for new ones as described in this instruction manual.

01 Power cord

If the replacement of the supply cord is necessary, this has to be done by the manufacturer or his service agent in order to avoid a safety hazard.

02 UK plug (only for UK market)

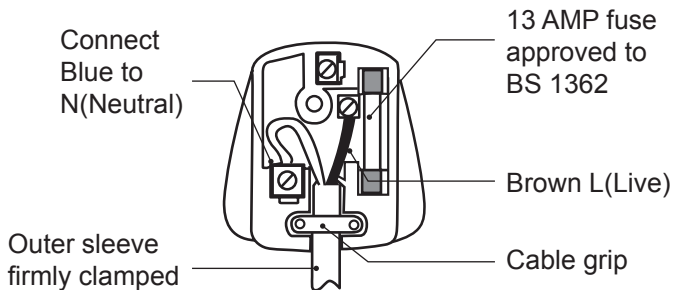
Replacement of the plug shall always be carried out by the manufacturer of the tool or his service organization and follow the instructions below.

IMPORTANT: The wires in the mains lead are coloured in accordance with the following code:

Blue – Neutral

Brown – Live

As the colours of the wire in the mains lead of this product may not correspond with the coloured marking identifying the terminals in your plug, proceed as follows. The wire, which is coloured blue, must be connected to the terminal, which is marked with N or coloured black. The wire, which is coloured brown, must be connected to the terminal, which is marked L or coloured red.



WARNING!

Never connect live or neutral wires to the earth terminal of the plug, which is marked with E.



Only fit an approved 13 Amp BS 1363 or BS 1363/A plug and the correctly rated fuse. If in doubt, consult a qualified electrician.

If a moulded plug is fitted and has to be removed take great care in disposing of the plug and severed cable, it must be destroyed to prevent engaging into a socket.

Transportation



WARNING! Always carry the product by its main handle. Never use the cord for carrying the product.

1. Switch the product off and disconnect it from the power supply.
2. Attach transportation guards, if applicable.
3. Protect the product from any heavy impact or strong vibrations which may occur during transportation in vehicles.
4. Secure the product to prevent it from slipping or falling over.

Storage

1. Switch the product off and disconnect it from the power supply.
2. Clean the product as described above.
3. Store the product and its accessories in a dark, dry, frost-free, well-ventilated place.
4. Always store the product in a place that is inaccessible to children. The ideal storage temperature is between 10 and 30°C.
5. We recommend using the original package for storage or covering the product with a suitable cloth or enclosure to protect it against dust.

Troubleshooting

Suspected malfunctions are often due to causes that the users can fix themselves. Therefore check the product using this section. In most cases the problem can be solved quickly.



WARNING! Only perform the steps described within these instructions! All further inspection, maintenance and repair work must be performed by an authorised service centre or a similarly qualified specialist if you cannot solve the problem yourself!



EN

Problem	Possible cause	Solution
1. Product does not start	1.1 Not connected to power supply 1.2 Power cord or plug is defective 1.3 Other electrical defect to the product	1.1 Connect to power supply 1.2 Check by a specialist electrician. 1.3 Check by a specialist electrician
2. Product does not reach full power	2.1 Extension cord not suitable for operation with this product 2.2 Power source (e.g. generator) has too low voltage 2.3 Air vents are blocked	2.1 Use a proper extension cord 2.2 Connect to another power source 2.3 Clean the air vents
3. Unsatisfactory result	3.1 Accessory not suitable for workpiece material 3.2 Temperature / airflow not suitable for application	3.1 Use proper accessory 3.2 Adjust temperature / air flow

Recycling and disposal



Waste electrical products should not be disposed of with household waste. Please recycle where facilities exist. Check with your local authority or local store for recycling advice.



Guarantee

At **P** power tool we take special care to select high quality materials and use manufacturing techniques that allow us to create ranges of products incorporating design and durability. That's why we offer a 2 year guarantee against manufacturing defects on our **P** power tool products.

This power tool is guaranteed for 2 years from the date of purchase, if bought in store, delivered or if bought online. You may only make a claim under this guarantee upon presentation of your sales receipt or purchase invoice. Please keep your proof of purchase in a safe place.

This guarantee covers product failures and malfunctions provided the **P** power tool was used for the purpose for which it is intended and subject to installation, cleaning, care and maintenance in accordance with standard practice and with the information contained above and in the user manual. This guarantee does not cover defects and damage caused by or resulting from:

- Normal wear and tear
- Overload, misuse or neglect
- Repairs attempted by anyone other than an authorised agent
- Cosmetic damage
- Damage caused by foreign objects, substances or accidents
- Accidental damage or modification
- Failure to follow manufacturer's guidelines
- Loss of use of the goods

This guarantee is limited to parts recognised as defective. It does not, in any case, cover ancillary costs (movement, labour) and direct and indirect damage.

If the **P** power tool is defective during the guarantee period, then we reserve the right, at our discretion, to replace the item with a product of equivalent quality and functionality or to provide a refund.

This guarantee only applies to the country of purchase or delivery and is not transferrable to any other countries. This guarantee is non-transferrable to any other person or product. Relevant local law will apply to this guarantee.

Guarantee related queries should be addressed to a store affiliated with the distributor from where you purchased the **P** power tool.

This guarantee is in addition to and does not affect your statutory rights relating to faulty goods as a consumer.



**Manufacturer, Fabricant, Producent,
Producător, Fabricante:**

UK Manufacturer:
Kingfisher International Products Limited
3 Sheldon Square
London
W2 6PX
United Kingdom

Kingfisher International Products B.V.
Rapenburgerstraat 175E
1011 VM Amsterdam
The Netherlands



www.diy.com
www.screwfix.com
www.screwfix.ie

To view instruction manuals online,
visit www.kingfisher.com/products
