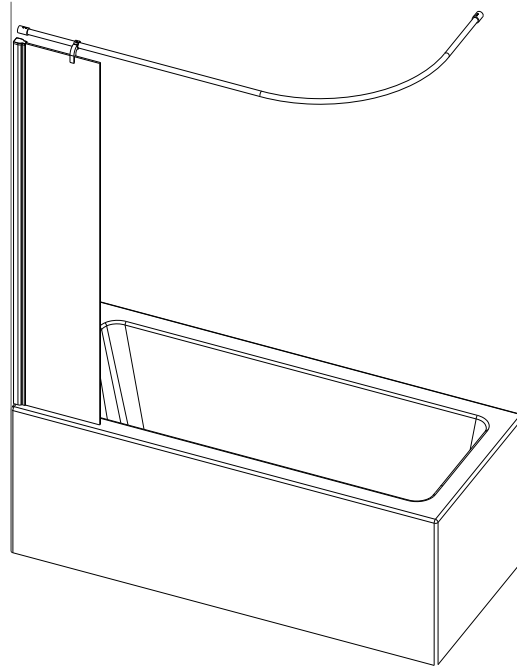


CURTAIN RAIL BATH SCREEN INSTALLATION GUIDE



***Please read these instructions carefully and keep for future reference.
Incorrect fitting will invalidate the guarantee***



SAFETY

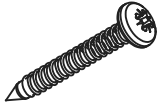




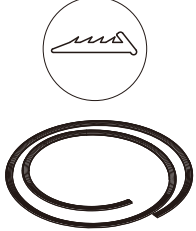
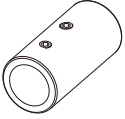

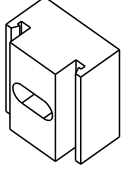
- Handle glass with great care. Although glass is very tough, sharp impacts can damage both the glass and metal frame.
- Make sure there are no hidden pipes or cables hidden in the wall where you intend to drill
- Wear safety goggles, shoes and appropriate clothing



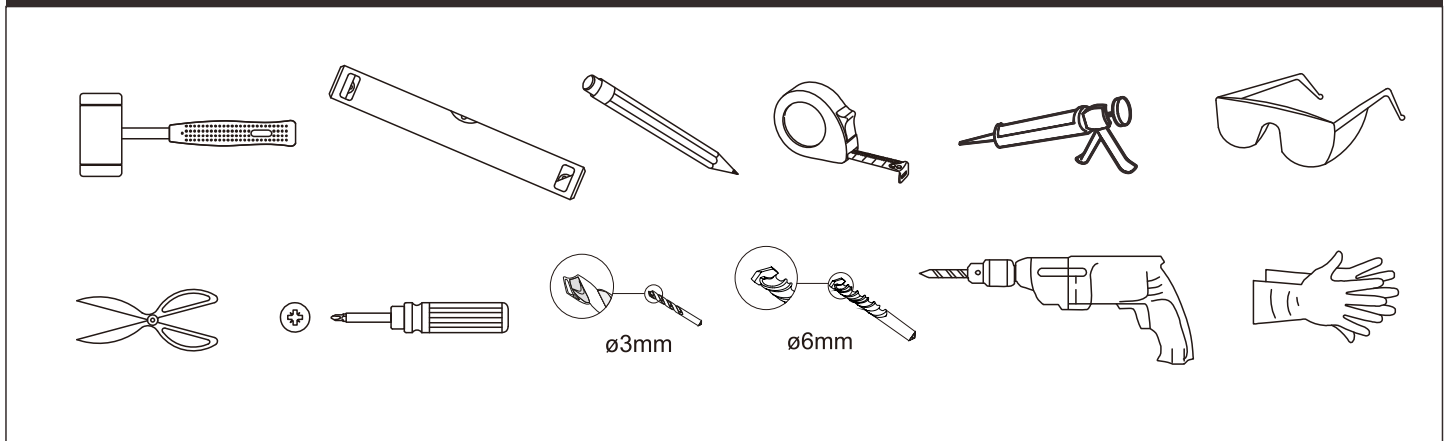
BEFORE INSTALLATION

1. Ensure your bath is level before fitting. This screen is not designed to fit on baths with stepped fronts, roll top rims or integral soap dishes.
2. The screen should be fitted on tiled walls which are sealed with waterproof grout.
3. The tiling or other wall finishing should be effectively sealed at the bath edges.
4. Always check very carefully that all components are present and profiles are vertical.
5. To Avoid damage, use the opened out packaging to build the screen on
Note: The screws and wall plugs supplied are for masonry walls. For lightweight walls i.e. stud partitions, plasterboard etc. use alternative fixings

FIXING KIT COMPONENTS

3		2		5	
1		1		1	
1		1		3	

TOOLS REQUIRED



IMPORTANT !

This bath screen has been designed so that if you are replacing a bath screen you can use the same fixing points in the wall. Follow installation guide STAGE 1

If you are installing this screen and need to drill new holes in the wall (no existing holes) then follow installation guide STAGE 2

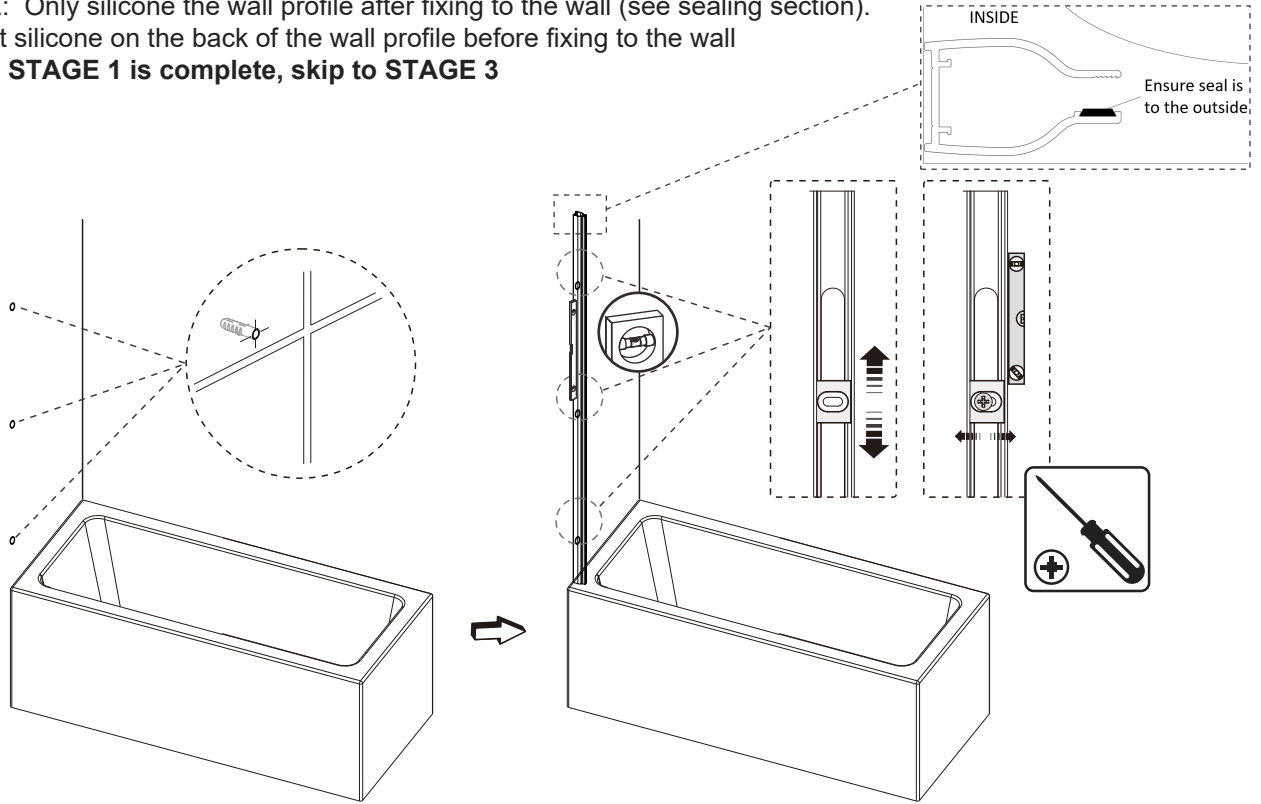
STAGE 1 - For installation using existing holes in the wall

Check the condition of the existing wall plugs and replace if required with supplied wall plugs which are for masonry walls. For lightweight walls i.e. stud partitions, plasterboard etc. use alternative fixings.

NOTE: Only silicone the wall profile after fixing to the wall (see sealing section).

Do not silicone on the back of the wall profile before fixing to the wall

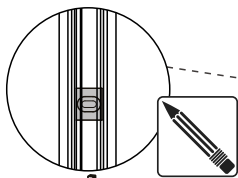
When STAGE 1 is complete, skip to STAGE 3



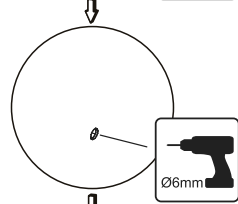
STAGE 2 - For installation where holes in the wall need to be drilled

- Ensure profile is plumb to the wall and positioned to ensure the bathscreen will be on the inside edge of the bath.
- Move the adjusting block so it is located in the correct position for optimum fixing stability, 100mm down from the top of the profile, 100mm up from the bottom of the profile and centered on profile.

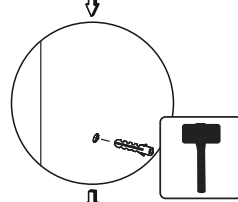
C1. Mark the center of each slot



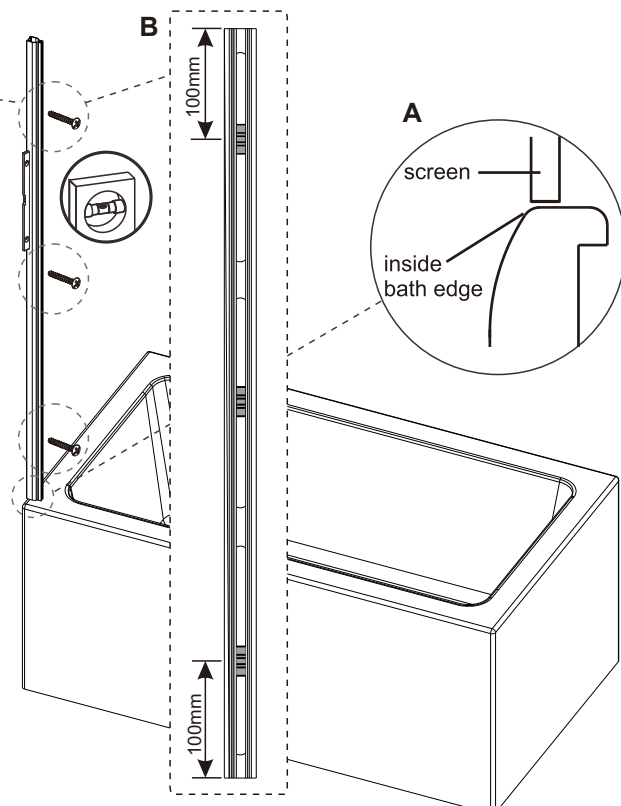
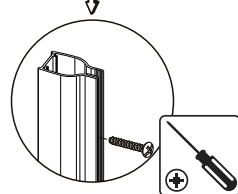
C2. Drill using 6mm bit



C3. Insert wall plug



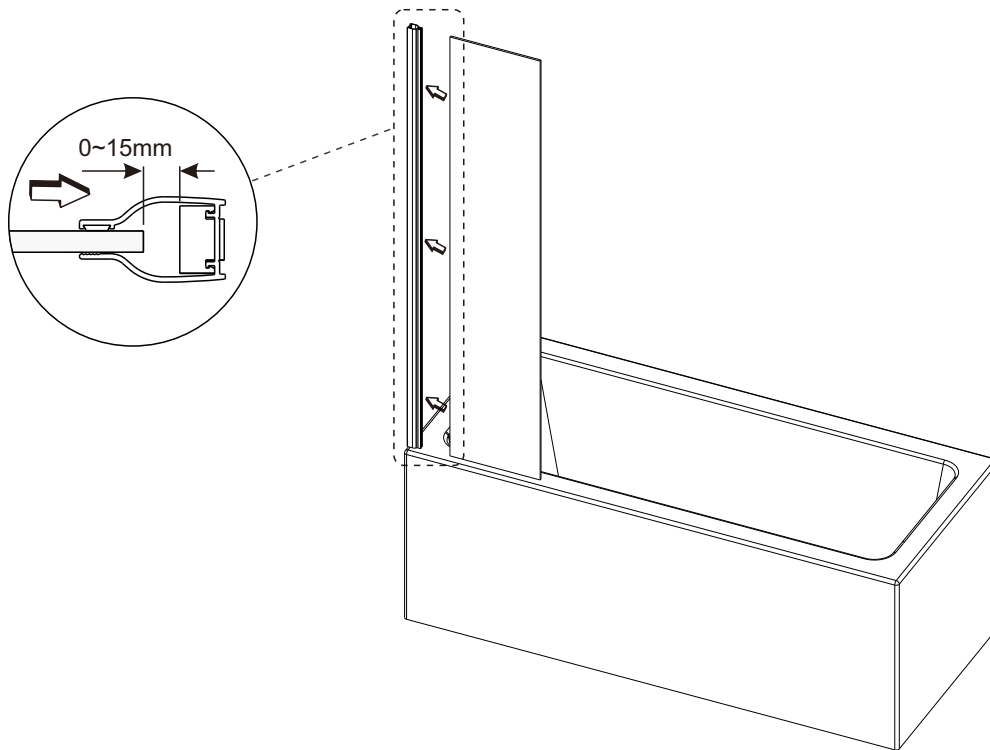
C4. Fix the profile using 4 x 50mm screws provided.



STAGE 3

Insert glass panel into the wall profile.

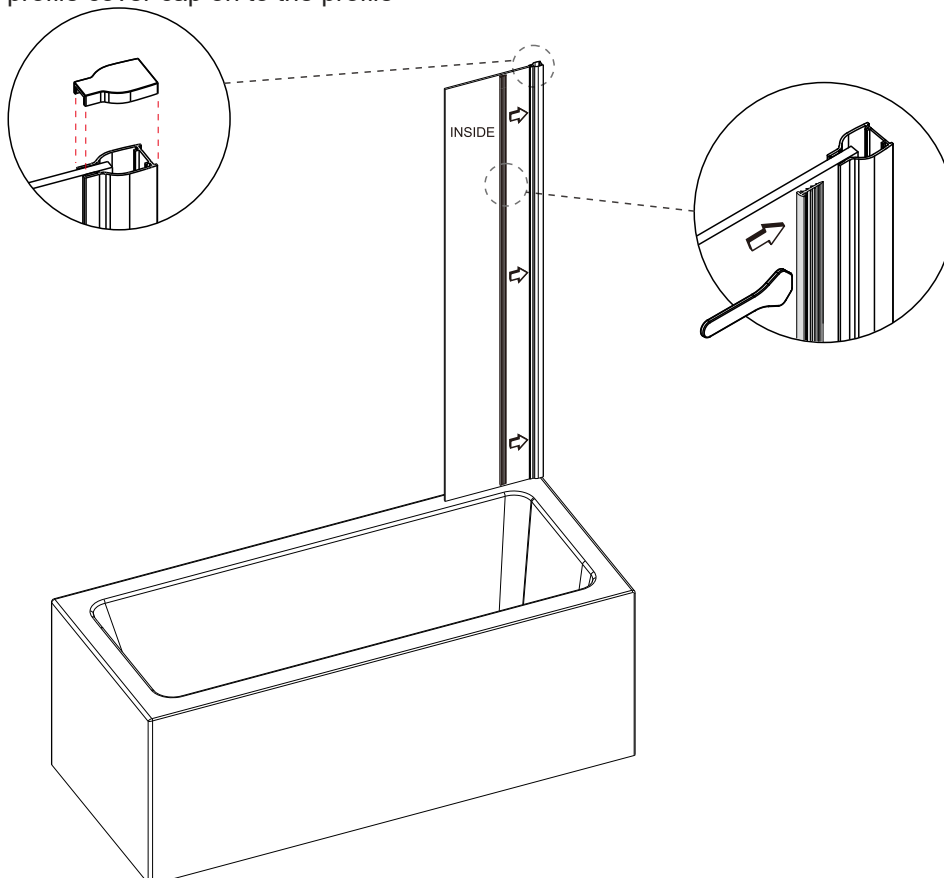
Note: Maximum adjustment of the glass panel in the wall profile is 15mm.



STAGE 4

Insert wedge gasket to the inside of the wall profile using the tool provided. Start at the bottom, pushing the seal in fully all the way up.

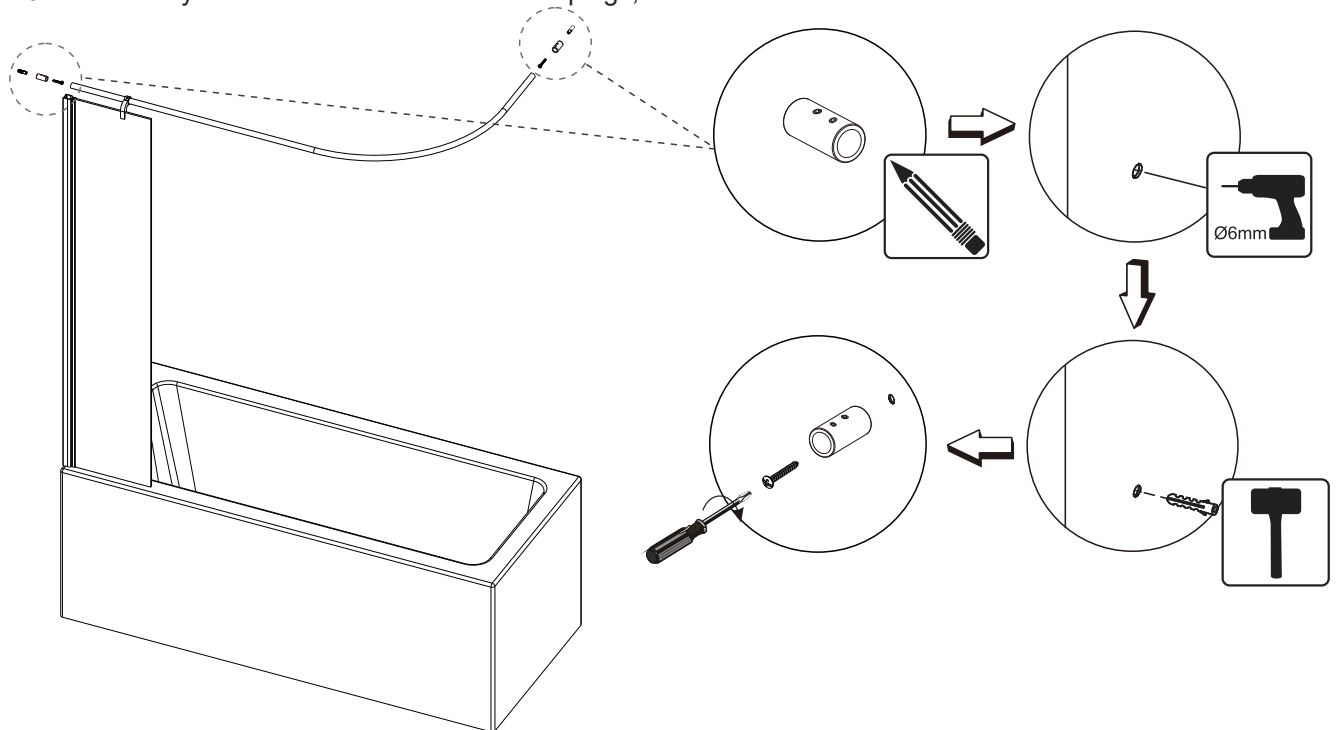
Fit the wall profile cover cap on to the profile



STAGE 5

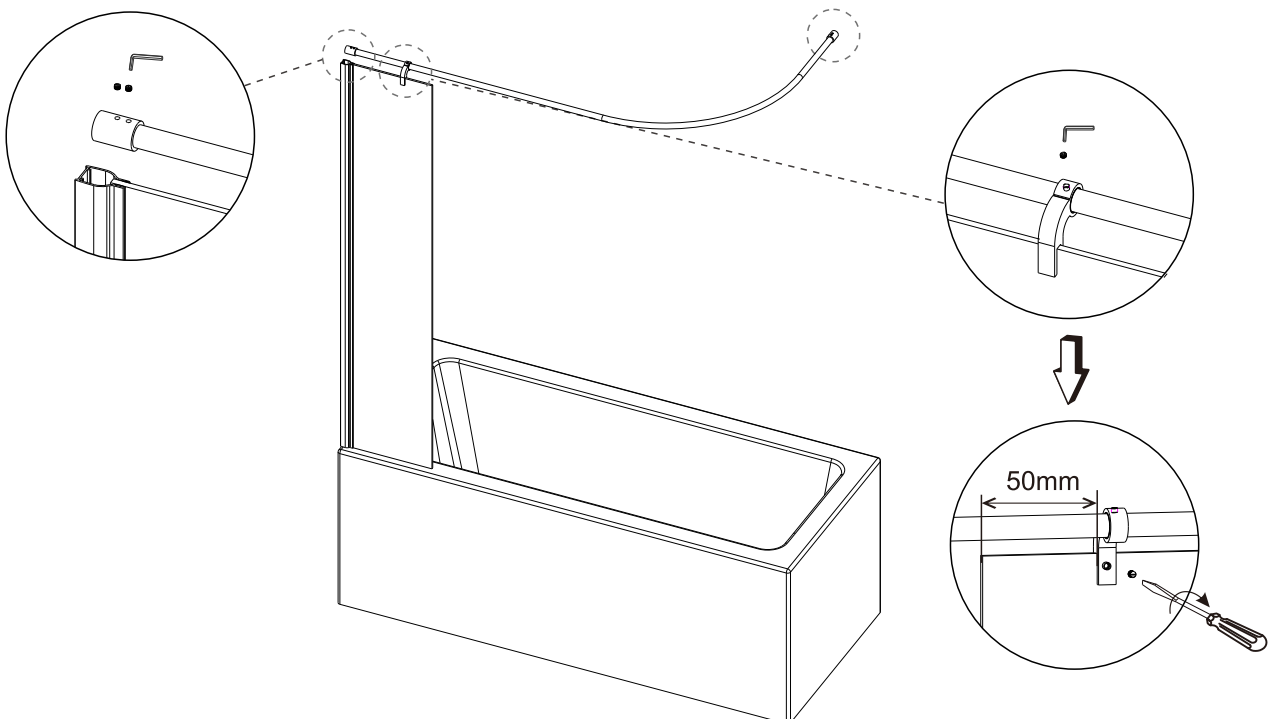
Insert the glass bracket onto the long side of the rail and fit to approx 50mm from the end of the glass panel. Insert the wall bracket onto both ends of the rail and mark the fixing points on the wall. Cut the rail to size if required but make sure to not cut it too short.

Use 6mm masonry bit and then insert the two wall plugs, 2SP12.



STAGE 6

Insert the rail into the wall bracket and tighten the grub screws. Tighten the glass bracket onto the glass. Note: fit the glass bracket approx 50mm from the end of the glass panel for optimum stability.



STAGE 7

Before sealing make sure all surfaces are clean, dry and free from any residue such as grout. Use neutral cure anti bacterial silicone and applicator gun to seal between the wall and the wall profile.

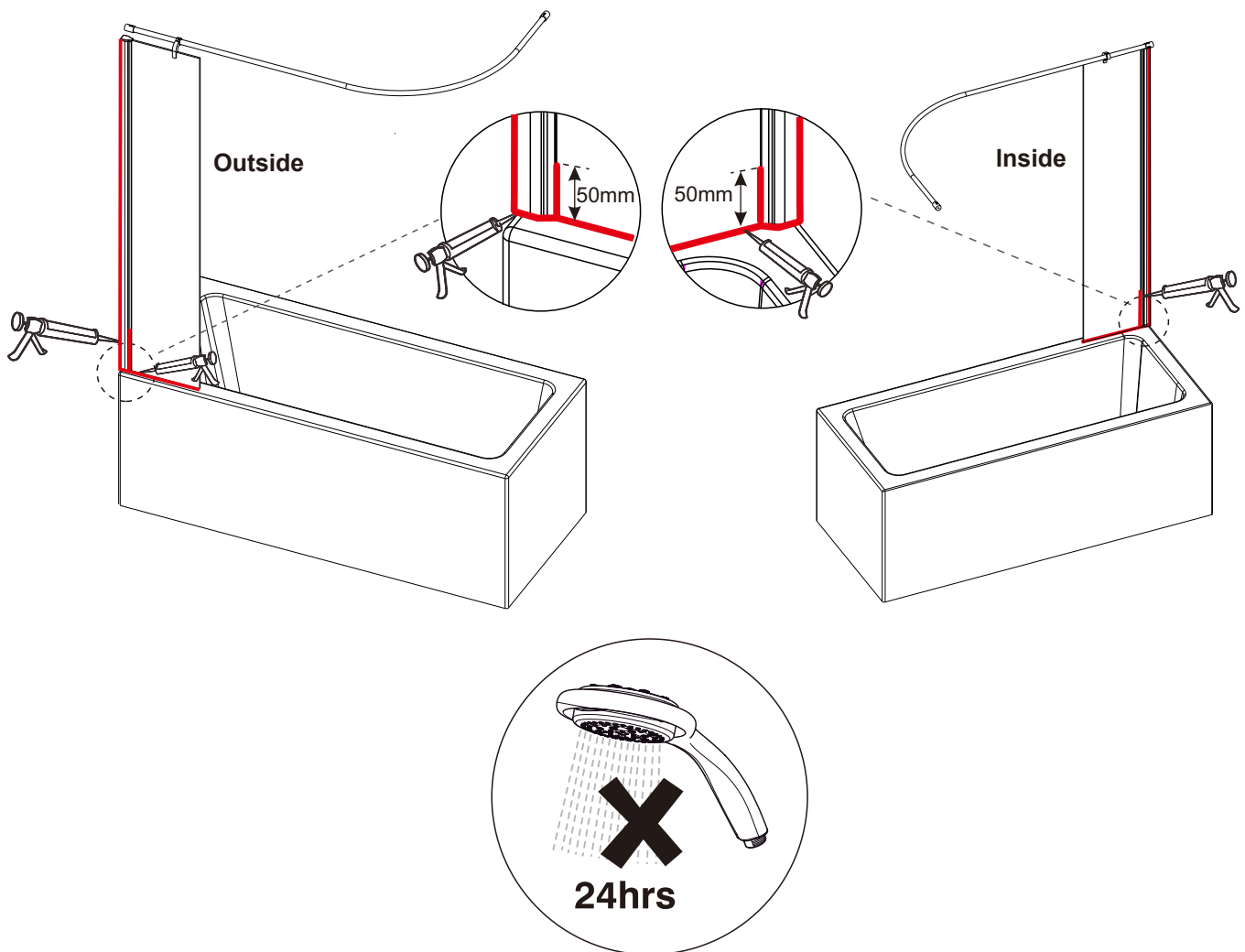
Inside:

Seal top to bottom between the wall profile and the wall. Seal 50mm up from the bottom where the wall profile meets the glass.

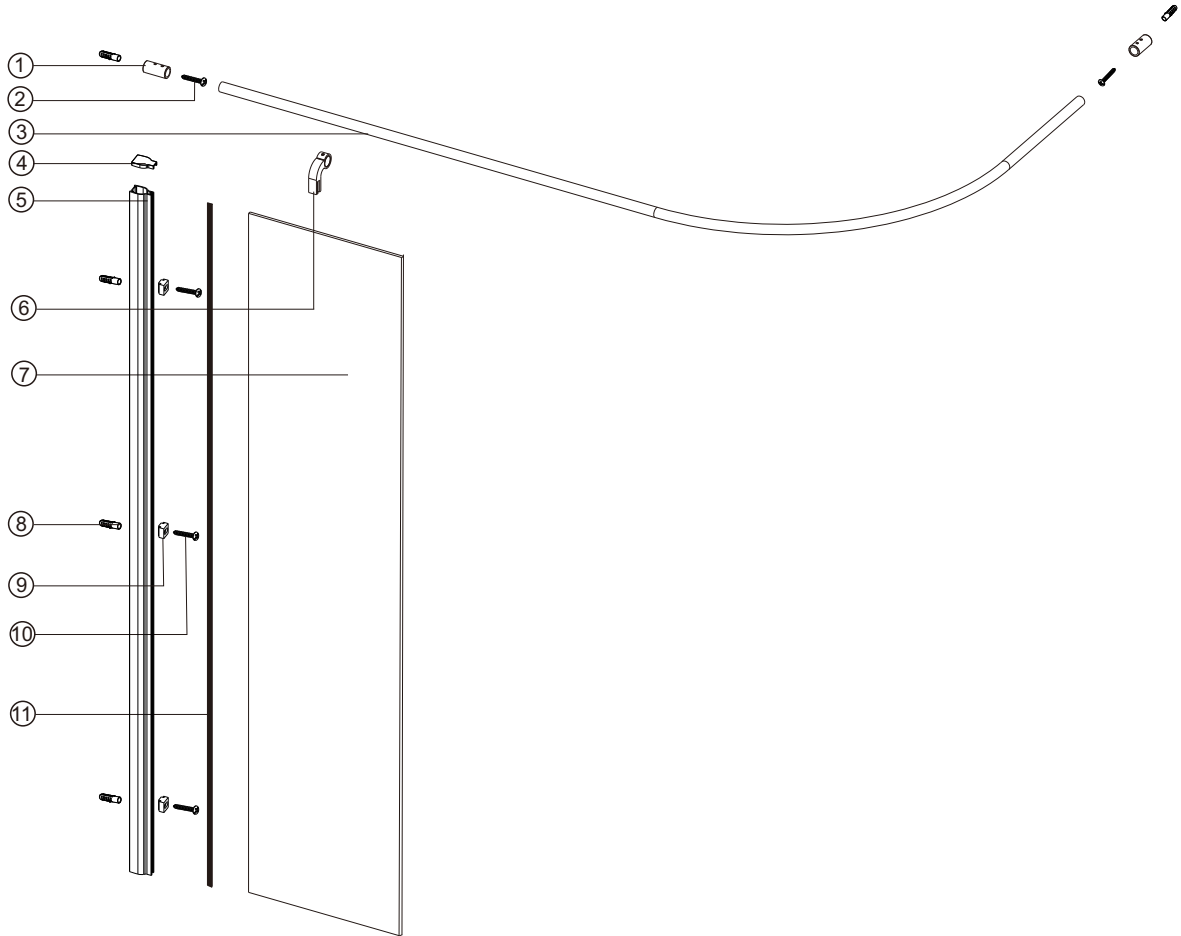
Outside:

Seal top to bottom between the wall profile and the wall. Seal along the full length of the joint between the glass and top of bath. Seal 50mm up from the bottom where the wall profile meets the glass.

DO NOT USE THE BATH SCREEN FOR 24 HOURS AFTER SEALING



PARTS LIST



Item No.	Part List Description	Triton Code
1	Curtain rail wall bracket	SP0S035C
2	Pan head screw ST4X40	A2403001
3	MB5 Curtain rail (Stainless steel)	SP0MOBY018
4	Wall profile top cap	UFLEXCOVCAP
5	Wall profile	UFLEXWALPRF
6	Bracket	SP0S033C
7	Fixed Panel	N/A
8	Wall plug	2SP12
9	Screw block	FLEXBLK
10	Pan head screw ST4X50	SP0D0ST450
11	Wedge gasket	UFLEXWEGSKT