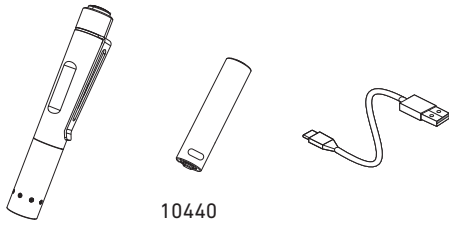
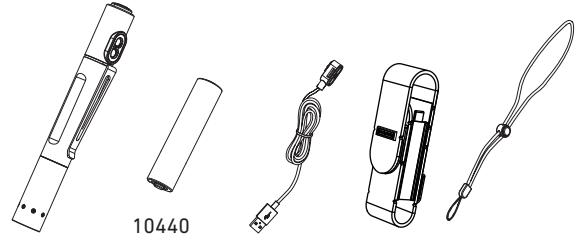


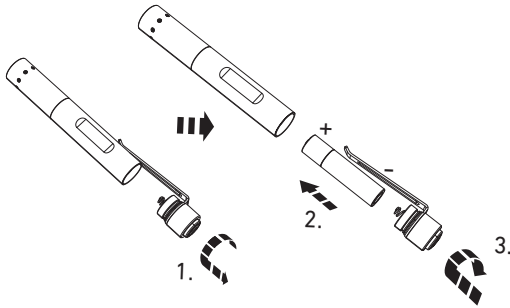
P2R Core



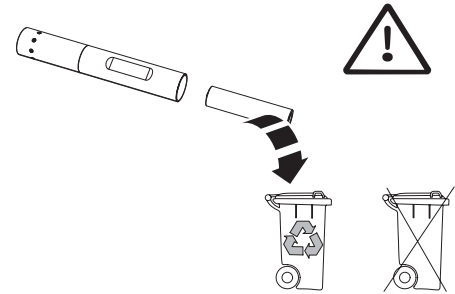
P2R Work



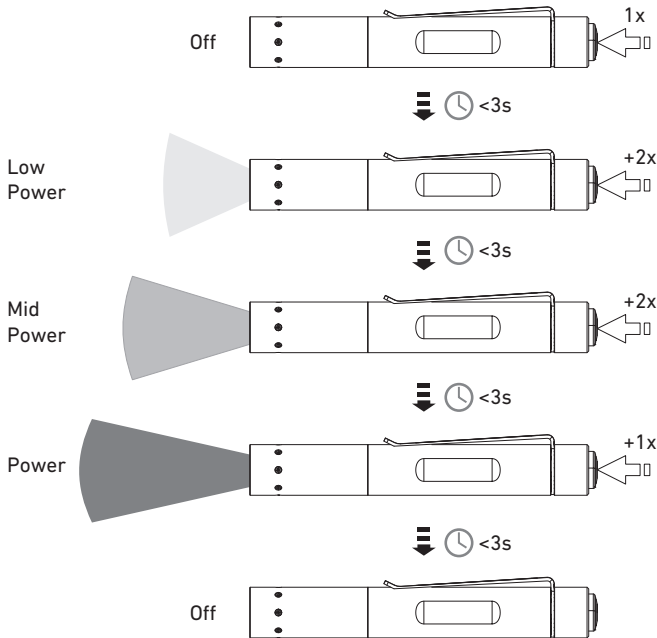
Battery Replacement



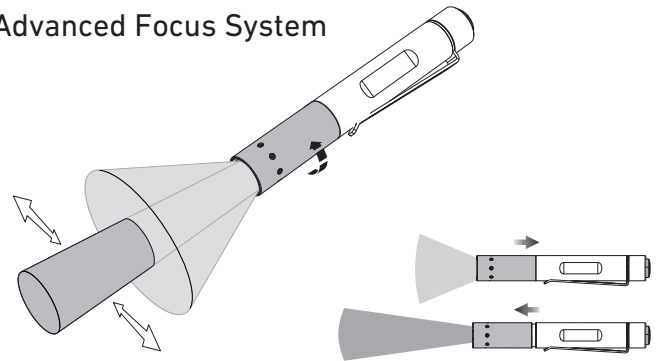
Recycling



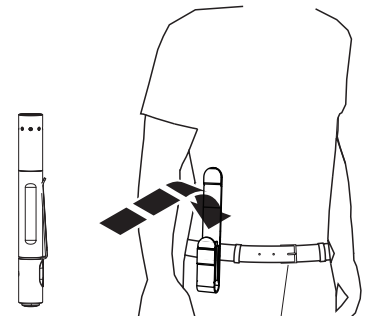
Operation



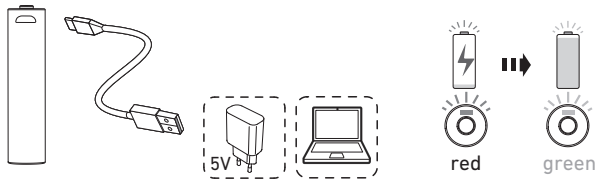
Advanced Focus System



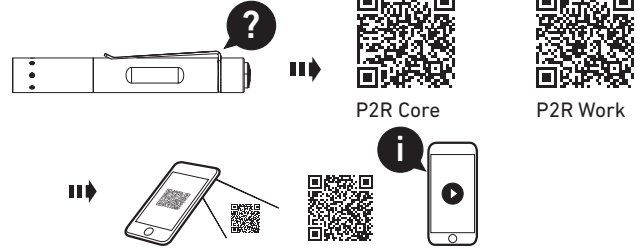
Pouch (P2R Work)



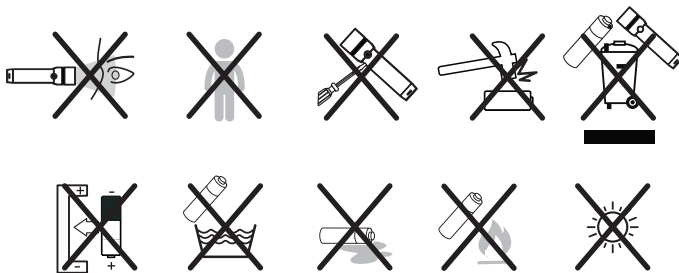
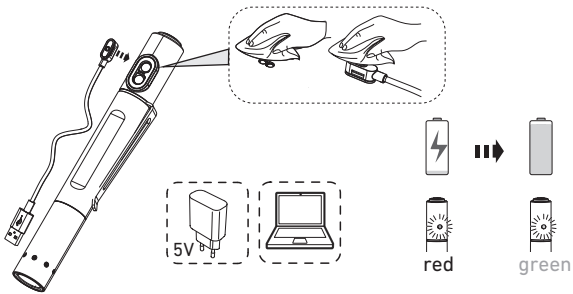
Battery Charging System (P2R Core)



Further Information



Magnetic Charging System (P2R Work)



**Ledlenser GmbH & Co. KG**  
 Kronenstr. 5-7 • 42699 Solingen • Germany  
 Phone +49 212/5948-0 Fax +49 212/5948-200  
 info@ledlenser.com



ledlenser.com



P2R\_V01  
 29.06.2020  
 1J12A0380