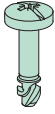

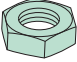

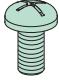


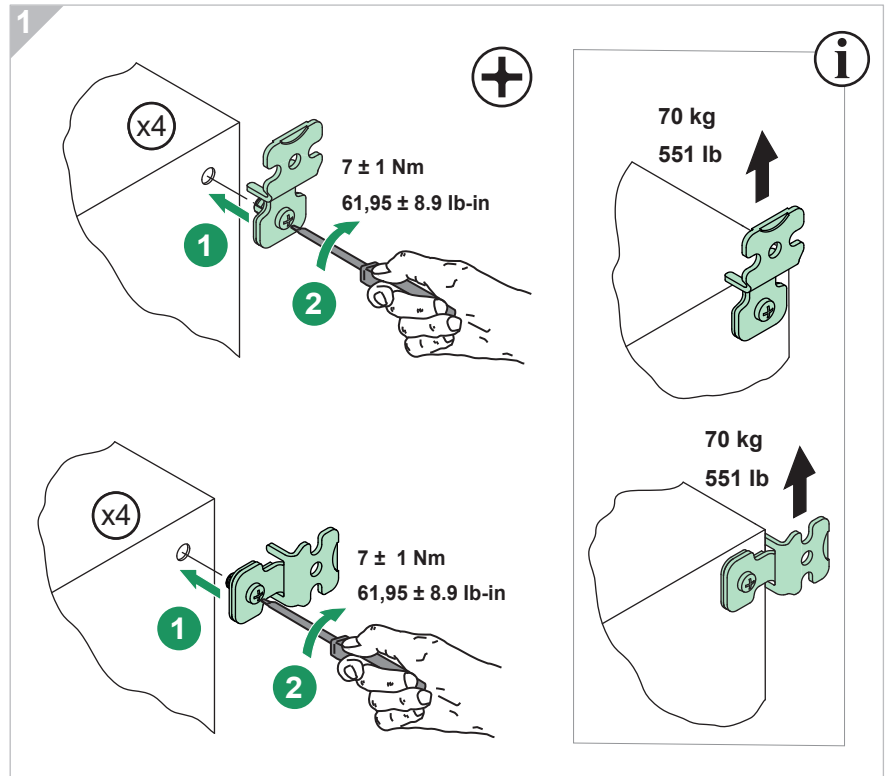
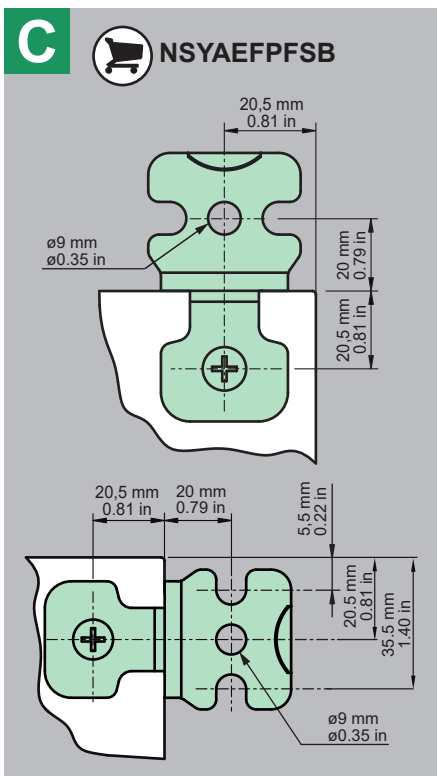
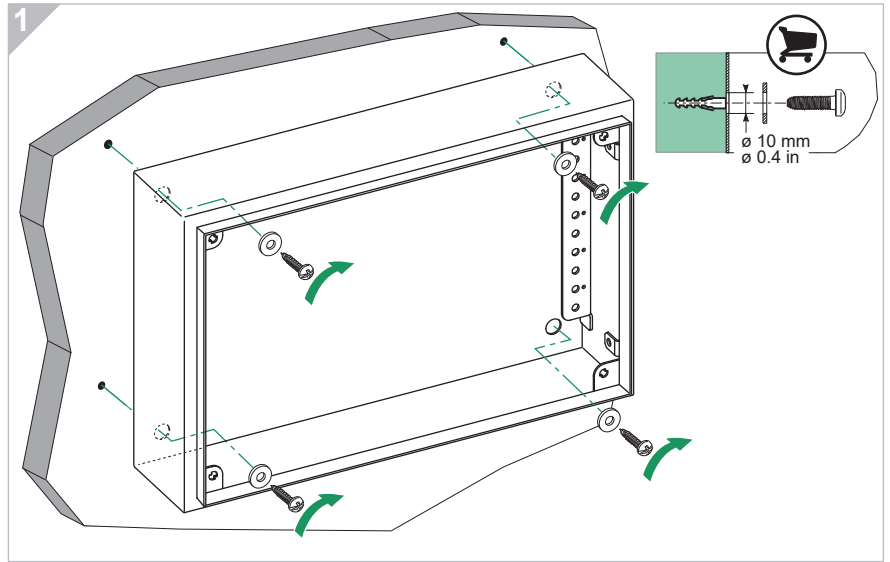
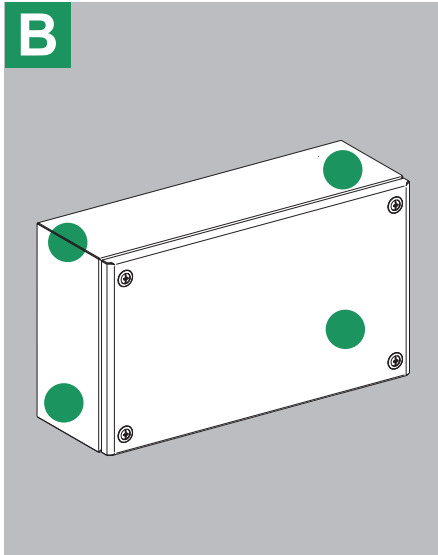
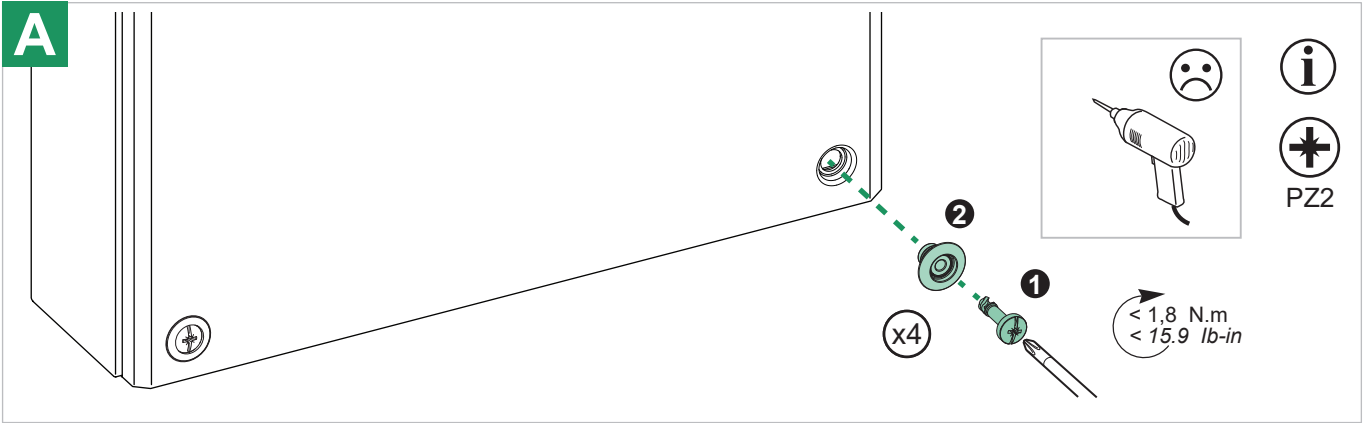
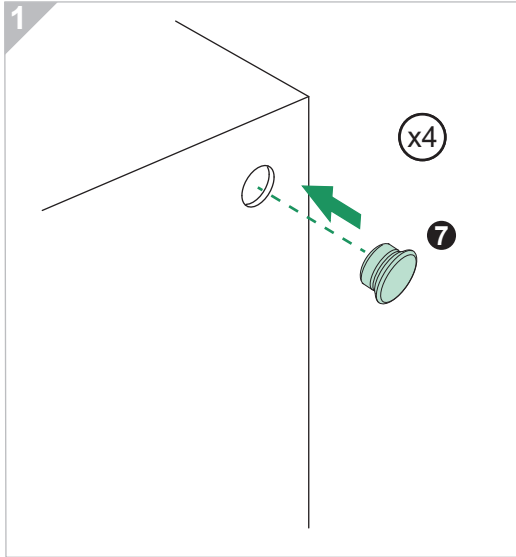
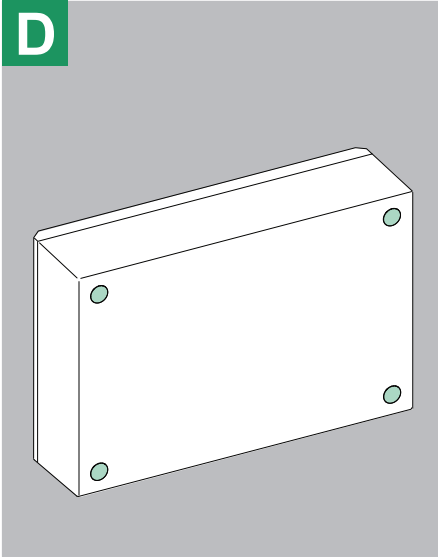
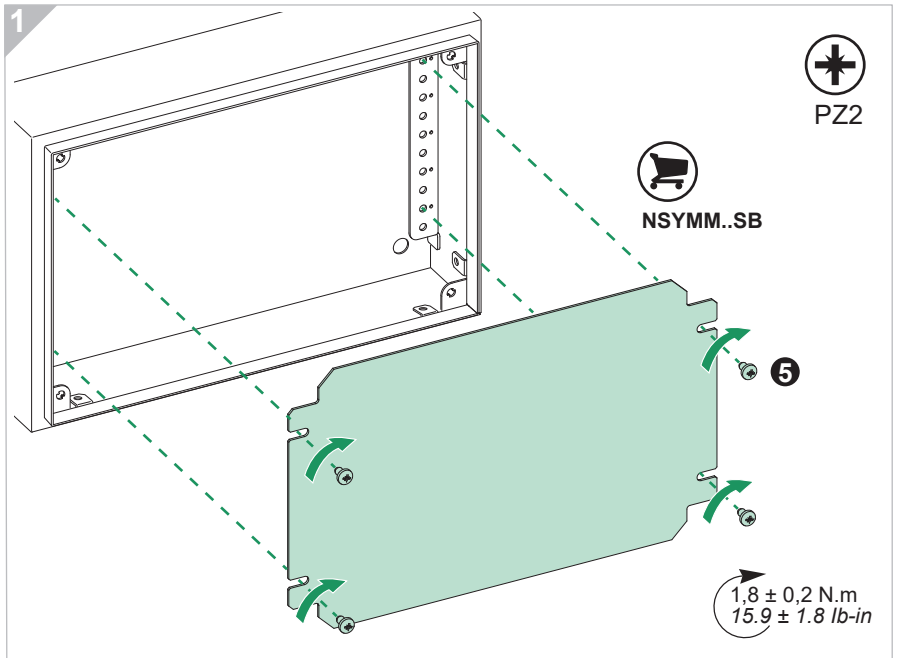
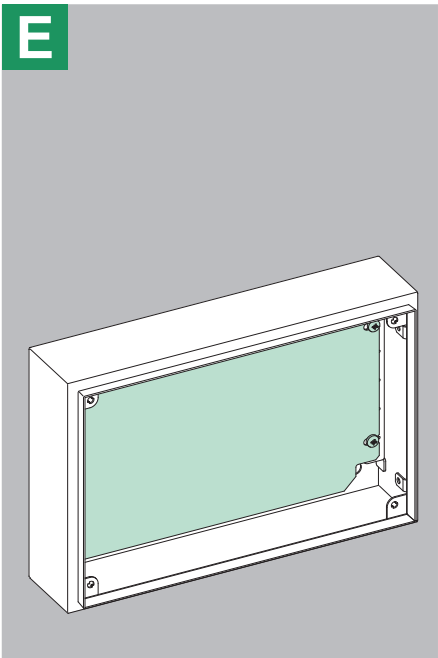
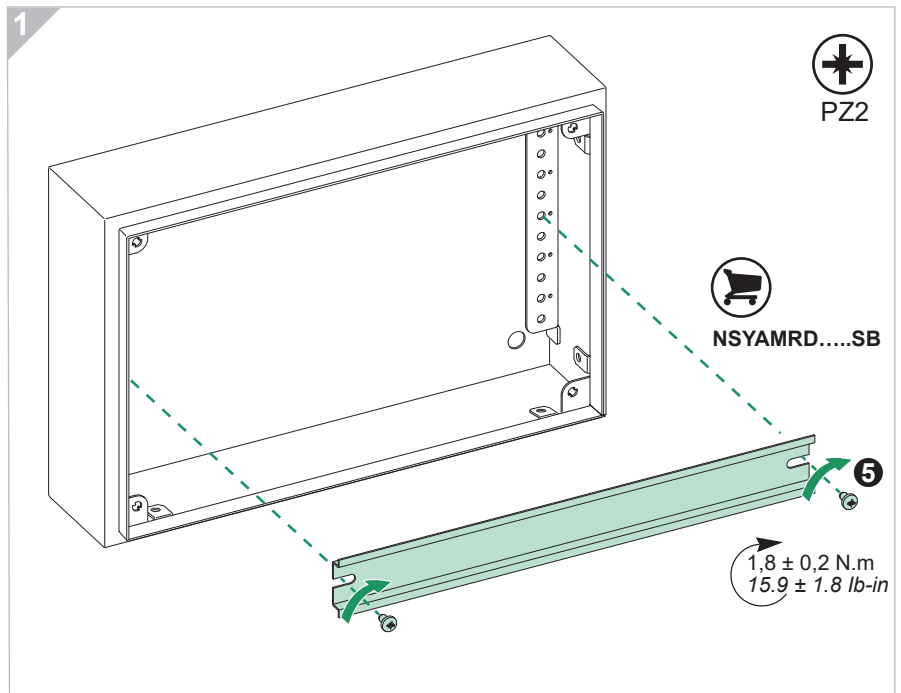
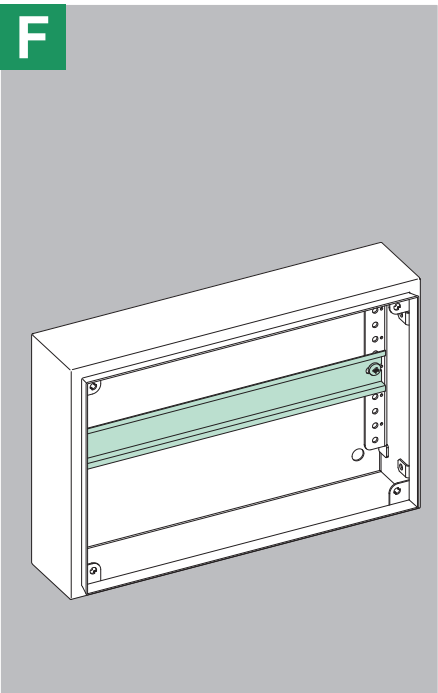


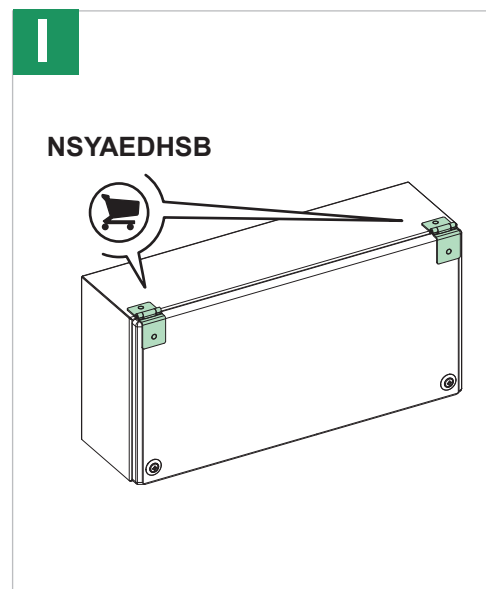
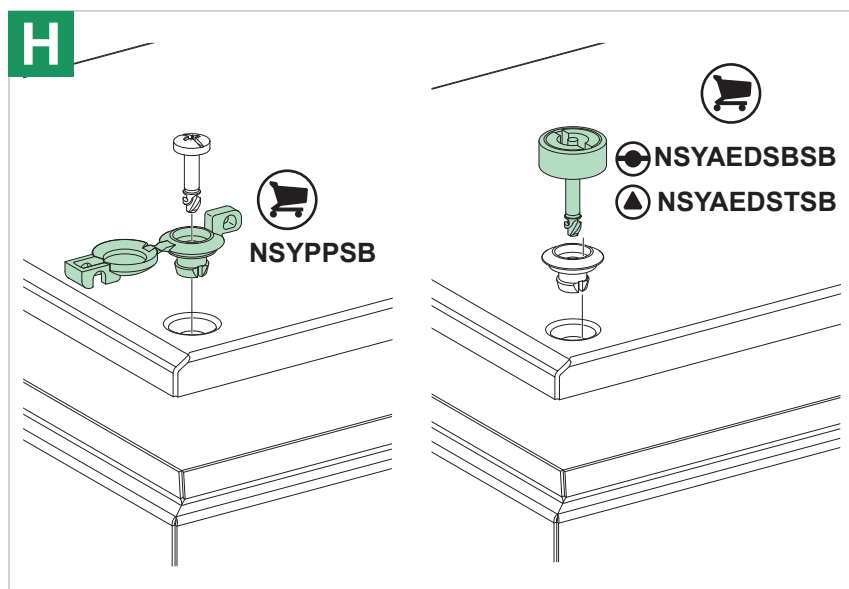
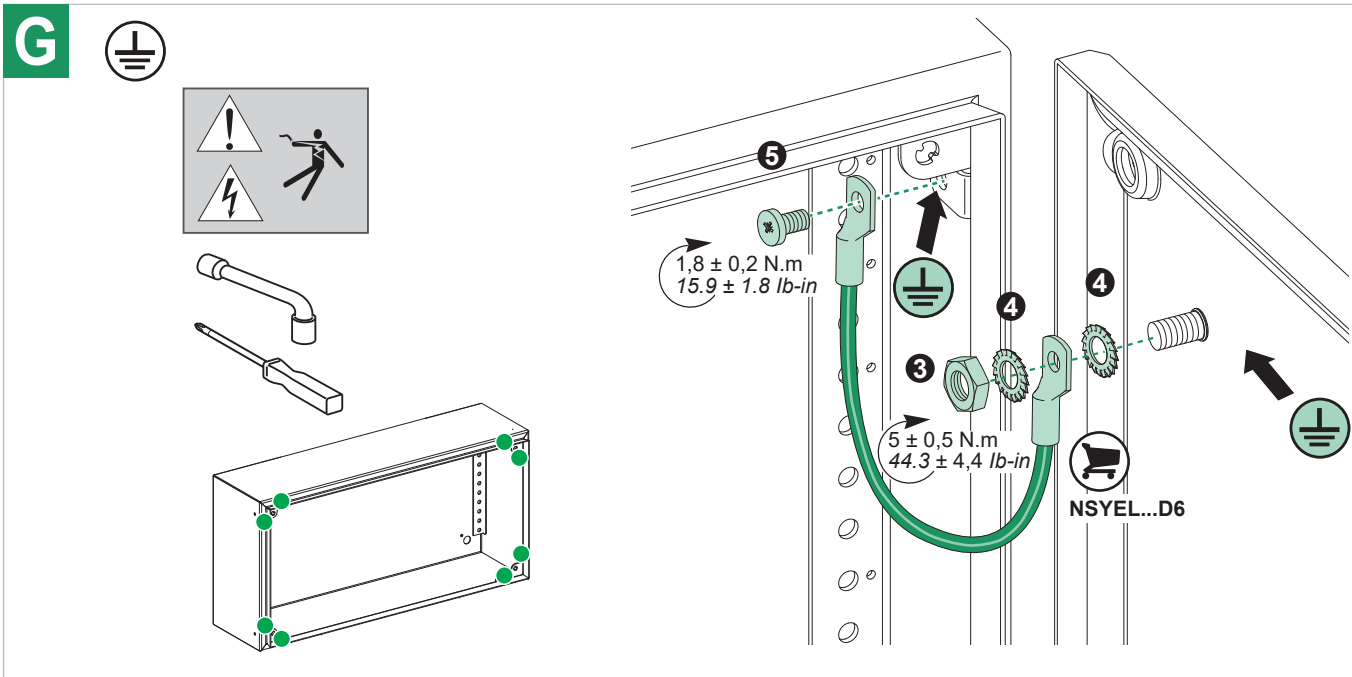
NSYSBM...

1	2	3	4	5	6	7
		H M6 	D D6 	ø5 x 10 		ø10 
x4 x6	x4 x6	x1	x2	x5	x2	x4



To maintain the environmental type rating, all conduit fittings and other components installed in openings made in the enclosures must have its same ratings and only wall fixing bracket kit mode NSYAEFPFSB may be used. When installed as a Type 2 or 3R enclosure, drill drain hole (3.2-6.4 mm (1A/8-1/4 in) diameter) in the lowest part of the bottom wall.

D**E****F**



CAUTION / ATTENTION / ATENCIÓN / VORSICHT / ATTENZIONE / CUIDADO / 小心 / ВНИМАНИЕ	
HAZARD OF EQUIPMENT DAMAGE Respect the information provided in the instruction to ensure the functioning of the product. Failure to follow these instructions can result in injury or equipment damage.	RISQUE DE DETERIORATION DU MATERIEL Respecter les informations fournies sur la notice pour garantir le fonctionnement du produit. Si ces directives ne sont pas respectées, cela peut entraîner des blessures ou des dommages matériels.
RIESGO DE DETERIORO DEL MATERIAL Respetar la información proporcionada en las instrucciones para garantizar el funcionamiento del producto. El incumplimiento de estas instrucciones puede causar lesiones o daño al equipo.	GEFAHR VON MATERIALSCHÄDEN Beachten Sie die Angaben in der Betriebsanleitung zur Verfügung gestellt, um die Funktionsweise des Produkts zu gewährleisten. Die Nichtbeachtung dieser Anweisungen kann Verletzungen oder Sachschäden zur Folge haben.
RISCHIO DI DANNI ALLE APPARECCHIATURE Rispettare le istruzioni fornite per garantire il funzionamento del prodotto Il mancato rispetto di queste istruzioni può provocare infortuni o danni alle apparecchiature.	RISCO DE DETERIORAÇÃO DO MATERIAL Respeitar as informações fornecidas no manual de instruções para assegurar o funcionamento do produto. A não observância destas instruções pode provocar ferimentos pessoais, ou danos no equipamento.
设备受损风险 为保证正常使用该产品请仔细阅读本产品说明书。 不遵循上述说明可能导致人身伤害或设备损坏。	ОПАСНОСТЬ ПОВРЕЖДЕНИЯ ОБОРУДОВАНИЯ Следуйте информации, указанной в инструкции, для гарантии правильного функционирования продукта. Несоблюдение этих инструкций может привести к травме или повреждению оборудования.

Schneider Electric Industries SAS

35, rue Joseph Monier
 CS 30323
 F - 92506 Rueil Malmaison Cedex

RCS Nanterre 954 503 439
 Capital social 896 313 776 €
 www.se.com

S1B9729001-02

© 2020 Schneider Electric - Tous droits réservés - All rights reserved.

En raison de l'évolution des normes et du matériel, les caractéristiques indiquées par le texte et les images de ce document ne nous engagent qu'après confirmation par nos services.

As standards, specifications and designs change from time to time, please ask for confirmation of the information given in this publication.

Publication : Schneider Electric
 Réalisation : Schneider Electric
 Impression :

Released for Manufacturing
 Printed on 2020/08/03



Ce document a été imprimé sur du papier écologique.
 This document has been printed on ecological paper.

06/2020

Product datasheet

Specifications



Metal industrial box plain door H150xW150xD80 IP66 IK10 RAL 7035

Local distributor code:
397088609

NSYSBM15158

EAN Code: 3606480520013

Main

Range	Spacial
Product Name	Spacial SBM
Device Application	Multi-purpose
Category	Industrial box
Device Short Name	SBM
Enclosure Type	Flat face box
Enclosure Nominal Height	150 mm
Enclosure Nominal Width	150 mm
Enclosure Nominal Depth	80 mm
Enclosure Mounting	Wall mounted
Device Composition	4 cover screw 1 cover 1 body
Body Type	Single piece body folded and welded
Type Of Front Cover	Plain door
Cover Fixing	Half turn metal screw
Lock Type	Captive screw PZ2 outside sealed area
Removable Parts	Cover by captive screws

Complementary

Material	Sheet steel
Surface Finish	Polyester powder
Colour	Grey (RAL 7035)
Standards	IEC 62208
Product Certifications	LR DNV-GL UL BV
Ip Degree Of Protection	IP66 conforming to IEC 60529
Ik Degree Of Protection	IK10 conforming to IEC 62262
Ambient Air Temperature For Storage	-35...60 °C
Operating Temperature	-35...80 °C
Net Weight	1.114 kg

Packing Units

Unit Type Of Package 1	PCE
Number Of Units In Package 1	1
Package 1 Height	10.0 cm
Package 1 Width	17.0 cm
Package 1 Length	17.0 cm
Package 1 Weight	1.114 kg
Unit Type Of Package 2	PAL
Number Of Units In Package 2	114
Package 2 Height	120.0 cm
Package 2 Width	80.0 cm
Package 2 Length	45.0 cm
Package 2 Weight	137.0 kg

Contractual warranty

Warranty	18 months
----------	-----------

Sustainability

Green Premium™ label is Schneider Electric's commitment to delivering products with best-in-class environmental performance. Green Premium promises compliance with the latest regulations, transparency on environmental impacts, as well as circular and low-CO₂ products.

Guide to assessing product sustainability is a white paper that clarifies global eco-label standards and how to interpret environmental declarations.

[Learn more about Green Premium >](#)

[Guide to assess a product's sustainability >](#)



Transparency RoHS/REACH

Well-being performance

✓ Reach Free Of Svhc

✓ Toxic Heavy Metal Free

✓ Mercury Free

✓ Rohs Exemption Information Yes

Certifications & Standards

Reach Regulation

[REACH Declaration](#)

Eu Rohs Directive

Pro-active compliance (Product out of EU RoHS legal scope)

[EU RoHS Declaration](#)

China Rohs Regulation

[China RoHS declaration](#)

Pro-active China RoHS declaration (out of China RoHS legal scope)

Environmental Disclosure

[Product Environmental Profile](#)

Circularity Profile

No need of specific recycling operations