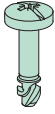

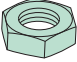

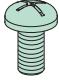


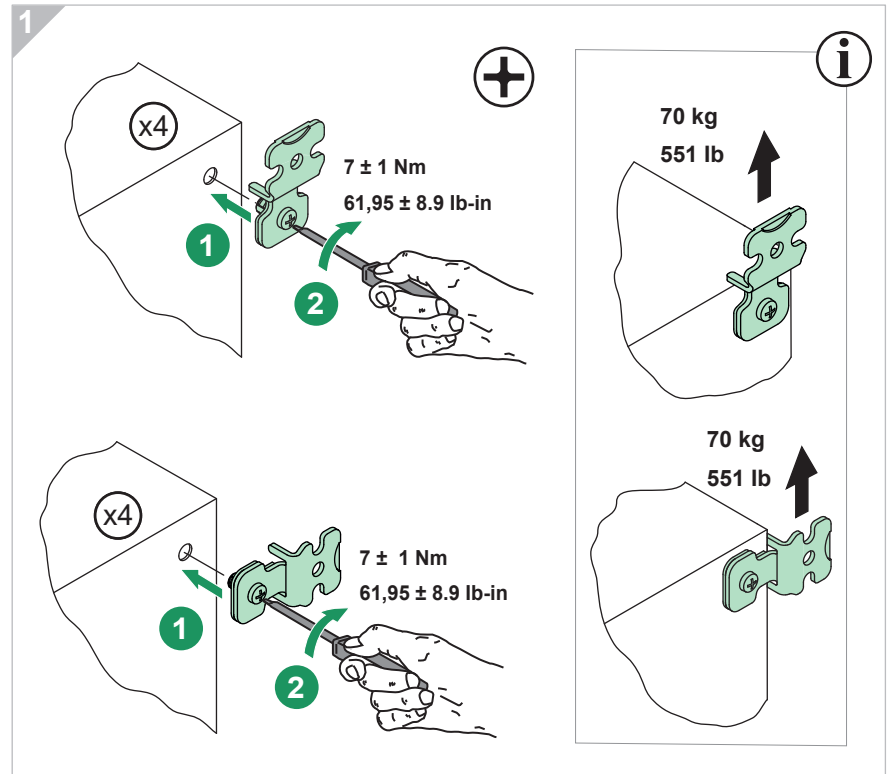
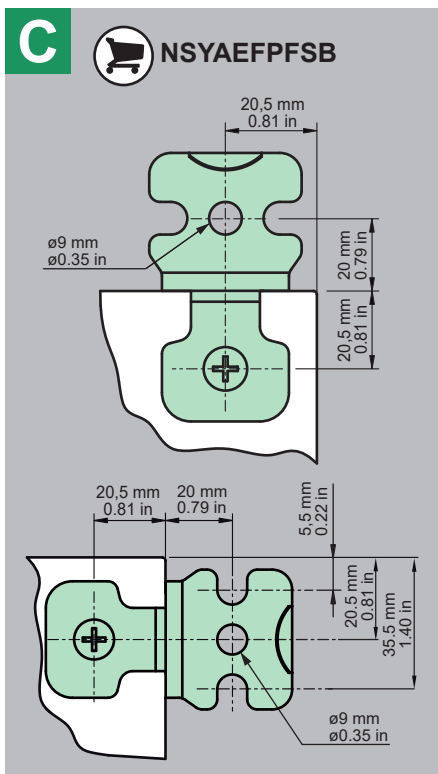
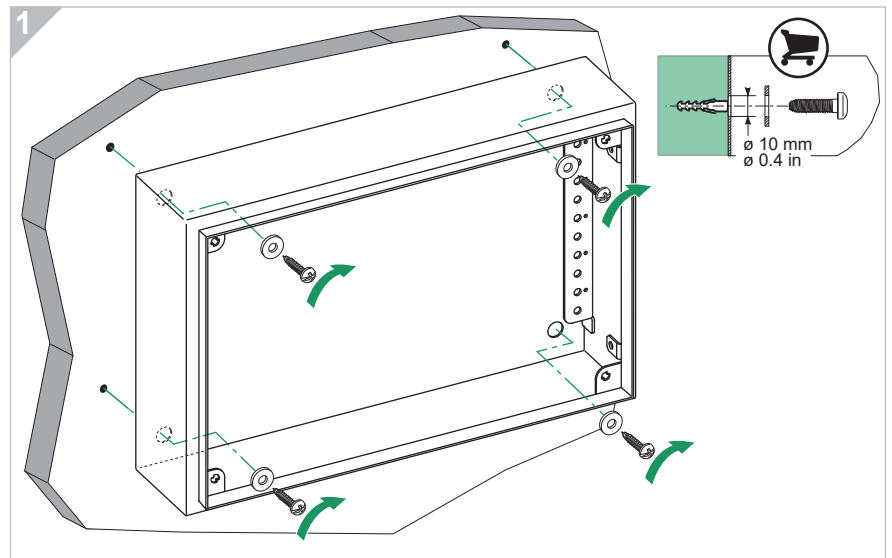
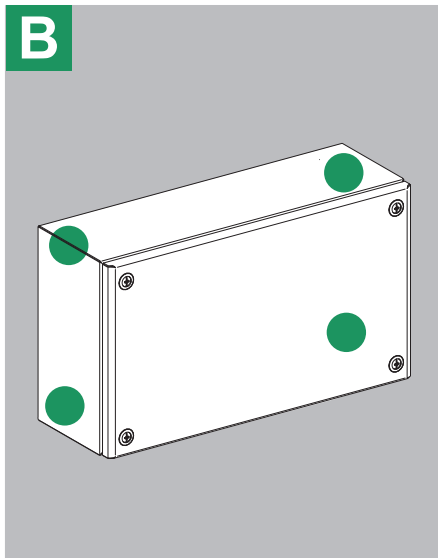
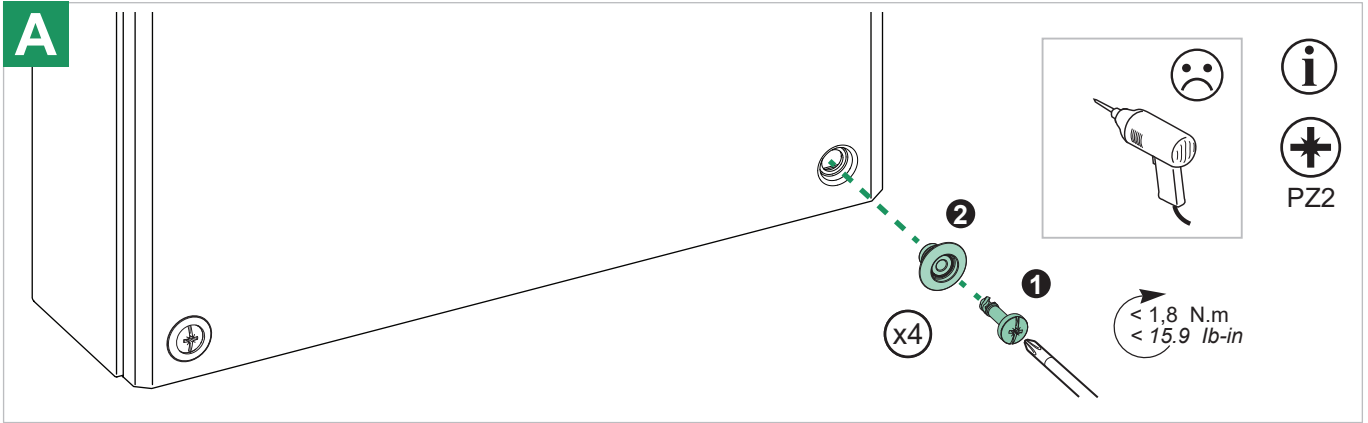
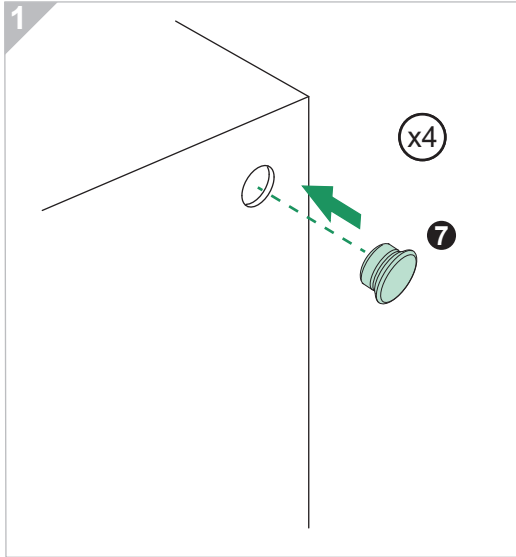
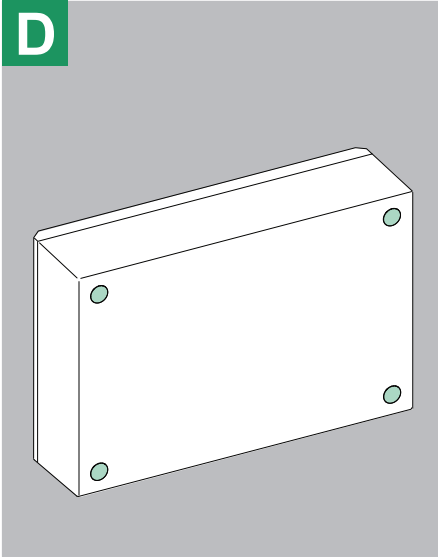
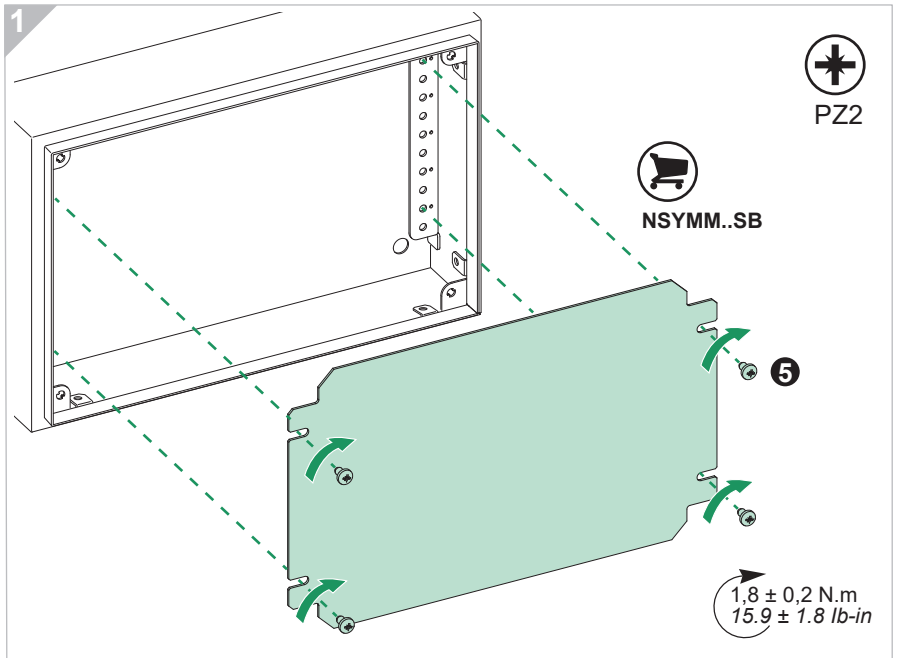
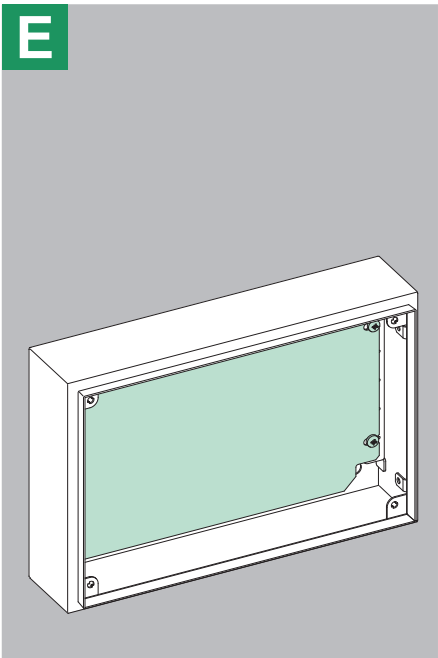
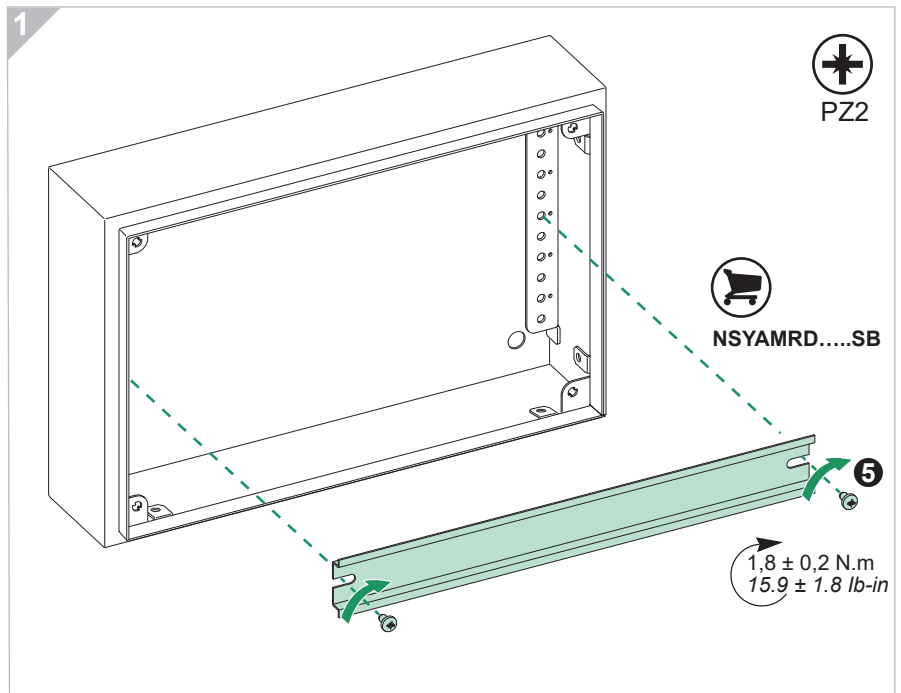
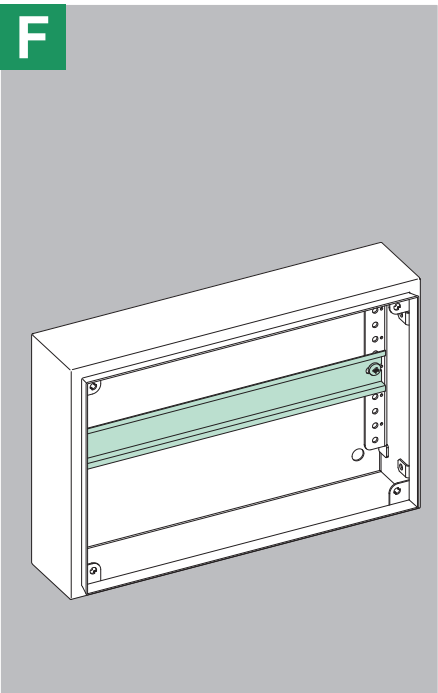


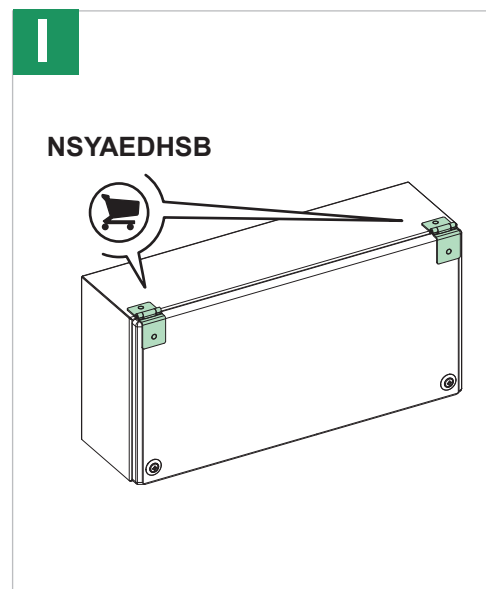
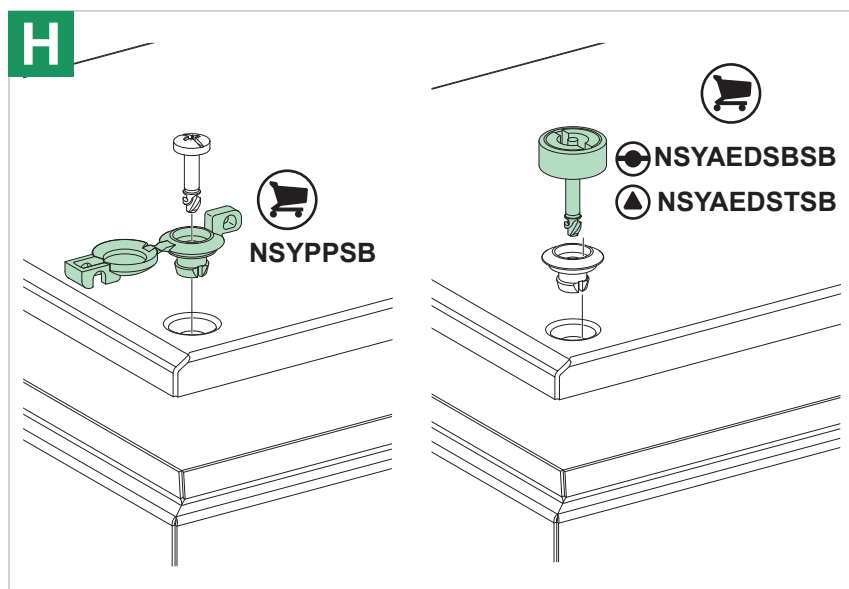
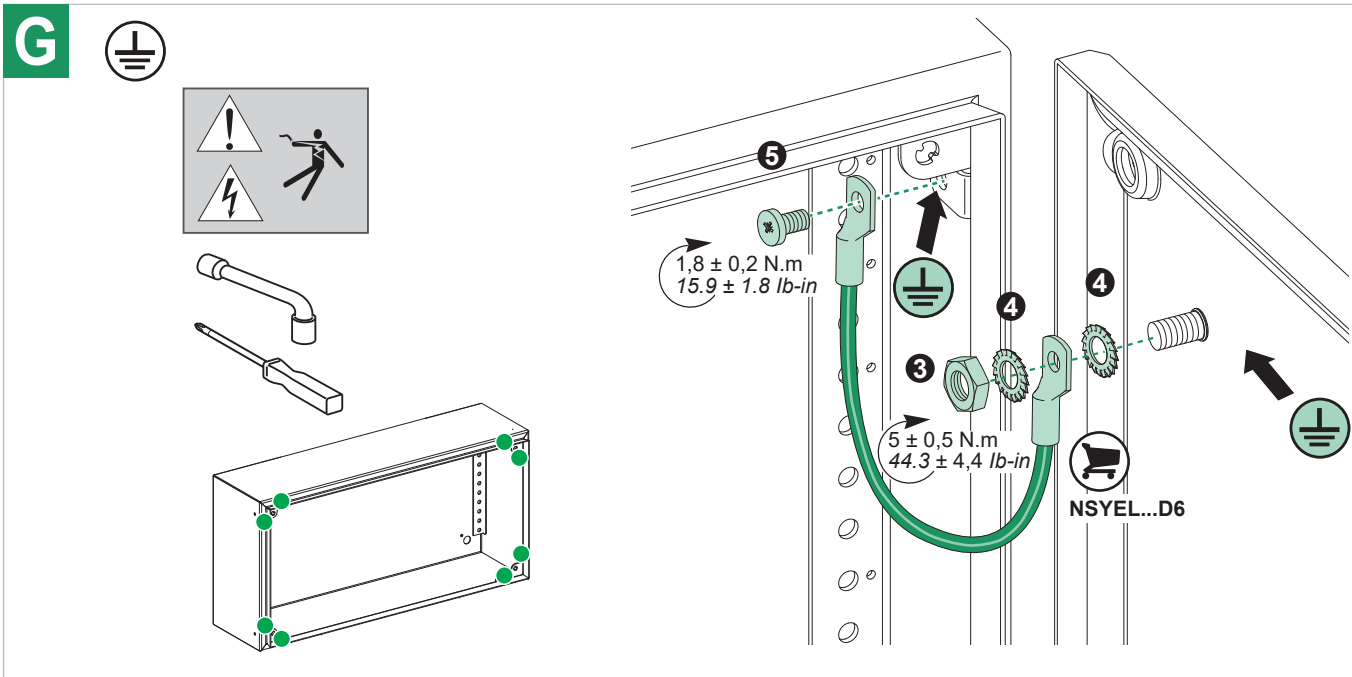
NSYSBM...

1	2	3	4	5	6	7
						
x4 x6	x4 x6	H M6 x1	D D6 x2	ø5 x 10 x5	x2	ø10 x4



To maintain the environmental type rating, all conduit fittings and other components installed in openings made in the enclosures must have its same ratings and only wall fixing bracket kit mode NSYAEFPFSB may be used. When installed as a Type 2 or 3R enclosure, drill drain hole (3.2-6.4 mm (1A/8-1/4 in) diameter) in the lowest part of the bottom wall.

D**E****F**



CAUTION / ATTENTION / ATENCIÓN / VORSICHT / ATTENZIONE / CUIDADO / 小心 / ВНИМАНИЕ	
HAZARD OF EQUIPMENT DAMAGE Respect the information provided in the instruction to ensure the functioning of the product. Failure to follow these instructions can result in injury or equipment damage.	RISQUE DE DETERIORATION DU MATERIEL Respecter les informations fournies sur la notice pour garantir le fonctionnement du produit. Si ces directives ne sont pas respectées, cela peut entraîner des blessures ou des dommages matériels.
RIESGO DE DETERIORO DEL MATERIAL Respetar la información proporcionada en las instrucciones para garantizar el funcionamiento del producto. El incumplimiento de estas instrucciones puede causar lesiones o daño al equipo.	GEFAHR VON MATERIALSCHÄDEN Beachten Sie die Angaben in der Betriebsanleitung zur Verfügung gestellt, um die Funktionsweise des Produkts zu gewährleisten. Die Nichtbeachtung dieser Anweisungen kann Verletzungen oder Sachschäden zur Folge haben.
RISCHIO DI DANNI ALLE APPARECCHIATURE Rispettare le istruzioni fornite per garantire il funzionamento del prodotto Il mancato rispetto di queste istruzioni può provocare infortuni o danni alle apparecchiature.	RISCO DE DETERIORAÇÃO DO MATERIAL Respeitar as informações fornecidas no manual de instruções para assegurar o funcionamento do produto. A não observância destas instruções pode provocar ferimentos pessoais, ou danos no equipamento.
设备受损风险 为保证正常使用该产品请仔细阅读本产品说明书。 不遵循上述说明可能导致人身伤害或设备损坏。	ОПАСНОСТЬ ПОВРЕЖДЕНИЯ ОБОРУДОВАНИЯ Следуйте информации, указанной в инструкции, для гарантии правильного функционирования продукта. Несоблюдение этих инструкций может привести к травме или повреждению оборудования.

Schneider Electric Industries SAS

35, rue Joseph Monier
 CS 30323
 F - 92506 Rueil Malmaison Cedex

RCS Nanterre 954 503 439
 Capital social 896 313 776 €
 www.se.com

S1B9729001-02

© 2020 Schneider Electric - Tous droits réservés - All rights reserved.

En raison de l'évolution des normes et du matériel, les caractéristiques indiquées par le texte et les images de ce document ne nous engagent qu'après confirmation par nos services.

As standards, specifications and designs change from time to time, please ask for confirmation of the information given in this publication.

Publication : Schneider Electric
 Réalisation : Schneider Electric
 Impression :

Released for Manufacturing
 Printed on 2020/08/03



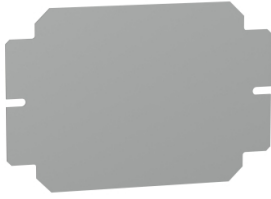
Ce document a été imprimé sur du papier écologique.

This document has been printed on ecological paper.

06/2020

Product datasheet

Specifications



Plain mounting plate H150xW200mm made of galvanised sheet steel

Local distributor code:
397090749

NSYMM12SB

EAN Code: 3606480520518

Main

Range	Spacial
Accessory / Separate Part Category	Mounting accessory
Product Or Component Type	Mounting plate
Device Application	Multi-purpose
Enclosure Nominal Dimensions	-
Mounting Location	Bottom of enclosure
Mounting Plate Description	Plain
Range Compatibility	Spacial Spacial SBM
Device Composition	1 mounting plate
Material	Galvanised steel
Surface Finish	Metallic

Complementary

Fixing Mode	By 2 screws - screw type Ø5 mm self-tapping screws - bottom of enclosure location
Permanent Permissible Load	1.5 kg back of the enclosure
Height	125 mm nominal:
Width	185 mm nominal: 164 mm fixing centers:
Surface And Useful Surface	Nominal: 30000 mm ²
Thickness	1.5 mm
Net Weight	0.254 kg

Packing Units

Unit Type Of Package 1	PCE
Number Of Units In Package 1	1
Package 1 Height	0.3 cm
Package 1 Width	13 cm
Package 1 Length	19 cm
Package 1 Weight	254 g
Unit Type Of Package 2	CAR
Number Of Units In Package 2	30
Package 2 Height	20 cm

Package 2 Width	16 cm
Package 2 Length	10.5 cm
Package 2 Weight	7.7 kg
Unit Type Of Package 3	PAM
Number Of Units In Package 3	1500
Package 3 Height	45 cm
Package 3 Width	100 cm
Package 3 Length	120 cm
Package 3 Weight	399.4 kg

Contractual warranty

Warranty	18 months
----------	-----------

Sustainability

Green Premium™ label is Schneider Electric's commitment to delivering products with best-in-class environmental performance. Green Premium promises compliance with the latest regulations, transparency on environmental impacts, as well as circular and low-CO₂ products.

Guide to assessing product sustainability is a white paper that clarifies global eco-label standards and how to interpret environmental declarations.

[Learn more about Green Premium >](#)

[Guide to assess a product's sustainability >](#)



Transparency RoHS/REACH

Well-being performance

✓ Reach Free Of Svhc

✓ Toxic Heavy Metal Free

✓ Mercury Free

✓ Rohs Exemption Information Yes

Certifications & Standards

Reach Regulation

[REACH Declaration](#)

Eu Rohs Directive

Pro-active compliance (Product out of EU RoHS legal scope)

[EU RoHS Declaration](#)

China Rohs Regulation

[China RoHS declaration](#)

Pro-active China RoHS declaration (out of China RoHS legal scope)

Environmental Disclosure

[Product Environmental Profile](#)

Circularity Profile

No need of specific recycling operations