

Technical: wiring accessories

Lisse Screwless Deco

Telephone, radio and TV outlets



GGBL7051BSS



GGBL7062BSS



GGBL7010WSS



GGBL70042WSS

Description

A high quality range of decorative telephone, radio and TV outlets designed for both residential and commercial installations. This family of products benefits from all of the time and space saving design features of the Lisse Screwless Deco range. This ensures faster ordering, fewer part references, and greater flexibility for future upgrades.

Features & benefits

- Large plate footprint provides extra strength and reduces the need for additional decorating.
- Ergonomic design with consistent plate profiles throughout the range, allowing accessories to be mounted adjacently.
- 7mm raised edge offers easy installation for new buildings and retrofits.

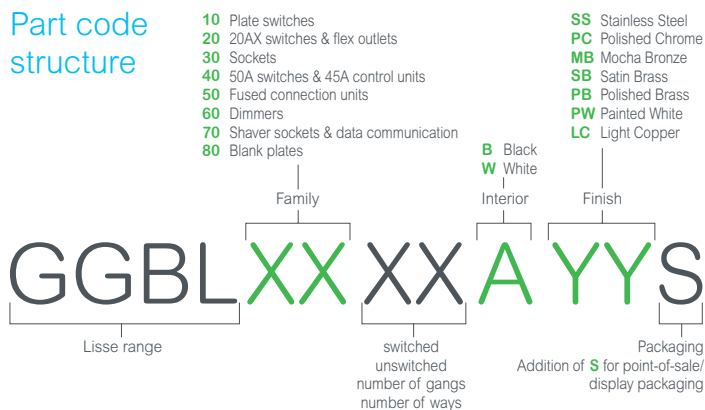
Technical specifications	
Dimensions:	87 x 87mm
Operating temperature:	0°C to 45°C *Not to exceed an average of more than 25°C in any 24h period (USB charger only)
Mounting box depth:	25mm 35mm
Fixing screws:	M3.5 x 18mm M3.5 x 25mm
Standard of compliance:	BS EN 41003 (telephone and data outlets) BS 3401 where applicable (TV outlets) BS EN 60950 (USB charger)

Technical: wiring accessories

Lisse Screwless Deco

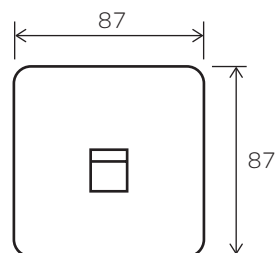
Telephone, radio and TV outlets

Part code structure



Dimensions

1 gang



Range

Telephone, radio and TV outlets	
Telephone outlets	
GGBL7051AYY(S)	1 gang LED indicator - 20AX DP
Data outlets	
GGBL7071C5AAYS	1 gang RJ45 Cat 5e
GGBL7071C6AAYS	1 gang RJ45 Cat 6
GGBL7072C5AAYS	2 gang RJ45 Cat 5e
GGBL7072C6AAYS	2 gang RJ45 Cat 6
Data communication outlets	
GGBL7061AYY(S)	Telephone - Single BT Master
GGBL7062AYY(S)	Telephone - Single BT Secondary
GGBL7010AYY(S)	TV/FM - Single direct connection
TV outlets	
GGBL7030AAYS	Satellite socket F Type - 1 gang
GGBL7020AAYS	TV/FM - Diplex
USB charger	
GGBL70042AAYS	1 gang 2 module

Steel mounting boxes	
SB251	1 gang 25mm deep
SB351	1 gang 35mm deep

Configuration, packaging type and stock availability

Finishes	Inserts	Packaging option	Stock availability
Stainless Steel (SS)	White	Standard box	MTS
	Black	Shelf ready box & display packaged	MTS
Polished Chrome (PC)	White	Standard box	MTS
	Black	Standard box	MTS
Satin Brass (SB)	White	Standard box	MTO
	Black	Standard box	MTS
Mocha Bronze (MB)	White	Standard box	MTS
	Black	Shelf ready box & display packaged	MTS
Painted White (PW)	White	Standard box	MTO
	Black	Standard box	MTO
Polished Brass (PB)	White	Standard box	MTO
	Black	Standard box	MTO
Light Copper (LC)	White	Standard box	MTO
	Black	Standard box	MTO

MTO = made to order
 MTS = made to stock

Technical: wiring accessories

Lisse Screwless Deco

Telephone, radio and TV outlets

Telephone socket outlets

It is legal for a contractor to install a secondary telephone socket with associated wiring into house-holds with single exchange lines. The contractor may install a secondary socket and wire up to the master socket and wiring to the exchange. This does not include wiring the actual master socket or to the exchange itself. This final connection must be made by an approved installer.

For commercial and industrial installations a PBX (or PABX) internal exchange or 'intelligent' telephones are often fitted. In this case, the contractor may install all of the equipment except for the PBX unit installation. Again this must be carried out by a BSI approved installer and the interface between the PBX/PABX internal system and the incoming external lines must be connected by British Telecom.

Schneider Electric telephone sockets are suitable for use in accordance with BS 7671, formerly the 16th Edition of the IEE Wiring regulations and should be wired in accordance with the diagrams shown.

Example of typical connection

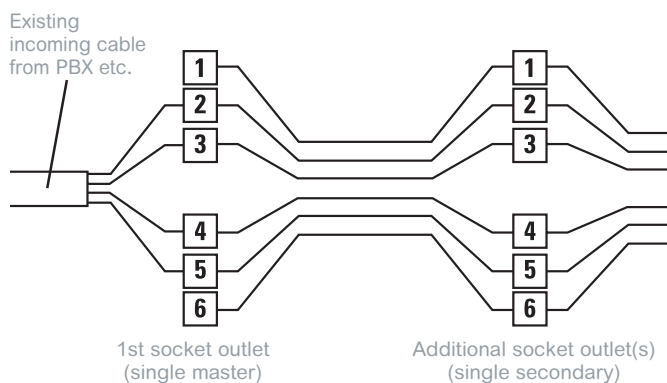
1 Connection to 2 & 5

2 Earth recall (when used) connect to terminal 4

3 Connection to terminal 3 is not usually required

NB (a) Standard 4 wire cable is shown below as incoming cable. If terminals 1 and 6 (normally unused) are required, 6 wire cable may be used.

(b) All socket outlet connections are parallel – any number of socket outlets can be connected, but it is recommended that only a maximum of 5 telephones be used at any one time on one line.



Co-axial and satellite sockets

Non-isolated

Non-isolated products are intended for direct connection to a single or two separate TV/FM aerial downloads. These units are not designed for use in multi outlet systems.

Single TV/FM outlet for connection to a single TV or FM coaxial aerial lead.

Twin outlet for connection to each of two separate TV/FM, coaxial aerial leads.

Diplex and triplex

Performance

Diplex

TV/FM diplex units for connection to a single coaxial aerial lead with combined TV and FM signals.

The connector standard IEC 169-2 plug for TV and IEC 169-2 socket for Radio.

Triplex

TV/FM/SAT triplex unit for connection to a single coaxial aerial lead with combined TV, FM and satellite signals.

TV: 470-860MHz

Radio: (FM) 87.5 – 108 MHz and (DAB) 217.5 – 230 MHz.

Satellite: DC – 200kHz and 950-2300MHz.

The connector standard is 'f' for satellite, IEC 169-2 plug for TV and IEC 169-2 socket for Radio.