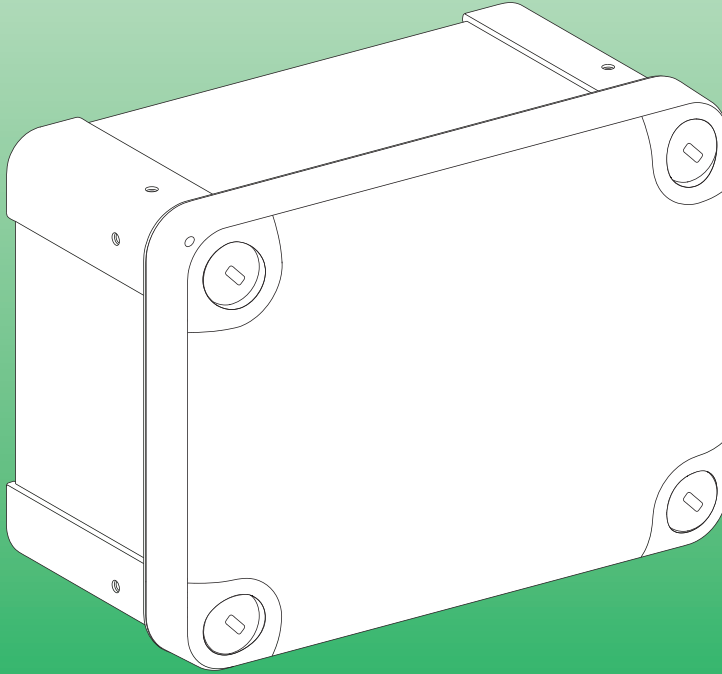
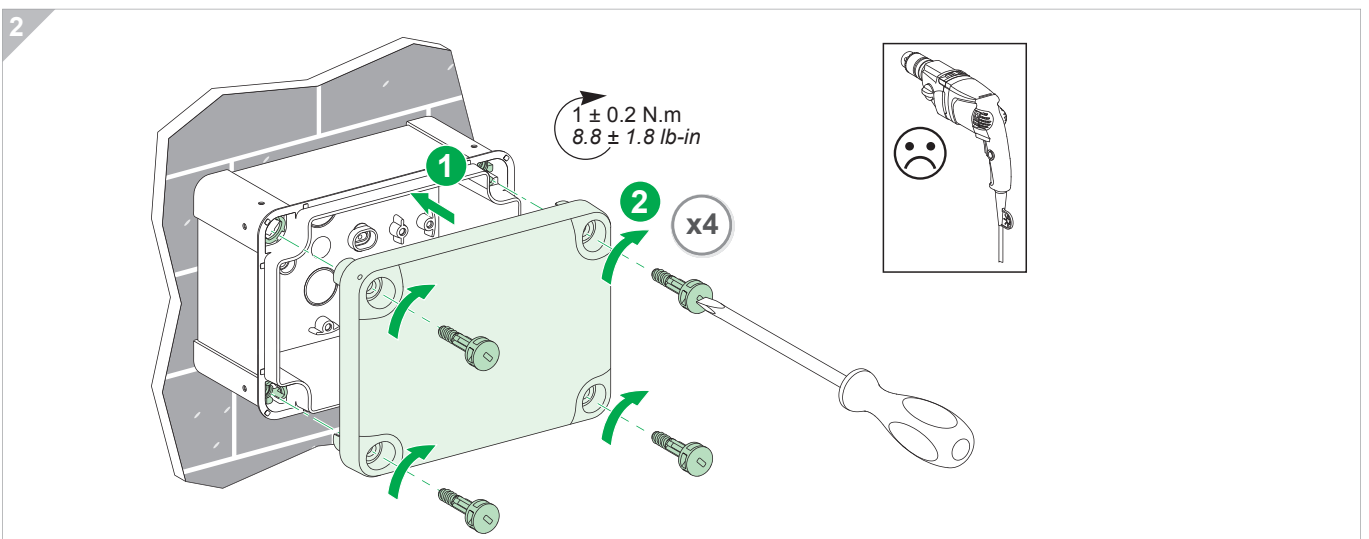
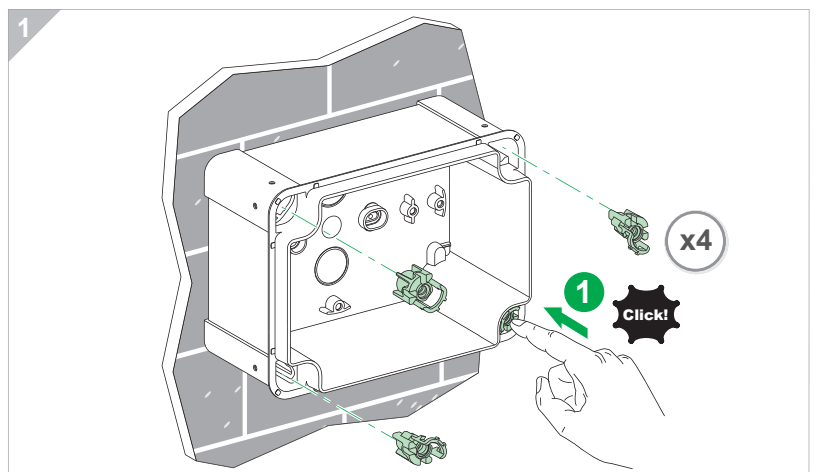
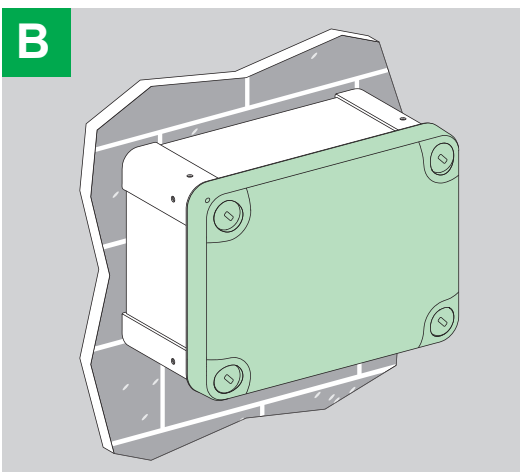
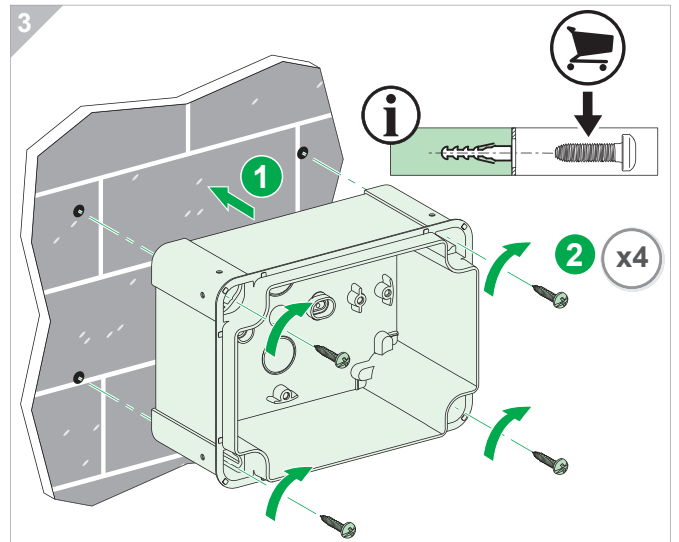
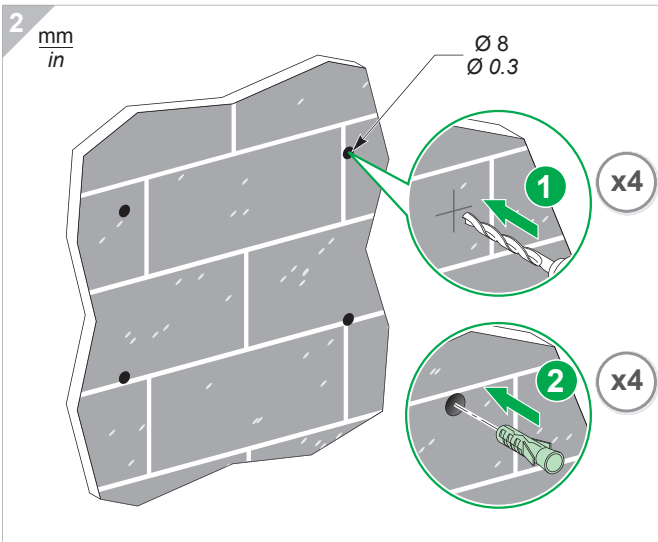
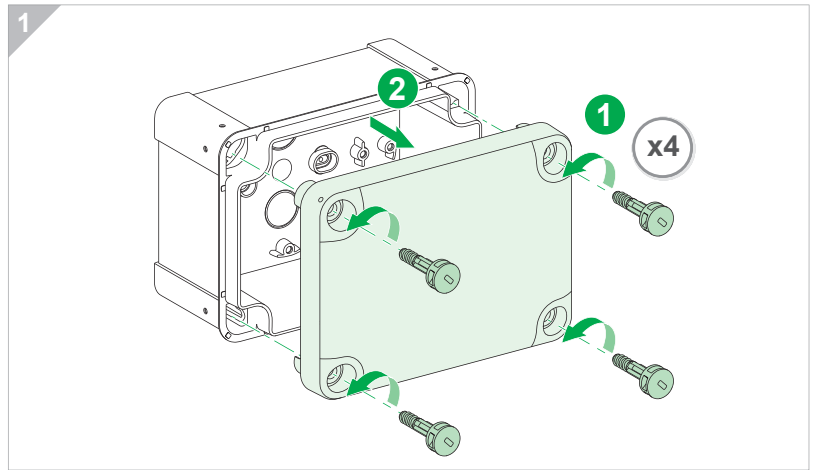
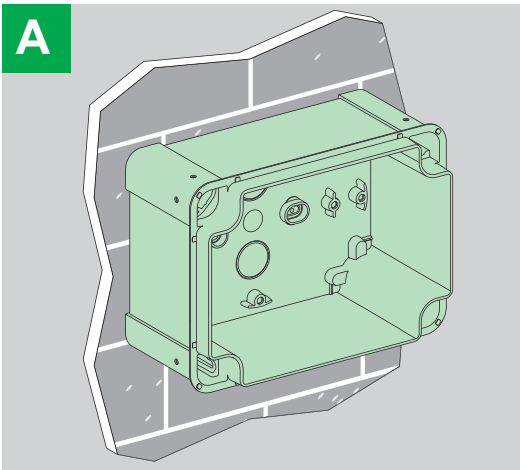


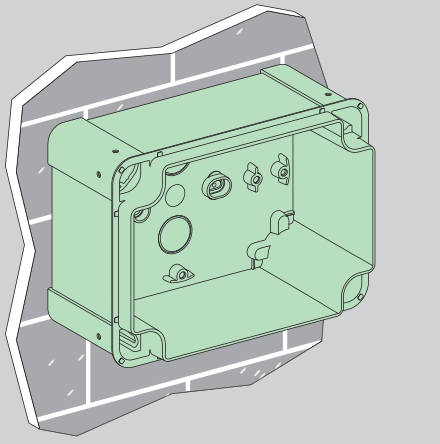
# THALASSA



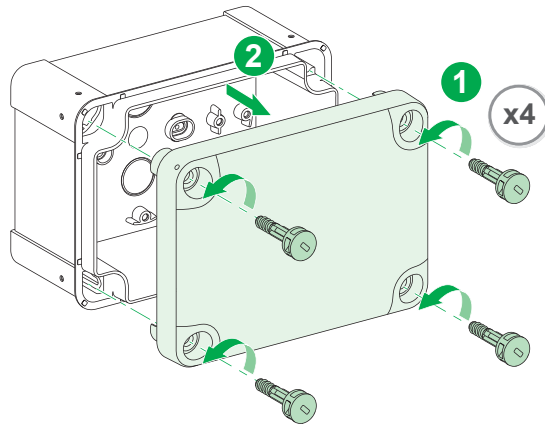
NSYTBS●●●●●●  
NSYTBP●●●●●●



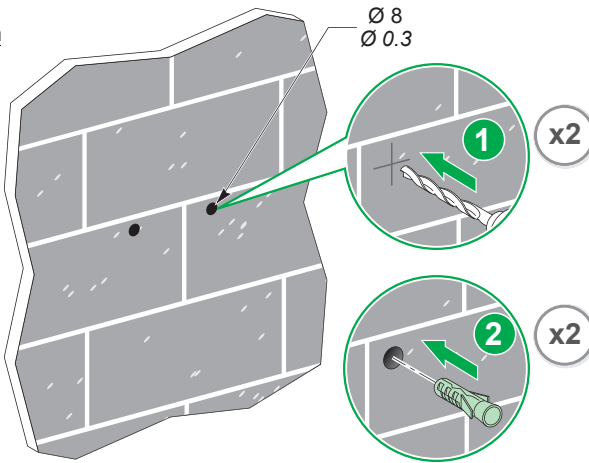
A'



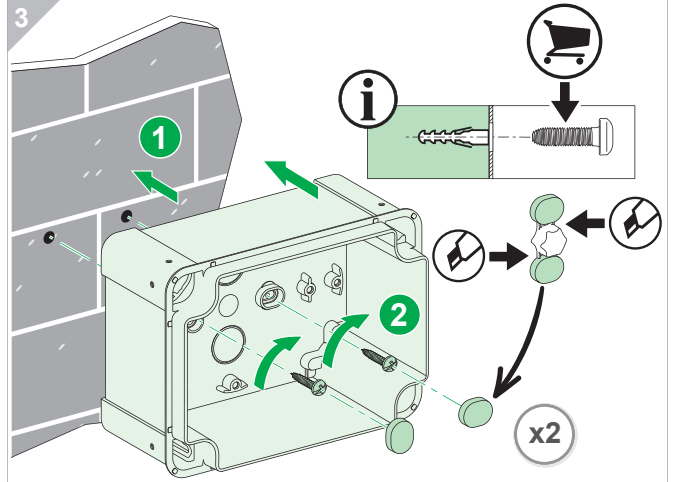
1



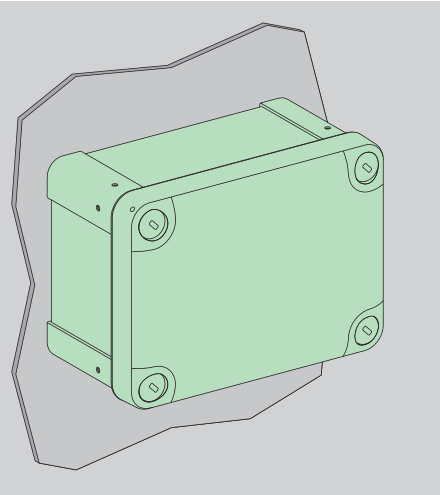
2  
mm  
in



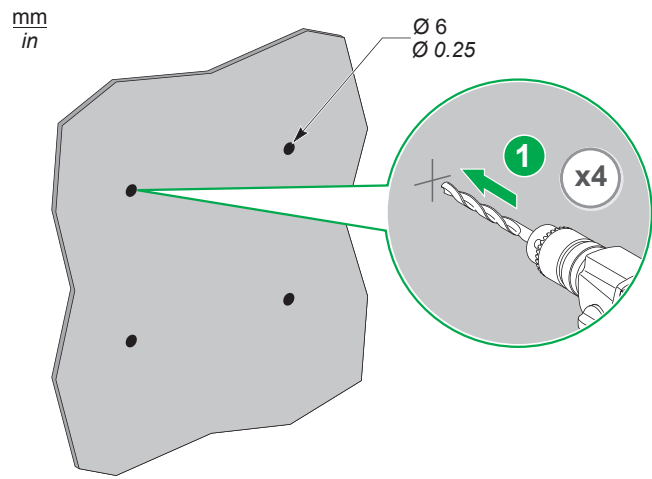
3



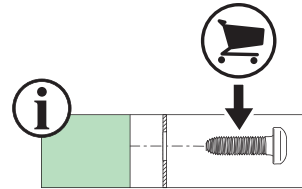
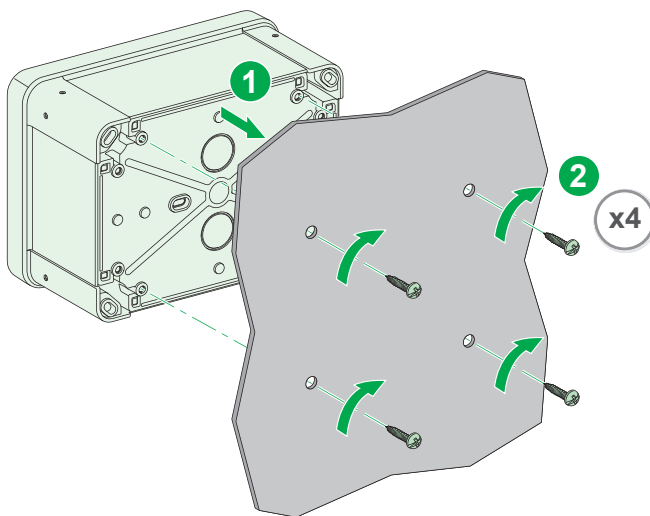
A''



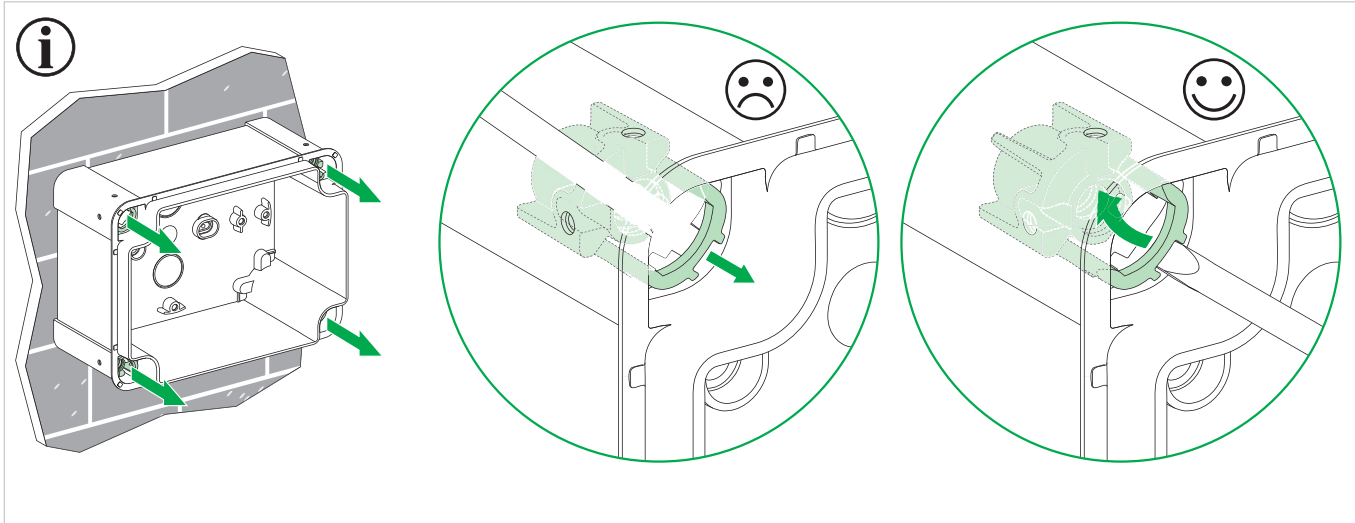
1

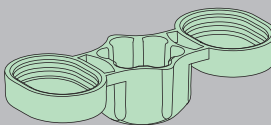
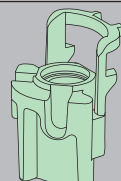









2



mm Ø 4  
in Ø 0.16



				
<b>NSYTBS.....</b>  11116-111113H	1	4	0	
<b>NSYTBS.....</b>  1397-16128-19128-191210H-1397T-16128T-19128T-191210HT				
<b>NSYTBS.....</b>  19168-191610H-24198-241910-241910H-241912H-29248-292412-292412H-292416H-342912-342916H-19168T-191610HT-24198T-241910T-241910HT-241912HT-29248T-292412T-292412HT-292416HT-342912T-342916HT	2			
<b>NSYTBP.....</b>  11116	1		0	
<b>NSYTBP.....</b>  1397-16128-19128-191210H-1397T-16128T-19128T-191210HT				
<b>NSYTBP.....</b>  19168-191610H-24198-241910-241910H-241912H-29248-292412-292412H-292416H-342912-342916H-19168T-191610HT-24198T-241910T-241910HT-241912HT-29248T-292412T-292412HT-292416HT-342912T-342916HT			2	4

**Schneider Electric Industries SAS**

35, rue Joseph Monier  
CS 30323  
F - 92506 Rueil Malmaison Cedex

RCS Nanterre 954 503 439  
Capital social 896 313 776 €  
www.schneider-electric.com

© 2012 Schneider Electric - Tous droits réservés - All rights reserved.

En raison de l'évolution des normes et du matériel, les caractéristiques indiquées par le texte et les images de ce document ne nous engageant qu'après confirmation par nos services.

As standards, specifications and designs change from time to time, please ask for confirmation of the information given in this publication.

Поскольку стандарты спецификации и дизайн может меняться время от времени, пожалуйста, обращайтесь за подтверждением информации, приведенной в этой публикации.

Publication : Schneider Electric  
Réalisation : Ameg  
Impression :



Ce document a été imprimé sur du papier écologique.  
This document has been printed on ecological paper.

Этот документ был напечатан на экологически безопасной бумаге.

# Product datasheet

Specifications



## PC box IP66 IK08 RAL7035 Int.H80W80D65 Ext.H89W89D51 opaque PC cover H10

Local distributor code:  
387531687

NSYTBP885

EAN Code: 3606480165597

### Main

Range	Thalassa
Product Name	Thalassa TBP
Device Application	Multi-purpose
Category	Industrial box
Height	89 mm
Width	89 mm
Depth	54 mm
Internal Height	80 mm
Internal Width	80 mm
Internal Depth	47 mm
Enclosure Mounting	Wall mounted
Device Composition	1 body 1 cover 4 cover screw
Quantity Per Set	Set of 5
Body Type	One piece moulded
Type Of Front Cover	Low plain cover
Cover Fixing	Metal screws
Lock Type	Captive screw flat outside sealed area
Removable Parts	Cover by captive screws

### Complementary

Material	Polycarbonate
Colour	Grey (RAL 7035)
Standards	UL 508 A IEC 62208
Product Certifications	TÜV UL
Electrical Insulation Class	Class II
Mounting Location	Outdoor (with canopy or shelter and anticondensation valve)
Net Weight	0.108 kg

### Environment

<b>Ip Degree Of Protection</b>	IP66 conforming to NEMA 4.4X
<b>Ik Degree Of Protection</b>	IK08 conforming to IEC 62262
<b>Fire Resistance</b>	960 °C
<b>Ambient Air Temperature For Storage</b>	-15...60 °C
<b>Operating Temperature</b>	-25...80 °C

## Packing Units

<b>Unit Type Of Package 1</b>	PCE
<b>Number Of Units In Package 1</b>	1
<b>Package 1 Height</b>	5.1 cm
<b>Package 1 Width</b>	8.9 cm
<b>Package 1 Length</b>	8.9 cm
<b>Package 1 Weight</b>	108.0 g
<b>Unit Type Of Package 2</b>	CAR
<b>Number Of Units In Package 2</b>	160
<b>Package 2 Height</b>	41.0 cm
<b>Package 2 Width</b>	60.0 cm
<b>Package 2 Length</b>	160.0 cm
<b>Package 2 Weight</b>	18.66 kg
<b>Unit Type Of Package 3</b>	P12
<b>Number Of Units In Package 3</b>	1920
<b>Package 3 Height</b>	120 cm
<b>Package 3 Width</b>	80 cm
<b>Package 3 Length</b>	136 cm
<b>Package 3 Weight</b>	219 kg

## Contractual warranty

<b>Warranty</b>	18 months
-----------------	-----------

## Sustainability

**Green Premium™ label** is Schneider Electric's commitment to delivering products with best-in-class environmental performance. Green Premium promises compliance with the latest regulations, transparency on environmental impacts, as well as circular and low-CO<sub>2</sub> products.

**Guide to assessing product sustainability** is a white paper that clarifies global eco-label standards and how to interpret environmental declarations.

[Learn more about Green Premium >](#)

[Guide to assess a product's sustainability >](#)



Transparency RoHS/REACH

## Well-being performance

✓ Reach Free Of Svhc

---

✓ Toxic Heavy Metal Free

---

✓ Mercury Free

---

✓ Rohs Exemption Information Yes

---

## Certifications & Standards

**Reach Regulation**

[REACH Declaration](#)

---

**Eu Rohs Directive**

Pro-active compliance (Product out of EU RoHS legal scope)

[EU RoHS Declaration](#)

---

**China Rohs Regulation**

[China RoHS declaration](#)

Pro-active China RoHS declaration (out of China RoHS legal scope)

---

**Environmental Disclosure**

[Product Environmental Profile](#)

---

**Circularity Profile**

[End of Life Information](#)

---