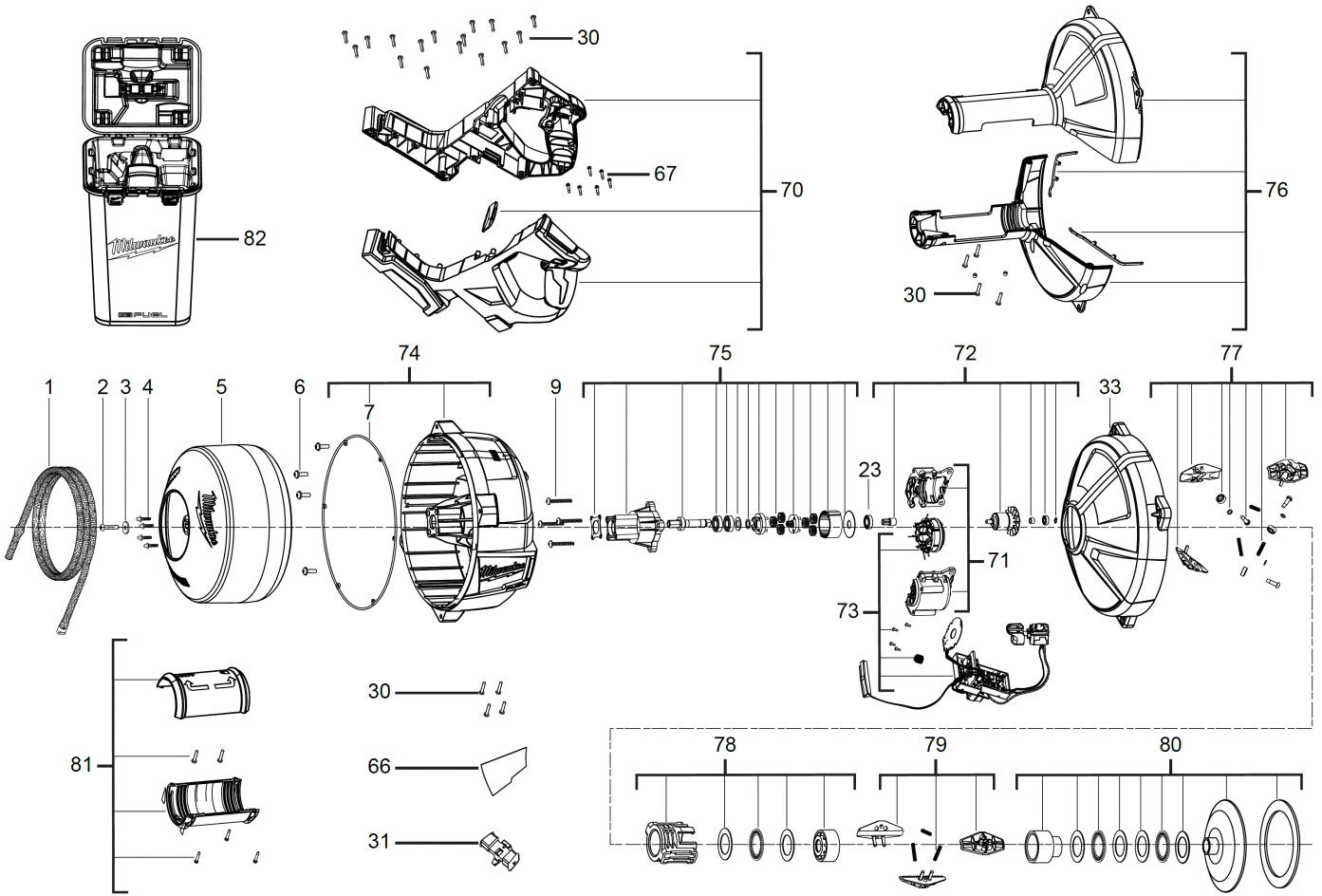


# M18FDCPF8-0C BTY. DRAIN CLEANER XXX

4933459683 - M18FDCPF8-0C - 4000460685





Position	Quantity	Description	Part number	EAN
0001	1	8MM X 10,5M SPIRAL BULB AUGER M18PF -1PC	48532673	45242482764
0002	1	SCREW	4931453940	4002395280483
0003	1	WASHER	4931453941	4002395280490
0004	4	SCREW	4931465351	4058546234515
0005	1	MOULDED PART	4931465352	4058546234522
0006	4	SCREW	4931453939	4002395280476
0007	1	SEAL RING	4931465353	4058546234539
0009	4	SCREW	4931436564	4002395257614
0023	1	BALL BEARING	4931465355	4058546234553
0030	24	SCREW	06827261	4058546068967
0031	1	INTERLOCK ELEMENT	4931465357	4058546234577
0033	1	RUBBER CAP	4931465358	4058546234584
0066	1	RATING PLATE	4931465431	4058546235314
0067	6	SCREW	660570005	4002395827329
0070	1	HOUSING	4931465361	4058546234614
0071	1	MOTOR HOUSING	4931465362	4058546234621
0072	1	ARMATURE ASSEMBLY	4931465363	4058546234638
0073	1	SWITCH ASSEMBLY	4931465364	4058546234645
0074	1	HOUSING	4931465365	4058546234652
0075	1	GEAR BOX KIT	4931465366	4058546234669
0076	1	COVER ASSY	4931465367	4058546234676
0077	1	GUIDE SLEEVE	4931465368	4058546234683
0078	1	LOCKING PIECE	4931465369	4058546234690
0079	1	LOCK COMPLETE	4931465370	4058546234706
0080	1	GUIDE	4931465371	4058546234713
0081	1	INTERLOCK SLEAVE	4931465372	4058546234720
0082	1	TANK	4931465373	4058546234737