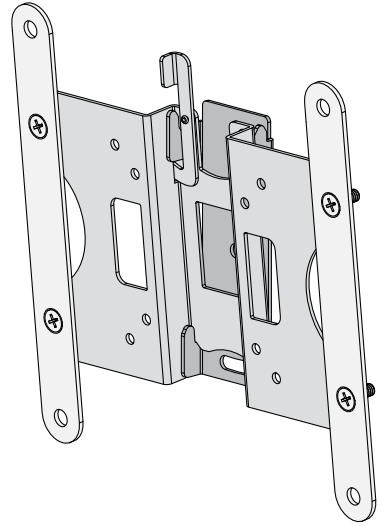


SECURA



QST25 INSTRUCTION MANUAL

We'll Make It Stress-Free

If you have any questions along the way, just give us a call.

1-800-359-5520. (UK: 0800 056 2853) We're ready to help!



Before getting started, let's make sure this mount is perfect for you!

1 Does your TV (including accessories) weigh **MORE** than 35 lbs. (15.8 kg)?



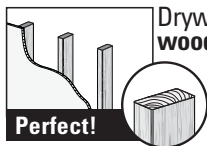
No? Perfect – you may continue.

Yes? This mount is NOT compatible.

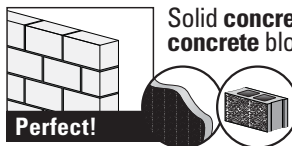
Visit secura-av.com or call 1-800-359-5520 (UK: 0800 056 2853) to find a compatible mount.

CAUTION: DO NOT exceed the maximum weight indicated. This mounting system is intended for use only with the maximum weights indicated. Use with products heavier than the maximum weights indicated may result in collapse of the mount and its accessories, causing possible injury.

2 What is your wall made of?



Drywall with wood studs?



Solid concrete or concrete block?



Unsure?

Call Customer Service:
1-800-359-5520
(UK: 0800 056 2853)

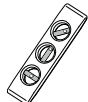
3 Do you have all the tools needed?



Tape Measure



Pencil



Level



Screw driver



Electric Drill



7/16 in. (12 mm) Socket Wrench



3/8 in. (10 mm) Wrench

Wood Stud Install



Stud Finder



Awl



1/8 in. (3 mm) Wood Drill Bit

Concrete Install



3/8 in. (10 mm) Masonry Drill Bit



Hammer

4 Ready to begin?

Please read through these instructions completely to be sure you're comfortable with this easy install process. Also check your TV owner's manual to see if there are any special requirements for mounting your TV.

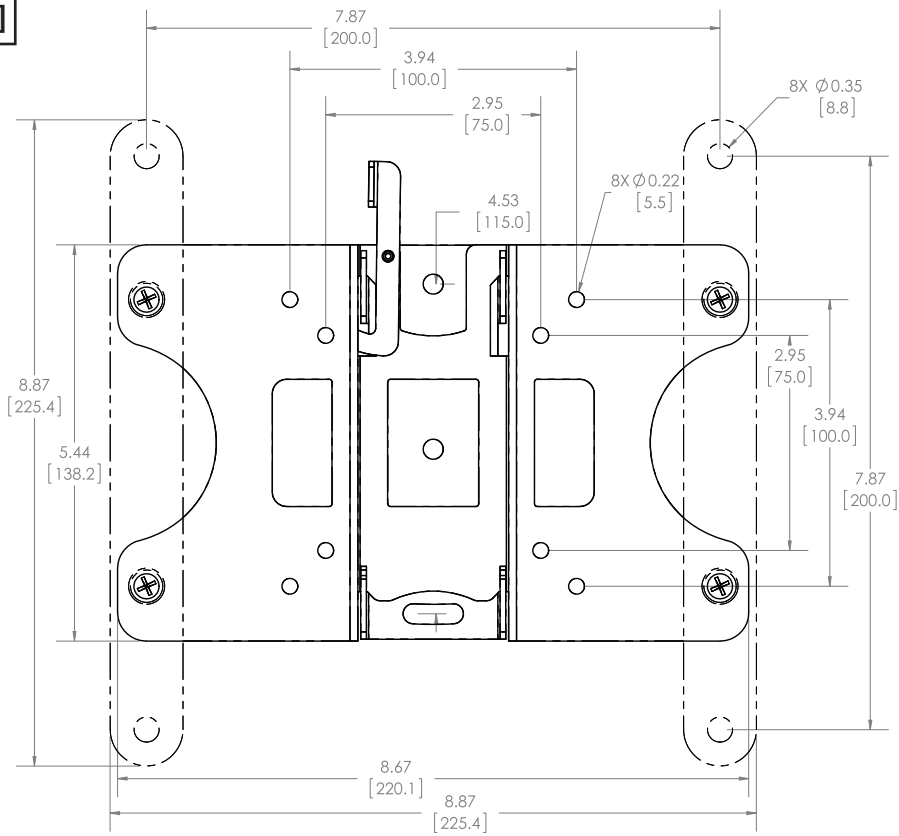
If you do not understand these instructions or have doubts about the safety of the installation, assembly or use of this product, contact Customer Service at 1-800-359-5520 (UK: 0800 056 2853).

CAUTION: Avoid potential personal injury or property damage!

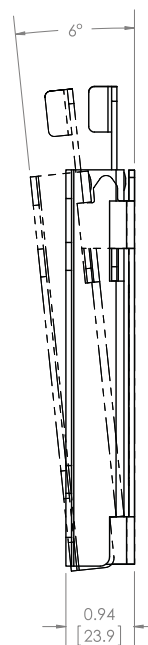
- This product is designed for use in wood stud, solid concrete, and concrete block walls - DO NOT install into drywall alone
- The wall must be capable of supporting five times the weight of the TV and mount combined
- Do not use this product for any purpose not explicitly specified by manufacturer
- Manufacturer is not responsible for damage or injury caused by incorrect assembly or use

Dimensions

in.
[mm]



TILT

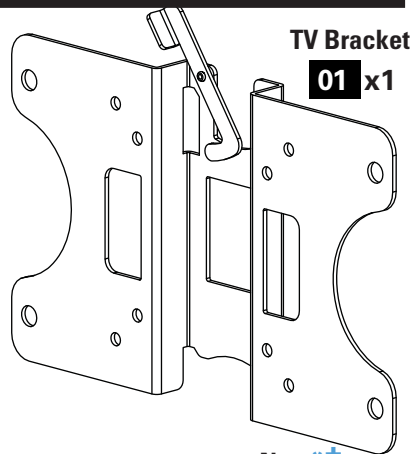


Supplied Parts and Hardware

⚠ WARNING: This product contains small items that could be a choking hazard if swallowed. Before starting assembly, verify all parts are included and undamaged. If any parts are missing or damaged, do not return the damaged item to your dealer; contact Customer Service. Never use damaged parts!

NOTE: Not all hardware included will be used.

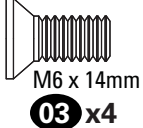
STEP 1 Parts and Hardware



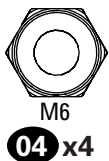
TV Bracket
01 x1

TV Bracket Extenders*
02 x2

Screws*
(TV Bracket Extender)

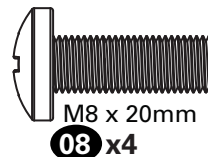
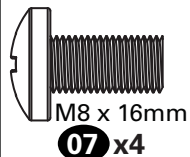
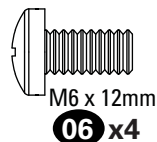
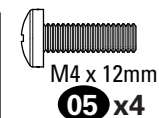


Nuts*†
(TV Bracket Extender)

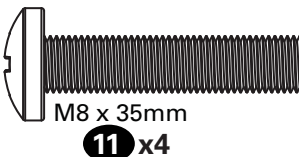
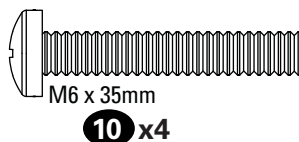


* Only needed for TVs with 20.0 x 20.0 cm (7 7/8 x 7 7/8 in.) hole patterns

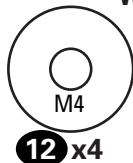
† Nylon locking bracket nuts are poly-locks and will need to be forcibly tightened.



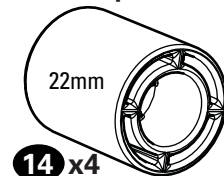
TV Screws



Washers

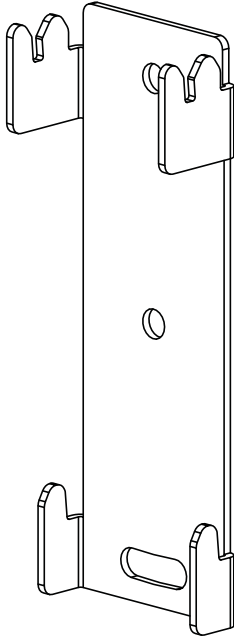


Spacers



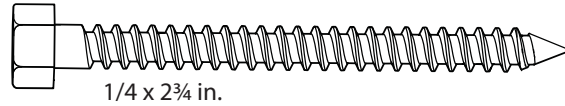
STEP 2 Parts and Hardware

Wall Plate



15 x1

Lag Bolts



1/4 x 2 3/4 in.

16 x2

For concrete installations ONLY

⚠ CAUTION: Do not use in drywall or wood
Concrete Anchors



Fischer UX 10 x 60R

17 x2

STEP 1 Attach TV Bracket to TV

1.1 Measure Your TV Hole Pattern

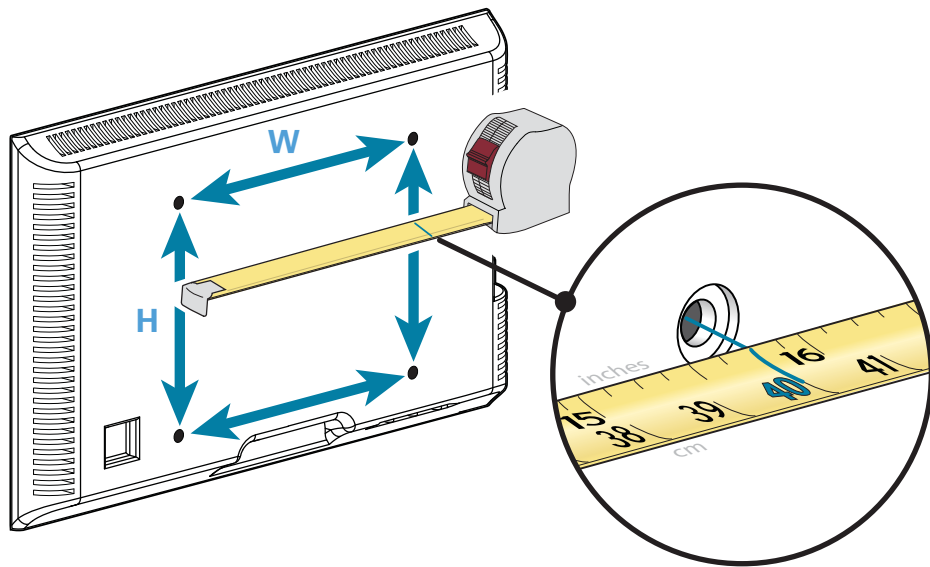
Measure the width and height of your TV hole pattern in cm (see conversion chart below).

Record your measurements:

Width _____ cm x Height _____ cm

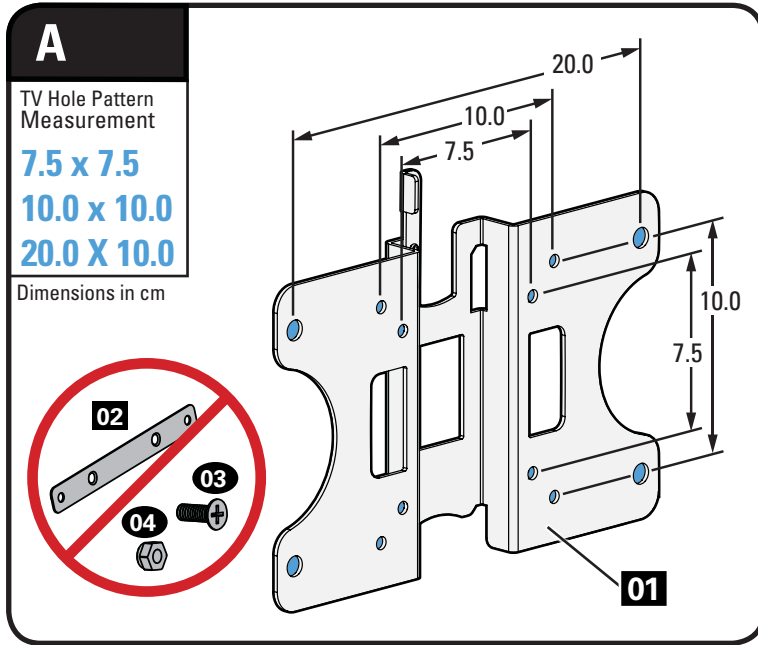
75 mm = 7.5 cm \approx 3 in.
100 mm = 10 cm \approx 4 in.
200 mm = 20 cm \approx 7 $\frac{7}{8}$ in.

inch dimensions are approximate

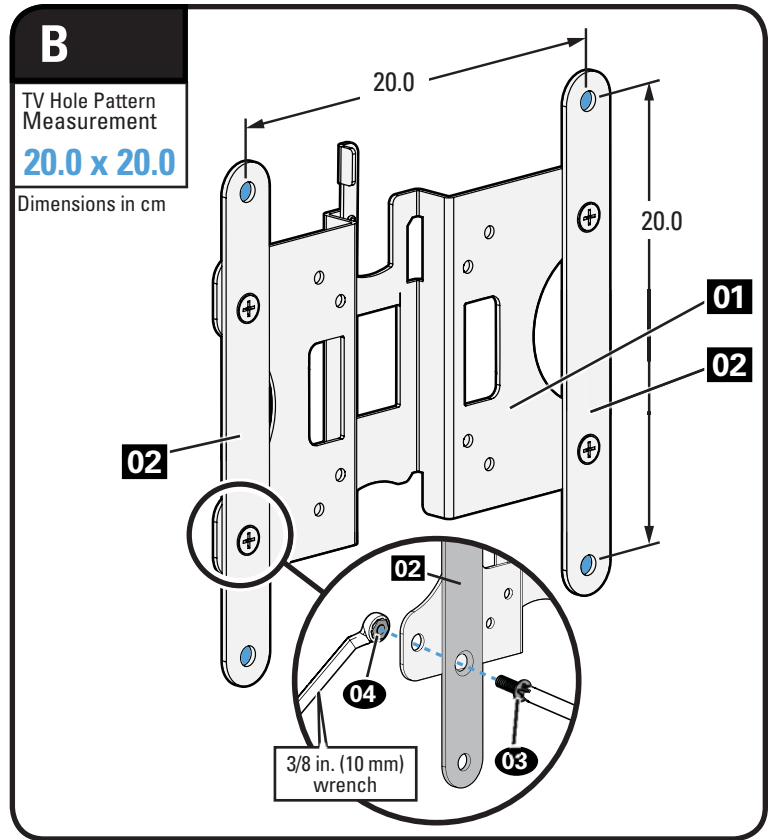


1.2 Assemble Your TV Bracket

Determine which TV bracket configuration to use, A or B, based on your TV hole pattern measurements (**W x H**) from STEP 1.1.



These smaller hole patterns only use TV bracket **01**. Do not use the two TV bracket extenders **02** and four screws **03** and four nuts **04**.

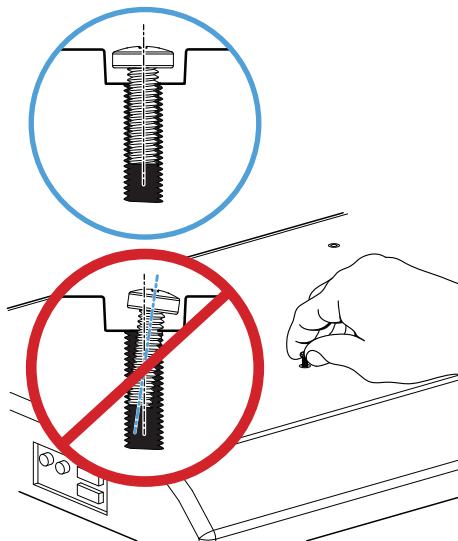


Assemble TV bracket extenders **02** onto TV bracket **01** as illustrated. Secure using four screws **03** and four nuts **04** in the corner holes shown.

NOTE: Nuts **04** are poly-locks and need to be forcibly tightened.

1.3 Select TV Screw Diameter

Hand thread screws into the threaded inserts on the back of your TV to determine which screw diameter (M4, M6 or M8) to use.

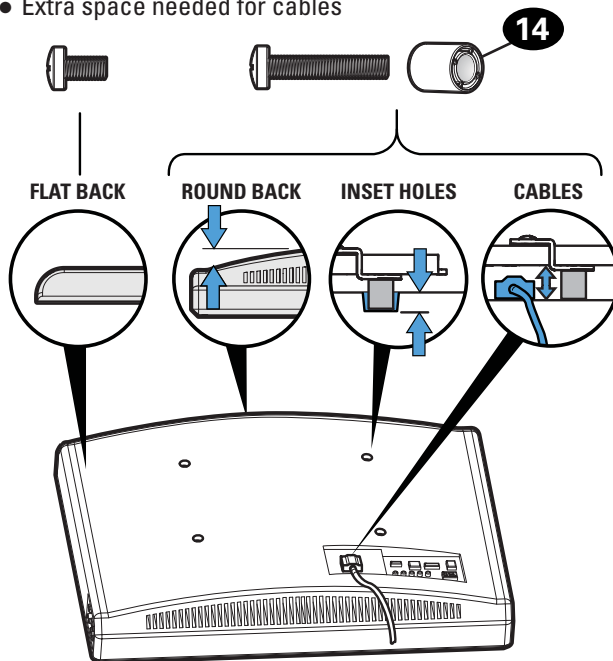


1.4 Select TV Screw Length

If your TV has a flat back AND you want your TV closer to the wall, use the shorter TV screws and no spacers **14**.

Spacers **14** and longer TV screws are supplied to accommodate:

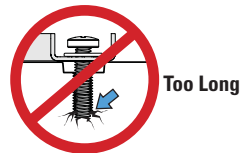
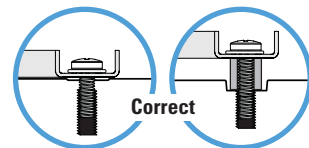
- Round/irregular back TVs
- TVs with inset mounting holes
- Extra space needed for cables



Standard configurations are shown. For special applications, or if you are uncertain about your hardware selection, contact Customer Service at 1-800-359-5520.

CAUTION:

Verify adequate thread engagement with your screw/washer/spacer combination AND TV bracket (STEP 1-5).
- Too short will not hold the TV.
- Too long will damage the TV.



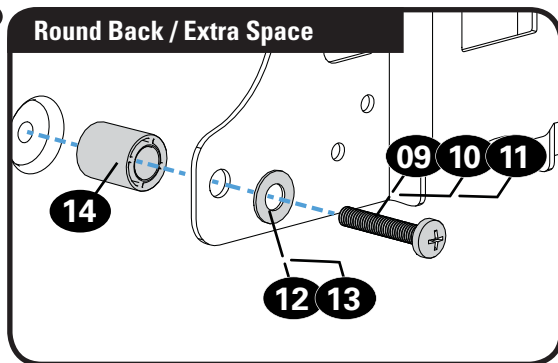
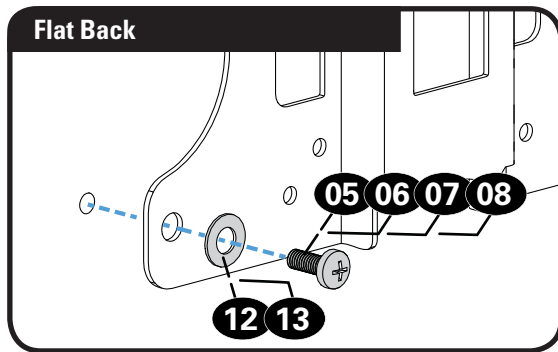
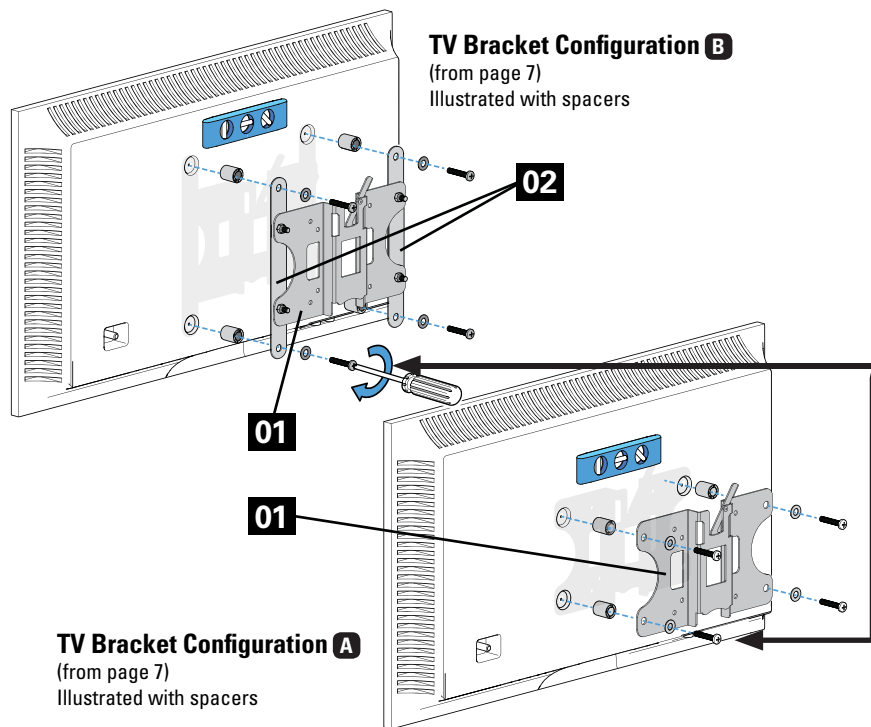
1.5 Attach TV Bracket

Position your TV bracket configuration (A or B) over your TV hole pattern - making sure the bracket is centered over the TV hole pattern and level.

Install using the TV screw/washer/spacer configuration you selected for your TV.

⚠ CAUTION: Avoid potential personal injuries and property damage! DO NOT use power tools for this step. Tighten the screws only enough to secure the TV bracket to the TV. DO NOT overtighten the screws.

! IMPORTANT: Ensure TV bracket is securely fastened before moving on to the next step.



STEP 2A Attach Wall Plate

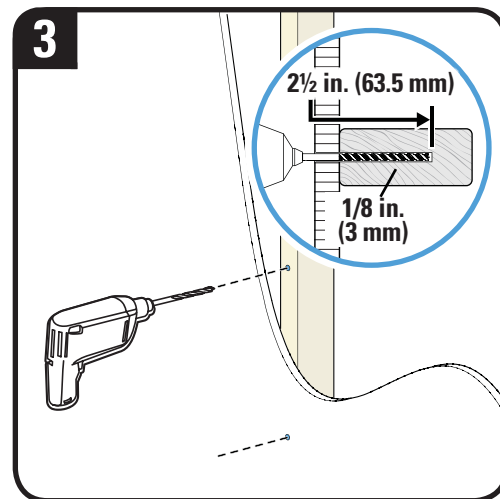
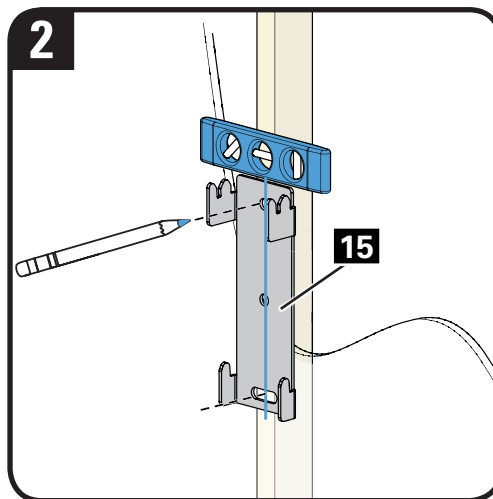
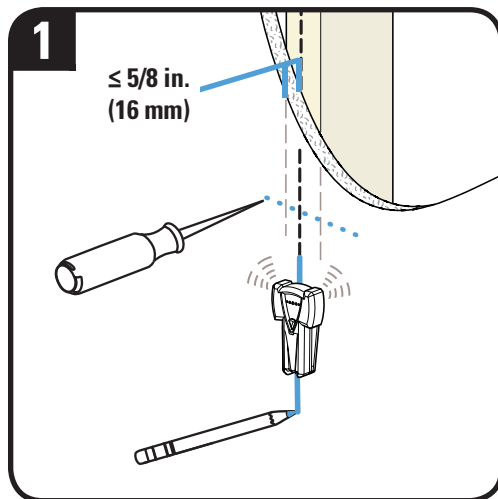
Wood Stud Option

⚠ CAUTION: Avoid potential personal injury or property damage!

- Drywall covering the wall, must not exceed 5/8 in. (16 mm)
- Minimum wood stud size: common 2 x 4 in. (51 x 102 mm) nominal 1½ x 3½ in. (38 x 89 mm)
- Stud center must be verified

1. Locate your stud. Verify and mark the center of the stud by finding the stud edges using an awl, a thin nail, or an edge to edge stud finder.
2. Position the wall plate **15** at your desired height and line up the holes with your stud center line. Mark the hole locations.
3. Drill pilot holes using a 1/8 in. (3 mm) diameter drill bit.

! IMPORTANT: Pilot holes must be drilled to a depth of 2½ in. (63.5 mm). Be sure to drill into the center of the stud.

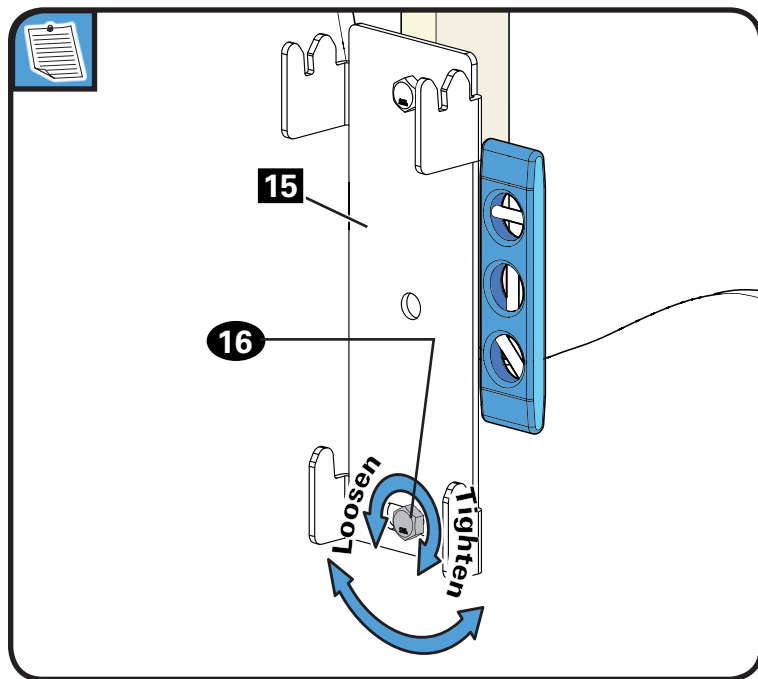
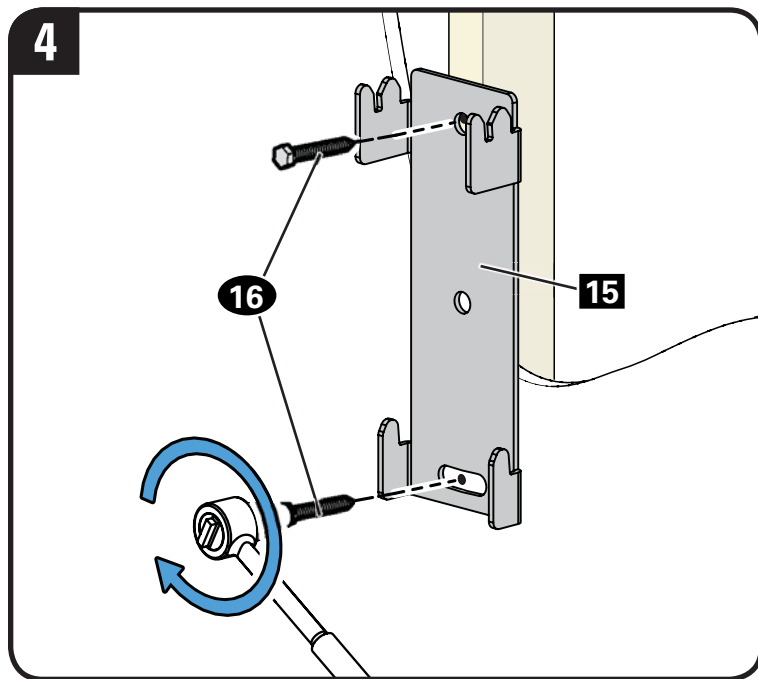


4. Install wall plate **15** using two lag bolts **16**. Tighten the lag bolts only until they are pulled firmly against the wall plate.

⚠ CAUTION: Improper use could reduce the holding power of the lag bolt **16**. **DO NOT over-tighten the lag bolts 16.**

📄 NOTE: If needed, you can make small level adjustments to the wall plate **15** by loosening the bottom lag bolt **16** and shifting the wall plate **15** until level. Tighten the bottom lag bolt **16** when adjustments are complete.

Go to STEP 3 on PAGE 14.



STEP 2B Attach Wall Plate

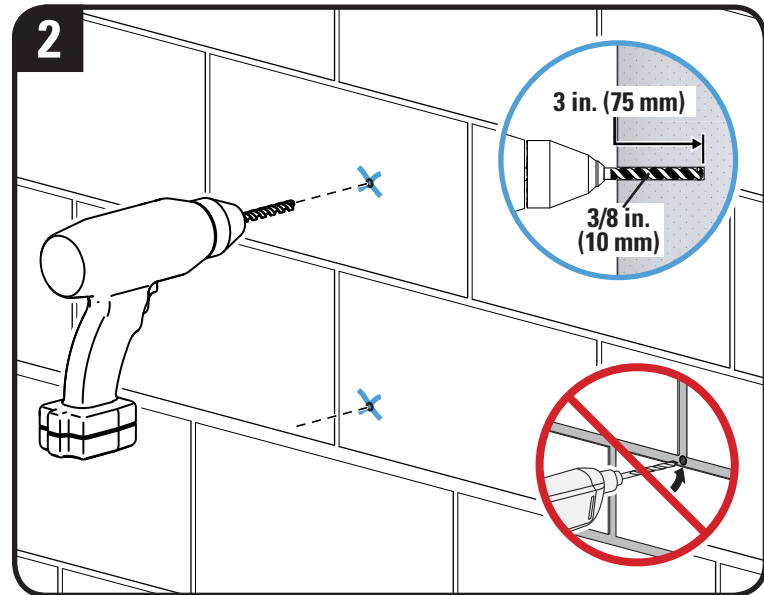
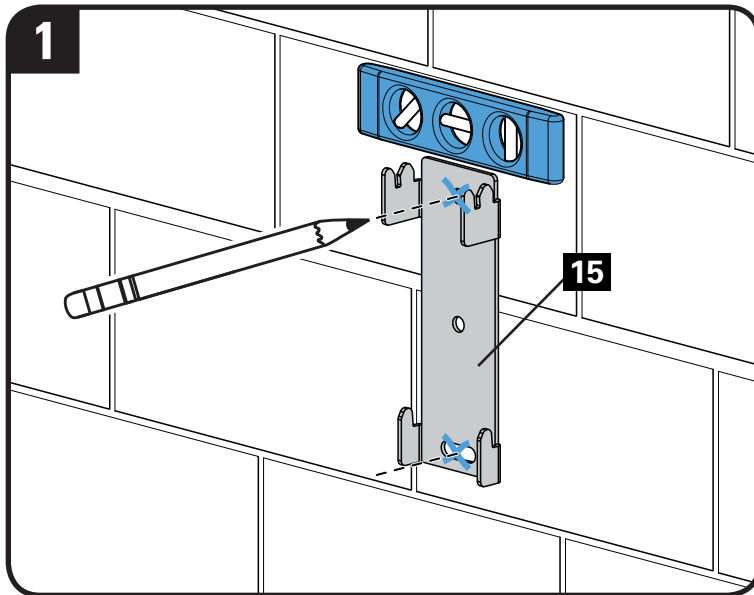
Solid Concrete or Concrete Block Option

⚠ CAUTION: Avoid potential personal injury or property damage!

- Mount the wall plate assembly **15** directly onto the concrete surface.
- Minimum **solid concrete** thickness: 8 in. (203 mm)
- Minimum **concrete block** size: 8 x 8 x 16 in. (203 x 203 x 406 mm)

1. Position the wall plate **15** on the wall at your desired height. Level the wall plate template and mark the hole locations.
2. Drill two pilot holes using a 3/8 in. (10 mm) diameter masonry drill bit.

❗ IMPORTANT: Pilot holes must be drilled to a depth of 3 in. (75 mm). Never drill into the mortar between blocks.



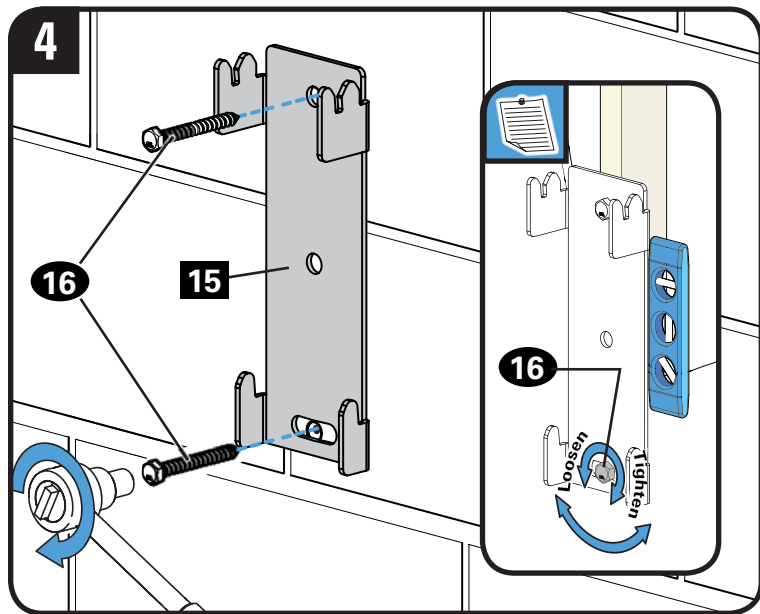
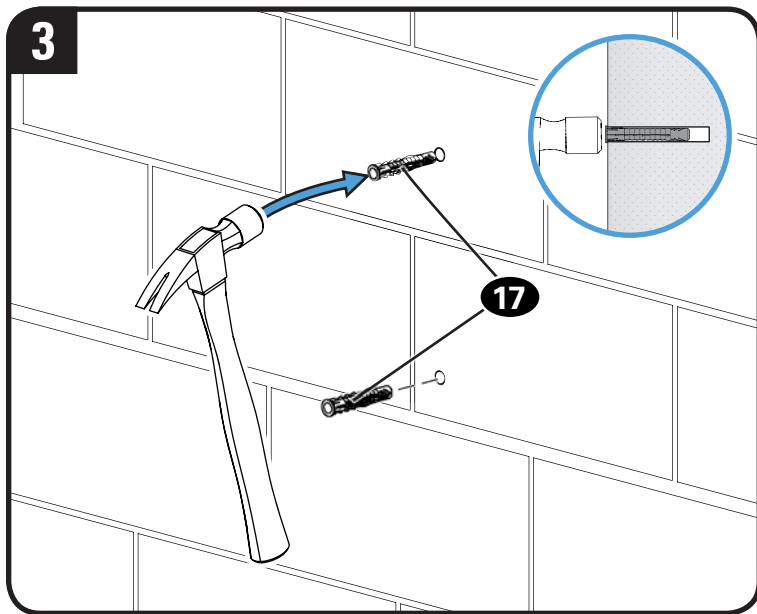
3. Insert two anchors **17**.

⚠ CAUTION: Be sure the anchors are seated flush with the concrete surface.

4. Install wall plate **15** using two lag bolts **16**. Tighten the lag bolts only until they are pulled firmly against the wall plate.

⚠ CAUTION: Improper use could reduce the holding power of the lag bolt **16**. DO NOT over-tighten the lag bolts.

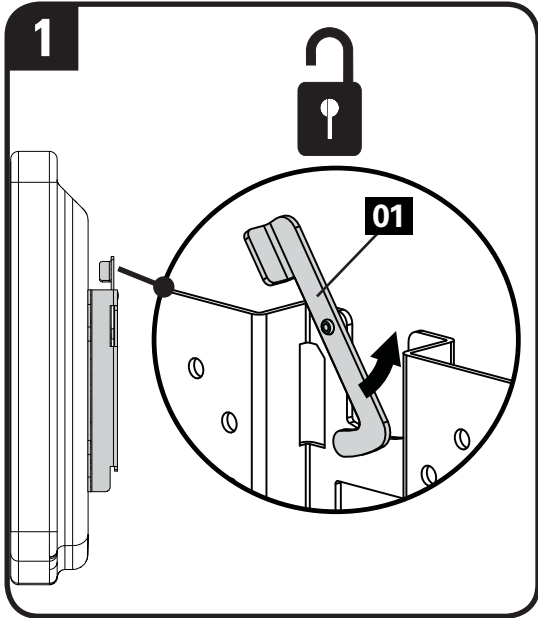
📄 NOTE: If needed, you can make small level adjustments to the wall plate **15** by loosening the bottom lag bolt **16** and shifting the wall plate **15** until level. Tighten the bottom lag bolt **16** when adjustments are complete.



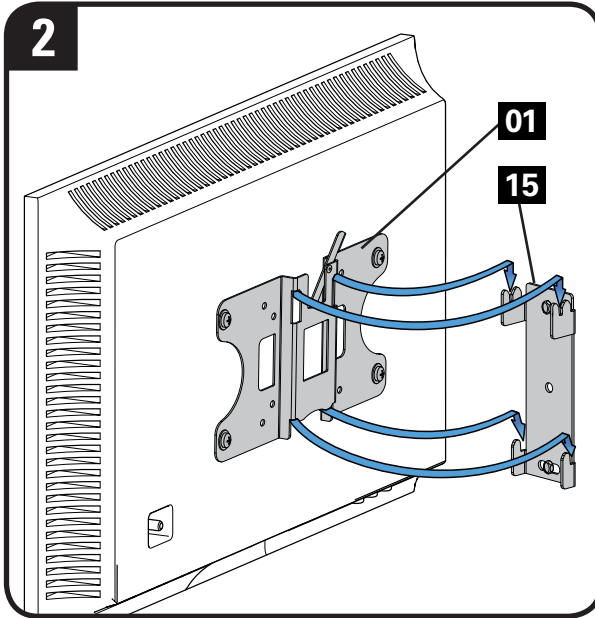
STEP 3 Hang TV onto Wall Plate



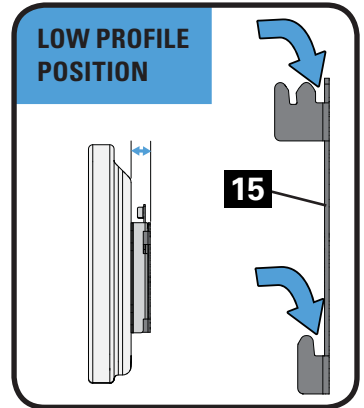
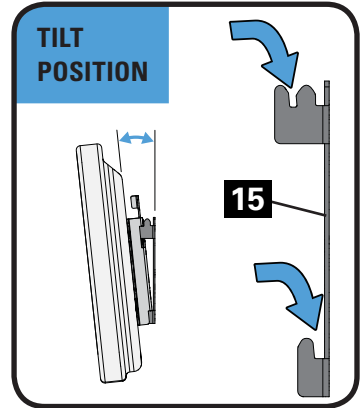
HEAVY! You may need assistance with this step.



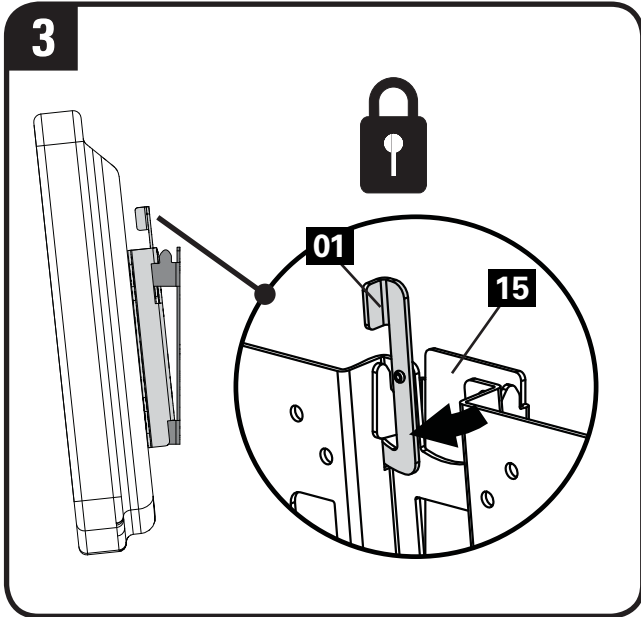
! IMPORTANT: The locking tab needs to be in the unlocked position before attaching the TV to the wall plate **15**.



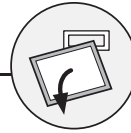
Hang your TV in either the TILT or LOW PROFILE positions as shown.



TV Adjustments

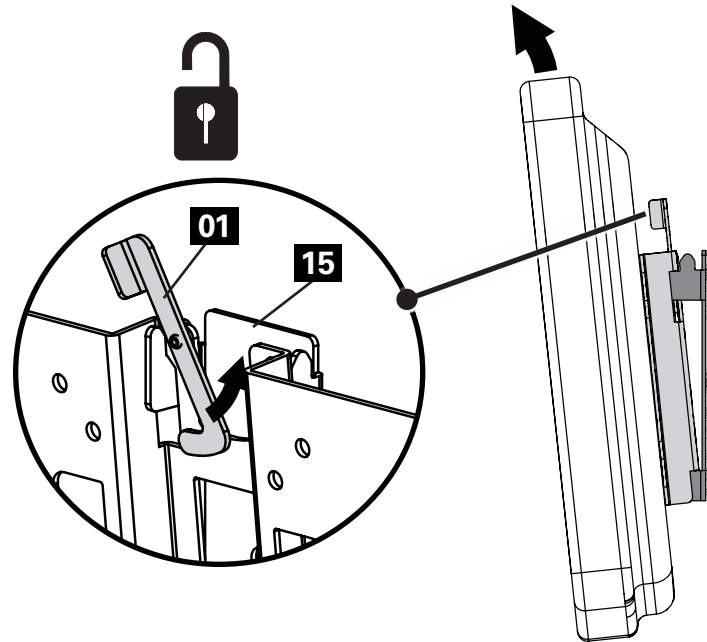


▲ CAUTION: Avoid potential personal injuries and property damage! Once the TV is on the wall plate **15**, move the locking tab to the locked position to secure the TV onto the wall plate **15**.



REMOVING THE TV:

Remove any cables from the TV.
Move the locking tab into the unlocked position and lift the TV up and out away from the wall plate **15**.



SECURA

Thank you for choosing Secura! Please take a moment to let us know how we did:



Email us: info@secura-av.com



Call us: 1-800-359-5520

UK: 0800 056 2853

Milestone AV Technologies and its affiliated corporations and subsidiaries (collectively, "Milestone"), intend to make this manual accurate and complete. However, Milestone makes no claim that the information contained herein covers all details, conditions, or variations. Nor does it provide for every possible contingency in connection with the installation or use of this product. The information contained in this document is subject to change without notice or obligation of any kind. Milestone makes no representation of warranty, expressed or implied, regarding the information contained herein. Milestone assumes no responsibility for accuracy, completeness or sufficiency of the information contained in this document.

©2016 Milestone AV Technologies. All rights reserved. Secura is a brand of Milestone.

All other brand names or marks are used for identification purposes and are trademarks of their respective owners.