







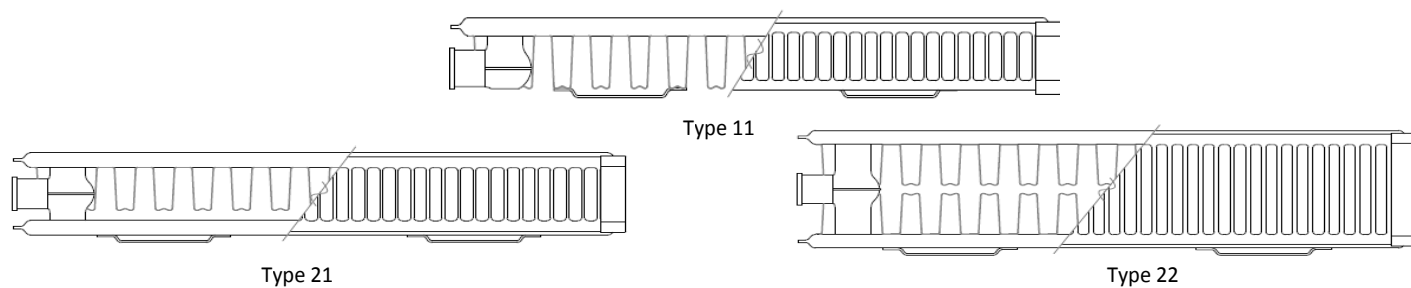
## Assembly Instructions **Panel Radiator**

### Pack Contents

Ref	Desc.	Illustration	Qty
A	Radiator	Horizontal Use	1
B	Air Vent		1
C	Blanking Plug		1

Ref	Desc.	Illustration	Qty
D	Galvanized Brackets		2 (3 on 1800mm + long)
E	Anti Vibration clips		8

### Radiator Plan Views:



### Notes:

- Please read the installation instructions thoroughly before mounting the radiator
- Please choose appropriate wall fixings for the wall surface you are mounting the radiator on
- All dimensions are in millimetres
- Packaging includes a vapour barrier and will protect product from degrading.
- Radiators are supplied with a 10 year manufacturer's warranty subject to our terms and conditions
- Radiators at end of life can be disposed as metal scrap at any recycling centre

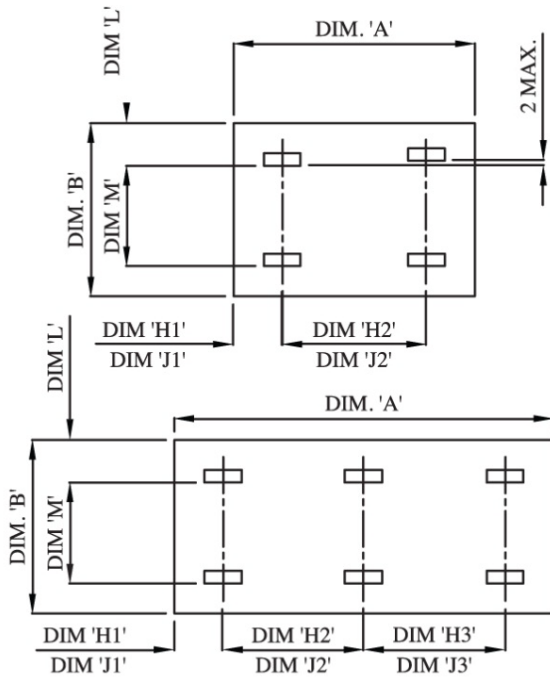
### Recommendations

- For larger radiators it is recommended that for the safe movement and mounting of your radiator, two people are used to lift and support
- Ensure the installation and commissioning of the radiator is carried out in accordance with BS EN 7593:2006
- Your radiator carries a 10 year guarantee, failure to use a corrosion inhibitor in your heating system will invalidate the manufacturers warranty

**Helpline : 01633 657260**  
**Fax : 01633 657224**  
**Open 8:00 to 17:00 Monday to Friday**

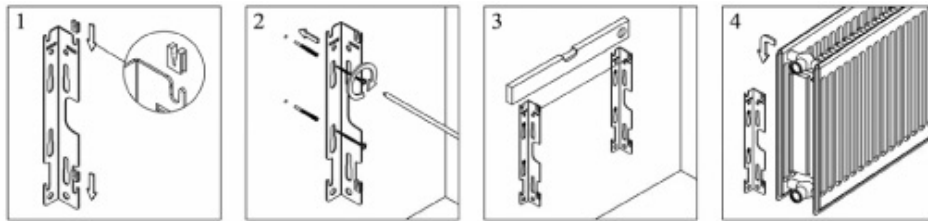
# Assembly Instructions Panel Radiator

## Lug Locations:

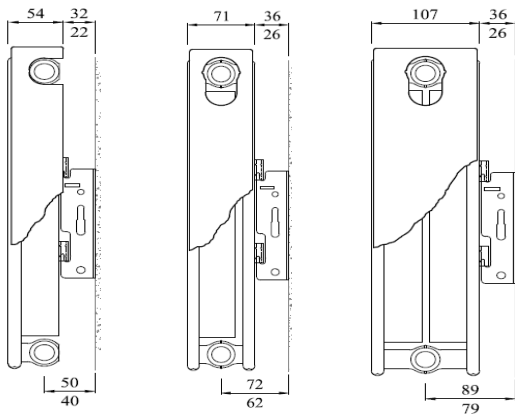


Radiator Length	'A'	'H1'	'J1'	'H2'	'J2'	'H3'	'J3'	QTY
300	295	72.5	85	150	125	-	-	4
400	395	122.5	135	150	125	-	-	4
500	495	122.5	160	250	175	-	-	4
600	595	122.5	160	350	275	-	-	4
700	695	122.5	160	450	375	-	-	4
800	795	122.5	160	550	475	-	-	4
900	895	122.5	160	650	575	-	-	4
1000	995	122.5	160	750	675	-	-	4
1100	1095	122.5	160	850	775	-	-	4
1200	1195	122.5	160	950	875	-	-	4
1300	1295	122.5	160	1050	975	-	-	4
1400	1395	122.5	160	1150	1075	-	-	4
1500	1495	122.5	160	1250	1175	-	-	4
1600	1595	122.5	160	1350	1275	-	-	4
1800	1795	122.5	160	775	750	775	725	6
2000	1995	122.5	160	875	850	875	825	6

## Hanging instructions:



## Bracket positions:



Type 11

Type 21

Type 22

	A	B	C
300	137	100	
400	137	150	
500	237	150	
600	437	150	
700	437	150	
900	637	150	

A = Height of Radiator  
 B = Bracket Height  
 C = Bracket to top of Radiator