

Pack Contents

Ref	Desc.	Illustration	Qty
A	Radiator Horizontal Use		1
B	Air Vent		2 Only 1 required
C	Blanking Plug		2 Only 1 required
D	Anti-Vibration clip		H10 4 H20 8

Ref	Desc.	Illustration	Qty
E	Galvanized Brackets		H10 4 H20 4
F	Spacers Optional, in place of bottom bracket		H10 (55mm) 4 H20 (10.5mm) 4

Notes:

- Please retain these instructions for future reference
- Please read the installation instructions thoroughly before mounting the radiator
- Please choose appropriate wall fixings for the wall surface you are mounting the radiator on
- All dimensions are in millimetres
- Packaging includes a vapour barrier and will protect product from degrading.
- Radiators are supplied with a 5 year manufacturer's warranty subject to our terms and conditions
- Radiators at end of life can be disposed as metal scrap at any recycling centre
- Maximum working pressure 4 Bar

Recommendations

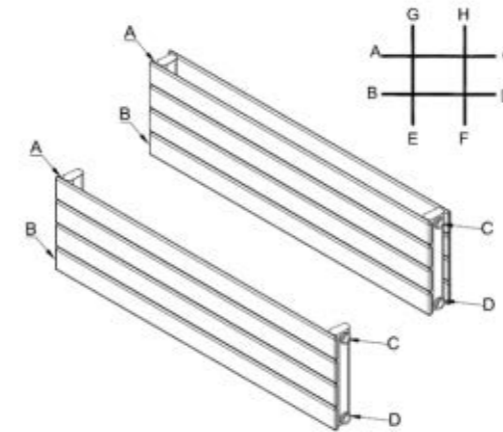
- For larger radiators it is recommended that for the safe movement and mounting of your radiator, two people are used to lift and support
- Ensure the installation and commissioning of the radiator is carried out in accordance with BS EN 7593:2006
- Your radiator carries a 5 year guarantee, failure to use a corrosion inhibitor in your heating system will invalidate the manufacturers warranty

Helpline : 01633 657260

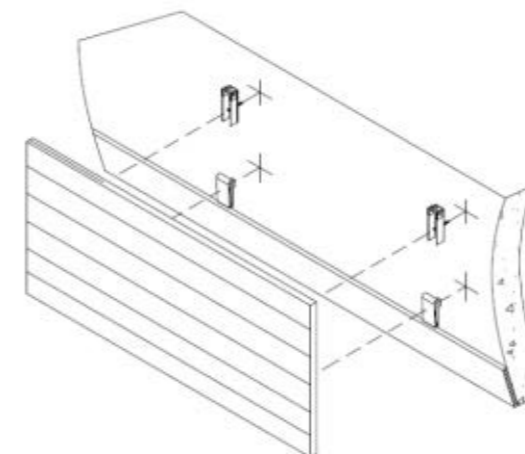
Fax : 01633 657224

Open 8:00 to 17:00 Monday to Friday

1 The Radiators are connected at either ABC or D. Cannot be connected Top Bottom Same End (AB or CD)



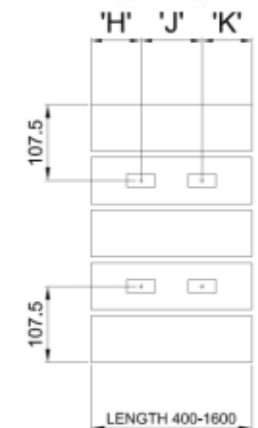
3 Align brackets on the wall as below



PANEL TYPE	BRACKET TYPES		SPACERS	
	A2	LN	10.5mm	55mm
H10		X		X
H20	X		X	

2 Using 'H', 'J', and 'K' dimensions shown, mark the bracket locations on the wall

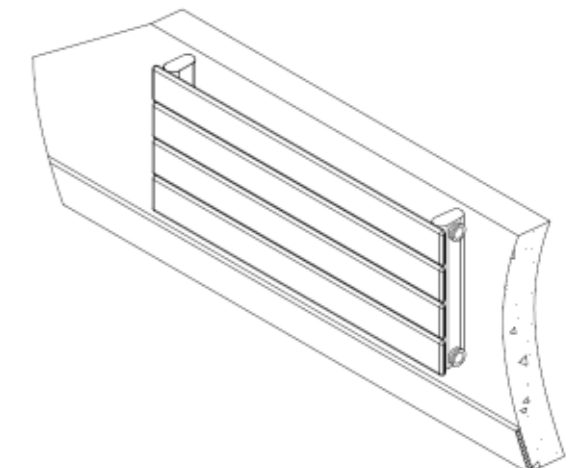
LENGTH	'H'	'J'	'K'
600	150	300	150
800	140	520	140
1000	140	720	140
1200	150	900	150
1400	150	1100	150



4 Drill necessary holes into the wall and secure the brackets

5 Fit air vent and blanking plugs

6 Fit radiator to wall. Plumb in the radiator and purge the air from the radiator using the air vent supplied



MORETTI

Product Warranty

Thank you for purchasing a Modena Product. Your Modena product has been designed and tested to give you many years of trouble-free service. For your additional peace of mind, Modena Radiators gives the following Warranty. Your statutory rights are not affected by this Warranty.

Subject as provided below. Modena Radiators underwritten by Moretti (UK) Ltd (“Moretti ”) warrants to the original purchaser at the original installation site that its products will be free from defects in materials and workmanship for the period of 5 (FIVE) years.

The original purchaser’s remedy for breach of this Warranty is expressly limited to repair or replacement of any part or parts found to be defective under conditions of normal service and use during the above Warranty period and does not extend to Moretti being liable for any incidental, special or consequential damages or losses whatsoever. Such as loss of use of the product, inconvenience or lost profits.

This Warranty does not cover any defect, damage or malfunction in the product which is due to; failure to comply in any respect with Moretti’s installation, maintenance or operating instructions; faulty storage, handling, installation or repair; mis-use; neglect; accident; abuse; or general wear and tear.

To ensure that our products provide you with the service that we expect, it is important that they are installed in accordance with the *British Standard Code of Practice for Central Heating for Domestic Premises BS 5449 Part 1* and the *British Standard Code of Practice for the Treatment of Water in Domestic Hot Water Central Heating Systems, BS7593*.

Before free service under this Warranty can be provided, the original purchaser will be required to prove the date of purchase and may be required to provide Moretti with supporting information, as Moretti may need to conduct its investigation into the alleged defect.

Moretti reserves the right to make reasonable charge for inspection and testing any product which is subject to a Warranty claim and the rights conferred by the Warranty are conditional upon the payment of such charge. The charge may be made at Moretti’s discretion, either before or after the inspection and testing of the product. In the event that it is established to Moretti’s reasonable satisfaction that a valid Warranty claim has been made in respect of the product, then charge which has been paid will be refunded in full by Moretti.