

INFORMATION FOR THE INSTALLER

- Flow and return must be opposite ends.
- Ensure there is no trapped air in the radiator by adequately venting the system during installation.
- Flowrate may need to be adjusted/ balanced for optimum performance.
- The radiator should be filled slowly from the bottom where possible.

General information

The installation and commissioning of the system should comply with BS EN 14336:2004. On completion of the installation, the system should be properly flushed and filled in accordance with the British Code of Practice for the Treatment of Water in Domestic Hot Water Central Heating Systems (BS 7593:2006). We strongly recommend the use of a corrosion inhibitor. Failure to comply with these standards might invalidate the manufacturer's warranty. All dimensions are in mm.

Purmo Group, Gateshead, NE11 0PG;
Purmo Group Newcastle West, V42 TD39

MORETTI

HARDWARE PACK



1 X VENT



1 X BLANK

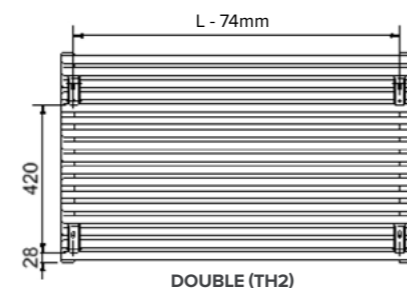
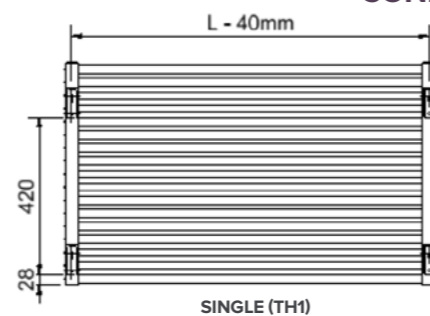


4 X A2 BRACKETS



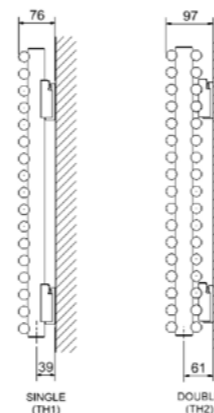
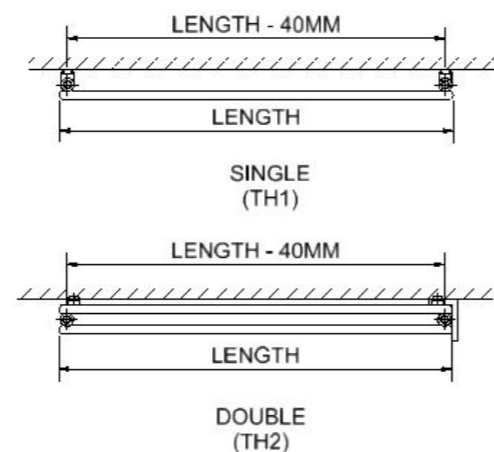
8 X ANTI VIBRATION CLIPS

BRACKET POSITIONS

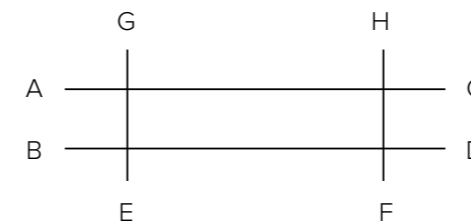


CONNECTION DETAILS

PIPE CENTRE DETAILS



CONNECTION LADDER



MOUNTING POSITIONS

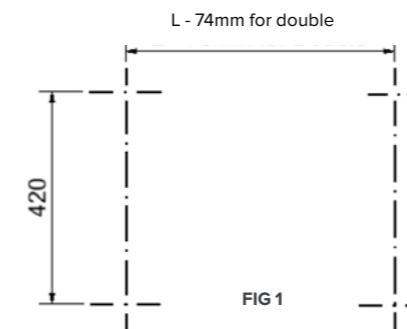
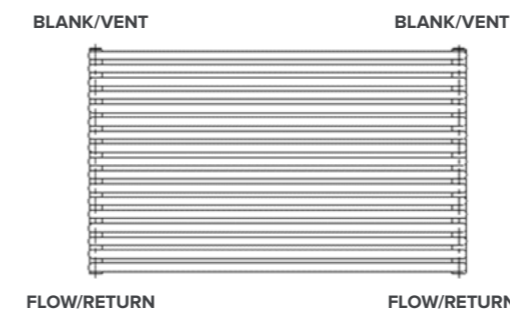


FIG 2



CONNECTION DETAILS



Installation instructions

Installation procedure:

1. Installation of this radiator may require two people to complete.
2. Choose the location where you wish to install the radiator and mark the positions for wall brackets with a pencil as indicated in FIG 1.
3. Drill the necessary holes in the wall and install the wall brackets.
4. Fit air vents/blanks to G & H.
5. Fit the anti-vibration clips on the wall brackets as shown in FIG 2.
6. Mount the radiator on the wall brackets.
7. Connect the water supply via the flow valve E or F as per connection ladder shown.
8. The return line of the central heating system is connected to the opposite side of the radiator via the lockshield valve E or F as per connection ladder shown.
9. Fill the radiator and purge the air from the radiator using the air vent if required.

Notes:

- Please retain these instructions for future reference.
- Please read the installation instructions thoroughly before mounting the radiator.
- Please choose appropriate wall fixings for the wall surface you are mounting the radiator on.
- Packaging includes a vapour barrier and will protect product from degrading.
- Radiators are supplied with a 10 year warranty subject to our terms and conditions.
- Radiators at end of life can be disposed as metal scrap at any recycling centre.
- Maximum working pressure 4 bar.



MORTUBHORINS



MORETTI

Product Warranty

Thank you for purchasing a Tuba Product. Your Tuba product has been designed and tested to give you many years of trouble-free service. For your additional peace of mind, we give the following Warranty. Your statutory rights are not affected by this Warranty.

Subject as provided below. Tuba Radiators underwritten by Moretti (UK) Ltd ("Moretti") warrants to the original purchaser at the original installation site that its products will be free from defects in materials and workmanship for the period of 5 (FIVE) years or 12 months if installed in high humidity.

The original purchaser's remedy for breach of this Warranty is expressly limited to repair or replacement of any part or parts found to be defective under conditions of normal service and use during the above Warranty period and does not extend to Moretti being liable for any incidental, special or consequential damages or losses whatsoever. Such as loss of use of the product, inconvenience or lost profits.

This Warranty does not cover any defect, damage or malfunction in the product which is due to; failure to comply in any respect with Moretti's installation, maintenance or operating instructions; faulty storage, handling, installation or repair; mis-use; neglect; accident; abuse; or general wear and tear.

The system should be designed in accordance with the British Standard Code of Practice for Water Based Heating Systems in Buildings BS EN 12828:2012+A1:2014 and BS EN 12831:2003. The installation and commissioning of the system should comply with BS EN 14336:2004. On completion of the installation the system should be properly flushed and filled in accordance with the British Code of Practice for the Treatment of Water in Domestic Hot Water Central Heating System BS 7593:2006, Part L of Building Regulations and Good Practice Guidance for Scotland. Moretti strongly recommend the use of corrosion inhibitor for all applications. Failure to observe these standards may invalidate the Warranty.

Before free service under this Warranty can be provided, the original purchaser will be required to prove the date of purchase and may be required to provide Moretti with supporting information, as Moretti may need to conduct its investigation into the alleged defect.

Moretti reserves the right to make reasonable charge for inspection and testing any product which is subject to a Warranty claim and the rights conferred by the Warranty are conditional upon the payment of such charge. The charge may be made at Moretti's discretion, either before or after the inspection and testing of the product. In the event that it is established to Moretti's reasonable satisfaction that a valid Warranty claim has been made in respect of the product, then charge which has been paid will be refunded in full by Moretti.