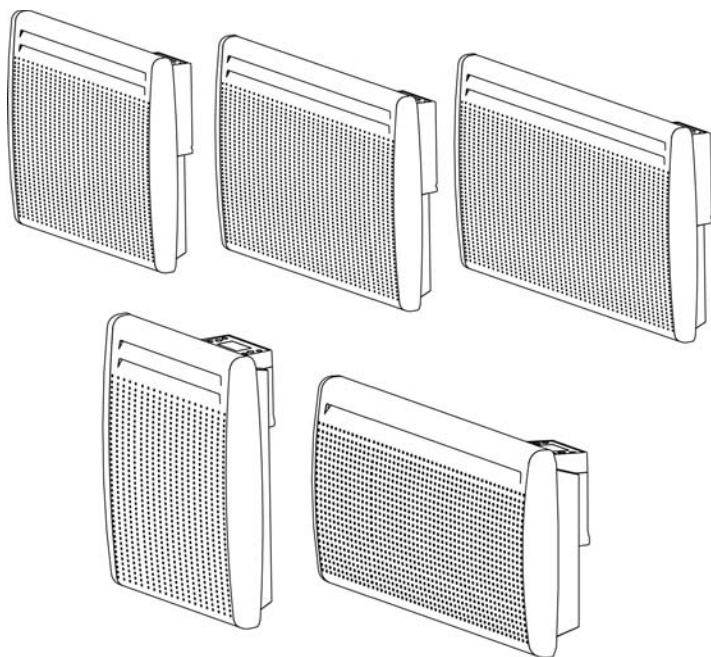


RADIANT PANEL HEATER



NE10EPC 840-1000W 3663602912880
NE15EPC 1250-1500W 3663602912897
NE20EPC 1680-2000W 3663602912903
NE5EPC 420-500W 3663602688525
NE10PCS 840-1000W 3663602688556

Let's get started...

These instructions are for your safety. Please read through them thoroughly before use and retain them for future reference.



Getting started... 02

Safety	03
Before you start	06
Quick start	12




In more detail... 18

Technical and legal information	19
Care and cleaning	25
Environment protection	26

PLEASE READ SAFETY INSTRUCTIONS CAREFULLY BEFORE USING THE UNIT.

- **This appliance can be used by children aged from 8 years and above and persons with reduced physical, sensory or mental capabilities or lack of experience and knowledge if they have been given supervision or instruction concerning use of the appliance in a safe way and understand the hazards involved. Children shall not play with the appliance. Cleaning and user maintenance shall not be made by children without supervision.**
- **Children of less than 3 years should be kept away unless continuously supervised.**
- **Children aged from 3 years and less than 8 years shall only switch on/off the appliance provided that it has been placed or installed in its intended normal operating position and they have been given supervision or instruction concerning use of the appliance in a safe way and understand the hazards involved.**
- **Children aged from 3 years and less than 8 years shall not plug in, regulate and clean the appliance or perform user maintenance.**
- **CAUTION — Some parts of this product can become very hot and cause burns. Particular attention has to be given where children and vulnerable people are present.**

- If the power cord is damaged, it must be replaced by the manufacturer, its service agent or similarly qualified persons in order to avoid a hazard.
- The appliance should not be placed immediately below a socket.
-  **WARNINGS** : In order to avoid overheating, do not cover the heater.
- Do not use this heater with a programmer, timer, separate remote control system or any other device that turns on the heater automatically because there is a risk of fire if the device is covered or placed incorrectly.
- **CAUTION:** To avoid hazard due to inadvertent resetting of the thermal cutout, this appliance must not be powered via an external switch, such as a timer, or connected to a circuit that is regularly switched on and off by the electricity supplier.
- This heater must not be disposed of with household waste; it must be taken to a local centre of recovery and recycling of electrical appliances.
- The heater must be installed so that switches and other control devices can not be touched by a person in the bath or shower.
- A means of disconnection from the power supply having a contact opening distance of all poles must be included in the fixed wiring in accordance with the installation requirements.

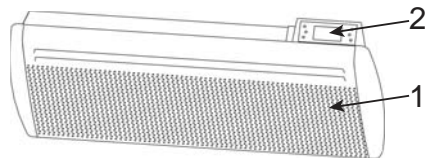
- **If being fitted in a bathroom, a 30mA RCD must be used.**
- **With respect to the details of how to install the appliance onto the wall, refer to "INSTALLATION" on pages 9-11.**

Things to check before you start

- ✓ For domestic use only.
- ✓ Never allow children or persons unable to operate the appliance safely to use this appliance without supervision.
- ✓ Please dispose of plastic bags carefully and keep them away from children.

Your product

1. Body
2. Control panel
3. Wall-mounted kits





NE10EPC/NE15EPC NE10PCS
/NE20EPC



NE5EPC



3

Description	Drawing	QTY		
		NE10EPC /NE15EPC /NE20EPC	NE5EPC	NE10PCS
Screw		4	3	2
Wall plug		4	3	2

INSTALLING THE APPLIANCE?

- This appliance is for indoor use only.
- Observe the minimum distances as shown in Fig. 1.
- The power connection is made by the 2 cables via a connection box. In places such as wet bathroom, laundry, kitchen, install the appliance at least 250 mm from the level of the ground.
- Do not install the unit in place where air flow that may disturb its regulation (e.g. under an air conditioning unit)

This heater is for wall mounting only. Do not attempt to use it free standing.

You need to follow the below requirements when you install your heater:

THIS PRODUCT IS SUITABLE FOR BATHROOMS ZONE 2 AND OUTSIDE ZONE;

- Means for disconnection having a contact separation in all poles must be incorporated in the fixed wiring in accordance with the wiring rules.

- Warning: you need to connect the two conductors of the supply cable to a connection block in respecting the polarities as following:

IMPORTANT: The wires in the mains lead are coloured in accordance with the following code:

Blue – Neutral

Brown – Live

The blue wire must be connected to the terminal marked with an N or coloured black.

The brown wire must be connected to the terminal marked with an L or coloured red.

WARNING: Never connect live or neutral wires to the earth terminal.



This product is double insulated and must not be earthed. If there are any incoming earth cables, they must be joined together using a suitable connector (not supplied) and well insulated with good quality insulation tape. This is to ensure earth continuity throughout your property.

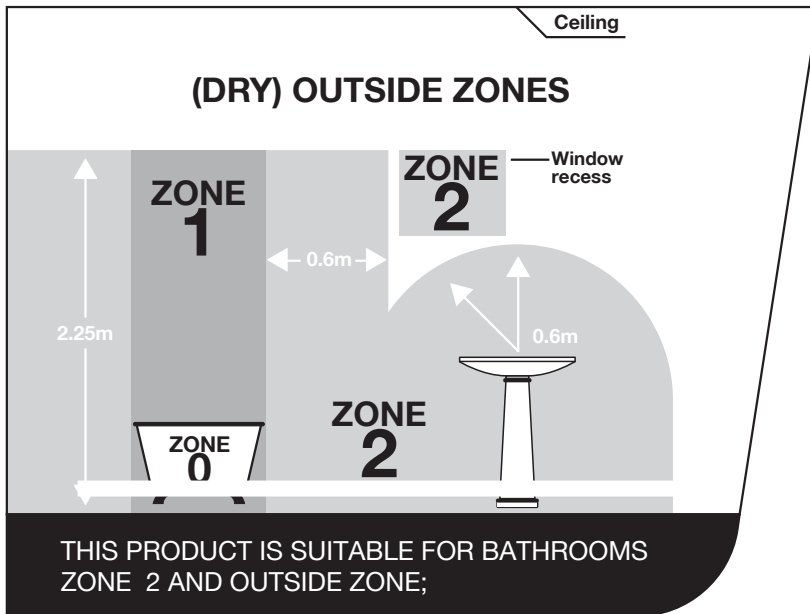
All fittings must be installed by a competent person in accordance with the current IET Wiring Regulations (BS7671). If in doubt, consult a qualified electrician.

This product is suitable for use in living areas, and Bathroom dry (Outside) Zones only (see diagram below and current IET Wiring Regulations for details). It is not suitable for Bathroom Zones 0,1, or other areas where contact with moisture is likely. If being fitted in a bathroom a 30mA RCD must be used. This appliance does not come fitted/supplied with a fused plug. DO NOT wire/fit a plug to this appliance. The appliance must be electrical connected to a fused fixed spur, which is fitted with a 13Amp fuse.

Always refer to the Reference Drawing for Bathroom Installation.

Note: the below drawing is for reference only.

We suggest you to contact a professional electrician for any help.



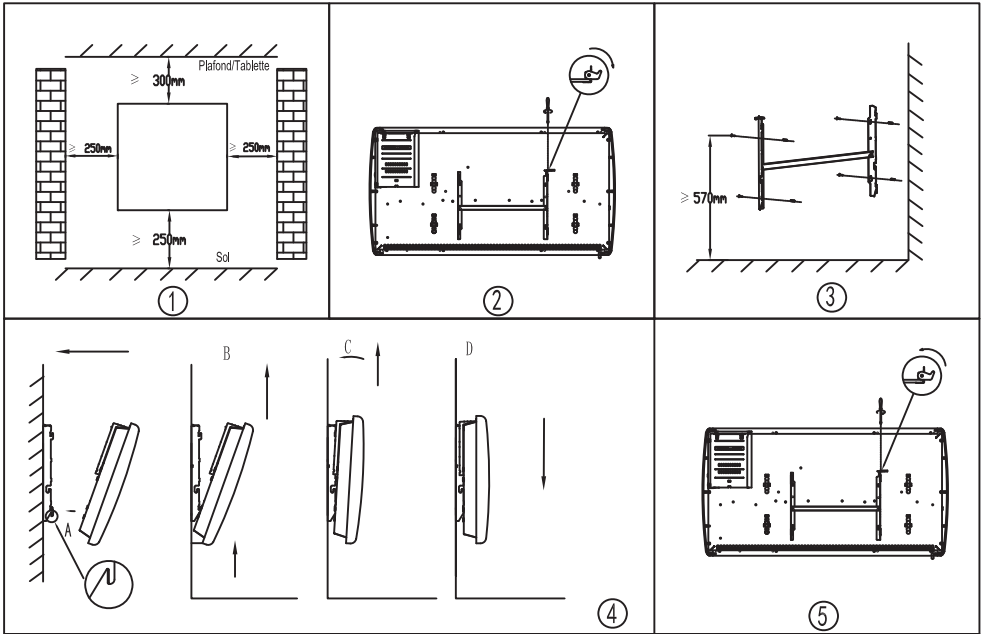
* Full details can be found in the current IET Wiring Regulations (BS7671)

INSTALLATION

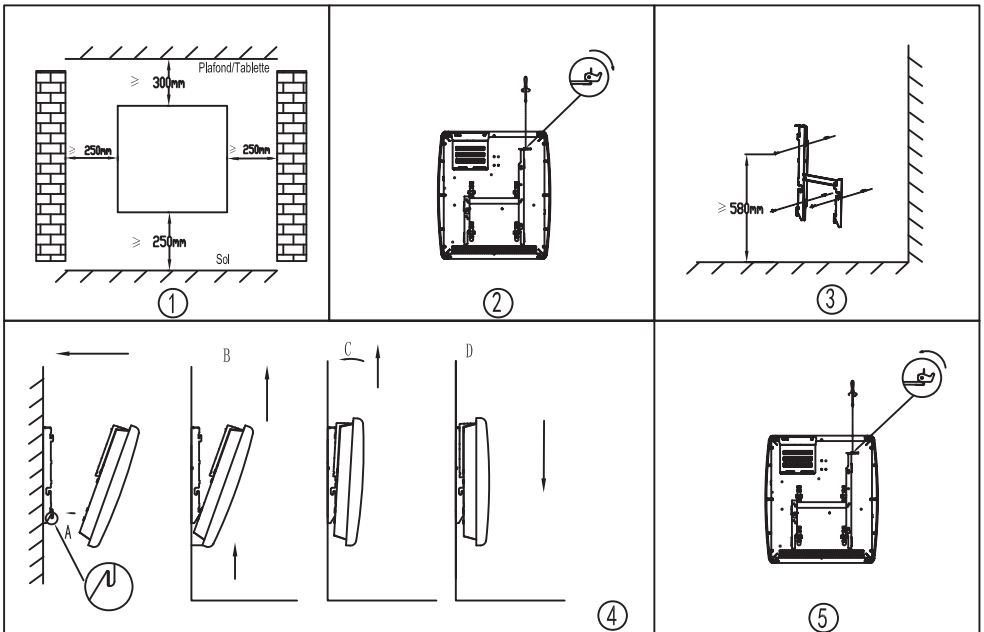
To hang the heater on the wall:

1. Choose a suitable installation location for the heater. (Figure 1)
2. Disassemble the wall bracket by loosening the screw (do not remove, only loosen) and slide the metal plate out of the hole. Take out the bracket by pulling down (Figure 2).
3. Verify that the bracket is perfectly horizontal with a spirit level and mark the location of holes (4 holes for NE10EPC/NE15EPC/NE20EPC, 3 holes for NE5EPC, 2 holes for NE10PCS) on the wall. Insert the pegs into the holes, then screw securely wall mount bracket onto the wall. (Figure 3)
4. Place the heater against bracket (Figure 4):
A : Align the heater on the lower hooks that are downwards.
B : Pull the heater upwards whilst retaining it in the lower hooks.
C : Align the heater on the upper hooks that are upwards.
D : Pull the heater down.
5. Slide the metal plate into the hole, and fasten the screw to lock the wall mount bracket (Figure 5).

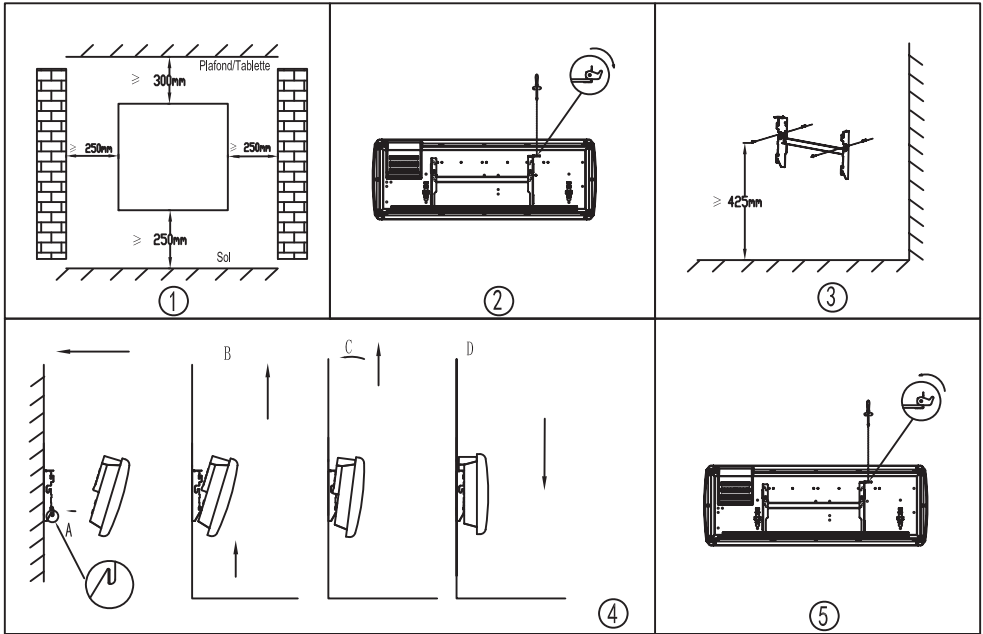
FIXINGS FOR NE10EPC/NE15EPC/NE20EPC



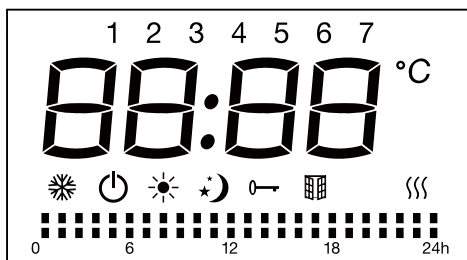
FIXINGS FOR NE5EPC








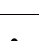

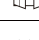
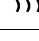
FIXINGS FOR NE10PCS



LCD display:



Functions of the icons on the LCD:

Symbol	Function
	Mode Standby (the appliance doesn't work but with power on)
	Mode Anti-freeze (the appliance maintains the temperature around 7°C)
	Mode Comfort (set the desired temperature)
	Mode ECO (ECO maintains the temperature that is 3.5 °C lower to comfort temperature. This mode reduces the temperature without disturbing the desired temperature in comfort mode)
	Mode P (Under mode P , the appliance will work at comfort mode as default (except for France)
	keyboard lock
	Window detector function
	Heating indicator (When appliance is heating up, this icon will show on the screen. The icon will disappear when detected temperature reach the set temperature.)
	Temperature (centigrade)

Weekly personalized modes:



Mode Comfort active

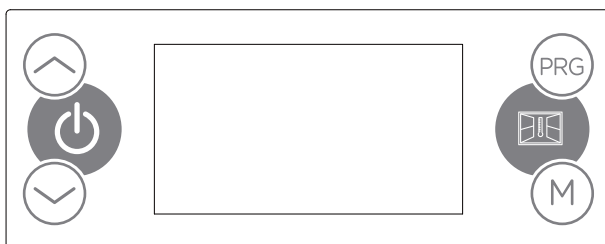


Mode ECO active



Standby

CONTROL PANEL



Symbol	Function
Touch	Set the time, day of the week, the temperature; or under weekly personalized programs, to choose between comfort mode, eco mode or standby mode.
Touch	Standby
Touch	To choose the weekly personalized program
Touch	To select Window detector function
Touch	To select the working mode comfort / eco / anti-freeze / P1 / P2 / P3 / P

HOW TO USE

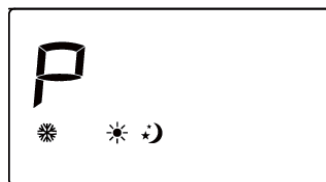
When first use the machine, there will be some smell. The smell will disappear after heater working for an hour.

I. Mode setting

1. For the first time you use the device, after you connect to the power supply and after that the clock is set, the device will be in standby mode, and you can press the standby button to go to comfort mode.

Notes: In case of power failure, the unit keep in memory only the parameters, temperature and operating mode. When power is restored, the clock should be adjusted again to operate the various programs properly P1/ P2/ P3/ personalized.

2. Press M button to toggle among the modes: Comfort mode , Economic mode Antifreeze mode , P1/P2/P3/P.
Under mode P , the appliance will work at comfort mode as default (except for France).

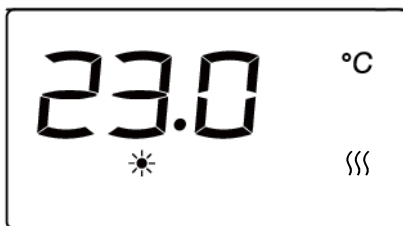


II. Temperature setting

1. Under the mode of comfort mode or Eco mode (excluding anti-freezing mode), press \wedge or \vee to choose the desired temperature. The temperature difference between mode ECO and mode comfort is 3.5°C, so the temperature of mode ECO is between 1.5°C and 25.5°C.

2. Press other buttons except \wedge / \vee to finish the setting, or after 5 seconds it will automatically save.

When the room temperature is higher than the selected temperature, the heater will stop heating.



III. Time setting

Note:

Press the \wedge to set the hour/minute/week.

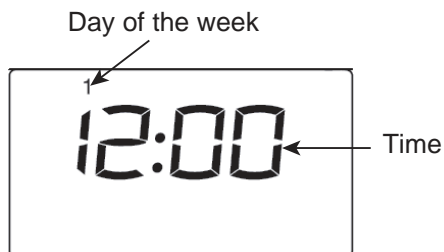
The time and day of the week remain valid as long as the power supply is not cut off.

The setting "day of the week" and "Time" applies to all programs (see Section IV, P1 / P2 / P3 / Personalized).

1. Press \wedge and \vee at the same time to start the time setting.

2. Continue to press \wedge to toggle among hour/minute/week.

3. Press the \vee to set the hour/minute/week.

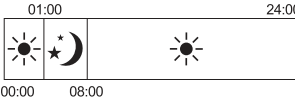
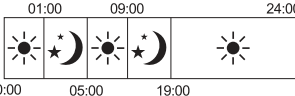
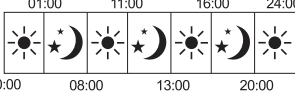
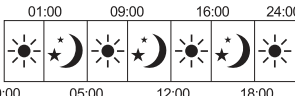
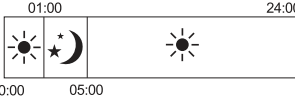


Selection	Displayed icon
Monday	1
Tuesday	2
Wednesday	3
Thursday	4
Friday	5
Saturday	6
Sunday	7
Hour	00-23
Minute	00-59

4. Press other buttons except \wedge / \vee to finish the setting, or after 10 Seconds it will automatically save.

IV. Program setting

1. Pre-installed programs P1/P2/P3

P1	Mon-Sun 
P2	day workables 
	weekends 
P3	day workables 
	weekends 

P1 / P2 / P3 programs are pre-installed programs. After confirming the program, the program icon and the set temperature will be shown on the screen.

2. Setting the personalized program

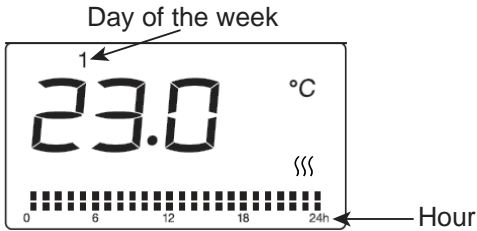
Press PRG button to select between “day (1-7)” and “heating mode of different periods (00:00-24:00)”.

Select the desired day(1-7) or heating mode by pressing \wedge / \vee buttons.

When setting “heating mode of different period(00:00-24:00)”, press \wedge button to choose hours, and \vee to choose among function: comfort I , economic II , and standby mode III . after 30 seconds it will automatically finish.

For example: to select the day 1, temperature of 23°C, comfort mode for 24 hours:

1. Press PRG, then \wedge / \vee to choose day 1.

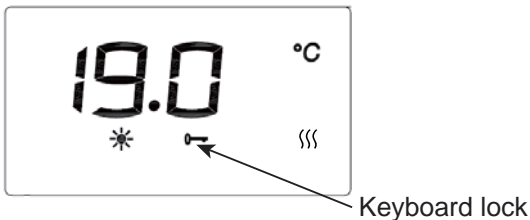


2. Press the PRG button again, press \wedge to choose the hour, \vee to choose comfort mode and then repeat for the entire 24 hours.
3. After 30 seconds without action, the setting is saved.

Notes: In case of power failure, the unit keep in memory only the parameters, temperature and operating mode. When power is restored, the clock should be adjusted again to operate the various programs properly P1/ P2/ P3 /personalized.

V: Keyboard lock


Press M button for three seconds to activate the keyboard lock function $\text{0} \rightarrow$, in order to unlock, press M again for three seconds.



Remarks:

1. The keyboard lock function doesn't lock the standby 0 button.
2. The keyboard lock function will automatically be deactivated under below circumstances.
 - 1) the appliance is turned off by pressing standby 0 button.
 - 2) the appliance suffer power disconnection
 You need to set again by pressing M for 3 seconds if you need this function.

VI: Window detector function

Press  button to enter window detector function. The appliance will enter comfort mode as default. If temperature decrease detected, the appliance will automatically enter anti-freeze mode. If temperature rise up, the appliance will go back to comfort mode. You can press M or PRG button to choose other modes, or press standby button to enter standby mode.

REMARKS: under window function, pilot control is not available.

VII: Backlight

The backlight is automatically turned off:

1. 60 seconds after the keyboard lock

The backlight is reactivated when the system unlocked.

2 60 seconds after the last use of the front keys.

The backlight reactivates after a key has been activated.

VIII: Validity of settings

All the above settings for temperature, time, the date of week and the programs remain valid until the electric power is not cut.

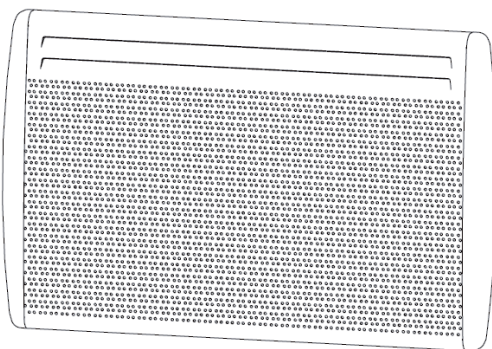
In case of power failure, the device keeps in memory only the parameters, temperature and operating mode. When power is restored, the clock must be set again to operate the various programs correctly P1 / P2 / P3 / personalized.

Lock the keyboard after making your settings to avoid any setting is deactivated inadvertently by the engagement of a key.



In more detail...

Technical information	19
Care and cleaning	25
Environmental protection	26



Technical Specifications

Model no.	Voltage & Frequency	Power (Watt)	Product Dimension H x W x D (mm)	Class	IP
NE10EPC	220-240V~ 50/60Hz	840-1000W	450x570x110	Double isolation CLASS II	IPX4
NE15EPC	220-240V~ 50/60Hz	1250-1500W	450x720x110	Double isolation CLASS II	IPX4
NE20EPC	220-240V~ 50/60Hz	1680-2000W	450x870x110	Double isolation CLASS II	IPX4
NE5EPC	220-240V~ 50/60Hz	420-500W	450x400x110	Double isolation CLASS II	IPX4
NE10PCS	220-240V~ 50/60Hz	840-1000W	283x790x110	Double isolation CLASS II	IPX4

Information requirements for electric local space heaters

Model identifier(s): NE10EPC					
Item	Symbol	Value	Unit	Item	Unit
Heat output				Type of heat input, for electric storage local space heaters only (select one)	
Nominal heat output	P_{nom}	0.5	kW	manual heat charge control, with integrated thermostat	NA
Minimum heat output (indicative)	P_{min}	0	kW	manual heat charge control with room and/or outdoor temperature feedback	NA
Maximum continuous heat output	$P_{max,c}$	0.5	kW	electronic heat charge control with room and/or outdoor temperature feedback	NA
Auxiliary electricity consumption				fan assisted heat output	NA
At nominal heat output	eI_{max}	NA	kW	Type of heat output/room temperature control (select one)	
At minimum heat output	eI_{min}	NA	kW	single stage heat output and no room temperature control	[no]
In standby mode	eI_{SB}	0	kW	Two or more manual stages, no room temperature control	[no]
				with mechanic thermostat room temperature control	[no]
				with electronic room temperature control	[no]
				electronic room temperature control plus day timer	[no]
				electronic room temperature control plus week timer	[yes]
				Other control options (multiple selections possible)	
				room temperature control, with presence detection	[no]
				room temperature control, with open window detection	[yes]
				with distance control option	[no]
				with adaptive start control	[no]
				with working time limitation	[no]
				with black bulb sensor	[no]
Contact details	Kingfisher International Products Limited 3 Sheldon Square, London W2 6PX, United Kingdom				

Information requirements for electric local space heaters

Model identifier(s): NE15EPC					
Item	Symbol	Value	Unit	Item	Unit
Heat output				Type of heat input, for electric storage local space heaters only (select one)	
Nominal heat output	P_{nom}	0.8	kW	manual heat charge control, with integrated thermostat	NA
Minimum heat output (indicative)	P_{min}	0	kW	manual heat charge control with room and/or outdoor temperature feedback	NA
Maximum continuous heat output	$P_{max,c}$	0.8	kW	electronic heat charge control with room and/or outdoor temperature feedback	NA
Auxiliary electricity consumption				fan assisted heat output	NA
At nominal heat output	eI_{max}	NA	kW	Type of heat output/room temperature control (select one)	
At minimum heat output	eI_{min}	NA	kW	single stage heat output and no room temperature control	[no]
In standby mode	eI_{SB}	0	kW	Two or more manual stages, no room temperature control	[no]
				with mechanic thermostat room temperature control	[no]
				with electronic room temperature control	[no]
				electronic room temperature control plus day timer	[no]
				electronic room temperature control plus week timer	[yes]
				Other control options (multiple selections possible)	
				room temperature control, with presence detection	[no]
				room temperature control, with open window detection	[yes]
				with distance control option	[no]
				with adaptive start control	[no]
				with working time limitation	[no]
				with black bulb sensor	[no]
Contact details	Kingfisher International Products Limited 3 Sheldon Square, London W2 6PX, United Kingdom				

Information requirements for electric local space heaters

Model identifier(s): NE20EPC					
Item	Symbol	Value	Unit	Item	Unit
Heat output				Type of heat input, for electric storage local space heaters only (select one)	
Nominal heat output	P_{nom}	1.1	kW	manual heat charge control, with integrated thermostat	NA
Minimum heat output (indicative)	P_{min}	0	kW	manual heat charge control with room and/or outdoor temperature feedback	NA
Maximum continuous heat output	$P_{max,c}$	1.1	kW	electronic heat charge control with room and/or outdoor temperature feedback	NA
Auxiliary electricity consumption				fan assisted heat output	NA
At nominal heat output	el_{max}	NA	kW	Type of heat output/room temperature control (select one)	
At minimum heat output	el_{min}	NA	kW	single stage heat output and no room temperature control	[no]
In standby mode	el_{SB}	0	kW	Two or more manual stages, no room temperature control	[no]
				with mechanic thermostat room temperature control	[no]
				with electronic room temperature control	[no]
				electronic room temperature control plus day timer	[no]
				electronic room temperature control plus week timer	[yes]
				Other control options (multiple selections possible)	
				room temperature control, with presence detection	[no]
				room temperature control, with open window detection	[yes]
				with distance control option	[no]
				with adaptive start control	[no]
				with working time limitation	[no]
				with black bulb sensor	[no]
Contact details	Kingfisher International Products Limited 3 Sheldon Square, London W2 6PX, United Kingdom				

Information requirements for electric local space heaters

Model identifier(s): NE5EPC					
Item	Symbol	Value	Unit	Item	Unit
Heat output				Type of heat input, for electric storage local space heaters only (select one)	
Nominal heat output	P_{nom}	0.3	kW	manual heat charge control, with integrated thermostat	NA
Minimum heat output (indicative)	P_{min}	0	kW	manual heat charge control with room and/or outdoor temperature feedback	NA
Maximum continuous heat output	$P_{max,c}$	0.3	kW	electronic heat charge control with room and/or outdoor temperature feedback	NA
Auxiliary electricity consumption				fan assisted heat output	
At nominal heat output	el_{max}	NA	kW	Type of heat output/room temperature control (select one)	
At minimum heat output	el_{min}	NA	kW	single stage heat output and no room temperature control	[no]
In standby mode	el_{SB}	0	kW	Two or more manual stages, no room temperature control	[no]
				with mechanic thermostat room temperature control	[no]
				with electronic room temperature control	[no]
				electronic room temperature control plus day timer	[no]
				electronic room temperature control plus week timer	[yes]
Other control options (multiple selections possible)					
				room temperature control, with presence detection	[no]
				room temperature control, with open window detection	[yes]
				with distance control option	[no]
				with adaptive start control	[no]
				with working time limitation	[no]
				with black bulb sensor	[no]
Contact details	Kingfisher International Products Limited 3 Sheldon Square, London W2 6PX, United Kingdom				

Information requirements for electric local space heaters

Model identifier(s): NE10PCS					
Item	Symbol	Value	Unit	Item	Unit
Heat output				Type of heat input, for electric storage local space heaters only (select one)	
Nominal heat output	P_{nom}	0.5	kW	manual heat charge control, with integrated thermostat	NA
Minimum heat output (indicative)	P_{min}	0	kW	manual heat charge control with room and/or outdoor temperature feedback	NA
Maximum continuous heat output	$P_{max,c}$	0.5	kW	electronic heat charge control with room and/or outdoor temperature feedback	NA
Auxiliary electricity consumption				fan assisted heat output	NA
At nominal heat output	eI_{max}	NA	kW	Type of heat output/room temperature control (select one)	
At minimum heat output	eI_{min}	NA	kW	single stage heat output and no room temperature control	[no]
In standby mode	eI_{SB}	0	kW	Two or more manual stages, no room temperature control	[no]
				with mechanic thermostat room temperature control	[no]
				with electronic room temperature control	[no]
				electronic room temperature control plus day timer	[no]
				electronic room temperature control plus week timer	[yes]
				Other control options (multiple selections possible)	
				room temperature control, with presence detection	[no]
				room temperature control, with open window detection	[yes]
				with distance control option	[no]
				with adaptive start control	[no]
				with working time limitation	[no]
				with black bulb sensor	[no]
Contact details	Kingfisher International Products Limited 3 Sheldon Square, London W2 6PX, United Kingdom				

CARE AND CLEANING

1. Before cleaning the appliance, switch off the appliance supply and wait until it is completely cooled.
2. Use a damp cloth to clean the housing of the device.
3. Clean grilles and air outlet regularly.
4. Do not use water, liquids, abrasive detergents or chemicals (alcohol, petrol, etc.) for cleaning..

ENVIRONMENTAL PROTECTION

This symbol is known as the 'Crossed-out Wheelie Bin Symbol'. When this symbol is marked on a product or battery, it means that it should not be disposed of with your general household waste. Some chemicals contained within electrical/electronic products or batteries can be harmful to health and the environment. Only dispose of electrical/electronic/battery items in separate collection schemes, which cater for the recovery and recycling of materials contained within. Your co-operation is vital to ensure the success of these schemes and for the protection of the environment.



The above instruction is suitable for UNITED KINGDOM USE ONLY

yyWxx: Manufacturing date code; year of manufacturing (yy) and week of manufacturing (Wxx)



Manufacturer: Kingfisher International Products Limited

3 Sheldon Square
London W2 6PX
United Kingdom



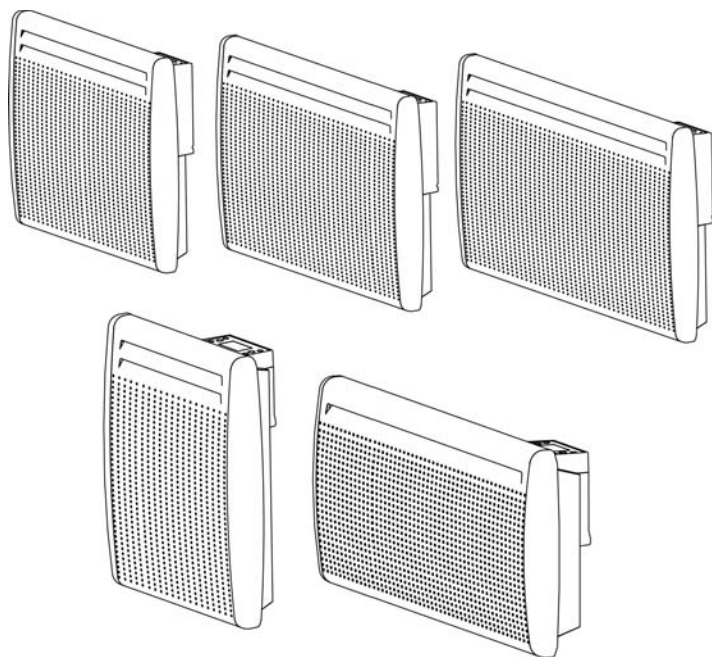
Distributor: B&Q plc

Chandlers Ford, Hants,
SO53 3LE United Kingdom
www.diy.com

Distributor: SFD Limited

Trade House, Mead Avenue
Yeovil
BA22 8RT, United Kingdom
www.screwfix.com

PANNEAU RAYONNANT



HE10EPC 1000W 3663602912910
HE15EPC 1500W 3663602912927
HE20EPC 2000W 3663602912934
HE5EPC 500W 3663602688532
HE10PCS 1000W 3663602688563

C'est parti...

Ces instructions visent à assurer votre sécurité. Veuillez les lire très attentivement avant utilisation, puis les conserver pour pouvoir vous y référer ultérieurement.



Pour bien commencer...

02

Sécurité

03

Avant **de** commencer

06

Utilisation rapide

11



Et dans le détail...

17

Informations techniques et légales

18

Entretien et nettoyage

24

MERCI DE BIEN VOULOIR LIRE LES CONSIGNES DE SÉCURITÉ ATTENTIVEMENT AVANT D'UTILISER L'APPAREIL.

- **Cet appareil peut être utilisé par des enfants âgés d'au moins 8 ans et par des personnes ayant des capacités physiques, sensorielles ou mentales réduites ou dénuées d'expérience ou de connaissance, s'ils (si elles) sont correctement surveillé(e)s ou si des instructions relatives à l'utilisation de l'appareil en toute sécurité leur ont été données et si les risques encourus ont été appréhendés. Les enfants ne doivent pas jouer avec l'appareil. Le nettoyage et l'entretien par l'utilisateur ne doivent pas être effectués par des enfants sans surveillance.**
- **Il convient de maintenir à distance les enfants de moins de 3 ans, à moins qu'ils ne soient sous une surveillance continue.**
- **Les enfants âgés entre 3 ans et 8 ans doivent uniquement mettre l'appareil en marche ou à l'arrêt, à condition que ce dernier ait été placé ou installé dans une position normale prévue et que ces enfants disposent d'une surveillance ou aient reçu des instructions quant à l'utilisation de l'appareil en toute sécurité et en comprennent bien les dangers potentiels.**
- **Les enfants âgés entre 3 ans et 8 ans ne doivent ni brancher, ni régler ni nettoyer l'appareil, et ni réaliser l'entretien de l'utilisateur.**
- **ATTENTION - Certaines parties de ce produit peuvent devenir très chaudes et provoquer des brûlures. Il faut**

prêter une attention particulière en présence d'enfants et de personnes vulnérables.

- Si le câble d'alimentation est endommagé, il doit être remplacé par le fabricant, son service après vente ou des personnes de qualification similaire afin d'éviter un danger.
- L'appareil de chauffage ne doit pas être placé juste en dessous d'une prise de courant.



- **MISE EN GARDE:** Pour éviter une surchauffe, ne pas couvrir l'appareil de chauffage.
- Ne pas utiliser cet appareil de chauffage avec un programmateur, une minuterie, un système de commande à distance séparé ou tout autre dispositif qui met l'appareil de chauffage sous tension automatiquement, car il y a risque de feu si l'appareil est recouvert ou placé de façon incorrecte.
- **ATTENTION:** Afin d'éviter tout danger dû au réarmement intempestif du coupe-circuit thermique, cet appareil ne doit pas être alimenté par l'intermédiaire d'un interrupteur externe, comme une minuterie, ou être connecté à un circuit qui est régulièrement mis sous tension et hors tension par le fournisseur d'électricité.
- Ce radiateur ne doit pas être jeté avec les ordures ménagères; il doit être apporté à un centre local de récupération et de recyclage des appareils électriques.
- L'appareil de chauffage doit être installé de façon telle que les interrupteurs et autres dispositifs de commande ne puissent pas être touchés par une

personne dans la baignoire ou la douche.

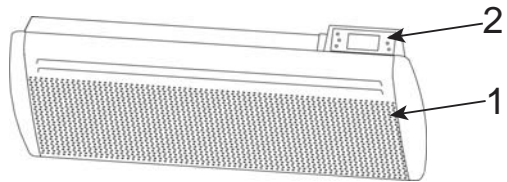
- Un moyen de déconnexion du réseau d'alimentation ayant une distance d'ouverture des contacts de tous les pôles doit être prévu dans la canalisation fixe conformément aux règles d'installation.
- **Avertissement:** si cet appareil est installé dans une salle de bain, il doit être installé au minimum à 60 cm d'une baignoire ou d'une douche, conformément aux exigences de la norme française d'installation électrique NFC15-100.
- L'appareil doit être alimenté par l'intermédiaire d'un dispositif à courant différentiel résiduel (DDR) ayant un courant différentiel de fonctionnement assigné ne dépassant pas 30 mA.
- En ce qui concerne les informations détaillées sur la méthode de fixation et pour l'installation de l'appareil de chauffage destiné à être fixé par des vis ou d'autres moyens, référez-vous dans la section "INSTALLATION DE L'APPAREIL" en pages 7-9.

Liste des informations à vérifier avant de commencer

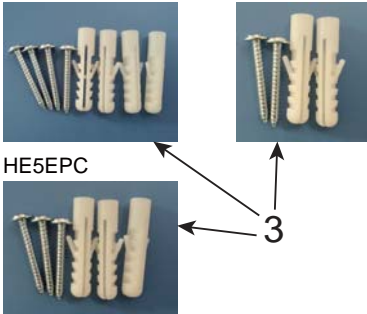
- ✓ Pour une utilisation domestique uniquement.
- ✓ Les enfants ou les personnes incapables d'utiliser l'appareil de façon sûre ne doivent jamais utiliser cet appareil.
- ✓ Merci de bien vouloir jeter les emballages plastiques et les garder hors de portée des enfants.

Votre produit

1. Partie principale
2. Panneau de commande
3. Accessoires fournis



HE10EPC/HE15EPC HE10PCS
/HE20EPC



Description	Pièce	Qté		
		HE10EPC /HE15EPC /HE20EPC	HE5EPC	HE10PCS
Vis longue		4	3	2
Cheilles		4	3	2

OU INSTALLER L'APPAREIL ?

- Installation et usage intérieur.
- L'appareil de chauffage ne doit pas être placé juste en dessous d'une prise de courant.
- Respectez les distances minimum de dégagement comme indiqué dans la Fig. 1.
- Le raccordement au secteur s'effectue par le câble 3 fils via un boîtier de raccordement. Dans les endroits humides tels que salle de bain, buanderie, cuisine, il faut installer le boîtier de raccordement au moins à 25cm par

rapport au niveau du sol.

- N'installez pas l'appareil dans un flux d'air susceptible de perturber sa régulation (ex. sous une climatisation, VMC, ...)

Mise en garde : à faire installer par un professionnel selon la norme d'installation applicable dans chaque pays (NF C 15 100 pour la France ou équivalent pour les autres pays)

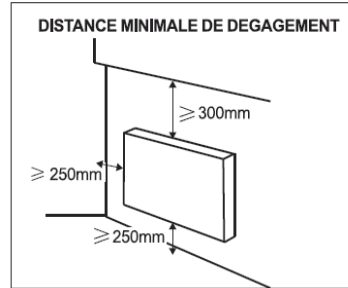


FIG 1

INSTALLATION DE L'APPAREIL

Pour accrocher votre chauffage au mur :

1. Choisissez un emplacement adéquat pour le chauffage. (Figure 1)

2. Démontez le support mural en desserrant la vis (pas dévisser, desserrer seulement) et en faisant glisser la tranche de métal hors du trou. Sortez le support en tirant vers le bas (Figure 2).

3. Vérifiez que le support est parfaitement horizontal à l'aide d'un niveau à bulle et marquez l'emplacement des trous (4 trous pour HE10EPC/HE15EPC/HE20EPC, 3 trous pour HE5EPC, 2 trous pour HE10PCS) sur le mur. Insérez les chevilles dans les trous, puis vissez solidement le support de fixation murale sur le mur. (Figure 3)

4. Placez le chauffage contre son support de fixation murale (Figure 4):

A: Positionnez le chauffage en sorte d'aligner ses trous de

suspension inférieurs avec les crochets inférieurs du support de fixation murale.

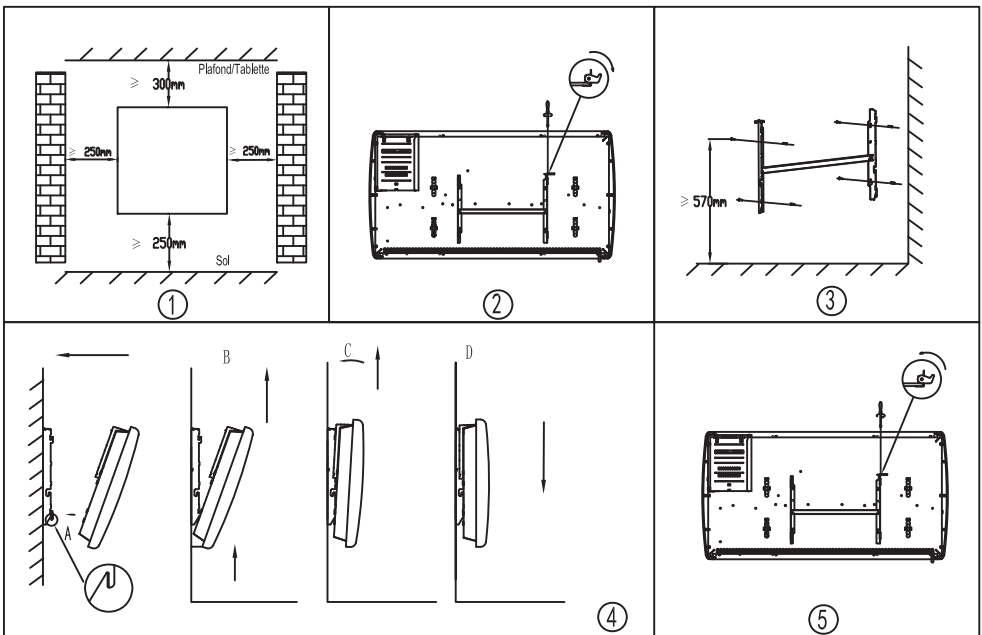
B: Poussez le chauffage vers le bas jusqu'à ce que les crochets s'encastrent dans les trous.

C: Positionnez le chauffage en sorte d'aligner ses trous de suspension supérieurs avec les crochets supérieurs du support de fixation murale.

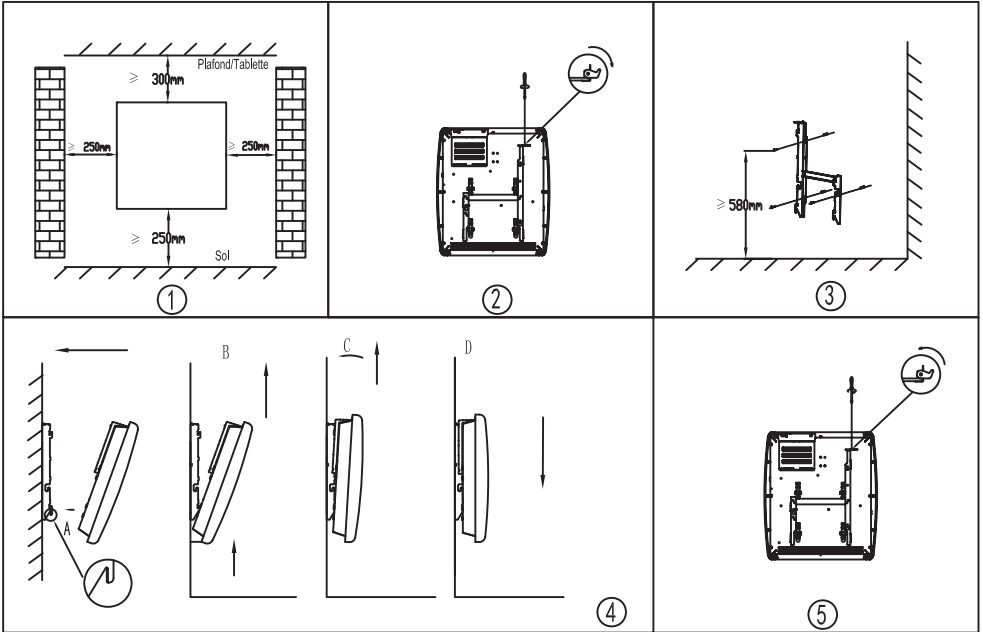
D: Tirer l'appareil vers le bas.

5. Faites glisser la tranche de métal dans le trou, et serrer la vis pour verrouiller le support mural. (Figure 5)

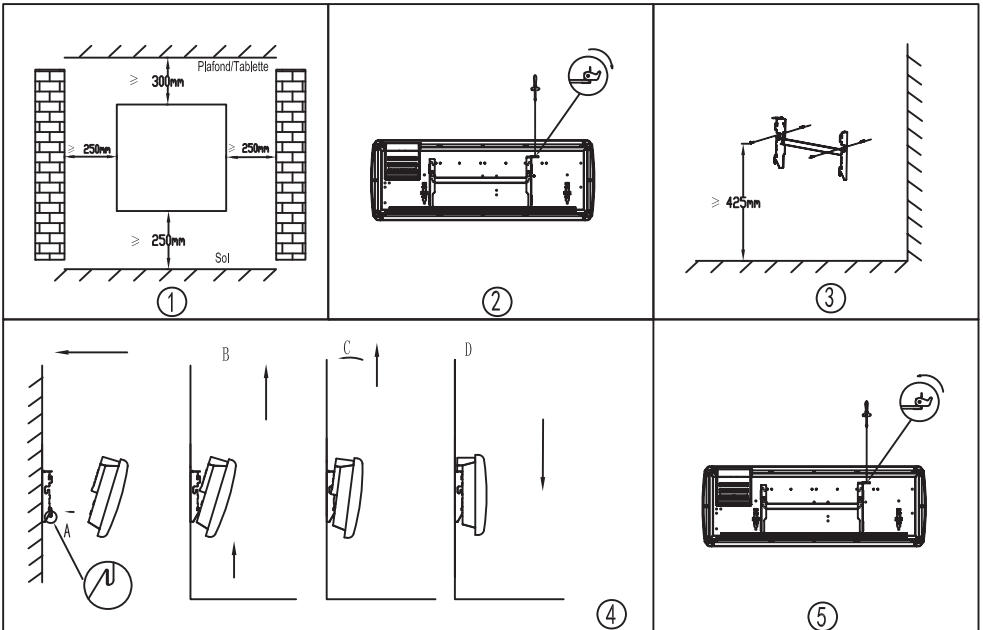
FIXATION POUR HE10EPC/HE15EPC/HE20EPC



FIXATION POUR HE5EPC



FIXATION POUR HE10PCS



CONNEXION ELECTRIQUE

- L'appareil est alimenté en 230V 50Hz
- Raccorder le câblage 3 fils comme suit :
Marron=phase, Bleu=Neutre, noir=filpilote
- Appareil de la classe II (double isolation). Le raccordement à la terre est interdit. Ne pas brancher le fil pilote (noir) à la terre.
- En l'absence de fil pilote, isolez le bout dénudé du fil noir pour éviter tout contact électrique avec les autres fils ou la terre.
- L'appareil doit être raccordé par un électricien qualifié.

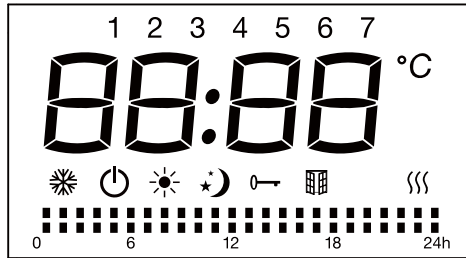
Préparation avant utilisation

Ouverture du carton et déballage de l'appareil.

Avant de relier l'appareil à l'alimentation, vérifier que la tension de l'alimentation générale est la même que celle du produit (indiquée sur la plaque signalétique).

Assurez-vous que tous les emballages (les mousses de protection ou plastiques) ont été enlevés avant de connecter L'appareil au réseau d'alimentation.

Ecran LCD:



Icônes fonctionnelles de l'écran LCD:

Symbole	Fonction
	Mode veille (l'appareil ne fonctionne pas mais est mis sous tension)
	Mode hors gel (l'appareil maintient la température ambiante à environ 7°C)
	Mode confort (réglage de la température souhaitée)
	Mode eco (maintient la température ECO qui est égale à la température de confort abaissée de 3,5°C. Ce mode permet de diminuer la température sans dérégler la température souhaitée dans le mode confort)
	Mode pilote (programmes quotidiens par programmeur fil pilote)
	Verrouillage du clavier
	Fonction détection automatique d'aération
	Indicateur de chauffage (quand l'appareil chauffe, cette icône s'affiche sur l'écran. L'icône disparaît quand la température détectée atteint la température réglée.)
	Température (centigrades)

Réglage personnalisé du mode:



Mode Confort active

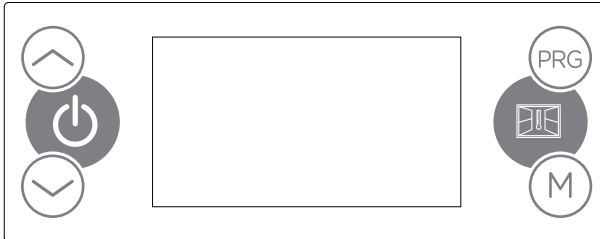





Mode éco active



Veille

Les commandes



Symbole	Fonction
Touche 	permet de moduler le temps, le jour de la semaine, la température OU via les réglages personnalisés de choisir entre le mode confort, le mode éco ou le mode veille.
Touche 	veille/marche
Touche PRG	permet de choisir le programme personnalisé
Touche 	permet de choisir la fonction détection automatique d'aération
Touche M	permet de choisir le mode de fonctionnement Confort/ Eco/ hors-gel/ P1/ P2/ P3/ Pilote

FONCTIONNEMENT

Lors de la première utilisation, une odeur peut se dégager. celle-ci disparaîtra après que l'appareil de chauffage ait fonctionné pendant environ une heure.

I. Réglage du mode de fonctionnement

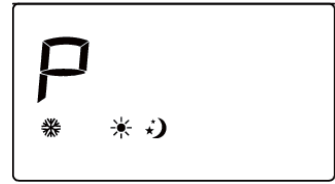
1. Pour la première fois que vous utilisez l'appareil, après avoir branché à l'alimentation électrique et après que l'horloge soit réglée, l'appareil sera en mode veille, et vous pouvez appuyer sur le bouton veille pour accéder au mode confort.

Notes: En cas de coupure de courant, l'appareil conserve uniquement en mémoire les paramètres, température et mode du thermostat. Lors de la remise sous tension, l'horloge devra être de nouveau réglée afin de faire fonctionner les différents programmes correctement P1/P2/P3/Personnalisé.

2. Appuyez sur la touche M pour choisir l'un des 6 modes:

Mode confort ☀, mode économique ☆), mode hors-gel ❄, P1/ P2/ P3/ Pilote P.

Sous le mode Pilote P, réglez le chauffage à l'aide du programmateur externe.



Sous le mode Pilote P, réglez le chauffage à l'aide du programmateur externe.

En fonction des programmes enregistrés sur le programmateur externe, l'écran affiche les informations reçues suivantes :

Réglage du mode commande du pilote	Icone affichée
Mode Confort ☀	P ☀
Mode Confort ☀ -1	P-1 ☀
Mode Confort ☀ -2	P-2 ☀
Mode Eco ☆)	P ☆)
Mode Hors Gel ❄	P ❄
Mode Veille	P ⏻

II. Réglage de la température.

1. Appuyer sur la touche ^/∨ pour régler la température entre 5°C et 29°C pour les modes confort et pilote. La différence de température entre le mode ECO et le mode CONFORT étant de 3.5°C, la plage de température en mode ECO se situera entre 1.5°C et 25.5°C.

2. Appuyer sur les autres boutons excepté les touches ^/∨ pour confirmer le réglage, ou le réglage sera confirmé automatiquement après 5 secondes.

Lorsque la température de la salle est supérieure à la température sélectionnée, le chauffage arrête de fonctionner.



III. Réglage de l'heure et du jour de la semaine

Notez:

L'heure et le jour de la semaine restent valides tant que l'alimentation électrique n'est pas coupée.

Le réglage "Jour de la semaine" et "Heure" s'applique à tous les programmes (Voir la section IV, P1/P2/P3/Personnalisé).

1. Appuyer sur les touches \wedge et \vee en même temps pour régler le temps.
2. Appuyer sur la touche \wedge pour appuyée pour basculer parmi heure/minute/ semaine.
3. Appuyez sur la touche \vee pour régler heure/minute/semaine.



Sélection	Icône affichée
Lundi	1
Mardi	2
Mercredi	3
Jeudi	4
Vendredi	5
Samedi	6
Dimanche	7
Heure	00-23
Minute	00-59

4. Appuyer sur les autres boutons excepté les touches \wedge / \vee pour confirmer le réglage, ou le réglage sera confirmé automatiquement après 10 secondes.

IV.Réglage du mode programme

- 1.Appuyer sur la touche "M" pour choisir un programme parmi les programmes préinstallés P1/P2/P3.

P1	<p>01:00 24:00</p> <p>Lun-Dim</p> <p>00:00 08:00</p>
P2	<p>01:00 09:00 24:00</p> <p>Lun-Vend</p> <p>00:00 05:00 11:00 16:00 24:00</p> <p>weekends</p> <p>00:00 08:00 13:00 20:00</p>
P3	<p>01:00 09:00 16:00 24:00</p> <p>Lun-Vend</p> <p>00:00 05:00 12:00 18:00 24:00</p> <p>weekends</p> <p>00:00 05:00</p>

Les programmes P1/P2/P3 sont des programmes préinstallés. Une fois le programme confirmé, l'icône du programme et la température de la pièce seront réglés à l'écran.

2. Réglage du programme personnalisé

Appuyer sur la touche PRG pour régler le "jour (1 à 7)" et le "mode de chauffage des différentes plages horaires (00:00 à 24:00)".

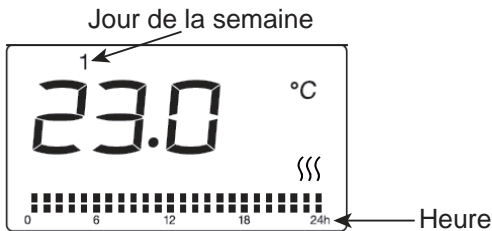
Sélectionner le jour (1 à 7) ou le mode de chauffage en appuyant sur les touches \wedge / \vee , puis appuyer sur la touche PRG.

Lorsque vous réglez le mode de chauffage des différentes plages horaires (00:00 à 24h00)", appuyer \wedge sur pour choisir l'heure, sur \vee pour choisir l'une des

fonctions: confort |||| , économique ||||| ou veille ||| . Après 30 secondes, le réglage sera confirmé automatiquement.

Par exemple: choisir jour 1, température de 23°C, Mode Confort pour 24 heures:

1. Appuyer sur la touche PRG, puis sur \wedge / \vee pour choisir jour 1.



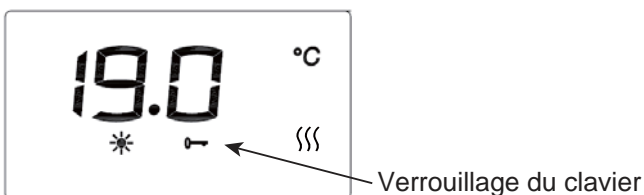
2. Appuyer sur la touche PRG à nouveau, appuyer sur \wedge pour choisir l'heure, sur \vee pour choisir Mode Confort puis répéter l'opération pour toutes les 24 heures.

3. Après 30 secondes sans action le réglage est enregistré.

Notes: En cas de coupure de courant, l'appareil conserve uniquement en mémoire les paramètres, température et mode du thermostat. Lors de la remise sous tension, l'horloge devra être de nouveau réglée afin de faire fonctionner les différents programmes correctement P1/P2/P3/Personnalisé.

V: Verrouillage du clavier


Appuyer sur M pendant 3 secondes pour activer la fonction de verrouillage du clavier $\text{0} \rightarrow$, Pour déverrouiller, appuyer sur M à nouveau pendant 3 secondes.



ATTENTION:

1. Le bouton de Veille  est encore disponible quand le verrouillage du clavier est activé.

2. Le clavier est déverrouillé si:

1) L'appareil est mis en veille en appuyant sur le bouton .

2) L'appareil est déconnecté du réseau d'alimentation.

Il faut appuyer à nouveau sur la touche M pendant trois secondes pour activer la fonction du verrouillage du clavier.

VI: La fonction détection automatique d'aération

Appuyez sur  pour entrer dans la fonction détection automatique d'aération.

L'appareil entre dans le mode de confort par défaut. L'appareil se positionne automatiquement en mode hors gel lors d'une chute soudaine de la température.

Dès que l'appareil détecte une augmentation de la température, il repasse automatiquement en mode confort.

Vous pouvez appuyer sur M ou PRG pour choisir les autres modes, ou appuyer sur le bouton Veille.

REMARQUE: Sous la fonction détection automatique d'aération, le mode fil pilote n'est pas disponible.

VII: rétro éclairage

Le rétro éclairage est automatiquement désactivé:

1. 60 secondes après le verrouillage du clavier

Le rétro éclairage se réactive une fois le système déverrouillé.

2. 60 secondes après la dernière utilisation des touches de la façade.

Le rétro éclairage se réactive après qu'une touche ait été enclenchée.

VIII: Validité des réglages

Tous les réglages ci-dessus pour la température, l'heure, la date de la semaine et les programmes restent valides tant que l'alimentation électrique n'est pas coupée.

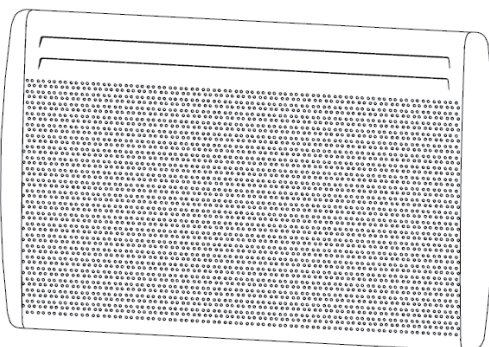
En cas de coupure de courant, l'appareil conserve uniquement en mémoire les paramètres, température et mode du thermostat. Lors de la remise sous tension, l'horloge devra être de nouveau réglée afin de faire fonctionner les différents programmes correctement P1/P2/P3/Personnalisé.

Verrouillez le clavier après avoir effectué vos réglages avant d'éviter que ceux-ci en soient malencontreusement désactivés par l'enclenchement d'une touche.



Et dans le détail...

Informations techniques et légales	18
Entretien et nettoyage	24
Garantie	25



Caractéristiques Techniques

Modèle / REF	Voltage & Fréquence	Puissance (Watt)	Dimension produit H x L x P (mm)	Classe	IP
HE10EPC	230V~50Hz	1000W	450x570x110	Double isolation CLASSE II	IPX4
HE15EPC	230V~50Hz	1500W	450x720x110	Double isolation CLASSE II	IPX4
HE20EPC	230V~50Hz	2000W	450x870x110	Double isolation CLASSE II	IPX4
HE5EPC	230V~50Hz	500W	450x400x110	Double isolation CLASSE II	IPX4
HE10PCS	230V~50Hz	1000W	283X790X110	Double isolation CLASSE II	IPX4

Informations applicables aux dispositifs de chauffage décentralisés électriques

Référence(s) du modèle:: HE10EPC					
Caractéristique	Symbole	Valeur	Unité	Caractéristique	Unité
Puissance thermique				Type d'apport de chaleur, pour les dispositifs de chauffage décentralisés électriques à accumulation uniquement	
Puissance thermique nominale	P_{nom}	0,6	kW	contrôle thermique manuel de la charge avec thermostat intégré	NA
Puissance thermique minimale (indicative)	P_{min}	0	kW	contrôle thermique manuel de la charge avec réception d'informations sur la température de la pièce et/ou extérieure	NA
Puissance thermique maximale continue	$P_{max,c}$	0,6	kW	contrôle thermique électronique de la charge avec réception d'informations sur la température de la pièce et/ou extérieure	NA
Consommation d'électricité auxiliaire				puissance thermique réglable par ventilateur	
À la puissance thermique nominale	$e_{l_{max}}$	NA	kW	Type de contrôle de la puissance thermique/ de la température de la pièce	
À la puissance thermique minimale	$e_{l_{min}}$	NA	kW	contrôle de la puissance thermique à un palier, pas de contrôle de la température de la pièce	[non]
En mode veille	$e_{l_{sb}}$	0	kW	contrôle à deux ou plusieurs paliers manuels, pas de contrôle de la température de la pièce	[non]
				contrôle de la température de la pièce avec thermostat mécanique	[non]
				contrôle électronique de la température de la pièce	[non]
				contrôle électronique de la température de la pièce et programmateur journalier	[non]
				contrôle électronique de la température de la pièce et programmateur hebdomadaire	[oui]
				Autres options de contrôle	
				contrôle de la température de la pièce, avec détecteur de présence	[non]
				contrôle de la température de la pièce, avec détecteur de fenêtre ouverte	[oui]
				option contrôle à distance	[non]
				contrôle adaptatif de l'activation	[non]
				limitation de la durée d'activation	[non]
				capteur à globe noir	[non]
Coordonnées de contact:		Fabricant Kingfisher International Products Limited 3 Sheldon Square, London W2 6PX, United Kingdom			

Informations applicables aux dispositifs de chauffage décentralisés électriques

Référence(s) du modèle:: HE15EPC					
Caractéristique	Symbole	Valeur	Unité	Caractéristique	Unité
Puissance thermique				Type d'apport de chaleur, pour les dispositifs de chauffage décentralisés électriques à accumulation uniquement	
Puissance thermique nominale	P_{nom}	0,9	kW	contrôle thermique manuel de la charge avec thermostat intégré	NA
Puissance thermique minimale (indicative)	P_{min}	0	kW	contrôle thermique manuel de la charge avec réception d'informations sur la température de la pièce et/ou extérieure	NA
Puissance thermique maximale continue	$P_{max,c}$	0,9	kW	contrôle thermique électronique de la charge avec réception d'informations sur la température de la pièce et/ou extérieure	NA
Consommation d'électricité auxiliaire				puissance thermique réglable par ventilateur	
À la puissance thermique nominale	$e_{l_{max}}$	NA	kW	Type de contrôle de la puissance thermique/ de la température de la pièce	
À la puissance thermique minimale	$e_{l_{min}}$	NA	kW	contrôle de la puissance thermique à un palier, pas de contrôle de la température de la pièce	[non]
En mode veille	$e_{l_{sb}}$	0	kW	contrôle à deux ou plusieurs paliers manuels, pas de contrôle de la température de la pièce	[non]
				contrôle de la température de la pièce avec thermostat mécanique	[non]
				contrôle électronique de la température de la pièce	[non]
				contrôle électronique de la température de la pièce et programmateur journalier	[non]
				contrôle électronique de la température de la pièce et programmateur hebdomadaire	[oui]
				Autres options de contrôle	
				contrôle de la température de la pièce, avec détecteur de présence	[non]
				contrôle de la température de la pièce, avec détecteur de fenêtre ouverte	[oui]
				option contrôle à distance	[non]
				contrôle adaptatif de l'activation	[non]
				limitation de la durée d'activation	[non]
				capteur à globe noir	[non]
Coordonnées de contact:	Fabricant Kingfisher International Products Limited 3 Sheldon Square, London W2 6PX, United Kingdom				

Informations applicables aux dispositifs de chauffage décentralisés électriques

Référence(s) du modèle:: HE20EPC					
Caractéristique	Symbole	Valeur	Unité	Caractéristique	Unité
Puissance thermique				Type d'apport de chaleur, pour les dispositifs de chauffage décentralisés électriques à accumulation uniquement	
Puissance thermique nominale	P_{nom}	1,2	kW	contrôle thermique manuel de la charge avec thermostat intégré	NA
Puissance thermique minimale (indicative)	P_{min}	0	kW	contrôle thermique manuel de la charge avec réception d'informations sur la température de la pièce et/ou extérieure	NA
Puissance thermique maximale continue	$P_{max,c}$	1,2	kW	contrôle thermique électronique de la charge avec réception d'informations sur la température de la pièce et/ou extérieure	NA
Consommation d'électricité auxiliaire				puissance thermique réglable par ventilateur	
À la puissance thermique nominale	$e_{l_{max}}$	NA	kW	Type de contrôle de la puissance thermique/ de la température de la pièce	
À la puissance thermique minimale	$e_{l_{min}}$	NA	kW	contrôle de la puissance thermique à un palier, pas de contrôle de la température de la pièce	[non]
En mode veille	$e_{l_{sb}}$	0	kW	contrôle à deux ou plusieurs paliers manuels, pas de contrôle de la température de la pièce	[non]
				contrôle de la température de la pièce avec thermostat mécanique	[non]
				contrôle électronique de la température de la pièce	[non]
				contrôle électronique de la température de la pièce et programmeur journalier	[non]
				contrôle électronique de la température de la pièce et programmeur hebdomadaire	[oui]
				Autres options de contrôle	
				contrôle de la température de la pièce, avec détecteur de présence	[non]
				contrôle de la température de la pièce, avec détecteur de fenêtre ouverte	[oui]
				option contrôle à distance	[non]
				contrôle adaptatif de l'activation	[non]
				limitation de la durée d'activation	[non]
				capteur à globe noir	[non]
Coordonnées de contact:		Fabricant Kingfisher International Products Limited 3 Sheldon Square, London W2 6PX, United Kingdom			

Informations applicables aux dispositifs de chauffage décentralisés électriques

Référence(s) du modèle:: HE5EPC			
Caractéristique	Symbole	Valeur	Unité
Puissance thermique			
Type d'apport de chaleur, pour les dispositifs de chauffage décentralisés électriques à accumulation uniquement			
Puissance thermique nominale	P_{nom}	0,3	kW
Puissance thermique minimale (indicative)	P_{min}	0	kW
Puissance thermique maximale continue	$P_{max,c}$	0,3	kW
Consommation d'électricité auxiliaire			
À la puissance thermique nominale	$e_{l_{max}}$	NA	kW
À la puissance thermique minimale	$e_{l_{min}}$	NA	kW
En mode veille	$e_{l_{sb}}$	0	kW
Autres options de contrôle			
contrôle thermique manuel de la charge avec thermostat intégré			
contrôle thermique manuel de la charge avec réception d'informations sur la température de la pièce et/ou extérieure			
contrôle thermique électronique de la charge avec réception d'informations sur la température de la pièce et/ou extérieure			
puissance thermique réglable par ventilateur			
Type de contrôle de la puissance thermique/ de la température de la pièce			
contrôle de la puissance thermique à un palier, pas de contrôle de la température de la pièce			
contrôle à deux ou plusieurs paliers manuels, pas de contrôle de la température de la pièce			
contrôle de la température de la pièce avec thermostat mécanique			
contrôle électronique de la température de la pièce			
contrôle électronique de la température de la pièce et programmeur journalier			
contrôle électronique de la température de la pièce et programmeur hebdomadaire			
contrôle de la température de la pièce, avec détecteur de présence			
contrôle de la température de la pièce, avec détecteur de fenêtre ouverte			
option contrôle à distance			
contrôle adaptatif de l'activation			
limitation de la durée d'activation			
capteur à globe noir			
Coordonnées de contact:	Fabricant Kingfisher International Products Limited 3 Sheldon Square, London W2 6PX, United Kingdom		

Informations applicables aux dispositifs de chauffage décentralisés électriques

Référence(s) du modèle:: HE10PCS				
Caractéristique	Symbole	Valeur	Unité	
Puissance thermique				
Type d'apport de chaleur, pour les dispositifs de chauffage décentralisés électriques à accumulation uniquement				
Puissance thermique nominale	P_{nom}	0,6	kW	
contrôle thermique manuel de la charge avec thermostat intégré				NA
Puissance thermique minimale (indicative)	P_{min}	0	kW	
contrôle thermique manuel de la charge avec réception d'informations sur la température de la pièce et/ou extérieure				NA
Puissance thermique maximale continue	$P_{max,c}$	0,6	kW	
contrôle thermique électronique de la charge avec réception d'informations sur la température de la pièce et/ou extérieure				NA
Consommation d'électricité auxiliaire				
puissance thermique réglable par ventilateur				NA
À la puissance thermique nominale	$e_{l_{max}}$	NA	kW	
Type de contrôle de la puissance thermique/ de la température de la pièce				
À la puissance thermique minimale	$e_{l_{min}}$	NA	kW	
contrôle de la puissance thermique à un palier, pas de contrôle de la température de la pièce				[non]
En mode veille	$e_{l_{sb}}$	0	kW	
contrôle à deux ou plusieurs paliers manuels, pas de contrôle de la température de la pièce				[non]
contrôle de la température de la pièce avec thermostat mécanique				[non]
contrôle électronique de la température de la pièce				[non]
contrôle électronique de la température de la pièce et programmeur journalier				[non]
contrôle électronique de la température de la pièce et programmeur hebdomadaire				[oui]
Autres options de contrôle				
contrôle de la température de la pièce, avec détecteur de présence				[non]
contrôle de la température de la pièce, avec détecteur de fenêtre ouverte				[oui]
option contrôle à distance				[non]
contrôle adaptatif de l'activation				[non]
limitation de la durée d'activation				[non]
capteur à globe noir				[non]
Coordonnées de contact:	Fabricant Kingfisher International Products Limited 3 Sheldon Square, London W2 6PX, United Kingdom			

ENTRETIEN ET NETTOYAGE

1. Avant de nettoyer l'appareil, coupez son alimentation et attendez qu'il soit complètement refroidi.
2. Utilisez un chiffon humide pour nettoyer la coque de l'appareil.
3. Nettoyez les grilles d'entrée et sortie d'air régulièrement.
4. N'utilisez pas d'eau, de détergents abrasifs liquides ou des agents chimiques (alcool, essence, etc.) pour nettoyer l'appareil.
5. Afin de prévenir un noircissement prématuré du mur sur lequel le radiateur va être installé, nous déconseillons d'utiliser le radiateur sur un mur recouvert de papier peint. La fréquence du nettoyage permettra de limiter le noircissement du mur.

PROTECTION DE L'ENVIRONNEMENT

Ce produit est marqué du symbole du tri sélectif relatif aux déchets d'équipements électriques et électroniques. Cela signifie que ce produit ne doit pas être mis au rebut avec les déchets ménagers mais doit être pris en charge par un système de collecte sélective conformément à la directive européenne 2012/19/UE. Il sera ensuite soit recyclé soit démantelé afin de réduire les impacts sur l'environnement, les produits électriques et électroniques étant potentiellement dangereux pour l'environnement et la santé humaine en raison de la présence de substances dangereuses. Pour plus de renseignements, vous pouvez contacter votre administration locale ou régionale.



Les instructions ci-dessus sont fournies EXCLUSIVEMENT POUR UN USAGE EN FRANCE

yyWxx: définit la date de fabrication; l'année de fabrication (yy) et la semaine de fabrication (Wxx)

GARANTIE

Ce produit bénéficie d'une garantie de 2 ans à partir de la date d'achat. La garantie couvre les pannes et dysfonctionnements de l'appareil dans le cadre d'une utilisation conforme à la destination du produit et aux informations du manuel d'utilisation.

Pour être pris en charge au titre de la garantie, la preuve d'achat est obligatoire (ticket de caisse ou facture) et le produit doit être complet avec l'ensemble de ses accessoires.

La clause de garantie ne couvre pas des détériorations provenant d'une usure normale, d'un manque d'entretien, d'une négligence, d'un montage défectueux, ou d'une utilisation inappropriée (chocs, non respect des préconisations d'alimentation électrique, stockage, conditions d'utilisation...). Sont également exclues de la garantie les conséquences néfastes dues à l'emploi d'accessoires ou de pièces de rechange non d'origine, ou non adaptées, au démontage ou à la modification de l'appareil.

Brico Dépôt et Castorama restent tenues des défauts de conformité du bien au contrat et des vices rédhibitoires dans les conditions prévues aux articles 1641 à 1649 du Code civil.



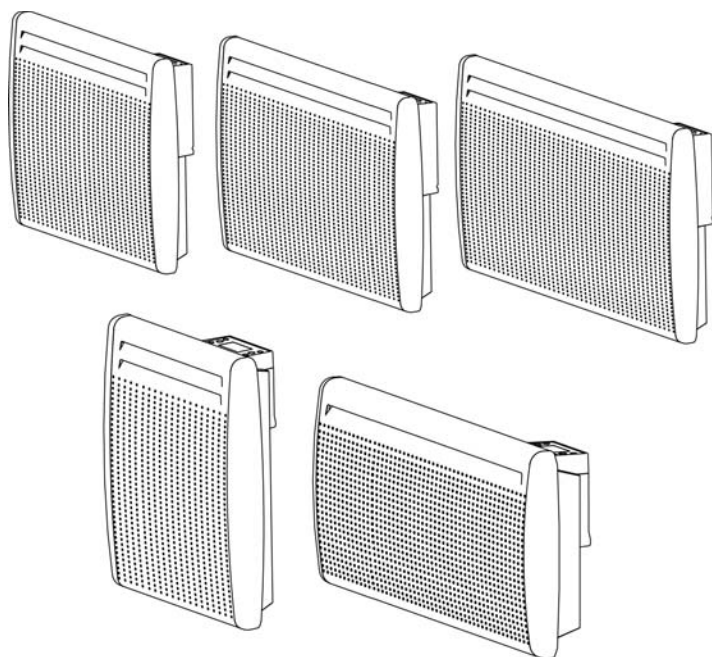
Fabricant: Kingfisher International Products Limited
3 Sheldon Square
London W2 6PX
United Kingdom



Distributeur:Castorama France
C.S. 50101 Templemars
59637 Wattignies CEDEX
www.castorama.fr

Distributeur:BRICO DÉPÔT
30-32 rue de la Tourelle
91310 Longpont-sur-Orge
France
www.bricodepot.com

PANELOWY GRZEJNIK PROMIENNIKOWY



NE10EPC 840-1000W 3663602912941
NE15EPC 1250-1500W 3663602912958
NE20EPC 1680-2000W 3663602912965
NE5EPC 420-500W 3663602688549
NE10PCS 840-1000W 3663602688570

Pierwsze kroki...

Instrukcje zawarte w podręczniku mają na celu zapewnić bezpieczeństwo użytkownika. Należy je dokładnie przeczytać przed uruchomieniem urządzenia oraz zachować, aby móc z nich skorzystać w przyszłości.



Pierwsze kroki ... 02

Bezpieczeństwo	03
Czynności przed użytkowaniem	06
Skrócona instrukcja obsługi	11




Informacje szczegółowe... 17

Informacje techniczne	18
Konserwacja i czyszczenie	24
Ochrona środowiska	25

DOKŁADNIE PRZECZYTAĆ NINIEJSZĄ INSTRUKCJĘ PRZED UŻYCIEM URZĄDZENIA.

- **Urządzenia może być użytkowane przez dzieci powyżej 8 roku życia i osoby o ograniczonej sprawności fizycznej, sensorycznej lub umysłowej, bądź o niedostatecznym doświadczeniu i wiedzy jedynie pod nadzorem lub po przeszkoleniu w zakresie bezpiecznej obsługi i zagrożeń. Dzieciom nie wolno bawić się w pobliżu urządzenia. Czyszczenie i konserwacja urządzenia dzieci mogą przeprowadzać wyłącznie pod nadzorem osoby dorosłej.**
- **Dzieci w wieku poniżej 3 lat muszą być pod stałym nadzorowane.**
- **Dzieci w wieku od 3 lat, a poniżej 8 lat mogą jedynie włączyć/wyłączyć urządzenie pod warunkiem, że zostało umieszczone lub zainstalowane w sposób prawidłowy oraz pod nadzorem lub po przeszkoleniu w zakresie bezpiecznej obsługi i zagrożeń.**
- **Dzieci w wieku od 3 lat, a poniżej 8 lat nie mogą podłączać, regulować i czyścić lub konserwować urządzenia.**
- **UWAGA! - Niektóre części tego urządzenia mogą być bardzo gorące i mogą spowodować poparzenia. Szczególną uwagę należy**

zwrócić, w obecności dzieci i osób wrażliwych.

- W przypadku uszkodzonego kabla zasilającego, w celu uniknięcia zagrożenia, musi on zostać wymieniony przez producenta, punkt serwisowy lub osobę o podobnych kwalifikacjach.
- Urządzenia nie należy ustawiać bezpośrednio pod gniazdkiem.
-  **OSTRZEŻENIE:** Aby uniknąć przegrzania, nie należy przykrywać ogrzewacza.
- Nie używać nagrzewnicy z programatorem czasowym, zewnętrznym systemem kontroli zdalnej lub jakimkolwiek innym urządzeniem, które włącza grzejnik automatycznie, ponieważ może to doprowadzić do pożaru, jeśli grzejnik będzie przykryty lub umieszczony w nieprawidłowym położeniu.
- **OSTROŻNIE:** Aby uniknąć zagrożeń spowodowanych nieumyślnym zresetowaniem zabezpieczenia termicznego, urządzenie nie powinno być zasilane za pośrednictwem zewnętrznego urządzenia przełączającego takiego jak np. regulator czasowy ani nie powinno być podłączone do obwodu, który jest regularnie włączany i wyłączany przez dostawcę energii elektrycznej.
- Tego grzejnika nie wolno wyrzucać do

zwykłych odpadów komunalnych (zmieszanych); należy go oddać do najbliższego punktu utylizacji i recyklingu urządzeń elektrycznych.

- **Grzejnik należy instalować tak, aby przełączniki urządzenia znajdowały się poza zasięgiem osób znajdujących się w wannie lub pod prysznicem.**
- **W przypadku montażu w łazience, instalacja musi być zabezpieczona wyłącznikiem różnicowoprądowym 30 mA.**
- **Szczegółowe informacje dotyczące instalacji urządzenia na ścianie podano w części “INSTALACJA” na stronach 7-10.**

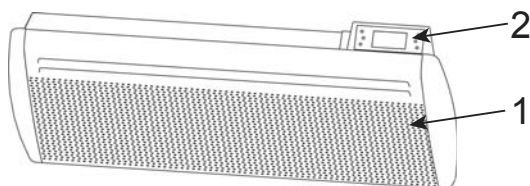
Uwaga: Poniższy rysunek ma charakter wyłącznie orientacyjny. W celu uzyskania pomocy zalecamy skontaktowanie się z zawodowym elektrykiem.

Co należy sprawdzić przed rozpoczęciem pracy?

- ✓ Urządzenie wyłącznie do użytku domowego.
- ✓ Niniejszego urządzenia nie mogą używać dzieci lub osoby niepełnosprawne bez nadzoru.
- ✓ Należy pozbyć się wszystkich toreb polietylenowych i opakowania oraz trzymać je z dala od dzieci.

Twój produkt

1. Obudowa
2. Panel sterujący
3. Zestaw do montażu na ścianie





NE10EPC/NE15EPC /NE20EPC NE10PCS



NE5EPC



3

Opis	Rysunek	ILOŚĆ		
		NE10EPC /NE15EPC /NE20EPC	NE5EPC	NE10PCS
Śruba		4	3	2
Kolek rozporowy		4	3	2

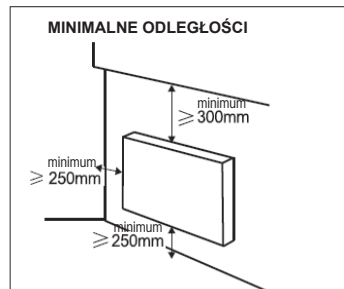
INSTALACJA URZĄDZENIA

- Urządzenie jest przeznaczone wyłącznie do użytku w pomieszczeniach.
- Należy przestrzegać minimalnych odległości pokazanych na rys. 1.
- W miejscach takich jak łazienka, pralnia lub

kuchnia, w których podłoga może być mokra, urządzenie należy instalować co najmniej 250 mm powyżej poziomu podłogi.

- Urządzenia nie należy instalować w miejscach, w których strumień powietrza mógłby zakłócać regulację (np. pod klimatyzatorem).

Ostrożnie: Instalację urządzenia należy zlecić profesjonalnemu instalatorowi; instalacja musi zostać przeprowadzona zgodnie z normami obowiązującymi w danym kraju (norma NF C 15 100 we Francji lub jej odpowiedniki w innych krajach).



RYS.1

INSTALACJA

Aby zawiesić grzejnik na ścianie, należy:

1. Wybrać miejsce odpowiednie do zainstalowania grzejnika (rysunek 1).
2. Zdemontować wspornik ścienny – odkręcić śrubę (nie wyjmować jej, wystarczy ją tylko poluzować) i wysunąć metalową płytkę z otworu. Wyjąć wspornik – pociągnąć go w dół (rysunek 2).
3. Sprawdzić poziomą, czy wspornik jest ustawiony idealnie poziomo i zaznaczyć położenie otworów na ścianie (4 otwory w przypadku modeli NE10EPC/

NE15EPC/NE20EPC, 3 otwory w przypadku modelu NE5EPC, 2 otwory w przypadku modelu NE10PCS). Włożyć w otwory kołki rozporowe i mocno dokręcić do ściany wspornik ścienny (rysunek 3).

4. Przyłożyć grzejnik do wspornika (rysunek 4):

A: Dopasować grzejnik do zaczepów dolnych skierowanych w dół.

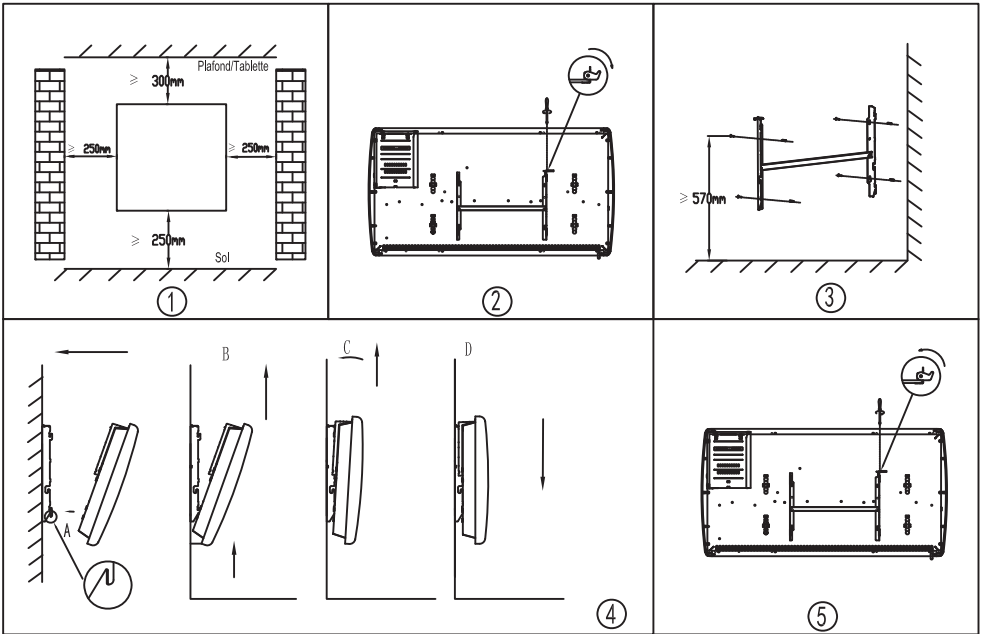
B: Pociągnąć grzejnik do góry, jednocześnie przytrzymywać zaczepy dolne.

C: Dopasować grzejnik do zaczepów górnych skierowanych w górę.

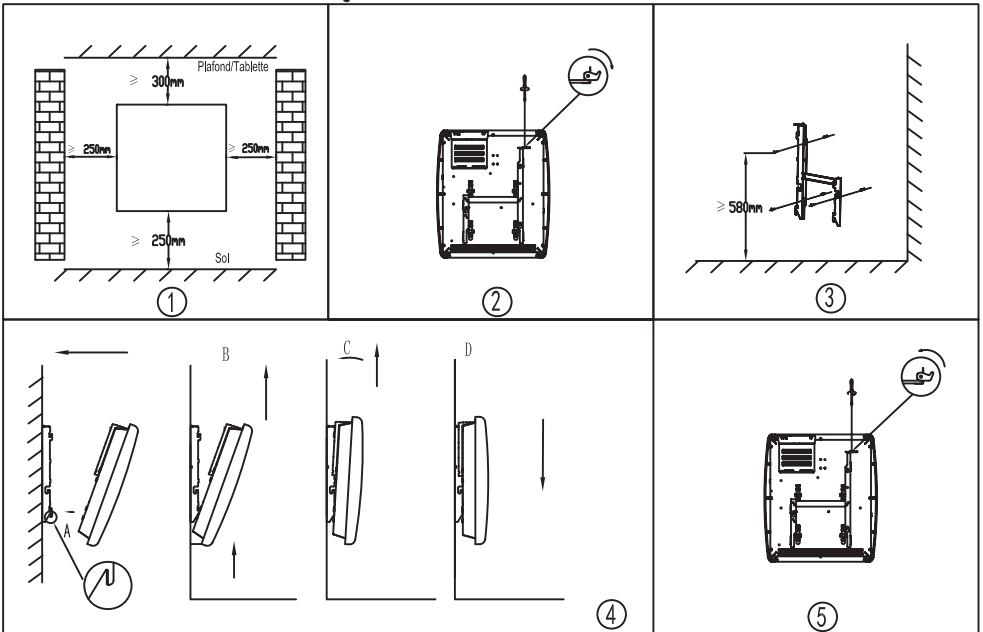
D: Pociągnąć grzejnik w dół.

5. Wsunąć metalową płytkę w otwór i dokręcić śrubę, aby zablokować wspornik montażowy (rysunek 5).

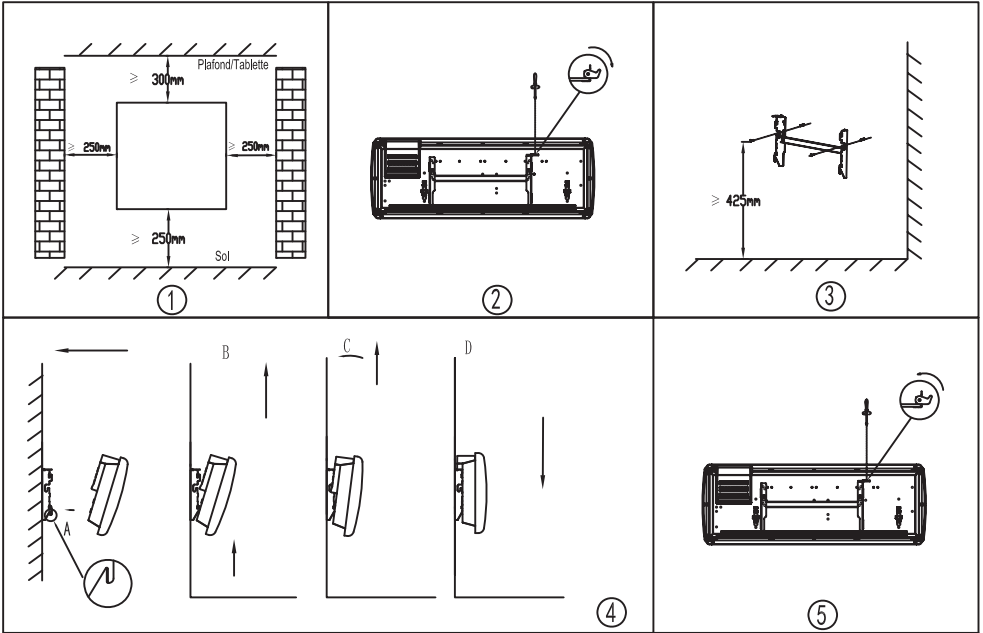
ELEMENTY MOCUJĄCE DO MODELU NE10EPC/NE15EPC/NE20EPC



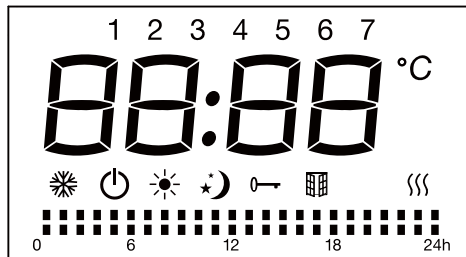
ELEMENTY MOCUJĄCE DO MODELU NE5EPC








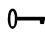

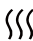

ELEMENTY MOCUJĄCE DO MODELU NE10PCS






Wyświetlacz LCD:



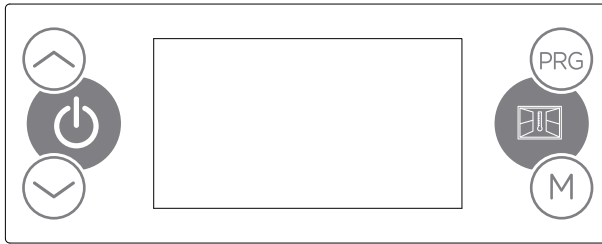
Funkcje ikon na wyświetlaczu LCD:

Symbol	Funkcja
	Tryb Gotowość (urządzenie nie pracuje, ale zasilanie jest włączone)
	Tryb Zabezpieczenie przed mrozem (urządzenie utrzymuje temperaturę ok. 7°C)
	Tryb Komfort (ustawianie żądanej temperatury)
	Tryb ECO (ECO utrzymuje temperaturę o 3,5°C niższą niż temperatura komfortu. Tryb ten obniża temperaturę bez zakłócania żądanej temperatury w trybie komfortu)
	Tryb P (w trybie P urządzenie będzie domyślnie pracowało w trybie komfortu (z wyjątkiem Francji))
	Blokada klawiszy
	Funkcja wykrywania okien
	Wskaźnik nagrzewania (ikona ta będzie wyświetlana na ekranie podczas nagrzewania się urządzenia. Ikona zniknie, gdy wykrywana temperatura będzie równa temperaturze nastawionej.)
	Temperatura (stopnie Celsjusza)

Tygodniowe tryby spersonalizowane:

-  Tryb Komfort włączony
-  Tryb ECO włączony
-  Gotowość

PANEL STERUJĄCY



Symbol	Funkcja
Przycisk dotykowy ^ / v	Nastawianie czasu, dnia tygodnia, temperatury lub w tygodniowych trybach spersonalizowanych wybór między trybami Komfort, Eco i Gotowość.
Przycisk dotykowy	Gotowość
Przycisk dotykowy PRG	Wybór tygodniowego trybu spersonalizowanego
Przycisk dotykowy	Funkcja wykrywania okien
Przycisk dotykowy M	Wybór trybu pracy komfort / Eco / zabezpieczenie przed mrozem / P1 / P2 / P3 / P

UŻYTKOWANIE

Przy pierwszym użyciu maszyny pojawi się lekki zapach. Zapach ten zniknie po jednej godzinie pracy grzejnika.

I. Ustawianie trybu

1. Przy pierwszym użyciu urządzenia, po podłączeniu zasilania i nastawieniu zegara, urządzenie włączy się w trybie gotowości; aby przełączyć je na tryb komfortu, wystarczy nacisnąć przycisk Gotowość.

Uwagi: W przypadku awarii zasilania, urządzenie przechowuje w pamięci tylko parametry, temperaturę i tryb działania. Po przywróceniu zasilania, w celu prawidłowego korzystania z programów P1/ P2/ P3/ Spersonalizowany konieczne jest ponowne nastawienie zegara.

2. Przycisk M umożliwia przełączanie między trybami: Komfort ☀️, Eco ☆) Zabezpieczenie przed mrozem ❄️ P1/P2/P3/P. w trybie P urządzenie będzie domyślnie pracowało w trybie komfortu (z wyjątkiem Francji).



II. Ustawianie temperatury

1. W trybie Komfort lub Eco (ale nie w trybie Zabezpieczenie przed mrozem), należy przyciskami \wedge i \vee wybrać żądaną temperaturę. Różnica temperatur między trybami ECO i Komfort wynosi $3,5^{\circ}\text{C}$, stąd temperatura w trybie ECO mieści się w przedziale od $1,5^{\circ}\text{C}$ do $25,5^{\circ}\text{C}$.
2. Dokończyć konfigurowanie pozostałymi przyciskami (innymi niż \wedge / \vee) lub odczekać, aż po 5 sekundach urządzenie automatycznie zapisze ustawienia. Gdy temperatura pomieszczenia przewyższy wybraną temperaturę, grzejnik przestanie grzać.



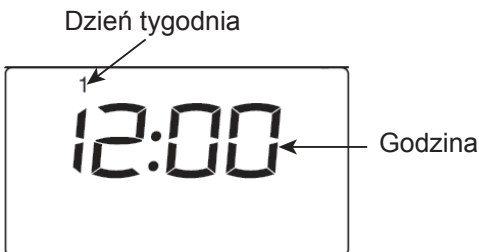
III. Ustawianie godziny

Uwaga:

Aby nastawić godzinę/minutę/tydzień, należy nacisnąć przycisk \wedge .

Godzina i dzień tygodnia pozostają takie jak ustawiono do momentu odłączenia zasilania. Ustawienia „Dzień tygodnia” i „Godzina” dotyczą wszystkich programów (patrz część IV, P1 / P2 / P3 / Spersonalizowany).

1. Aby rozpocząć nastawianie godziny, należy jednocześnie nacisnąć przyciski \wedge i \vee .
2. Aby przełączyć między opcjami godzina/minuta/tydzień i kontynuować, nacisnąć przycisk \wedge .
3. Nacisnąć przycisk \vee , aby nastawić godzinę/minutę/tydzień.

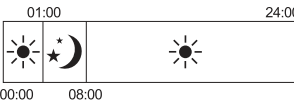
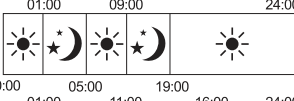
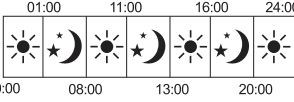
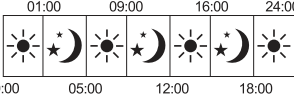
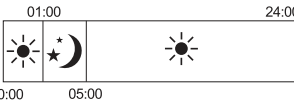


Wybór	Wyświetlana ikona
Poniedziałek	1
Wtorek	2
Środa	3
Czwartek	4
Piątek	5
Sobota	6
Niedziela	7
Godzina	00-23
Minuta	00-59

4. Dokończyć konfigurowanie pozostałymi przyciskami (innymi niż \wedge/\vee) lub odczekać, aż po 10 sekundach urządzenie automatycznie zapisze ustawienia.

IV. Ustawianie programu

1. Programy preinstalowane P1/P2/P3

P1	Mon-Sun 
P2	day workables  weekends 
P3	day workables  weekends 




Programy P1 / P2 / P3 zostały zainstalowane fabrycznie. Po potwierdzeniu programu, ikona programu i nastawiona temperatura zostają pokazane na wyświetlaczu.

2. Nastawianie programu spersonalizowanego

Aby wybrać między opcjami należy nacisnąć przycisk PRG „dzień (1-7)” i „tryb grzania w różnych okresach (00:00-24:00)”.

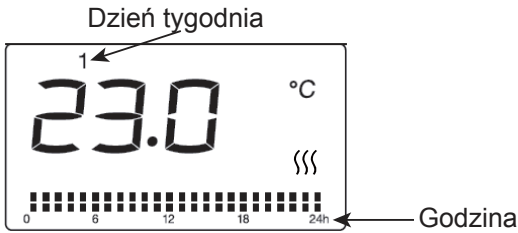
Przyciskami \wedge/\vee należy wybrać żądany dzień (1-7) lub tryb grzania.

Podczas ustawiania opcji „tryb grzania w różnych okresach (00:00-24:00)”, należy nacisnąć przycisk \wedge , aby wybrać godziny oraz przycisk \vee , aby wybrać funkcję

spośród następujących możliwości: komfort , ekonomiczny  i gotowość . Po 30 sekundach konfigurowanie zostanie automatycznie zakończone.

Na przykład: aby wybrać dzień 1, temperaturę 23°C i tryb Komfort na 24 godziny, należy:

1. Nacisnąć przycisk PRG, a potem \wedge/\vee , aby wybrać dzień 1.



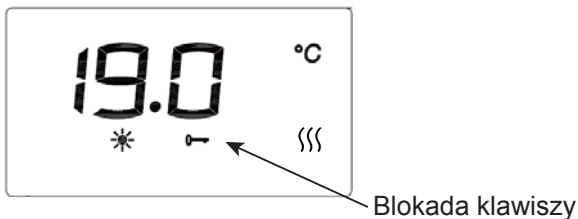
2. Nacisnąć przycisk PRG ponownie, nacisnąć przycisk \wedge , aby wybrać godzinę, przycisk \vee , aby wybrać tryb Komfort oraz powtórzyć wszystko dla całych 24 godzin.

3. Po 30 sekundach braku jakichkolwiek działań ustawienie zostaje zapisane.

Uwagi: W przypadku awarii zasilania, urządzenie przechowuje w pamięci tylko parametry, temperaturę i tryb działania. Po przywróceniu zasilania, w celu prawidłowego korzystania z programów P1/ P2/ P3/ Spersonalizowany konieczne jest ponowne nastawienie zegara.

V: Blokada klawiszy

Aby włączyć blokadę klawiszy $\text{0} \rightarrow$, należy nacisnąć przycisk M i przytrzymać go przez 3 sekundy.



Uwagi:


1. Funkcja blokada klawiszy nie blokuje przycisku gotowości ⏻ .
 2. W następujących okolicznościach funkcja blokada klawiszy automatycznie przestaje działać.

1) Urządzenie zostaje wyłączone przyciskiem gotowości ⏻ .

2) Urządzenie zostaje odłączone od zasilania.

Jeśli funkcja będzie znowu potrzebna, należy ją ponownie ustawić i w tym celu nacisnąć przycisk M i przytrzymać go przez 3 sekundy.

VI: Funkcja wykrywania okien

Aby  przejść do funkcji wykrywania okien, należy nacisnąć przycisk. Domyślnie urządzenie przejdzie w tryb komfortu. Jeśli zostanie wykryty spadek temperatury, urządzenie automatycznie przejdzie w tryb zapobiegania zamarzaniu. Jeśli temperatura podniesie się, urządzenie wróci do trybu komfortu.

Naciśnięcie przycisku M lub PRG pozwala wybrać inne tryby, naciśnięcie przycisku gotowości przełącza urządzenie w tryb gotowości.

UWAGI: W trybie funkcji wykrywania okien, sterowanie pilotem jest niedostępne.

VI: Podświetlenie

Podświetlenie zostaje automatycznie wyłączone:

1. 60 sekund po włączeniu blokady klawiszy

Podświetlenie zostaje ponownie włączone z chwilą odblokowania systemu.

2. 60 sekund po ostatnim użyciu klawiszy na panelu przednim.

Podświetlenie zostaje ponownie włączone po naciśnięciu dowolnego klawisza.

VII: Ważność ustawień

Wszystkie powyższe ustawienia temperatury, godziny, dnia tygodnia i programu pozostają w mocy aż do wyłączenia zasilania

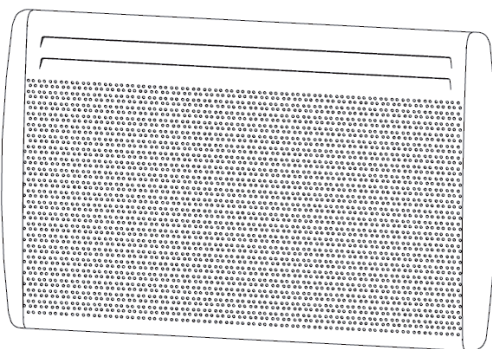
W przypadku awarii zasilania, urządzenie zachowuje w pamięci tylko parametry, temperaturę i tryb działania. Po przywróceniu zasilania, w celu prawidłowego korzystania z programów P1/ P2/ P3/ Spersonalizowany musi zostać konieczne nastawiony zegar.

Po dokonaniu wyboru ustawień, klawisze należy zablokować, tak aby uniknąć przypadkowego wyłączenia lub przestawienia którejś z funkcji.



Informacje szczegółowe...

Informacje techniczne	18
Konserwacja i czyszczenie	24
Ochrona środowiska	25



Dane techniczne

Model nr	Napięcie i częstotliwość	Moc (waty)	Wymiary produktu: wys. x szer. x gł. (mm)	Klasa	IP
NE10EPC	220-240V~ 50/60Hz	840-1000W	450x570x110	Podwójna izolacja KLASA II	IPX4
NE15EPC	220-240V~ 50/60Hz	1250-1500W	450x720x110	Podwójna izolacja KLASA II	IPX4
NE20EPC	220-240V~ 50/60Hz	1680-2000W	450x870x110	Podwójna izolacja KLASA II	IPX4
NE5EPC	220-240V~ 50/60Hz	420-500W	450x400x110	Podwójna izolacja KLASA II	IPX4
NE10PCS	220-240V~ 50/60Hz	840-1000W	283x790x110	Podwójna izolacja KLASA II	IPX4

Wymogi w zakresie informacji dotyczące elektrycznych miejscowych ogrzewaczy pomieszczeń

Identyfikator(-y) modelu: NE10EPC					
Parametr	Oznaczenie	Wartość	Jednostka	Parametr	Jednostka
Moc cieplna				Sposób doprowadzania ciepła wyłącznie w przypadku elektrycznych akumulacyjnych miejscowych ogrzewaczy pomieszczeń (należy wybrać jedną opcję)	
Nominalna moc cieplna	P_{nom}	0,5	kW	ręczny regulator doprowadzania ciepła z wbudowanym termostatem	ND.
Minimalna moc cieplna (orientacyjna)	P_{min}	0	kW	ręczny regulator doprowadzania ciepła z pomiarem temperatury w pomieszczeniu lub na zewnątrz	ND.
Maksymalna stała moc cieplna	$P_{max,c}$	0,5	kW	elektroniczny regulator doprowadzania ciepła z pomiarem temperatury w pomieszczeniu lub na zewnątrz	ND.
Zużycie energii elektrycznej na potrzeby własne				moc cieplna regulowana wentylatorem	ND.
Przy nominalnej mocy cieplnej	el_{max}	ND.	kW	Rodzaj mocy cieplnej/regulacja temperatury w pomieszczeniu (należy wybrać jedną opcję)	
Przy minimalnej mocy cieplnej	el_{min}	ND.	kW	jednostopniowa moc cieplna bez regulacji temperatury w pomieszczeniu	[nie]
W trybie czuwania	el_{SB}	0	kW	co najmniej dwa ręczne stopnie bez regulacji temperatury w pomieszczeniu	[nie]
				mechaniczna regulacja temperatury w pomieszczeniu za pomocą termostatu	[nie]
				elektroniczna regulacja temperatury w pomieszczeniu	[nie]
				elektroniczna regulacja temperatury w pomieszczeniu ze sterownikiem dobowym	[nie]
				elektroniczna regulacja temperatury w pomieszczeniu ze sterownikiem tygodniowym	[tak]
				Inne opcje regulacji (można wybrać kilka)	
				regulacja temperatury w pomieszczeniu z wykrywaniem obecności	[nie]
				regulacja temperatury w pomieszczeniu z wykrywaniem otwartego okna	[tak]
				z regulacją na odległość	[nie]
				z adaptacyjną regulacją startu	[nie]
				z ograniczeniem czasu pracy	[nie]
				z czujnikiem ciepła promieniowania	[nie]
Dane teleadresowe	Kingfisher International Products Limited 3 Sheldon Square, London W2 6PX, United Kingdom				

Wymogi w zakresie informacji dotyczące elektrycznych miejscowych ogrzewaczy pomieszczeń

Identyfikator(-y) modelu: NE15EPC					
Parametr	Oznaczenie	Wartość	Jednostka	Parametr	Jednostka
Moc cieplna				Sposób doprowadzania ciepła wyłącznie w przypadku elektrycznych akumulacyjnych miejscowych ogrzewaczy pomieszczeń (należy wybrać jedną opcję)	
Nominalna moc cieplna	P_{nom}	0,8	kW	ręczny regulator doprowadzania ciepła z wbudowanym termostatem	ND.
Minimalna moc cieplna (orientacyjna)	P_{min}	0	kW	ręczny regulator doprowadzania ciepła z pomiarem temperatury w pomieszczeniu lub na zewnątrz	ND.
Maksymalna stała moc cieplna	$P_{max,c}$	0,8	kW	elektroniczny regulator doprowadzania ciepła z pomiarem temperatury w pomieszczeniu lub na zewnątrz	ND.
Zużycie energii elektrycznej na potrzeby własne				moc cieplna regulowana wentylatorem	ND.
Przy nominalnej mocy cieplnej	el_{max}	ND.	kW	Rodzaj mocy cieplnej/regulacja temperatury w pomieszczeniu (należy wybrać jedną opcję)	
Przy minimalnej mocy cieplnej	el_{min}	ND.	kW	jednostopniowa moc cieplna bez regulacji temperatury w pomieszczeniu	[nie]
W trybie czuwania	el_{SB}	0	kW	co najmniej dwa ręczne stopnie bez regulacji temperatury w pomieszczeniu	[nie]
				mechaniczna regulacja temperatury w pomieszczeniu za pomocą termostatu	[nie]
				elektroniczna regulacja temperatury w pomieszczeniu	[nie]
				elektroniczna regulacja temperatury w pomieszczeniu ze sterownikiem dobowym	[nie]
				elektroniczna regulacja temperatury w pomieszczeniu ze sterownikiem tygodniowym	[tak]
				Inne opcje regulacji (można wybrać kilka)	
				regulacja temperatury w pomieszczeniu z wykrywaniem obecności	[nie]
				regulacja temperatury w pomieszczeniu z wykrywaniem otwartego okna	[tak]
				z regulacją na odległość	[nie]
				z adaptacyjną regulacją startu	[nie]
				z ograniczeniem czasu pracy	[nie]
				z czujnikiem ciepła promieniowania	[nie]
Dane teleadresowe	Kingfisher International Products Limited 3 Sheldon Square, London W2 6PX, United Kingdom				

Wymogi w zakresie informacji dotyczące elektrycznych miejscowych ogrzewaczy pomieszczeń

Identyfikator(-y) modelu: NE20EPC					
Parametr	Oznaczenie	Wartość	Jednostka	Parametr	Jednostka
Moc cieplna				Sposób doprowadzania ciepła wyłącznie w przypadku elektrycznych akumulacyjnych miejscowych ogrzewaczy pomieszczeń (należy wybrać jedną opcję)	
Nominalna moc cieplna	P_{nom}	1,1	kW	ręczny regulator doprowadzania ciepła z wbudowanym termostatem	ND.
Minimalna moc cieplna (orientacyjna)	P_{min}	0	kW	ręczny regulator doprowadzania ciepła z pomiarem temperatury w pomieszczeniu lub na zewnątrz	ND.
Maksymalna stała moc cieplna	$P_{max,c}$	1,1	kW	elektroniczny regulator doprowadzania ciepła z pomiarem temperatury w pomieszczeniu lub na zewnątrz	ND.
Zużycie energii elektrycznej na potrzeby własne				moc cieplna regulowana wentylatorem	ND.
Przy nominalnej mocy cieplnej	el_{max}	ND.	kW	Rodzaj mocy cieplnej/regulacja temperatury w pomieszczeniu (należy wybrać jedną opcję)	
Przy minimalnej mocy cieplnej	el_{min}	ND.	kW	jednostopniowa moc cieplna bez regulacji temperatury w pomieszczeniu	[nie]
W trybie czuwania	el_{SB}	0	kW	co najmniej dwa ręczne stopnie bez regulacji temperatury w pomieszczeniu	[nie]
				mechaniczna regulacja temperatury w pomieszczeniu za pomocą termostatu	[nie]
				elektroniczna regulacja temperatury w pomieszczeniu	[nie]
				elektroniczna regulacja temperatury w pomieszczeniu ze sterownikiem dobowym	[nie]
				elektroniczna regulacja temperatury w pomieszczeniu ze sterownikiem tygodniowym	[tak]
				Inne opcje regulacji (można wybrać kilka)	
				regulacja temperatury w pomieszczeniu z wykrywaniem obecności	[nie]
				regulacja temperatury w pomieszczeniu z wykrywaniem otwartego okna	[tak]
				z regulacją na odległość	[nie]
				z adaptacyjną regulacją startu	[nie]
				z ograniczeniem czasu pracy	[nie]
				z czujnikiem ciepła promieniowania	[nie]
Dane teleadresowe	Kingfisher International Products Limited 3 Sheldon Square, London W2 6PX, United Kingdom				

Wymogi w zakresie informacji dotyczące elektrycznych miejscowych ogrzewaczy pomieszczeń

Identyfikator(-y) modelu: NE5EPC					
Parametr	Oznaczenie	Wartość	Jednostka	Parametr	Jednostka
Moc cieplna				Sposób doprowadzania ciepła wyłącznie w przypadku elektrycznych akumulacyjnych miejscowych ogrzewaczy pomieszczeń (należy wybrać jedną opcję)	
Nominalna moc cieplna	P_{nom}	0,3	kW	ręczny regulator doprowadzania ciepła z wbudowanym termostatem	ND.
Minimalna moc cieplna (orientacyjna)	P_{min}	0	kW	ręczny regulator doprowadzania ciepła z pomiarem temperatury w pomieszczeniu lub na zewnątrz	ND.
Maksymalna stała moc cieplna	$P_{max,c}$	0,3	kW	elektroniczny regulator doprowadzania ciepła z pomiarem temperatury w pomieszczeniu lub na zewnątrz	ND.
Zużycie energii elektrycznej na potrzeby własne				moc cieplna regulowana wentylatorem	ND.
Przy nominalnej mocy cieplnej	el_{max}	ND.	kW	Rodzaj mocy cieplnej/regulacja temperatury w pomieszczeniu (należy wybrać jedną opcję)	
Przy minimalnej mocy cieplnej	el_{min}	ND.	kW	jednostopniowa moc cieplna bez regulacji temperatury w pomieszczeniu	[nie]
W trybie czuwania	el_{SB}	0	kW	co najmniej dwa ręczne stopnie bez regulacji temperatury w pomieszczeniu	[nie]
				mechaniczna regulacja temperatury w pomieszczeniu za pomocą termostatu	[nie]
				elektroniczna regulacja temperatury w pomieszczeniu	[nie]
				elektroniczna regulacja temperatury w pomieszczeniu ze sterownikiem dobowym	[nie]
				elektroniczna regulacja temperatury w pomieszczeniu ze sterownikiem tygodniowym	[tak]
				Inne opcje regulacji (można wybrać kilka)	
				regulacja temperatury w pomieszczeniu z wykrywaniem obecności	[nie]
				regulacja temperatury w pomieszczeniu z wykrywaniem otwartego okna	[tak]
				z regulacją na odległość	[nie]
				z adaptacyjną regulacją startu	[nie]
				z ograniczeniem czasu pracy	[nie]
				z czujnikiem ciepła promieniowania	[nie]
Dane teleadresowe	Kingfisher International Products Limited 3 Sheldon Square, London W2 6PX, United Kingdom				

Wymogi w zakresie informacji dotyczące elektrycznych miejscowych ogrzewaczy pomieszczeń

Identyfikator(-y) modelu: NE10PCS					
Parametr	Oznaczenie	Wartość	Jednostka	Parametr	Jednostka
Moc cieplna				Sposób doprowadzania ciepła wyłącznie w przypadku elektrycznych akumulacyjnych miejscowych ogrzewaczy pomieszczeń (należy wybrać jedną opcję)	
Nominalna moc cieplna	P_{nom}	0,5	kW	ręczny regulator doprowadzania ciepła z wbudowanym termostatem	ND.
Minimalna moc cieplna (orientacyjna)	P_{min}	0	kW	ręczny regulator doprowadzania ciepła z pomiarem temperatury w pomieszczeniu lub na zewnątrz	ND.
Maksymalna stała moc cieplna	$P_{max,c}$	0,5	kW	elektroniczny regulator doprowadzania ciepła z pomiarem temperatury w pomieszczeniu lub na zewnątrz	ND.
Zużycie energii elektrycznej na potrzeby własne				moc cieplna regulowana wentylatorem	ND.
Przy nominalnej mocy cieplnej	el_{max}	ND.	kW	Rodzaj mocy cieplnej/regulacja temperatury w pomieszczeniu (należy wybrać jedną opcję)	
Przy minimalnej mocy cieplnej	el_{min}	ND.	kW	jednostopniowa moc cieplna bez regulacji temperatury w pomieszczeniu	[nie]
W trybie czuwania	el_{SB}	0	kW	co najmniej dwa ręczne stopnie bez regulacji temperatury w pomieszczeniu	[nie]
				mechaniczna regulacja temperatury w pomieszczeniu za pomocą termostatu	[nie]
				elektroniczna regulacja temperatury w pomieszczeniu	[nie]
				elektroniczna regulacja temperatury w pomieszczeniu ze sterownikiem dobowym	[nie]
				elektroniczna regulacja temperatury w pomieszczeniu ze sterownikiem tygodniowym	[tak]
				Inne opcje regulacji (można wybrać kilka)	
				regulacja temperatury w pomieszczeniu z wykrywaniem obecności	[nie]
				regulacja temperatury w pomieszczeniu z wykrywaniem otwartego okna	[tak]
				z regulacją na odległość	[nie]
				z adaptacyjną regulacją startu	[nie]
				z ograniczeniem czasu pracy	[nie]
				z czujnikiem ciepła promieniowania	[nie]
Dane teleadresowe	Kingfisher International Products Limited 3 Sheldon Square, London W2 6PX, United Kingdom				

Konserwacja i czyszczenie

1. Przed czyszczeniem należy wyłączyć urządzenie, wyjąć wtyczkę z kontaktu i odczekać, aż urządzenie całkowicie ostygnie.
2. Do czyszczenia obudowy urządzenia należy używać wilgotnej szmatki.
3. Należy regularnie czyścić kratki i wylot powietrza.
4. Do czyszczenia nie należy używać wody, płynów, żrących detergentów ani substancji chemicznych (alkohol, benzyna itp.).

OCHRONA ŚRODOWISKA

Ten symbol jest powszechnie znany jako "przekreślony kubek".

Jeżeli umieszczono go na produkcie lub baterii, oznacza to, że takiego przedmiotu nie wolno wyrzucać z odpadami domowymi.

Niektóre substancje chemiczne zawarte w produktach elektrycznych i elektronicznych lub bateriach są niebezpieczne dla zdrowia i środowiska.

Produkty elektryczne/elektroniczne i baterie należy utylizować w punktach zbiórki odpadów elektrycznych, które zajmują się odzyskiwaniem i przeróbką wtórną materiałów zawartych w takich urządzeniach. Należy przestrzegać tych zaleceń – pozwoli to skutecznie chronić środowisko naturalne.



Powyższa instrukcja jest przeznaczona TYLKO DO UŻYTKU w Polsce.

yyWxx: Kod daty produkcji; rok produkcji (yy) i tydzień produkcji (Wxx)

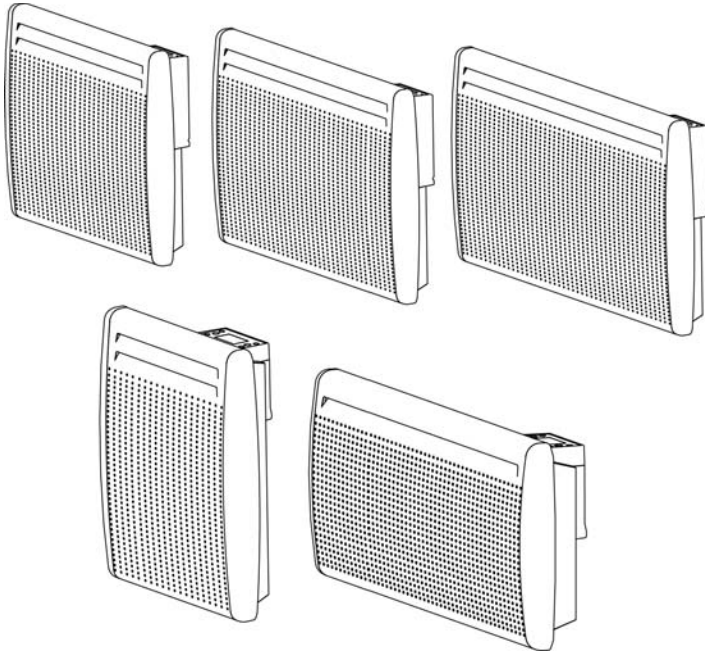


Producent: Kingfisher International Products Limited
3 Sheldon Square
London W2 6PX
United Kingdom



Dystrybutor: **Castorama**
Polska Sp. z o.o.
ul. Krakowiaków 78,
02-255 Warszawa
www.castorama.pl

ALÜMİNYUM RADYANT PANEL ISITICI



NE10EPC 840-1000W 3663602912941
NE15EPC 1250-1500W 3663602912958
NE20EPC 1680-2000W 3663602912965
NE5EPC 420-500W 3663602688549
NE10PCS 840-1000W 3663602688570

Haydi başlayalım...

Bu talimatlar sizin güvenliğiniz içindir. Lütfen kullanımdan önce bunları iyice okuyunuz ve ileride başvurmak üzere saklayınız.



Başlarken...

02

Güvenlik

03

Başlamadan önce

06

Hızlı başlangıç

11



Daha fazla detay...

17

Teknik bilgi

18

Bakım ve temizlik

24

Çevre koruma

25

LÜTFEN ALETİ KULLANMADAN ÖNCE TÜM TALİMATLARI DİKKATLİCE OKUYUNUZ.

- **Bu cihaz, gözetilmeleri veya cihazın emniyetli bir şekilde kullanımına ilişkin talimat verilmesi ve ilgili tehlikeleri anlamaları kaydıyla, 8 ve üzeri yaştaki çocuklar ve düşük fiziksel, duyuşal veya zihinsel yetenekleri olan ya da deneyim ve bilgisi olmayan kişiler tarafından kullanılabilir. Çocuklar cihazla oynamamalıdır. Temizlik ve kullanıcı bakımı gözetimsiz olarak çocuklar tarafından yapılmamalıdır.**
- **3 yaş altındaki çocuklar sürekli gözetilmedikçe uzak tutulmalıdır.**
- **3 yaşından 8 yaşına kadar olan çocuklar cihazı istenen normal çalışma konumunda yerleştirilmiş veya kurulmuş olması ve gözetilmeleri veya cihazın emniyetli bir şekilde kullanımına ilişkin talimat verilmesi ve ilgili tehlikeleri anlamaları kaydıyla açabilir/kapatabilir.**
- **3 yaşından 8 yaşına kadar olan çocuklar cihazın fişini takmamalı, ayarlamamalı ve temizlememeli ya da kullanıcı bakımı yapmamalıdır.**
- **DİKKAT - Bu ürünün bazı parçaları çok ısınabilir ve yanıklara yol açabilir. Çocukların ve savunmasız kişilerin bulunduğu yerlerde özel dikkat gösterilmelidir.**
- **Elektrik kablosu hasar görmüşse, üretici,**

servis ya da kalifiye bir kişi tarafından değiştirilmelidir.

- **Cihaz hemen priz çıkışının altına yerleştirilmemelidir.**
- **DİKKAT: Aşırı ısınmadan kaçınmak için ısıtıcıyı örtmeyin.**
- **Bu ısıtıcıyı programlayıcı, zamanlayıcı, ayrı bir uzaktan kumanda sistemi veya ısıtıcıyı otomatik olarak açan herhangi başka bir cihazla kullanmayın; ısıtıcı örtülüyse veya doğru konumlanmamışsa yangın riski vardır.**



- **DİKKAT: Termal akım kesiminin yanlış sıfırlanmasından kaynaklanan hasardan kaçınmak için bu cihaz zamanlayıcı gibi harici bir açma/kapama cihazıyla kullanılmamalıdır veya elektrik sağlayıcısı tarafından düzenli olarak açılıp kapanan bir devreye bağlanmamalıdır.**
- **Bu ısıtıcı evsel atıklarla birlikte atılmamalıdır; elektrikli aletlerin geri dönüşüm ve geri kazanımının sağlandığı yerel bir merkeze götürülmelidir.**
- **Isıtıcı, banyoda veya duştaki kişinin düğme veya kontrollere dokunamayacağı biçimde yerleştirilmelidir.**
- **Banyoda monte ediliyorsa bir 30mA RCD kullanılmalıdır.**
- **Cihazı duvara monte etmeye ilişkin ayrıntılar için**

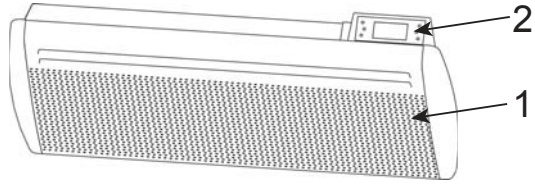
**sayfa 7-10 'deki "KURULUM" bölümüne bakın.
Not: aşağıdaki çizim sadece referans içindir.
Yardım için veya uzman bir elektrikçiye
başvurmanızı öneririz**

Başlamadan önce kontrol etmeniz gerekenler

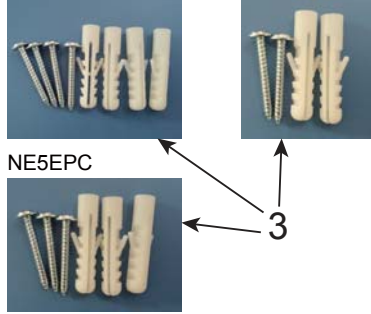
- ✓ Sadece evde kullanılır.
- ✓ Asla çocukların veya aleti güvenli biçimde kullanma kabiliyetine sahip olmayan kişilerin denetim olmaksızın bu aleti kullanmalarına izin vermeyin.
- ✓ Lütfen plastik torbaları dikkatli bir biçimde bertaraf ediniz ve çocuklardan uzak tutunuz.

Ürününüz

1. Gövde
2. Kontrol paneli
3. Duvara monte kitler



NE10EPC/NE15EPC NE10PCS
/NE20EPC



Açıklama	Çizim	ADET		
		NE10EPC /NE15EPC /NE20EPC	NE5EPC	NE10PCS
Vida		4	3	2
Dübel		4	3	2

CİHAZI MONTE Mİ EDİYORSUNUZ?

- Bu cihaz sadece iç mekanda kullanım içindir.
- Şek. 1'de gösterildiği gibi asgari mesafeleri gözetin.
- Islak banyo, çamaşırhane, mutfak gibi yerlerde, cihazı zemin seviyesinden en az 250 mm yukarı kurun.

- Üniteyi hava akımının onun düzenlenmesini bozabileceği yerlere monte etmeyin (örneğin klima ünitesi altında)

Dikkat: her ülkedeki montaj standardına göre bir uzmana monte ettirin (Fransa için NF C 15 100 veya diğer ülkeler için eşdeğeri)

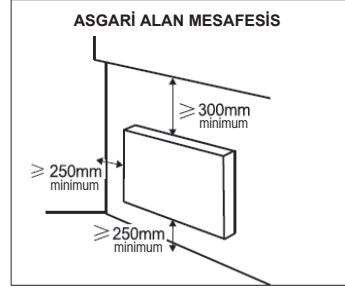


FIG 1

KURULUM

Isıtıcıyı duvara asmak için:

1. Isıtıcı için uygun bir montaj yeri seçin. (Şekil 1)
2. Vidayı gevşeterek duvar braketini sökün (çıkarmayın, sadece gevşetin) ve metal plakayı delikten dışarı kaydırın. Braketi aşağı çekerek çıkarın (Şekil 2).
3. Su terazisi kullanarak askı aparatının mükemmel bir şekilde yatay olduğundan emin olun ve duvarda deliklerin yerlerini işaretleyin (NE10EPC/ NE15EPC/ NE20EPC için 4, NE5EPC için 3, NE10PCS için 2). Deliklere dübeli takın, sonra sıkıca duvara braketi monte vidalayın. (Şekil 3)
4. Isıtıcıyı braketeye karşı yerleştirin (Şekil 4):
A: Aşağıya doğru olan alt kancayı ısıtıcı ile aynı

hizaya getirin.

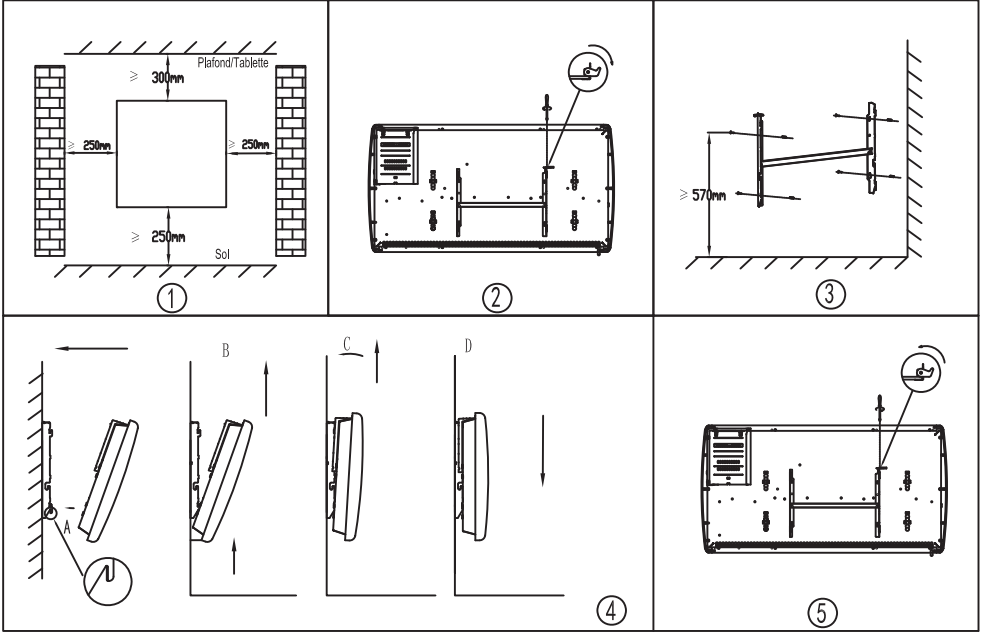
B: alt kancada onu muhafaza ederken ısıtıcıyı yukarı çekin.

C: Yukarı doğru olan üst kancayı ısıtıcı ile aynı hizaya getirin.

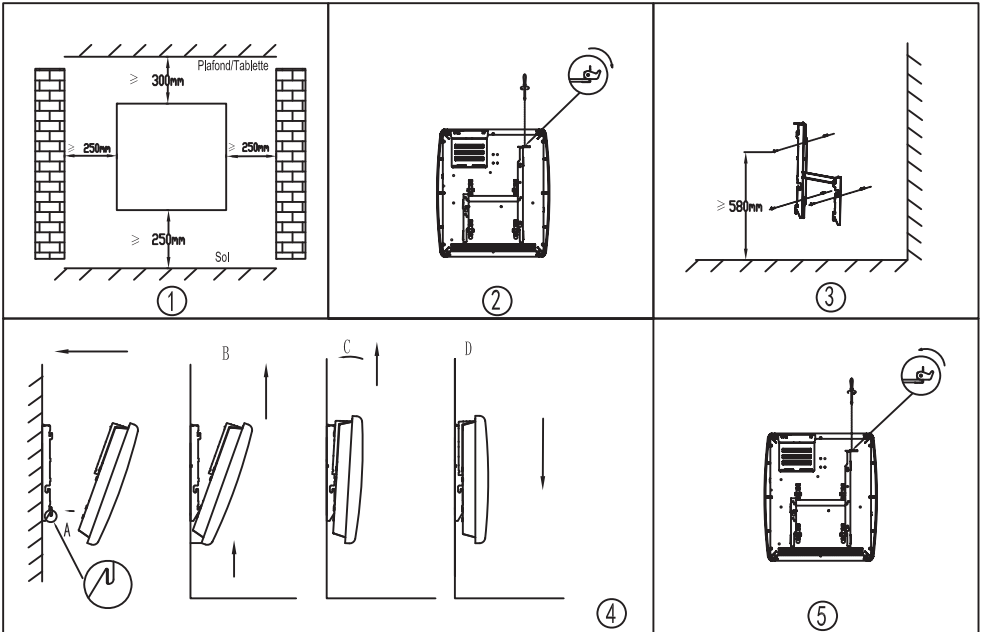
D: Isıtıcıyı aşağı çekin.

5. Metal plakayı deliğe kaydırın ve montaj braketini sıkıkmak için vidayı sıkın (Şekil 5).

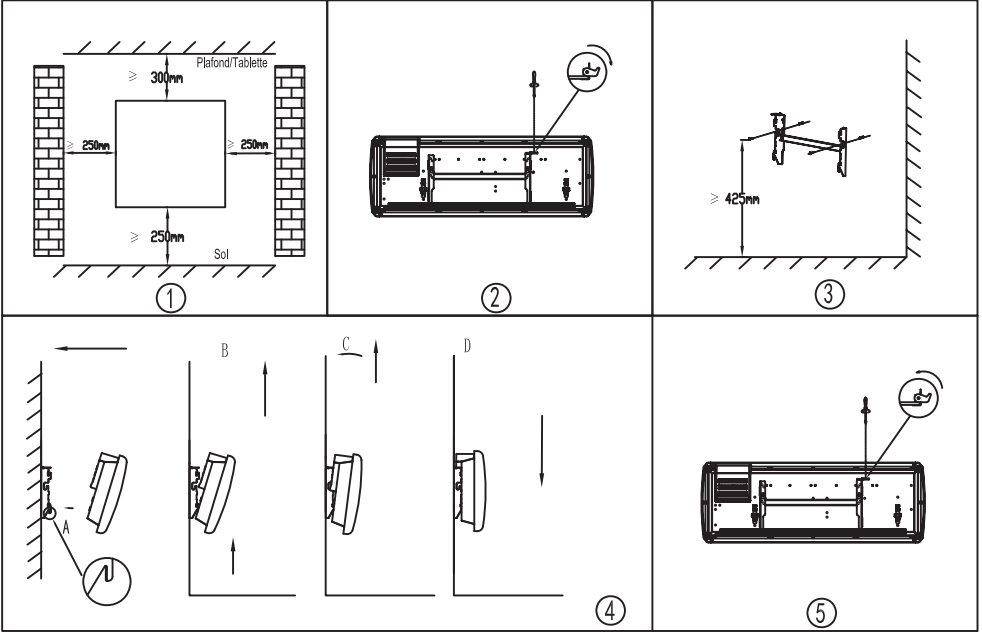
NE10EPC/NE15EPC/NE20EPC için bağlantı



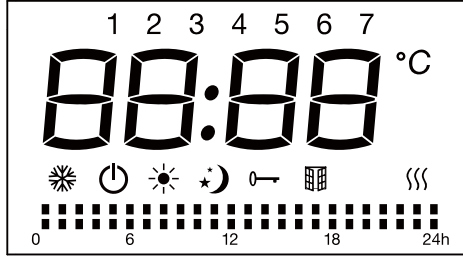
NE5EPC için bağlantı



NE10PCS için bağlantı



LCD gösterge:



LCD ekrandaki simgelerin işlevleri:

Sembol	İşlev
	Bekleme Modu (cihazın gücü açıktır ancak çalışmaz)
	Anti donma modu (cihaz sıcaklığı 7°C civarında tutar)
	Konfor Modu (istenilen sıcaklığa ayarlayın)
	ECO Modu (ECO sıcaklığı konfor sıcaklığından 3,5°C altında tutar. Bu mod konfor moduna istenen sıcaklığı bozmadan sıcaklığı düşürür)
	P Modu(P modunda cihaz varsayılan olarak konfor modunda çalışır (Fransa hariç))
	tuş takımı kilidi
	Pencere detektör fonksiyonu ile
	Isıtıcı göstergesi (Cihaz ısınırken, ekranda bu simge gösterilir. Simge sıcaklık ayarlanan dereceye ulaştığı zaman kaybolur.)
	Sıcaklık (santigrat)

Haftalık kişiselleştirilmiş modlar:



Konfor Modu aktif

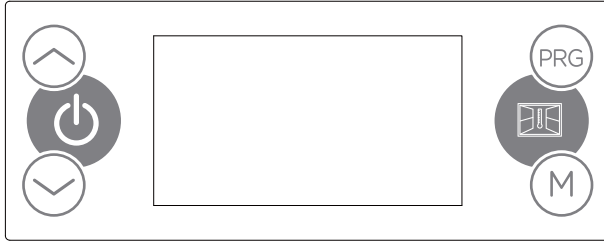


ECO Modu aktif



Bekleme

Kontrol paneli



Sembol	İşlev
Dokunmatik ekran ^ / v	Saati, haftanın günü, sıcaklığı ayarlayın; veya haftalık kişiselleştirilmiş programlar altında, konfor modu, eko modu veya bekleme modu arasında seçim yapın.
Dokunmatik ekran	Bekleme
Dokunmatik ekran PRG	Haftalık kişiselleştirilmiş programı seçmek için
Dokunmatik ekran	Pencere detektör fonksiyonu ile
Dokunmatik ekran M	Çalışma modunu seçmek için konfor/ anti-friz/ P1 / P2 / P3 / P

NASIL KULLANILIR

Makineyi ilk kez kullanırken biraz koku olacaktır. Isıtıcı bir saat çalıştıktan sonra koku yok olur.

I. Mod ayarı

1.Cihazı ilk kez kullandığınızda, güç kaynağına bağladıktan ve saati ayarladıktan sonra, cihaz bekleme modunda olacaktır ve konfor moduna gitmek için bekleme düğmesine basabilirsiniz.

Notlar: Elektrik kesintisi durumunda, ünite sadece parametreleri, sıcaklık ve çalışma modunu bellekte tutar. Güç geri geldiğinde, saat P1/P2/P3/kışiselleştirilmiş çeşitli programı doğru şekilde çalıştırmak için tekrar ayarlanmalıdır.

2. Modlar arasında geçiş yapmak için M düğmesine basın: Konfor modu , Eco
Anti donma modu , P1/P2/P3/P.

P modunda cihaz varsayılan olarak konfor modunda çalışır (Fransa hariç).



II. Sıcaklık ayarı:

1. Konfor modu veya Eco modu altında (anti donma modu hariç) istenilen sıcaklığı seçmek için \wedge veya \vee tuşuna basın. ECO ve konfor modu arasındaki sıcaklık farkı $3,5^{\circ}\text{C}$ 'dir, yani ECO modu sıcaklığı $1,5^{\circ}\text{C}$ ve $25,5^{\circ}\text{C}$ arasındadır.
 2. Ayarı sonlandırmak için \wedge / \vee hariç diğer düğmelere basın ya da 10 saniye sonra otomatik olarak kaydedecektir.
- Oda sıcaklığı, seçilen sıcaklıktan daha yüksek olduğunda, ısıtıcı ısıtmayı durdurur.



III. Saat ayarı

Not:
 Saat/dakika/haftayı ayarlamak için \wedge tuşuna basın.
 Haftanın günü ve saati güç kaynağı kesik olmadığı müddetçe geçerli olur. "Haftanın günü" ve "Saat" tüm programlar için geçerlidir (bkz. Bölüm IV, P1 / P2 / P3 / Kişiselleştirilmiş).

1. Saat ayarını başlatmak için \wedge ve \vee düğmelerine aynı anda basın.
2. Saat/dakika/hafta arasında geçiş yapmak için \wedge düğmesine basın.
3. Saat/dakika/haftayı ayarlamak için \vee tuşuna basın.



Seçim	Görüntülenen simge
Pazartesi	1
Salı	2
Çarşamba	3
Perşembe	4
Cuma	5
Cumartesi	6
Pazar	7
Saat	00-23
Dakika	00-59

4. Ayarı sonlandırmak için \wedge / \vee hariç diğer düğmelere basın ya da 10 saniye sonra otomatik olarak kaydedecektir.

IV. Program ayarı

1. Önceden yüklenmiş programlar

P1	Mon-Sun	
P2	day workables	
	weekends	
P3	day workables	
	weekends	

P1 / P2 / P3 programları önceden yüklenmiş programlardır. Programı onayladıktan sonra, program simgesi ve ayarlanan sıcaklık ekranda gösterilir.

2. Kişiselleştirilmiş programı ayarlama

"Gün (1-7)" veya "farklı dönemlerin ısıtma modları (00:00-24:00)" arasında seçim yapmak için PRG düğmesine basın.

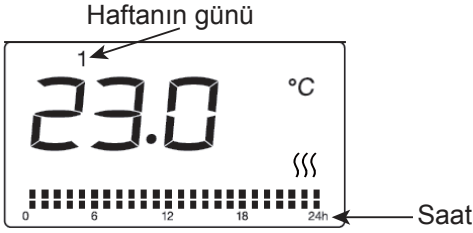
\wedge / \vee düğmelerine basarak istenen günü (1-7) veya ısıtma modunu seçin.

"Farklı dönemlerin ısıtma modları (00:00-24:00)" ayarlanırken, saati seçmek için \wedge düğmesine, işlevler arasında seçim yapmak için \vee düğmesine

basın: konfor , ekonomik ve bekleme modu . 30 saniye sonra otomatik olarak sonlandırılır.

Örneğin: gün 1'i, 23°C sıcaklığını, 24 saat için konfor modunu seçmek için:

1. PRG'ye ardından da gün 1'i seçmek için \wedge / \vee tuşuna basın.

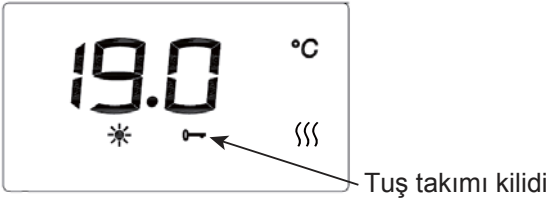


2. PRG düğmesine tekrar basın, saati seçmek için \wedge tuşuna basın, konfor modunu seçmek için \vee tuşuna basın ve tüm 24 saat için tekrar edin
3. Eylemden 30 saniye sonra, ayar kaydedilir.

Notlar: Elektrik kesintisi durumunda, ünite hafızasında sadece parametreleri, sıcaklık ve çalışma modunu tutar. Güç geri geldiğinde, saat P1/P2/P3/kişiselleştirilmiş çeşitli programı doğru şekilde çalıştırmak için tekrar ayarlanmalıdır.

V: Tuş takımı kilidi


Klavye kilidi fonksiyonunu $0 \rightarrow$ etkinleştirmek için üç saniye boyunca M düğmesine basın, kilidi açmak için tekrar üç saniye M düğmesine



Açıklamalar:

1. Tuş takımı kilit fonksiyonu bekleme düğmesini kilitlemez ⏻ .
 2. Tuş takımı kilidi fonksiyonu aşağıdaki koşullar altında otomatik olarak devre dışı bırakılır.
 - 1) cihaz bekleme düğmesine basılarak kapatılmışsa ⏻ .
 - 2) cihaz güç kesilmesinden zarar görmüşse.
- Bu işleve ihtiyacınız varsa 3 saniye M tuşuna basarak tekrar ayarlamamız gerekir.

VI: Pencere detektör fonksiyonu ile

Pencere  detektör işlevine girmek için düğmeye basın. Cihaz varsayılan olarak konfor moduna girecektir. Eğer sıcaklık düşüşü algılanırsa, cihaz otomatik olarak anti donma moduna geçer. Eğer sıcaklık yükselirse, cihaz tekrar konfor moduna geri döner. Diğer modları seçmek için M veya PRG düğmesine basabilir ya da bekleme moduna geçmek için bekleme düğmesine basabilirsiniz.

NOT: pencere işlevinin altında pilot kontrolü mevcut değildir.

VII: Arka aydınlatma

Arka aydınlatma otomatik olarak kapanır:

1. tuş takımı kilidinden 60 saniye sonra

Sistem kilidi açıldığında arka aydınlatma tekrar etkinleştirilir.

2. Ön tuşların son kullanımından 60 saniye sonra.

Bir tuş etkinleştirildikten sonra arka aydınlatma tekrar etkinleşir.

VIII: Ayarların geçerliliği

Elektrik kesilene kadar sıcaklık, saati haftanın günü ve programlar için tüm ayarlar geçerli kalır.

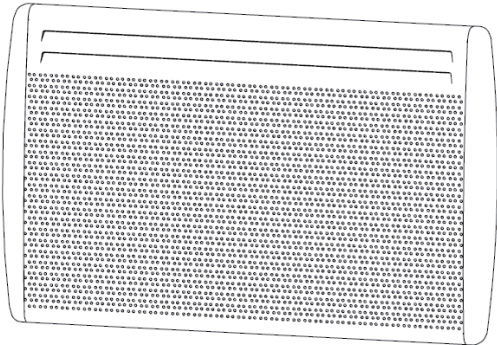
Elektrik kesintisi durumunda, cihaz hafızasında sadece parametreleri, sıcaklık ve çalışma modunu tutar. Güç geri geldiğinde, saat P1/P2/P3/kişiselleştirilmiş çeşitli programı doğru şekilde çalıştırmak için tekrar ayarlanmalıdır.

Yanlışlıkla bir tuşa basılarak herhangi bir ayarın devre dışı kalmasını önlemek için tuş takımınızı kilitleyin.



Daha fazla detay...

Teknik bilgi	18
Bakım ve temizlik	24
Çevre koruması	25



Teknik Özellikler

Model no.	Gerilim ve Frekans	Güç (Watt)	Ürün Boyutları Y x G x D (mm)	Sınıf	IP
NE10EPC	220-240V~ 50/60Hz	840-1000W	450x570x110	Doble aislamiento CLASE II	IPX4
NE15EPC	220-240V~ 50/60Hz	1250-1500W	450x720x110	Doble aislamiento CLASE II	IPX4
NE20EPC	220-240V~ 50/60Hz	1680-2000W	450x870x110	Doble aislamiento CLASE II	IPX4
NE5EPC	220-240V~ 50/60Hz	420-500W	450x400x110	Doble aislamiento CLASE II	IPX4
NE10PCS	220-240V~ 50/60Hz	840-1000W	283x790x110	Doble aislamiento CLASE II	IPX4

Elektrikli Isıtıcılar için gerekli bilgiler

Model Bilgileri: NE10EPC					
Başlık	Sembol	Değer	Birim	Başlık	Birim
Isıtma				Isı yüklemeye yöntemi, sadece duvar tipi elektrikli ısıtıcılar için (birini seçiniz)	
Nominal Isıtma	P_{nom}	0,5	kW	Entegre termostat ile manuel ısı yüklemeye kontrolü	N.A.
Minimum ısı çıkışı (gösterge değeri)	P_{min}	0	kW	Manuel oda sıcaklığı ve/veya dış ortam sıcaklığı kontrolü ile ısı yüklemesi	N.A.
Maksimum sürekli ısı çıkışı	$P_{max,c}$	0,5	kW	Oda sıcaklığı ve/veya dış ortam sıcaklığı elektronik kontrolü ile ısı yüklemesi	N.A.
Ek Elektrik Tüketimi				Fan destekli ısı çıkışı	N.A.
Nominal Isıtma	e_{lmax}	N.A.	kW	Isıtma yöntemi	
Minimum Isıtma	e_{lmin}	N.A.	kW	Oda sıcaklığı kontrolü yok ve tek aşamalı ısı çıkışı	[hayır]
Bekleme Modu	e_{lsB}	0	kW	Oda sıcaklığı kontrolü yok ve iki veya daha çok manuel aşamalı	[hayır]
				mekanik termostatlı oda sıcaklığı kontrolü	[hayır]
				elektronik oda sıcaklığı kontrolü	[hayır]
				elektronik oda sıcaklığı ve günlük zamanlayıcı kontrollü	[hayır]
				elektronik oda sıcaklığı ve haftalık zamanlayıcı kontrollü	[evet]
				Diğer kontrol seçenekleri (çoklu seçimler mümkünse)	
				Fotoselli oda sıcaklığı kontrolü	[hayır]
				açık pencere sensörlü oda sıcaklığı kontrolü	[evet]
				uzaktan kontrol seçeneği	[hayır]
				adapte açılma kontrolü	[hayır]
				zaman sınırlı çalışma	[hayır]
				siyah bulb yuvası sensörlü	[hayır]
İletişim	Kingfisher International Products Limited 3 Sheldon Square, London W2 6PX, United Kingdom				

Elektrikli Isıtıcılar için gerekli bilgiler

Model Bilgileri: NE15EPC					
Başlık	Sembol	Değer	Birim	Başlık	Birim
Isıtma				Isı yüklemeye yöntemi, sadece duvar tipi elektrikli ısıtıcılar için (birini seçiniz)	
Nominal Isıtma	P_{nom}	0,8	kW	Entegre termostat ile manuel ısı yüklemeye kontrolü	N.A.
Minimum ısı çıkışı (gösterge değeri)	P_{min}	0	kW	Manuel oda sıcaklığı ve/veya dış ortam sıcaklığı kontrolü ile ısı yüklemesi	N.A.
Maksimum sürekli ısı çıkışı	$P_{max,c}$	0,8	kW	Oda sıcaklığı ve/veya dış ortam sıcaklığı elektronik kontrolü ile ısı yüklemesi	N.A.
Ek Elektrik Tüketimi				Fan destekli ısı çıkışı	N.A.
Nominal Isıtma	e_{lmax}	N.A.	kW	Isıtma yöntemi	
Minimum Isıtma	e_{lmin}	N.A.	kW	Oda sıcaklığı kontrolü yok ve tek aşamalı ısı çıkışı	[hayır]
Bekleme Modu	e_{lsB}	0	kW	Oda sıcaklığı kontrolü yok ve iki veya daha çok manuel aşamalı	[hayır]
				mekanik termostatlı oda sıcaklığı kontrolü	[hayır]
				elektronik oda sıcaklığı kontrolü	[hayır]
				elektronik oda sıcaklığı ve günlük zamanlayıcı kontrollü	[hayır]
				elektronik oda sıcaklığı ve haftalık zamanlayıcı kontrollü	[evet]
				Diğer kontrol seçenekleri (çoklu seçimler mümkünse)	
				Fotoselli oda sıcaklığı kontrolü	[hayır]
				açık pencere sensörlü oda sıcaklığı kontrolü	[evet]
				uzaktan kontrol seçeneği	[hayır]
				adapte açılma kontrolü	[hayır]
				zaman sınırlı çalışma	[hayır]
				siyah bulb yuvası sensörlü	[hayır]
İletişim	Kingfisher International Products Limited 3 Sheldon Square, London W2 6PX, United Kingdom				

Elektrikli Isıtıcılar için gerekli bilgiler

Model Bilgileri: NE20EPC					
Başlık	Sembol	Değer	Birim	Başlık	Birim
Isıtma				Isı yüklemeye yöntemi, sadece duvar tipi elektrikli ısıtıcılar için (birini seçiniz)	
Nominal Isıtma	P_{nom}	1,1	kW	Entegre termostat ile manuel ısı yüklemeye kontrolü	N.A.
Minimum ısı çıkışı (gösterge değeri)	P_{min}	0	kW	Manuel oda sıcaklığı ve/veya dış ortam sıcaklığı kontrolü ile ısı yüklemesi	N.A.
Maksimum sürekli ısı çıkışı	$P_{max,c}$	1,1	kW	Oda sıcaklığı ve/veya dış ortam sıcaklığı elektronik kontrolü ile ısı yüklemesi	N.A.
Ek Elektrik Tüketimi				Fan destekli ısı çıkışı	N.A.
Nominal Isıtma	e_{lmax}	N.A.	kW	Isıtma yöntemi	
Minimum Isıtma	e_{lmin}	N.A.	kW	Oda sıcaklığı kontrolü yok ve tek aşamalı ısı çıkışı	[hayır]
Bekleme Modu	e_{lsB}	0	kW	Oda sıcaklığı kontrolü yok ve iki veya daha çok manuel aşamalı	[hayır]
				mekanik termostatlı oda sıcaklığı kontrolü	[hayır]
				elektronik oda sıcaklığı kontrolü	[hayır]
				elektronik oda sıcaklığı ve günlük zamanlayıcı kontrolü	[hayır]
				elektronik oda sıcaklığı ve haftalık zamanlayıcı kontrolü	[evet]
				Diğer kontrol seçenekleri (çoklu seçimler mümkünse)	
				Fotoselli oda sıcaklığı kontrolü	[hayır]
				açık pencere sensörlü oda sıcaklığı kontrolü	[evet]
				uzaktan kontrol seçeneği	[hayır]
				adapte açılma kontrolü	[hayır]
				zaman sınırlı çalışma	[hayır]
				siyah bulb yuvası sensörlü	[hayır]
İletişim	Kingfisher International Products Limited 3 Sheldon Square, London W2 6PX, United Kingdom				

Elektrikli Isıtıcılar için gerekli bilgiler

Model Bilgileri: NE5EPC					
Başlık	Sembol	Değer	Birim	Başlık	Birim
Isıtma				Isı yüklemeye yöntemi, sadece duvar tipi elektrikli ısıtıcılar için (birini seçiniz)	
Nominal Isıtma	P_{nom}	0,3	kW	Entegre termostat ile manuel ısı yüklemeye kontrolü	N.A.
Minimum ısı çıkışı (gösterge değeri)	P_{min}	0	kW	Manuel oda sıcaklığı ve/veya dış ortam sıcaklığı kontrolü ile ısı yüklemesi	N.A.
Maksimum sürekli ısı çıkışı	$P_{max,c}$	0,3	kW	Oda sıcaklığı ve/veya dış ortam sıcaklığı elektronik kontrolü ile ısı yüklemesi	N.A.
Ek Elektrik Tüketimi				Fan destekli ısı çıkışı	N.A.
Nominal Isıtma	e_{lmax}	N.A.	kW	Isıtma yöntemi	
Minimum Isıtma	e_{lmin}	N.A.	kW	Oda sıcaklığı kontrolü yok ve tek aşamalı ısı çıkışı	[hayır]
Bekleme Modu	e_{lsB}	0	kW	Oda sıcaklığı kontrolü yok ve iki veya daha çok manuel aşamalı	[hayır]
				mekanik termostatlı oda sıcaklığı kontrolü	[hayır]
				elektronik oda sıcaklığı kontrolü	[hayır]
				elektronik oda sıcaklığı ve günlük zamanlayıcı kontrollü	[hayır]
				elektronik oda sıcaklığı ve haftalık zamanlayıcı kontrollü	[evet]
				Diğer kontrol seçenekleri (çoklu seçimler mümkünse)	
				Fotoselli oda sıcaklığı kontrolü	[hayır]
				açık pencere sensörlü oda sıcaklığı kontrolü	[evet]
				uzaktan kontrol seçeneği	[hayır]
				adapte açılma kontrolü	[hayır]
				zaman sınırlı çalışma	[hayır]
				siyah bulb yuvası sensörlü	[hayır]
İletişim	Kingfisher International Products Limited 3 Sheldon Square, London W2 6PX, United Kingdom				

Elektrikli Isıtıcılar için gerekli bilgiler

Model Bilgileri: NE10PCS					
Başlık	Sembol	Değer	Birim	Başlık	Birim
Isıtma				Isı yüklemeye yöntemi, sadece duvar tipi elektrikli ısıtıcılar için (birini seçiniz)	
Nominal Isıtma	P_{nom}	0,5	kW	Entegre termostat ile manuel ısı yüklemeye kontrolü	N.A.
Minimum ısı çıkışı (gösterge değeri)	P_{min}	0	kW	Manuel oda sıcaklığı ve/veya dış ortam sıcaklığı kontrolü ile ısı yüklemesi	N.A.
Maksimum sürekli ısı çıkışı	$P_{max,c}$	0,5	kW	Oda sıcaklığı ve/veya dış ortam sıcaklığı elektronik kontrolü ile ısı yüklemesi	N.A.
Ek Elektrik Tüketimi				Fan destekli ısı çıkışı	N.A.
Nominal Isıtma	e_{lmax}	N.A.	kW	Isıtma yöntemi	
Minimum Isıtma	e_{lmin}	N.A.	kW	Oda sıcaklığı kontrolü yok ve tek aşamalı ısı çıkışı	[hayır]
Bekleme Modu	e_{lsB}	0	kW	Oda sıcaklığı kontrolü yok ve iki veya daha çok manuel aşamalı	[hayır]
				mekanik termostatlı oda sıcaklığı kontrolü	[hayır]
				elektronik oda sıcaklığı kontrolü	[hayır]
				elektronik oda sıcaklığı ve günlük zamanlayıcı kontrolü	[hayır]
				elektronik oda sıcaklığı ve haftalık zamanlayıcı kontrolü	[evet]
				Diğer kontrol seçenekleri (çoklu seçimler mümkünse)	
				Fotoselli oda sıcaklığı kontrolü	[hayır]
				açık pencere sensörlü oda sıcaklığı kontrolü	[evet]
				uzaktan kontrol seçeneği	[hayır]
				adapte açılma kontrolü	[hayır]
				zaman sınırlı çalışma	[hayır]
				siyah bulb yuvası sensörlü	[hayır]
İletişim	Kingfisher International Products Limited 3 Sheldon Square, London W2 6PX, United Kingdom				

BAKIM VE TEMİZLİK

1. Cihazı temizlemeden önce, cihazın elektrik bağlantısını kapatın ve tamamen soğuyana kadar bekleyin.
2. Cihazın gövdesini temizlemek için nemli bir bez kullanın.
3. Düzenli olarak ızgaraları ve hava çıkışıını temizleyin.
4. Temizlemek için su, sıvı, aşındırıcı deterjan ya da kimyasallar (alkol, benzin, vs.) kullanmayın.

ÇEVRE KORUMASI

Bu sembol “Tekerlekli Çöp Kutusu Yasaktır Sembölü” olarak bilinmektedir. Bir ürün veya batarya üzerinde bu sembolün işaretli olması malzemenin genel ev çöplerinizle beraber bertaraf edilmemesi gerektiği anlamına gelir. Elektrikli/elektronik ürün veya pil içerisinde bulunan bazı kimyasallar insan sağlığı ve çevreye zararlı olabilir. Elektrikli/elektronik/pil malzemelerini her birinin geri dönüşüm için toplandığı ayrı toplama planları halinde bertaraf ediniz. Bu planların başarısının sağlanması ve çevrenin korunması için işbirliğiniz büyük önem taşımaktadır



Yukarıdaki talimat SADECE Türkiye’de KULLANIM içindir.

AEEE Yönetmeliğine Uygundur.
Kullanım Ömrü 10 Yıldır

yyHxx : Üretim tarihi kodu; üretim yılı (yy) ve üretim haftası (hxx)

TÜKETİCİLERİN HAKLARI

6502 sayılı Kanunun 11. Maddesi uyarınca , Malın ayıplı olduğunun anlaşılması durumunda tüketici;

- Satılanı geri vermeye hazır olduğunu bildirerek sözleşmeden dönme,
- Satılanı alıkoyup ayıp oranında satış bedelinden indirim isteme,
- Aşırı bir masraf gerektirmediği takdirde, bütün masrafları satıcıya ait olmak üzere satılanın ücretsiz onarılmasını isteme,
- İmkân varsa, satılanın ayıpsız bir misli ile değiştirilmesini isteme, seçimsiz haklarından birini kullanabilir. Satıcı, tüketicinin tercih ettiği bu talebi yerine getirmekle yükümlüdür

6502 sayılı Kanunun 66. ve devamı maddeleri uyarınca Tüketiciler şikayet ve itirazları konusundaki başvurularını Tüketici Mahkemelerine ve Tüketici Hakem Heyetlerine yapabileceklerdir.



Üretici: Kingfisher International Products Limited
3 Sheldon Square
London W2 6PX
United Kingdom

Yetkili servis istasyonları ve yedek parça temini için aşağıda yer alan Koçtaş Müşteri Hattı ve Koçtaş Genel Müdürlük irtibat bilgilerinden faydalanınız.

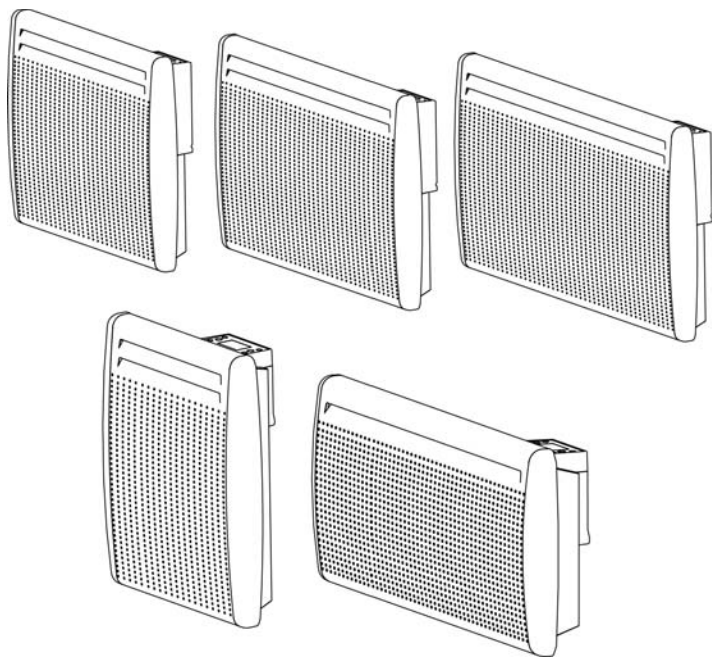


**İthalatçı Firma: KOÇTAŞ YAPI
MARKETLERİ TİC. A.Ş.**

Taşdelen mah. Sırrı Çelik Bulvarı No: 5
34788 Taşdelen/Çekmeköy/İSTANBUL
Tel: +90 216 4300300
Faks: +90 216 4844313
www.koctas.com.tr

KOÇTAŞ MÜŞTERİ HİZMETLERİ
0850 209 50 50

ПАНЕЛЬНЫЙ ОБОГРЕВАТЕЛЬ



NE10EPC 840-1000Вт 3663602912941
NE15EPC 1250-1500Вт 3663602912958
NE20EPC 1680-2000Вт 3663602912965
NE5EPC 420-500Вт 3663602688549
NE10PCS 840-1000Вт 3663602688570

Давайте приступим...

Эти инструкции предназначены для вашей безопасности. Внимательно их прочтите перед использованием и сохраните для будущего использования.



С чего начать... 02

- Безопасность 03
- Перед началом 07
- Быстрое начало 12




Подробнее... 18

- Техническая информация 19
- Уход и очистка 19
- Защита окружающей среды 20

ВНИМАТЕЛЬНО ПРОЧТИТЕ СЛЕДУЮЩИЕ ИНСТРУКЦИИ ПЕРЕД ИСПОЛЬЗОВАНИЕМ ПРОДУКТА.

- Данным устройством могут пользоваться дети в возрасте от 8 лет, а также лица с ограниченными физическими или умственными возможностями, с нарушениями органов чувств или не имеющие опыта или знаний по использованию данного устройства под наблюдением или после получения указаний по его использованию безопасным образом, с разъяснением возможных опасностей. Не позволяйте детям играть с данным устройством. Не позволяйте детям производить очистку и техническое обслуживание устройства без наблюдения взрослых.**
- Не следует допускать к использованию устройства детей младше 3 лет без постоянного наблюдения.**
- Дети в возрасте от 3 до 8 лет могут только включать и выключать устройство при условии его надлежащего размещения и установки в нормальное рабочее положение, а также наблюдения со стороны взрослых или после получения соответствующих указаний по**

использованию устройства безопасным образом, с разъяснением возможных опасностей.

- Не следует разрешать детям в возрасте от 3 до 8 лет подключать устройство к сети или производить его регулировку и техническое обслуживание.
- **ОСТОРОЖНО!** – Некоторые детали данного устройства сильно нагреваются и могут вызвать ожоги. Необходимо быть особо внимательным в присутствии детей и уязвимых людей.
- Если электрический шнур поврежден, его должен заменять производитель, сервисный центр производителя или квалифицированный специалист, чтобы предотвратить риск.
- Обогреватель нельзя располагать непосредственно под розеткой.
-  **ВНИМАНИЕ:** во избежание перегрева не накрывайте обогреватель.
- Не пользуйтесь данным обогревателем с помощью программируемого устройства, таймера, отдельного пульта дистанционного управления или любого другого устройства, включающего

нагреватель автоматически, так как это приведет к опасности, если обогревателем чем-нибудь накрыт или установлен неправильно.

- **ВНИМАНИЕ!** Чтобы избежать опасности из-за случайного срабатывания термopредохранителя, данное устройство запрещено подключать через внешний переключатель, такой как таймер, или подключать к цепи с постоянными включениями и выключениями.
- Этот обогреватель нельзя утилизировать вместе с бытовыми отходами. Его необходимо сдать в местный центр переработки и утилизации электрических приборов.
- Во избежание риска несчастного случая, поломки устройства, а также угрозы пожара в результате короткого замыкания, нельзя дотрагиваться до выключателей или других органов управления нагревателем, находясь в ванне или душе.
- При установке в ванной комнате необходимо использовать устройство защитного отключения (УЗО) с номинальным остаточным рабочим током не более 30 мА.

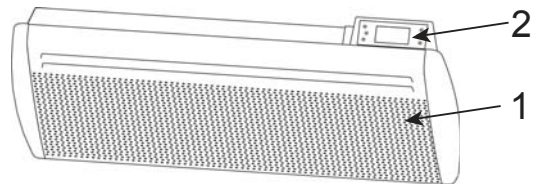
- **Подробную информацию о монтаже устройства на стену см. в разделе «УСТАНОВКА» на стр. 8-11.
Примечание. Схема ниже приводится только для справки. Мы рекомендуем обратиться за помощью к профессиональному электрику.**

Что нужно проверить перед началом

- ✓ Только для домашнего использования.
- ✓ Никогда не позволяйте детям или людям, которые не могут безопасно эксплуатировать устройство, использовать устройство без присмотра.
- ✓ Утилизируйте пластиковые пакеты надлежащим образом и держите их вдали от детей.

Ваша продукция

1. Корпус
2. Панель управления
3. Комплекты для крепления на стену



NE10EPC/NE15EPC NE10PCS
/NE20EPC



NE5EPC



3

Описание	Рисунок	Кол-во		
		NE10EPC /NE15EPC /NE20EPC	NE5EPC	NE10PCS
Винт		4	3	2
Дюбель		4	3	2

УСТАНОВКА УСТРОЙСТВА

- Данное устройство предназначено для использования только внутри помещений.
- Соблюдайте минимальные расстояния, указанные на Рис. 1.
- В таких местах, как влажные ванные комнаты,

прачечные и кухни устанавливайте прибор на расстоянии не менее 250 мм от уровня пола.

- Не устанавливайте устройство в местах, где поток воздуха может повлиять на условия его работы (например, под кондиционером).

Внимание! Выполните профессиональную установку в соответствии со стандартами, принятыми в стране использования (NF C 15 100 для Франции и аналогично для других стран).



Рис. 1

УСТАНОВКА

Чтобы повесить обогреватель на стену, выполните следующие действия.

1. Выберите подходящее место для установки обогревателя (Рис. 1).
2. Открутите винт, чтобы отсоединить настенный кронштейн (не извлекайте, только открутите), и выдвиньте металлическую пластину из отверстия. Потяните кронштейн вниз, чтобы извлечь (Рис. 2).
3. С помощью спиртового уровня убедитесь, что кронштейн расположен строго горизонтально, после чего отметьте расположения отверстий на стене (4 отверстия для NE10EPC / NE15EPC/

NE20EPS, 3 отверстия для NE5EPS, 2 отверстия для NE10PCS). Вставьте дюбели в отверстия, затем надежно прикрутите настенный кронштейн к стене (Рис. 3).

4. Повесьте обогреватель на кронштейн (Рис. 4).

A: Совместите обогреватель с 2 нижними крючками, обращенными вниз.

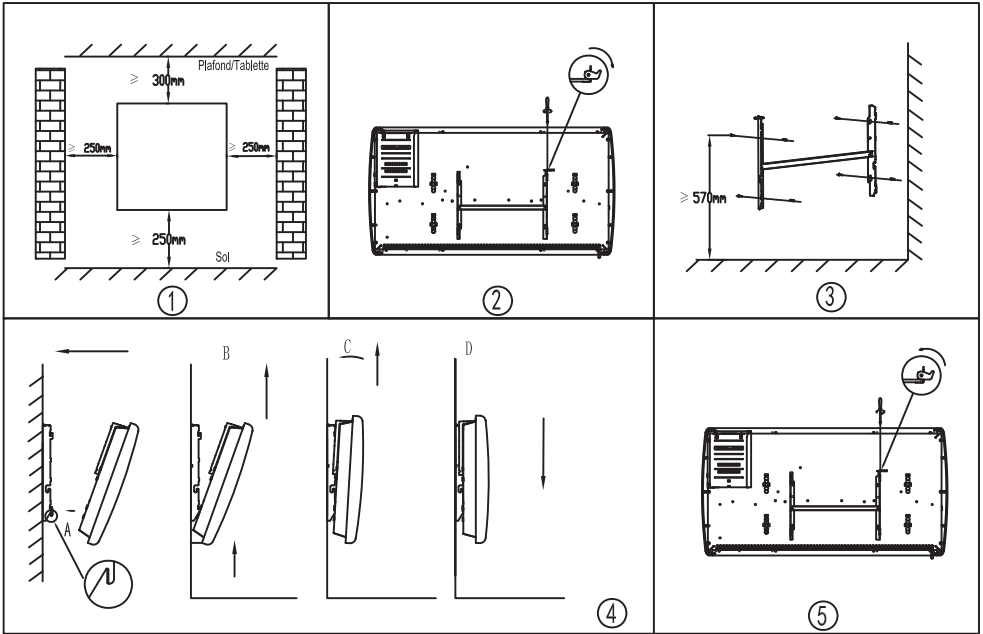
B: Потяните обогреватель вверх, чтобы он зацепился за эти 2 крючка.

C: Совместите обогреватель с 2 верхними крючками, обращенными вверх.

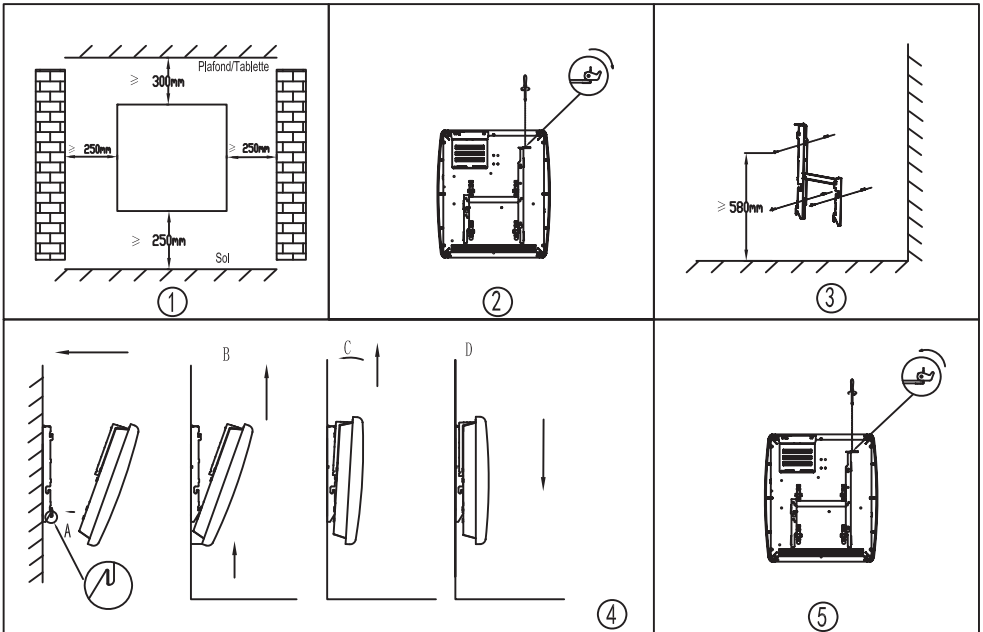
D: Потяните обогреватель вниз.

5. Вставьте металлическую пластину в отверстие и затяните винт, чтобы зафиксировать настенный кронштейн (Рис. 5).

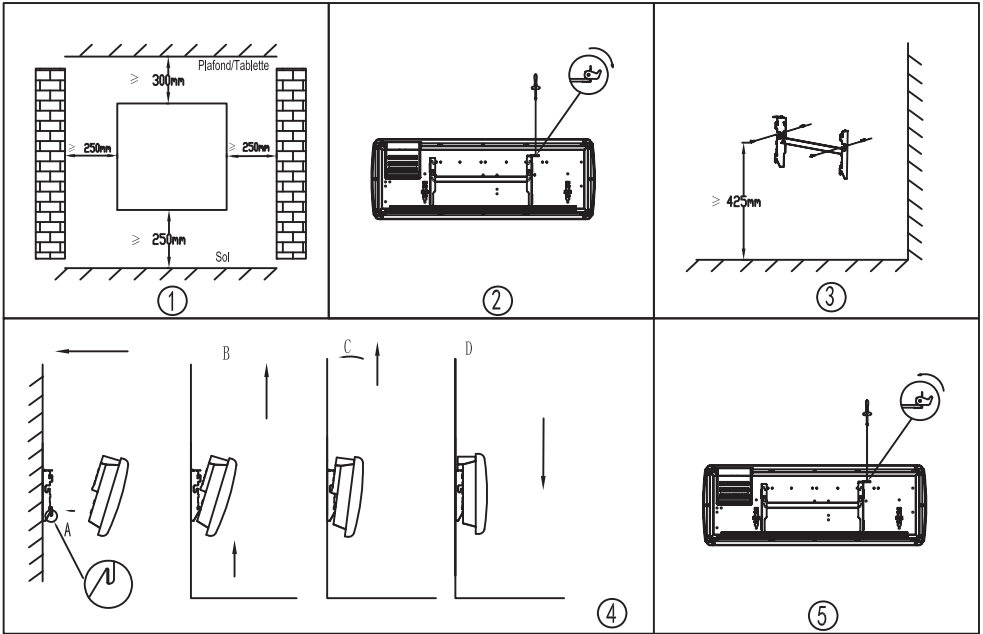
КРЕПЛЕНИЯ ДЛЯ NE10EPС/NE15EPС/NE20EPС



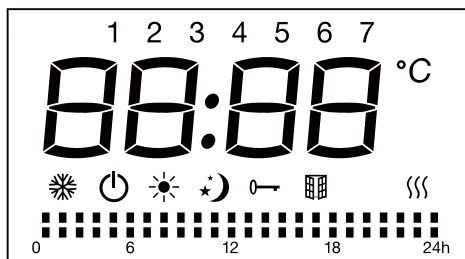
КРЕПЛЕНИЯ ДЛЯ NEБEPС



КРЕПЛЕНИЯ ДЛЯ NE10PCS



ЖК-экран:



Значения символов на ЖК-экране:

Символ	Значение
	Режим ожидания (устройство включено, но не работает)
	Режим защиты от замерзания (устройство поддерживает температуру около 7°C)
	Комфортный режим (установлена желаемая температура)
	Режим ЭКО (поддерживает температуру на 3,5 °C ниже комфортной. Этот режим снижает температуру, не нарушая нужной температуры в комфортном режиме).
	Режим P (Значок P означает, что прибор работает в комфортном режиме по умолчанию (кроме Франции))
	Блокировка кнопок
	Функция обнаружения окна
	Индикатор нагрева. Этот значок появляется на экране, когда прибор нагревается. Когда температура окружающего воздуха достигает заданного значения, значок исчезает.
	Температура (по Цельсию)

Еженедельные персонализированные режимы



Активный комфортный режим

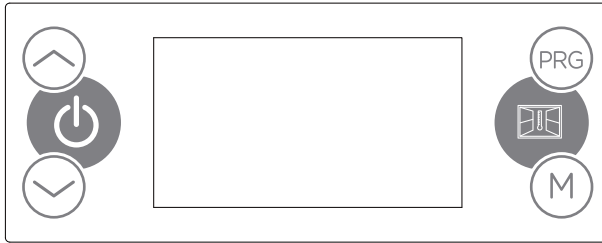





Активный режим ЭКО



Режим ожидания

Панель управления



Символ	Значение
Коснитесь 	Установка времени, дня недели, температуры или выбор комфортного режима, режима ЭКО или режима ожидания в еженедельных персонализированных программах.
Коснитесь 	Переход в режим ожидания
Коснитесь PRG	Выбор еженедельной персонализированной программы
Коснитесь 	Функция обнаружения окна
Коснитесь M	Выбор рабочего режима Комфортный /Еco / защита от замерзания / P1 / P2 / P3 / P



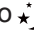
ИСПОЛЬЗОВАНИЕ

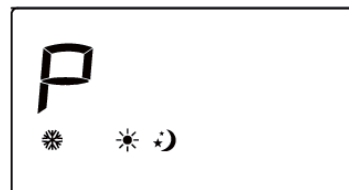
При первом использовании устройства может появиться запах. Запах исчезнет после того, как обогреватель поработает в течение часа.

I. Настройка режима

1. При первом использовании после подключения устройства к источнику питания и установки времени обогреватель будет находиться в режиме ожидания. Нажмите кнопку режима ожидания, чтобы перейти к комфортному режиму.

Примечания. При сбоях в электропитании устройство сохраняет только настройки параметров, температуры и рабочего режима. После восстановления питания необходимо заново настроить часы для правильной работы персонализированных программ P1/ P2/ P3.

2. Нажимайте кнопку M для переключения между режимами: Комфортный режим , Eco  Режим защиты от замерзания  P1/P2/P3/P. Значок P означает, что прибор работает в комфортном режиме по умолчанию (кроме Франции).

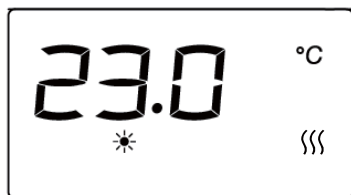


II. Настройка температуры Когда комнатная температура превышает установленную, устройство прекращает обогрев.ng

1. В комфортном режиме или режиме ЭКО (кроме режима защиты от замерзания) нажмите \wedge или \vee , чтобы выбрать желаемую температуру. Разница температур между режимом ЭКО и комфортным режимом составляет 3,5 °C, поэтому температура в режиме ЭКО может быть установлена в диапазоне от 1,5 °C до 25,5 °C.
2. Нажмите любую кнопку, кроме \wedge/\vee , чтобы завершить настройку, или параметры автоматически сохранятся через 5 секунд.

Когда комнатная температура превышает установленную, устройство прекращает обогрев.

Когда комнатная температура превышает установленную, устройство прекращает обогрев.



III. Настройка времени

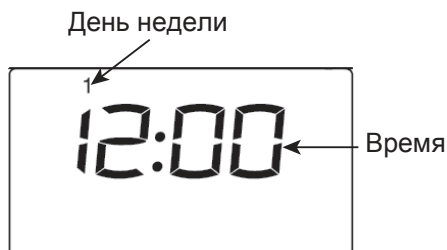
Примечание:

Нажмите \wedge , чтобы установить часы/минуты/день недели.

Настройки времени и дня недели сохраняются до отключения питания.

Настройки времени и дня недели применяются для всех программ (см. раздел IV, персонализированные программы P1 / P2 / P3).

1. Одновременно нажмите \wedge и \vee , чтобы включить настройку времени.
2. Продолжайте нажимать \wedge для переключения между часами/минутами/днями недели.
3. Нажмите \vee , чтобы установить часы/минуты/день недели.



Выбор	Отображаемый символ
Понедельник	1
Вторник	2
Среда	3
Четверг	4
Пятница	5
Суббота	6
Воскресенье	7
Час	00-23
Минута	00-59

4. Нажмите любую кнопку, кроме \wedge/\vee , чтобы завершить настройку, или параметры автоматически сохранятся через 10 секунд.

IV. Настройка программы

1. Предустановленные программы P1/P2/P3

P1	Пн - Вс	
P2	рабочие дни	
	выходные	
P3	рабочие дни	
	выходные	

Программы P1 / P2 / P3 являются предустановленными. После подтверждения программы на экране появится символ программы и установленная температура.

2. Настройка персонализированной программы

Нажмите кнопку PRG, чтобы выбрать «день (1-7)» или «режим обогрева для разных промежутков времени (00:00-24:00)».

Выберите желаемый день (1-7) или режим обогрева при помощи кнопок \wedge/\vee .

При настройке «режима обогрева для разных промежутков времени (00:00-24:00)» нажмите кнопку \wedge , чтобы выбрать часы, и \vee , чтобы выбрать

режим: комфортный , экономичный и режим ожидания . Через 30 секунд устройство автоматически выйдет из режима настройки.

Например, чтобы выбрать день 1, температуру 23°C, комфортный режим на 24 часа:

1. Нажмите кнопку PRG, затем \wedge/\vee , чтобы выбрать день 1.

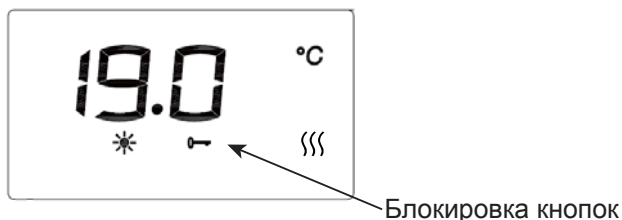


2. Нажмите кнопку PRG еще раз, нажмите \wedge , чтобы выбрать час, \vee , чтобы выбрать комфортный режим, затем повторите для всех 24 часов.
3. Через 30 секунд бездействия настройки автоматически сохранятся.

Примечания. При сбоях в электропитании устройство сохраняет только настройки параметров, температуры и рабочего режима. После восстановления питания необходимо заново настроить часы для правильной работы персонализированных программ P1/ P2/ P3.

V: Блокировка кнопок


Нажмите и удерживайте кнопку M в течение 3 секунд, чтобы включить функцию блокировки кнопок \rightarrow . Чтобы снять блокировку, нажмите и удерживайте кнопку M в течение 3 секунд еще раз.



Примечания.:

1. Функция блокировки кнопок не блокирует кнопку режима ожидания.
 2. Функция блокировки кнопок автоматически отключается при следующих обстоятельствах:
 - 1) если устройство отключено нажатием на кнопку режима ожидания;
 - 2) если питание устройства было отключено.
- В случае необходимости нажмите и удерживайте кнопку M в течение 3 секунд, чтобы активировать функцию снова.

VI: Функция обнаружения окна

Нажмите  кнопку для включения функции обнаружения открытого окна. Устройство по умолчанию перейдет в комфортный режим. Теперь при резком снижении температуры устройство будет автоматически переходить в режим защиты от промерзания, а при повышении — назад в комфортный режим.

С помощью кнопок M и PRG можно выбрать другие режимы работы или нажать кнопку режима ожидания для перевода устройства в этот режим.

ПРИМЕЧАНИЕ: при работе функции обнаружения открытого окна проводное дистанционное управление устройством недоступно.

VI: Подсветка

Подсветка автоматически выключается:

1. Через 60 секунд после блокировки кнопок.

Подсветка включается заново, когда система разблокируется.

2. Через 60 секунд после последнего нажатия на одну из основных кнопок.

Подсветка включается снова после нажатия на одну из кнопок.

VII: Действие настроек

Все вышеперечисленные параметры температуры, времени, дня недели и программы остаются в силе до тех пор, пока включен источник питания устройства.

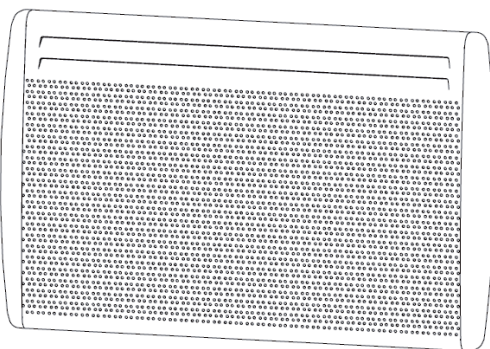
При сбоях в электропитании устройство сохраняет только настройки параметров, температуры и рабочего режима. После восстановления питания необходимо заново настроить часы для правильной работы персонализированных программ P1/ P2/ P3.

Выполните блокировку кнопок после завершения настройки, чтобы избежать отключения какой-либо функции из-за случайного нажатия на одну из кнопок.



Подробнее...

Техническая информация	19
Уход и очистка	19
Защита окружающей среды	20



Технические характеристики

№ модели	Напряжение и частота	Мощность (Ватт)	Размеры устройства В x Ш x Г (мм)	Класс	IP
NE10EPC	220-240 В~, 50/60 Гц	840-1000Вт	450x570x110	Двойная изоляция КЛАСС II	IPX4
NE15EPC	220-240 В~, 50/60 Гц	1250-1500Вт	450x720x110	Двойная изоляция КЛАСС II	IPX4
NE20EPC	220-240 В~, 50/60 Гц	1680-2000Вт	450x870x110	Двойная изоляция КЛАСС II	IPX4
NE5EPC	220-240 В~, 50/60 Гц	420-500Вт	450x400x110	Двойная изоляция КЛАСС II	IPX4
NE10PCS	220-240 В~, 50/60 Гц	840-1000Вт	283x790x110	Двойная изоляция КЛАСС II	IPX4

УХОД И ОЧИСТКА

1. Перед очисткой отключите устройство от источника электросети и дождитесь, пока оно полностью остынет.
2. Для чистки корпуса устройства используйте влажную ткань.
3. Регулярно очищайте решетку и вентиляционные отверстия.
4. Не используйте для очистки устройства воду, жидкости, абразивные чистящие средства и химические вещества (спирт, бензин и т.д.).

ЗАЩИТА ОКРУЖАЮЩЕЙ СРЕДЫ

Этот символ называется "перечеркнутый мусорный ящик на колесах". Изделие или батарею, на которой он присутствует, нельзя выбрасывать вместе с обычными бытовыми отходами. Некоторые химические вещества, входящие в состав электрических/электронных изделий и батарей, могут быть вредными для здоровья людей и окружающей среды. Сдавайте электрические/электронные изделия и батареи в специальные пункты приема для надлежащей переработки и утилизации содержащихся в них материалов. Ваше активное участие является залогом успеха природоохранных мероприятий и сохранения окружающей среды.



Приведенная выше инструкция предназначена ТОЛЬКО для использования в России.

Дату изготовления (месяц.год) смотри на упаковке

ггНхх: Код даты изготовления; год изготовления (гг) и неделя изготовления (Нхх)

Срок службы при условии соблюдения требований.

инструкции - 2000 часов.

Гарантия: 2 года.

.Производитель \ продавец товара не несет ответственности за причинение ущерба здоровью или имуществу вследствие эксплуатации товара по истечению срока службы



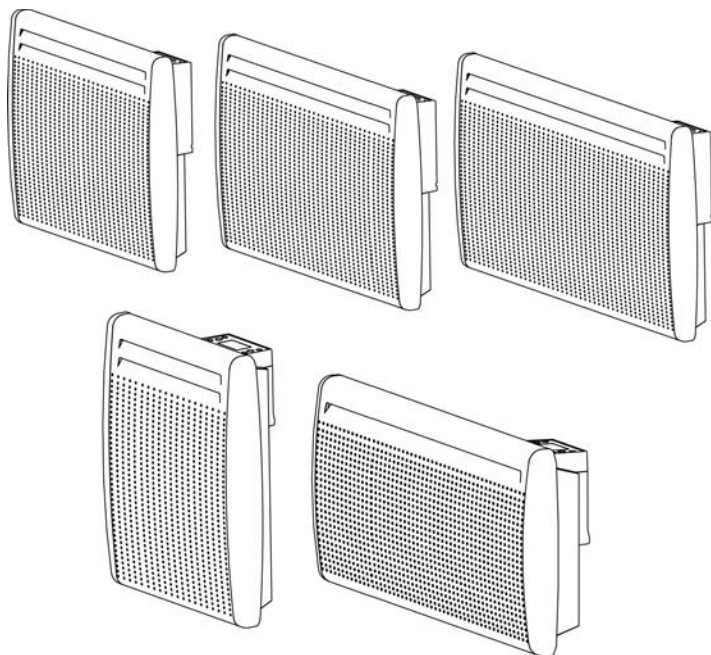
EAC - Соответствует всем требуемым Техническим регламентам Таможенного союза ЕврАзЭС.



Дистрибьютор:
Импортер: ООО “Касторама РУС”
Дербеневская наб., дом 7, стр 8
Россия, Москва, 115114
www.castorama.ru

Изготовитель для России: Джимерит Электрик
Мануфакчуриг Ко., Лтд
Адрес: №.3 Б10-1-02, Жийую Индастриал Зон,
Ксичонг Вилладж Коммитти, Лунжао Таун, Шунде,
Фошан, Гуангдонг, КНР
Произведено в КНР
Допускаются незначительные отклонения в
указанных размерах

PANEL RADIANTE



NE10EPC 840-1000W 3663602912941
NE15EPC 1250-1500W 3663602912958
NE20EPC 1680-2000W 3663602912965
NE5EPC 420-500W 3663602688549
NE10PCS 840-1000W 3663602688570

Comencemos...

Estas instrucciones son para su seguridad. Por favor, léalas por completo antes de utilizar el producto y guárdelas para futura referencia.



Comienzo...

02

Seguridad

03

Antes de comenzar

06

Inicio rápido

11



Con más detalle...

17

Información técnica y legal

18

Cuidado y limpieza


24

Protección del medio ambiente

25

POR FAVOR, LEA LAS SIGUIENTES INSTRUCCIONES CON ATENCIÓN ANTES DE UTILIZAR EL APARATO.

- **Este aparato puede ser utilizado por niños de a partir de 8 años de edad en adelante y personas con capacidades físicas, sensoriales o mentales reducidas o falta de experiencia y conocimiento si han sido supervisados o instruidos acerca del uso del aparato de una manera segura y comprenda los peligros involucrados. Los niños no deben jugar con el aparato. La limpieza y mantenimiento del aparato no será realizado por niños sin supervisión.**
- **Los niños de menos de 3 años de edad deben mantenerse lejos al menos que estén supervisados continuamente.**
- **Los niños de 3 años y menos de 8 años sólo podrán encender / apagar el aparato, siempre que haya sido colocado o instalado en su posición normal de funcionamiento prevista y que sean supervisados o instruidos acerca del uso del aparato de una forma segura y entiendan los riesgos involucrados.**
- **Los niños de 3 años y menos de 8 años no podrán conectar, regular y limpiar el aparato o realizar ningún tipo mantenimiento del aparato.**

- **PRECAUCIÓN** - Algunas partes de este producto pueden llegar a estar muy calientes y causar quemaduras. Prestar particular atención en aquellos lugares donde los niños y las personas vulnerables están presentes.
- Si el cable está dañado, debe ser reemplazado por el fabricante, su agente de servicio o una persona de cualificación similar para evitar peligros.
- El aparato no debería colocarse justo debajo de una toma de corriente.
-  **ADVERTENCIA** : Para evitar el sobrecalentamiento, no tape el radiador.
- No utilice este radiador con un programador, un temporizador, un sistema de control remoto separado ni otro dispositivo que permita encender el radiador automáticamente, porque podría producirse un incendio si el aparato está tapado o incorrectamente colocado.
- **PRECAUCIÓN**: Para evitar accidentes provocados por la reactivación accidental de la desconexión térmica, este aparato no debe estar alimentado a través de un dispositivo externo, como un temporizador, y tampoco se debe conectar a un circuito que sea encendido y apagado por este accesorio.

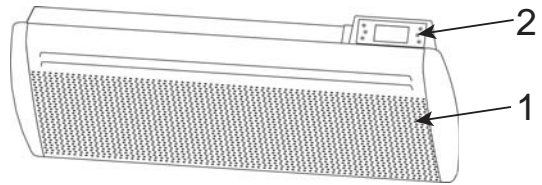
- **Este radiador no debe eliminarse con la basura doméstica; debe llevarse a un centro local de recuperación y reciclaje de aparatos eléctricos.**
- **El radiador se debe instalar de modo que los interruptores y otros controles no los pueda tocar una persona que está en la bañera o la ducha.**
- **Si se instala en un cuarto de baño, hay que utilizar un RCD de 30 mA.**
- **Para conocer los detalles sobre cómo instalar el aparato en la pared, consulte el apartado "INSTALACIÓN" en las páginas 7-10.**
Nota: el dibujo de abajo es sólo para referencia. Le sugerimos que se ponga en contacto con un electricista profesional para cualquier ayuda .

Lista de informaciones a comprobar antes de comenzar

- ✓ Para uso exclusivamente doméstico.
- ✓ Nunca deje que niños ni personas discapacitadas para operar el aparato, lo utilicen sin supervisión.
- ✓ Por favor, deseche las bolsas de plástico con cuidado y manténgalas alejadas de los niños.

Su producto

1. Estructura principal
2. Panel de control
3. Conjuntos para montar en la pared



NE10EPC/NE15EPC NE10PCS
/NE20EPC



NE5EPC



3

Descripción	Dibujo	Cantidad		
		NE10EPC /NE15EPC /NE20EPC	NE5EPC	NE10PCS
Tornillo		4	3	2
Taco		4	3	2

INSTALACIÓN DEL APARATO

- Este aparato debe usarse solo en interiores.
- Respete las distancias mínimas que se indican en la fig. 1.
- En lugares como cuartos de baño húmedos, lavanderías o cocinas, instale el aparato al

menos a 250 mm sobre el nivel del suelo.

- No instale la unidad en un lugar en el que el haya corrientes de aire que puedan afectar a su regulación (por ejemplo, debajo de un aparato de aire acondicionado)

Precaución: Realice una instalación profesional cumpliendo las normas de instalación del país respectivo (NF C 15 100 en Francia o la norma equivalente en otros países)



FIG 1

INSTALACIÓN

Para colgar el radiador en la pared:

1. Seleccione el lugar adecuado para instalar el radiador. (Figura 1)
2. Desmonte el soporte de pared aflojando el tornillo (no lo quite, solo aflójelo) y deslice la placa de metal para sacarla del orificio. Saque el soporte tirando hacia abajo (figura 2).
3. Compruebe que el soporte esté perfectamente horizontal utilizando un nivel de burbuja, y marque en la pared la posición de los orificios (4 orificios para los modelos NE10EPC/NE15EPC/NE20EPC, 3 orificios para el NE5EPC, 2 orificios para el NE10PCS). Inserte

los tacos en los orificios y después atornille de forma segura el soporte a la pared. (Figura 3)

4. Coloque el radiador contra el soporte (figura 4):

A: Alinee el radiador sobre los ganchos inferiores que están hacia abajo.

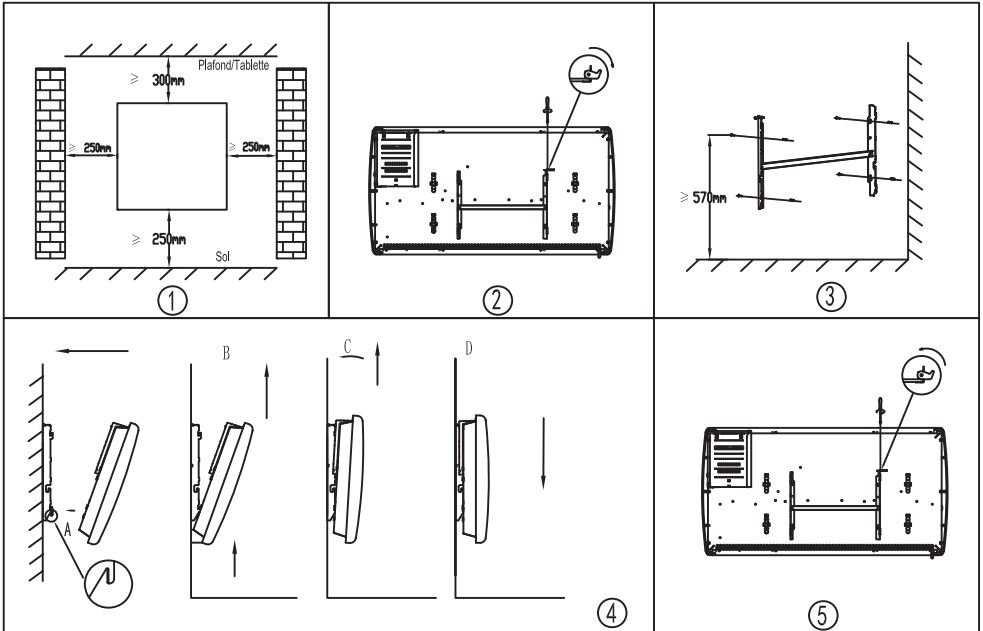
B: Tire hacia arriba del radiador, manteniéndolo en los 2 ganchos inferiores.

C: Alinee el radiador sobre los ganchos superiores que están hacia arriba.

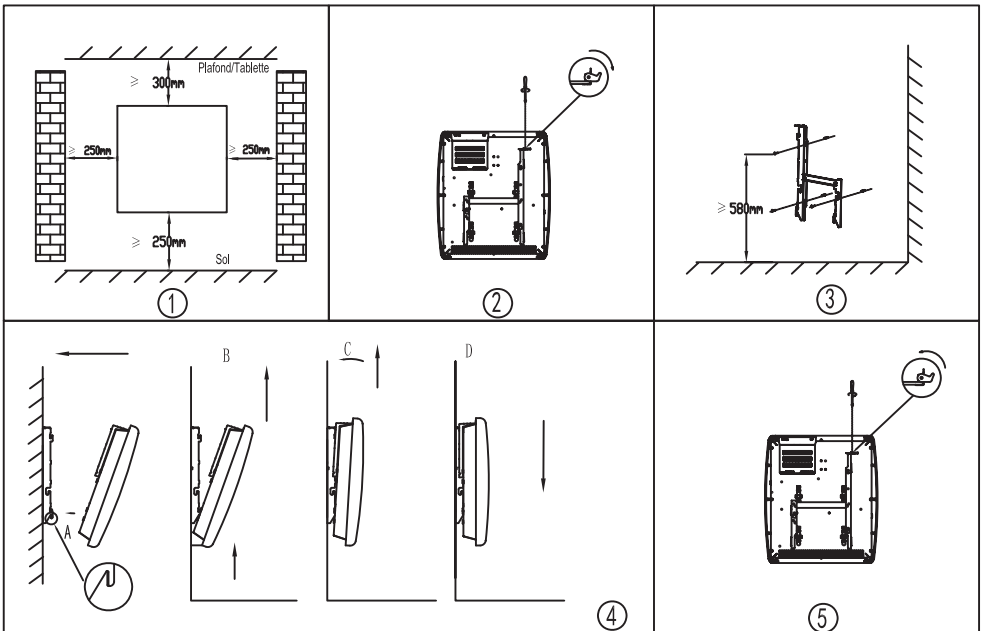
D: Tire del radiador hacia abajo.

5. Deslice la plaza metálica para introducirla en el orificio y apriete el tornillo para bloquear el soporte de pared (figura 5).

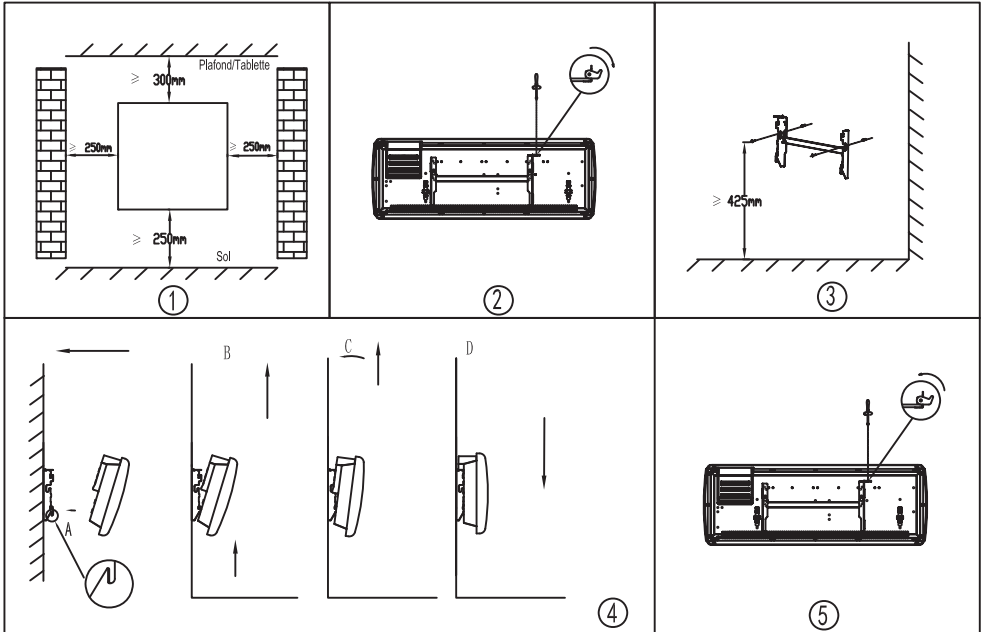
ELEMENTOS DE SUJECIÓN PARA EL NE10EPC/NE15EPC/NE20EPC



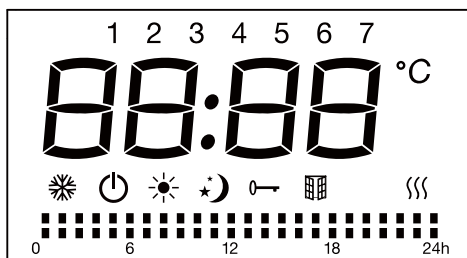
ELEMENTOS DE SUJECIÓN PARA EL NE5EPC



ELEMENTOS DE SUJECIÓN PARA EL NE10PCS



Pantalla LCD:



Funciones de los símbolos de la pantalla LCD:

Símbolo	Función
	Modo de espera (el aparato no está en funcionamiento pero está encendido)
	Modo anticongelación (el aparato mantiene la temperatura alrededor de 7°C)
	Modo Confort (ajuste de la temperatura deseada)
	Modo ECO (ECO mantiene una temperatura 3,5°C por debajo de la temperatura de Confort. Este modo reduce la temperatura sin alterar la temperatura deseada del modo Confort)
	Modo P (en el modo P, el aparato funcionará en el modo confort de manera predeterminada (excepto en Francia))
	Bloqueo del teclado
	Función de detección de ventanas
	Indicador de calentamiento (cuando el aparato está calentando aparece este símbolo en la pantalla. El símbolo desaparece cuando la temperatura detectada alcanza la temperatura ajustada).
	Temperatura (grados centígrados)

Modos personalizados semanales:



Modo Confort activo

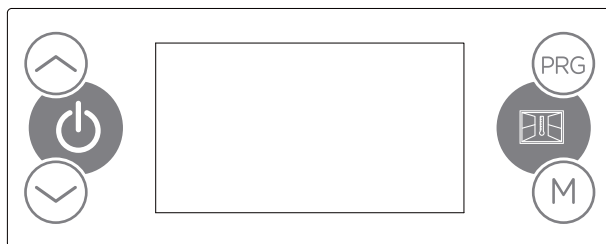


Modo ECO activo



En espera

Panel de control



Símbolo	Función
Tocar	Ajustar la hora, el día de la semana, la temperatura; o bien, en los programas personalizados semanales, para seleccionar el modo confort, el modo eco o el modo de espera.
Tocar	En espera
Tocar PRG	Para seleccionar el programa personalizado semanal
Tocar	Función de detección de ventanas
Tocar M	Para seleccionar el modo de funcionamiento confort / Eco anticongelación / P1 / P2 / P3 / P

INSTRUCCIONES DE USO

Cuando se usa el aparato por primera vez se produce un poco de olor. Este olor desaparecerá cuando el radiador haya estado funcionando durante una hora.

I. Ajuste del modo

1. La primera vez que utilice el aparato, después de conectarlo a la alimentación eléctrica y de haber ajustado el reloj, el aparato estará en el modo de espera y deberá pulsar el botón de espera para pasar al modo confort.

Notas: En caso de que se produzca un fallo de corriente, la unidad solo guarda en la memoria los parámetros, la temperatura y el modo de funcionamiento. Cuando se restablece la alimentación eléctrica, hay que ajustar de nuevo el reloj para que los diferentes programas P1/ P2/ P3/ personalizado funcionen correctamente.

2. Pulse el botón M para cambiar de un modo a otro: modo Confort _☀, Eco _☾ modo anticongelación _❄ P1/P2/P3/P.

En el modo P, el aparato funcionará en el modo confort de manera predeterminada (excepto en Francia).



II. Ajuste de la temperatura:

1. Estando en el modo Confort o en el modo Eco (excepto en el modo anticongelación), pulse \wedge o \vee para seleccionar la temperatura que desee. La diferencia de temperatura entre el modo ECO y el modo confort es $3,5^{\circ}\text{C}$, por lo que la temperatura del modo ECO está entre $1,5^{\circ}\text{C}$ y $25,5^{\circ}\text{C}$.
 2. Pulse otros botones, excepto \wedge / \vee para finalizar el ajuste, o se guardará automáticamente al cabo de 5 segundos.
- Cuando la temperatura ambiente sea mayor que la temperatura seleccionada, el radiador dejará de calentar.



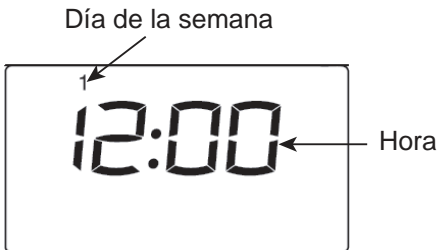
III. Ajuste de la hora

Nota:

Pulse \wedge para ajustar la hora/minuto/semana.

La hora y el día de la semana siguen siendo válidos mientras no se corte la alimentación eléctrica. El ajuste "día de la semana" y "hora" se aplica a todos los programas (consulte el apartado IV, P1 / P2 / P3 / personalizado).

1. Pulse \wedge y \vee al mismo tiempo para iniciar el ajuste.
2. Continúe pulsando \wedge para cambiar entre hora/minuto/semana.
3. Pulse \vee para ajustar la hora/minuto/semana.



Selección	Símbolo mostrado
Lunes	1
Martes	2
Miércoles	3
Jueves	4
Viernes	5
Sábado	6
Domingo	7
Hora	00-23
Minutos	00-59

4. Pulse otros botones excepto \wedge/\vee para finalizar el ajuste, o se guardará automáticamente al cabo de 10 segundos.

IV. Ajuste de programas

1. Programas preconfigurados P1/P2/P3

P1	<p>Mon-Sun</p>
P2	<p>day workables</p>
	<p>weekends</p>
P3	<p>day workables</p>
	<p>weekends</p>

Los programas P1 / P2 / P3 están preconfigurados. Después de confirmar el programa, se visualiza en la pantalla el símbolo del programa y la temperatura ajustada.

2. Ajuste del programa personalizado

Pulse el botón PRG para seleccionar entre "día (1-7)" y el "modo de calentamiento de los diferentes periodos (00:00-24:00)".

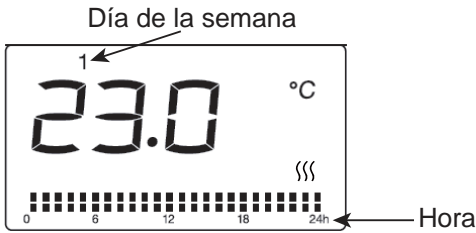
Seleccione el día que desee (1-7) o el modo de calentamiento pulsando los botones \wedge/\vee .

Cuando ajuste el "modo de calentamiento de los diferentes periodos (00:00-24:00)", pulse el botón \wedge para seleccionar las horas, y \vee para seleccionar la función:

confort , económico  y modo de espera . Al cabo de 30 segundos, finalizará automáticamente.

Por ejemplo: para seleccionar el día 1, la temperatura de 23°C, el modo confort durante 24 horas:

1. Pulse PRG y, a continuación, \wedge/\vee para seleccionar el día 1.



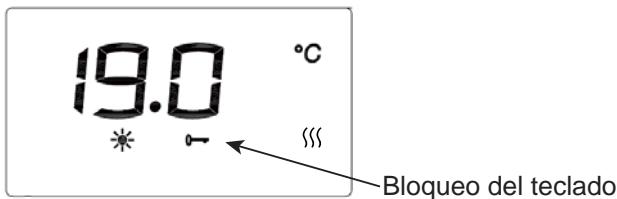
2. Pulse de nuevo el botón PRG, pulse \wedge para seleccionar la hora, \vee para seleccionar el modo confort y después repita para 24 horas.

3. Al cabo de 30 segundos sin que se realice ninguna acción, se guarda el ajuste.

Notas: En caso de que se produzca un fallo de corriente, la unidad solo guarda en la memoria los parámetros, la temperatura y el modo de funcionamiento. Cuando se restablece la alimentación eléctrica, hay que ajustar de nuevo el reloj para que los diferentes programas P1/ P2/ P3/ personalizado funcionen correctamente..

V: Bloqueo del teclado

Pulse el botón M durante tres segundos para activar la función de bloqueo del teclado \rightarrow . Para desbloquearlo, vuelva a pulsar M durante tres segundos.



Notas:

1. La función de bloqueo del teclado no bloquea el botón de espera \downarrow .


2. La función de bloqueo se desactivará automáticamente en las circunstancias siguientes:

1) el aparato se apaga pulsando el botón de espera \downarrow .

2) el aparato se desconecta de la alimentación eléctrica

Si necesita esta función, deberá volver a ajustarla pulsando M durante 3 segundos.

VI: Función de detección de ventanas

Pulse  el botón para entrar en la función de detección de ventanas. El aparato entrará por defecto en el modo de confort. Si se detecta que baja la temperatura, el aparato pasará automáticamente al modo anticongelación. Si la temperatura aumenta, el aparato regresará al modo de confort.

Para seleccionar otros modos, puede pulsar los botones M o PRG, o bien pulsar el botón del modo de espera para pasar al modo de espera.

NOTA: en la función de detección de ventanas no está disponible el control piloto.

VII: Luz de fondo

La luz de fondo se apaga automáticamente:

1. 60 segundos después de bloquear el teclado

La luz de fondo se reactiva cuando se desbloquea el sistema.

2. 60 segundos después del último uso de las teclas frontales.

La luz de fondo se reactiva cuando se acciona una tecla.

VIII: Confirmación de los ajustes

Todos los ajustes anteriores de temperatura, hora, día de la semana y programas siguen siendo válidos mientras no se interrumpa la alimentación eléctrica.

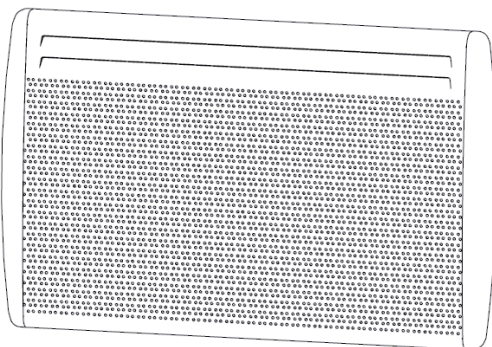
En caso de que se produzca un fallo de corriente, el aparato solo guarda en la memoria los parámetros, la temperatura y el modo de funcionamiento. Cuando se restablece la alimentación eléctrica, hay que configurar de nuevo el reloj para que los diferentes programas P1/ P2/ P3/ personalizado funcionen correctamente.

Bloquee el teclado después de hacer las selecciones para evitar que se desactiven los ajustes involuntariamente pulsando alguna tecla.



Con más detalle...

Información técnica y legal	18
Cuidado y limpieza	24
Protección del medio ambiente	25



Especificaciones técnicas

N.º de modelo	Tensión y frecuencia	Alimentación (vatios)	Dimensiones del producto Al x An x P (mm)	Clase	IP
NE10EPC	220-240V~ 50/60Hz	840-1000W	450x570x110	Doble aislamiento CLASE II	IPX4
NE15EPC	220-240V~ 50/60Hz	1250-1500W	450x720x110	Doble aislamiento CLASE II	IPX4
NE20EPC	220-240V~ 50/60Hz	1680-2000W	450x870x110	Doble aislamiento CLASE II	IPX4
NE5EPC	220-240V~ 50/60Hz	420-500W	450x400x110	Doble aislamiento CLASE II	IPX4
NE10PCS	220-240V~ 50/60Hz	840-1000W	283x790x110	Doble aislamiento CLASE II	IPX4

Requisitos de información que deben cumplir los aparatos de calefacción local eléctricos

Identificador(es) del modelo: NE10EPC					
Partida	Símbolo	Valor	Unidad	Partida	Unidad
Potencia calorífica				Tipo de aportación de calor, únicamente para los aparatos de calefacción local eléctricos de acumulación (seleccione uno)	
Potencia calorífica nominal	P_{nom}	0,5	kW	control manual de la carga de calor, con termostato integrado	N.A.
Potencia calorífica mínima (indicativa)	P_{min}	0	kW	control manual de la carga de calor con respuesta a la temperatura interior o exterior	N.A.
Potencia calorífica máxima continuada	$P_{max,c}$	0,5	kW	control electrónico de la carga de calor con respuesta a la temperatura interior o exterior	N.A.
Consumo auxiliar de electricidad				potencia calorífica asistida por ventiladores	N.A.
A potencia calorífica nominal	eI_{max}	N.A.	kW	Tipo de control de potencia calorífica/de temperatura interior (seleccione uno)	
A potencia calorífica mínima	eI_{min}	N.A.	kW	potencia calorífica de un solo nivel, sin control de temperatura interior	[no]
En modo de espera	eI_{sb}	0	kW	Dos o más niveles manuales, sin control de temperatura interior	[no]
				con control de temperatura interior mediante termostato mecánico	[no]
				con control electrónico de temperatura interior	[no]
				control electrónico de temperatura interior y temporizador diario	[no]
				control electrónico de temperatura interior y temporizador semanal	[sí]
				Otras opciones de control (pueden seleccionarse varias)	
				control de temperatura interior con detección de presencia	[no]
				control de temperatura interior con detección de ventanas abiertas	[sí]
				con opción de control a distancia	[no]
				con control de puesta en marcha adaptable	[no]
				con limitación de tiempo de funcionamiento	[no]
				con sensor de lámpara negra	[no]
Información de contacto	Kingfisher International Products Limited 3 Sheldon Square, London W2 6PX, United Kingdom				

Requisitos de información que deben cumplir los aparatos de calefacción local eléctricos

Identificador(es) del modelo: NE15EPC					
Partida	Símbolo	Valor	Unidad	Partida	Unidad
Potencia calorífica				Tipo de aportación de calor, únicamente para los aparatos de calefacción local eléctricos de acumulación (seleccione uno)	
Potencia calorífica nominal	P_{nom}	0,8	kW	control manual de la carga de calor, con termostato integrado	N.A.
Potencia calorífica mínima (indicativa)	P_{min}	0	kW	control manual de la carga de calor con respuesta a la temperatura interior o exterior	N.A.
Potencia calorífica máxima continuada	$P_{max,c}$	0,8	kW	control electrónico de la carga de calor con respuesta a la temperatura interior o exterior	N.A.
Consumo auxiliar de electricidad				potencia calorífica asistida por ventiladores	N.A.
A potencia calorífica nominal	eI_{max}	N.A.	kW	Tipo de control de potencia calorífica/de temperatura interior (seleccione uno)	
A potencia calorífica mínima	eI_{min}	N.A.	kW	potencia calorífica de un solo nivel, sin control de temperatura interior	[no]
En modo de espera	eI_{SB}	0	kW	Dos o más niveles manuales, sin control de temperatura interior	[no]
				con control de temperatura interior mediante termostato mecánico	[no]
				con control electrónico de temperatura interior	[no]
				control electrónico de temperatura interior y temporizador diario	[no]
				control electrónico de temperatura interior y temporizador semanal	[sí]
				Otras opciones de control (pueden seleccionarse varias)	
				control de temperatura interior con detección de presencia	[no]
				control de temperatura interior con detección de ventanas abiertas	[sí]
				con opción de control a distancia	[no]
				con control de puesta en marcha adaptable	[no]
				con limitación de tiempo de funcionamiento	[no]
				con sensor de lámpara negra	[no]
Información de contacto	Kingfisher International Products Limited 3 Sheldon Square, London W2 6PX, United Kingdom				

Requisitos de información que deben cumplir los aparatos de calefacción local eléctricos

Identificador(es) del modelo: NE20EPC					
Partida	Símbolo	Valor	Unidad	Partida	Unidad
Potencia calorífica				Tipo de aportación de calor, únicamente para los aparatos de calefacción local eléctricos de acumulación (seleccione uno)	
Potencia calorífica nominal	P_{nom}	1,1	kW	control manual de la carga de calor, con termostato integrado	N.A.
Potencia calorífica mínima (indicativa)	P_{min}	0	kW	control manual de la carga de calor con respuesta a la temperatura interior o exterior	N.A.
Potencia calorífica máxima continuada	$P_{max,c}$	1,1	kW	control electrónico de la carga de calor con respuesta a la temperatura interior o exterior	N.A.
Consumo auxiliar de electricidad				potencia calorífica asistida por ventiladores	N.A.
A potencia calorífica nominal	eI_{max}	N.A.	kW	Tipo de control de potencia calorífica/de temperatura interior (seleccione uno)	
A potencia calorífica mínima	eI_{min}	N.A.	kW	potencia calorífica de un solo nivel, sin control de temperatura interior	[no]
En modo de espera	eI_{sb}	0	kW	Dos o más niveles manuales, sin control de temperatura interior	[no]
				con control de temperatura interior mediante termostato mecánico	[no]
				con control electrónico de temperatura interior	[no]
				control electrónico de temperatura interior y temporizador diario	[no]
				control electrónico de temperatura interior y temporizador semanal	[sí]
				Otras opciones de control (pueden seleccionarse varias)	
				control de temperatura interior con detección de presencia	[no]
				control de temperatura interior con detección de ventanas abiertas	[sí]
				con opción de control a distancia	[no]
				con control de puesta en marcha adaptable	[no]
				con limitación de tiempo de funcionamiento	[no]
				con sensor de lámpara negra	[no]
Información de contacto	Kingfisher International Products Limited 3 Sheldon Square, London W2 6PX, United Kingdom				

Requisitos de información que deben cumplir los aparatos de calefacción local eléctricos

Identificador(es) del modelo: NE5EPC					
Partida	Símbolo	Valor	Unidad	Partida	Unidad
Potencia calorífica				Tipo de aportación de calor, únicamente para los aparatos de calefacción local eléctricos de acumulación (seleccione uno)	
Potencia calorífica nominal	P_{nom}	0,3	kW	control manual de la carga de calor, con termostato integrado	N.A.
Potencia calorífica mínima (indicativa)	P_{min}	0	kW	control manual de la carga de calor con respuesta a la temperatura interior o exterior	N.A.
Potencia calorífica máxima continuada	$P_{max,c}$	0,3	kW	control electrónico de la carga de calor con respuesta a la temperatura interior o exterior	N.A.
Consumo auxiliar de electricidad				potencia calorífica asistida por ventiladores	N.A.
A potencia calorífica nominal	eI_{max}	N.A.	kW	Tipo de control de potencia calorífica/de temperatura interior (seleccione uno)	
A potencia calorífica mínima	eI_{min}	N.A.	kW	potencia calorífica de un solo nivel, sin control de temperatura interior	[no]
En modo de espera	eI_{SB}	0	kW	Dos o más niveles manuales, sin control de temperatura interior	[no]
				con control de temperatura interior mediante termostato mecánico	[no]
				con control electrónico de temperatura interior	[no]
				control electrónico de temperatura interior y temporizador diario	[no]
				control electrónico de temperatura interior y temporizador semanal	[sí]
				Otras opciones de control (pueden seleccionarse varias)	
				control de temperatura interior con detección de presencia	[no]
				control de temperatura interior con detección de ventanas abiertas	[sí]
				con opción de control a distancia	[no]
				con control de puesta en marcha adaptable	[no]
				con limitación de tiempo de funcionamiento	[no]
				con sensor de lámpara negra	[no]
Información de contacto	Kingfisher International Products Limited 3 Sheldon Square, London W2 6PX, United Kingdom				

Requisitos de información que deben cumplir los aparatos de calefacción local eléctricos

Identificador(es) del modelo: NE10PCS					
Partida	Símbolo	Valor	Unidad	Partida	Unidad
Potencia calorífica				Tipo de aportación de calor, únicamente para los aparatos de calefacción local eléctricos de acumulación (seleccione uno)	
Potencia calorífica nominal	P_{nom}	0,5	kW	control manual de la carga de calor, con termostato integrado	N.A.
Potencia calorífica mínima (indicativa)	P_{min}	0	kW	control manual de la carga de calor con respuesta a la temperatura interior o exterior	N.A.
Potencia calorífica máxima continuada	$P_{max,c}$	0,5	kW	control electrónico de la carga de calor con respuesta a la temperatura interior o exterior	N.A.
Consumo auxiliar de electricidad				potencia calorífica asistida por ventiladores	N.A.
A potencia calorífica nominal	eI_{max}	N.A.	kW	Tipo de control de potencia calorífica/de temperatura interior (seleccione uno)	
A potencia calorífica mínima	eI_{min}	N.A.	kW	potencia calorífica de un solo nivel, sin control de temperatura interior	[no]
En modo de espera	eI_{sb}	0	kW	Dos o más niveles manuales, sin control de temperatura interior	[no]
				con control de temperatura interior mediante termostato mecánico	[no]
				con control electrónico de temperatura interior	[no]
				control electrónico de temperatura interior y temporizador diario	[no]
				control electrónico de temperatura interior y temporizador semanal	[sí]
				Otras opciones de control (pueden seleccionarse varias)	
				control de temperatura interior con detección de presencia	[no]
				control de temperatura interior con detección de ventanas abiertas	[sí]
				con opción de control a distancia	[no]
				con control de puesta en marcha adaptable	[no]
				con limitación de tiempo de funcionamiento	[no]
				con sensor de lámpara negra	[no]
Información de contacto	Kingfisher International Products Limited 3 Sheldon Square, London W2 6PX, United Kingdom				

CUIDADO Y LIMPIEZA

1. Antes de limpiar el aparato, desconecte la alimentación eléctrica y espere hasta que se haya enfriado completamente.
2. Utilice un paño húmedo para limpiar la carcasa del aparato.
3. Limpie regularmente las rejillas y la salida de aire.
4. No utilice agua, líquidos, detergentes abrasivos ni sustancias químicas (alcohol, gasolina, etc.) para la limpieza.

PROTECCIÓN DEL MEDIO AMBIENTE

El símbolo es conocido como el “símbolo del contenedor de ruedas tachado”. Cuando aparece este símbolo en un producto o en una batería, significa que no debería desecharse con la basura general del hogar. Algunas sustancias químicas contenidas en los productos electrónicos/eléctricos o en las baterías pueden ser perjudiciales para la salud y el medioambiente. Deseche los artículos eléctricos/electrónicos/con baterías en programas de recolección aparte, que estén dirigidos a la recuperación y reciclaje de los materiales que estos artículos contienen. Su cooperación es de vital importancia para garantizar el éxito de estos programas y para la protección del medioambiente.



La instrucción anterior es SOLO PARA USO en España.

yyWxx: Código de la fecha de fabricación; año de fabricación (yy) y semana de fabricación (Wxx)

Este producto tiene una garantía legal de 2 años a partir de la fecha de compra. La garantía cubre todas las faltas de conformidad del producto cuando el uso es conforme con el destino del producto y con las informaciones del manual de instrucción.

Para beneficiar de la garantía, es imprescindible presentar la prueba de compra (ticket de caja o factura) y el producto tiene que ser completo con todos sus accesorios.

La garantía no cubre los deterioros resultantes del uso normal, de la falta de mantenimiento, de una negligencia, de un montaje defectuoso, o de un uso inapropiado (choques, no respeto de las condiciones de uso, almacenamiento no adecuado...).

También están excluidos de la garantía los productos para los que se utiliza accesorios o piezas de recambio que no sean de origen o que no estén adaptadas al desmontaje o a la modificación del aparato.

Brico Dépôt queda responsable de los defectos de conformidad del producto según lo establecido por los artículos 114 a 124 del Real Decreto Legislativo 1/2007, de 16 de noviembre, por el que se aprueba el texto refundido de la Ley General para la Defensa de los Consumidores y Usuarios y otras leyes complementarias.

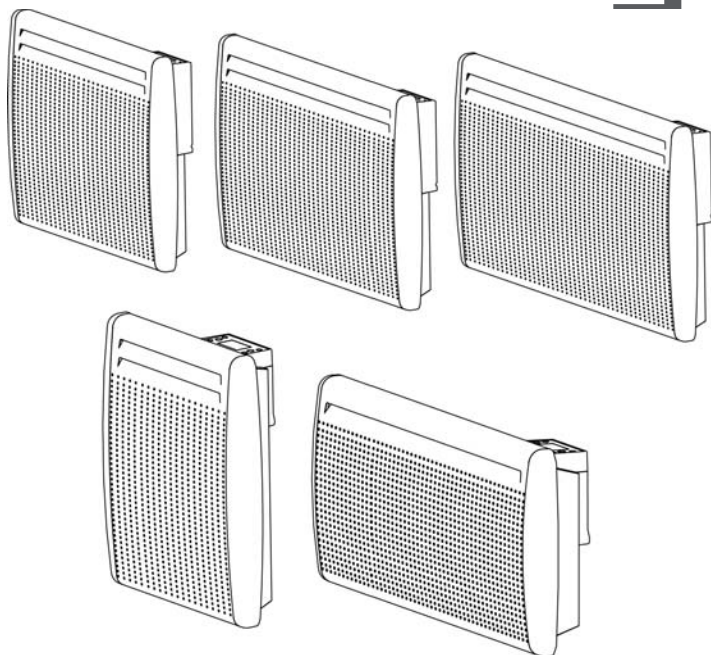


Fabricante: Kingfisher International Products Limited
3 Sheldon Square
London W2 6PX
Reino Unido



Distribuidor: **Euro Depot España, S.A.U.**
c/ La Selva, 10 - Edificio Inblau A 1a Planta
08820-El Prat de Llobregat
www.bricodepot.es

AQUECEDOR RADIANTE EM PAINEL DE ALUMÍNIO



NE10EPC 840-1000W 3663602912941
NE15EPC 1250-1500W 3663602912958
NE20EPC 1680-2000W 3663602912965
NE5EPC 420-500W 3663602688549
NE10PCS 840-1000W 3663602688570

Começemos...

Estas instruções são para sua segurança. Por favor, leia-as antes de utilizar o produto e guarde-as para referência futura.



Começo... **02**

Segurança 03

Antes de começar 06

Início rápido 11



Com mais detalhe... **17**

Informação técnica e legal 18


Cuidados e limpeza 24

Proteção ambiental 25

POR FAVOR, LEIA AS SEGUINTEs INSTRUÇÕES ANTES DE USAR O APARELHO.

- **Este dispositivo pode ser usado por crianças a partir de 8 anos e mais e pessoas com reduzidas capacidades físicas, sensoriais ou mentais ou falta de experiência e conhecimento, se tiverem recebido supervisão ou instruções relativas à utilização do aparelho de forma segura e entender os perigos envolvidos. As crianças não devem brincar com o aparelho. Limpeza e manutenção do aparelho não será realizada por crianças sem supervisão.**
- **As crianças com menos de 3 anos de idade deverão ser mantidas afastadas, a não ser que sejam constantemente supervisionadas.**
- **As crianças dos 3 aos 8 anos de idade só deverão ligar/desligar o aparelho se este for colocado ou instalado na sua posição normal de funcionamento, e se forem supervisionadas ou ensinadas a usar o aparelho de um modo seguro e compreendam os perigos envolvidos.**
- **As crianças dos 3 aos 8 anos de idade não deverão ligar à alimentação, afinar nem limpar o aparelho, nem deverão efetuar a manutenção.**
- **ATENÇÃO - algumas partes deste produto pode ser muito quente e causar queimaduras. Preste especial atenção nos locais onde se**

encontram as crianças e pessoas vulneráveis.

- Se o cabo de alimentação estiver danificado, deve ser substituído pelo fabricante, pelo agente autorizado ou pessoa qualificada para aaim se evitarem perigos.
- O aparelho não deverá ser colocado imediatamente abaixo de uma tomada.
-  **AVISO:** Para evitar o superaquecimento, não bloqueie o radiador.
- Não use este aquecedor com um programador, um temporizador, um sistema de controle remoto individual ou em outro dispositivo para ligar automaticamente o radiador, porque pode ocorrer um incêndio se o dispositivo estiver obstruído ou incorretamente colocado.
- **CUIDADO:** Para evitar qualquer perigo devido a um reajuste acidental do disjuntor térmico, este aparelho não deve ser acionado através de um dispositivo externo de ligação, como um temporizador, ou ligado a um circuito ligado e desligado pelos serviços públicos com regularidade.
- Este aquecedor não pode ser eliminado juntamente com o lixo doméstico comum. Deverá ser entregue num centro de recolha e reciclagem local para aparelhos elétricos.

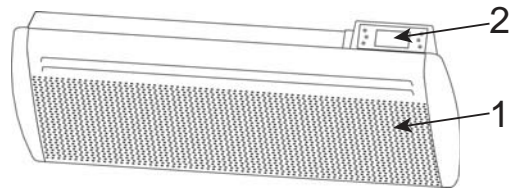
- **O radiador deve ser instalado de modo que os interruptores e outros controles não possam ser tocados por uma pessoa que esteja na banheira ou chuveiro.**
- **Se for colocado numa casa de banho, tem de usar um dispositivo de corrente residual de 30mA.**
- **Relativamente aos detalhes acerca da instalação do aparelho na parede, consulte "INSTALAÇÃO" nas páginas 7-10.**
Nota: A imagem serve apenas como referência. Sugerimos que contate com uma electricista qualificado para qualquer dúvida ou pedido de ajuda.

Coisas a verificar antes de começar

- ✓ Apenas para uso doméstico.
- ✓ Nunca permita que crianças ou pessoas incapazes de utilizar o aparelho em segurança o usem sem supervisão.
- ✓ Elimine cuidadosamente os sacos de plástico e mantenha-os afastados das crianças.

O seu produto

1. Estrutura
2. Painel de controlo
3. Kits de montagem na parede



NE10EPC/NE15EPC /NE20EPC NE10PCS



NE5EPC



3

Descrição	Esquema	Q.DE		
		NE10EPC /NE15EPC /NE20EPC	NE5EPC	NE10PCS
Parafuso		4	3	2
Bucha de parede		4	3	2

INSTALAR O APARELHO

- Este aparelho foi criado para ser usado apenas no interior.
- Observe as distâncias mínimas, conforme apresentado na Imagem 1.
- Em locais como uma casa de banho húmida,

lavandaria, cozinha, instale o aparelho a, pelo menos, 250 mm do nível do chão.

- Não instale a unidade em locais onde o fluxo do ar possa perturbar o seu funcionamento (por exemplo, por baixo de uma unidade de ar condicionado).

Cuidado: Efetue uma instalação profissional, de acordo com os padrões de instalação de cada país (NF C 15 100 para a França ou equivalente para os outros países).



FIG 1

INSTALAÇÃO

Para pendurar o aquecedor na parede:

1. Escolha um local adequado para o aquecedor. (Imagem 1)
2. Desmonte o suporte de parede desapertando o parafuso (não retire, desaperte apenas) e faça deslizar a placa de metal para fora do orifício). Retire o suporte puxando para fora (Imagem 2).
3. Certifique-se de que o suporte está completamente na horizontal usando um nível de bolha, e assinale a localização dos orifícios (4 orifícios para NE10EPC/NE15EPC/NE20EPC, 3 orifícios para NE5EPC, 2 orifícios para NE10PCS) na parede.

Insira a bucha nos orifícios, a seguir enrosque bem o suporte de fixação na parede. (Imagem 3)

4. Coloque o aquecedor contra o suporte (Imagem 4):

A : Alinhe o aquecedor nos ganchos inferiores virados para baixo.

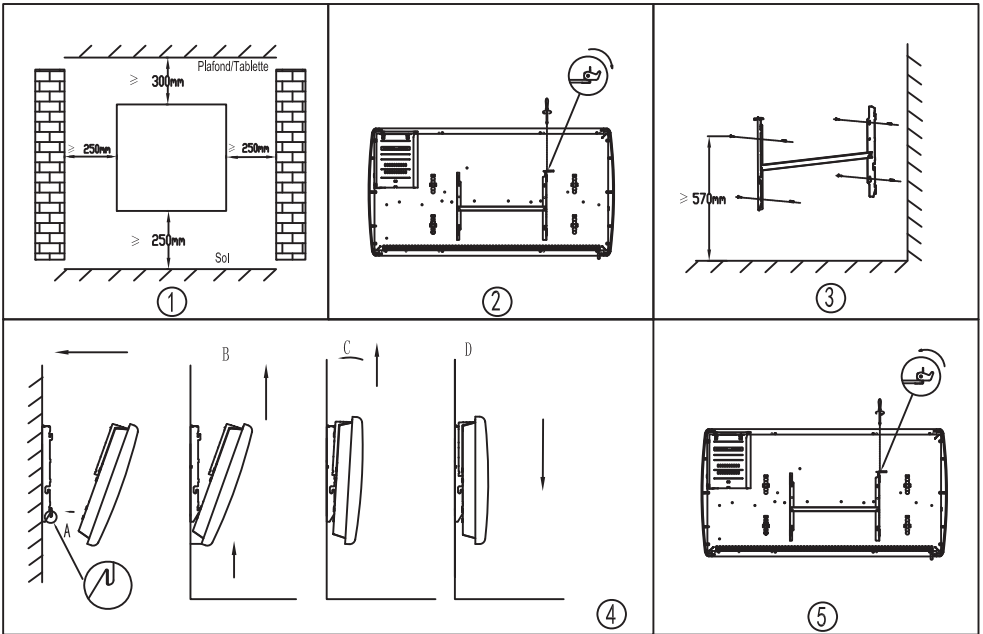
B : Puxe o aquecedor para cima enquanto o suporta nos ganchos inferiores.

C : Alinhe o aquecedor nos ganchos superiores virados para cima.

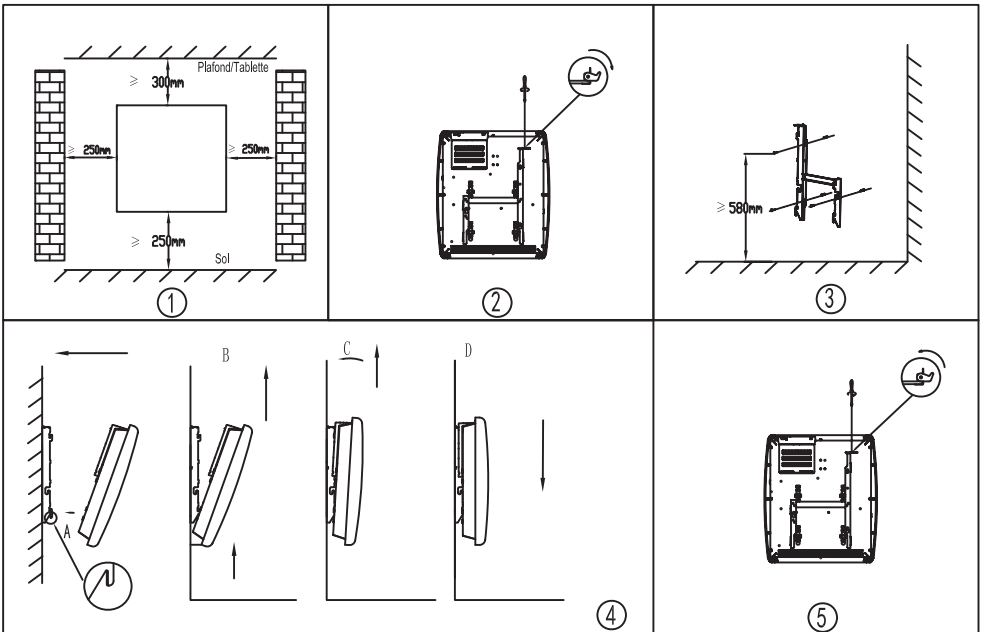
D : Puxe o aquecedor para baixo.

5. Faça deslizar a placa de metal para o orifício e aperte o parafuso para fixar o suporte de montagem na parede (Imagem 5).

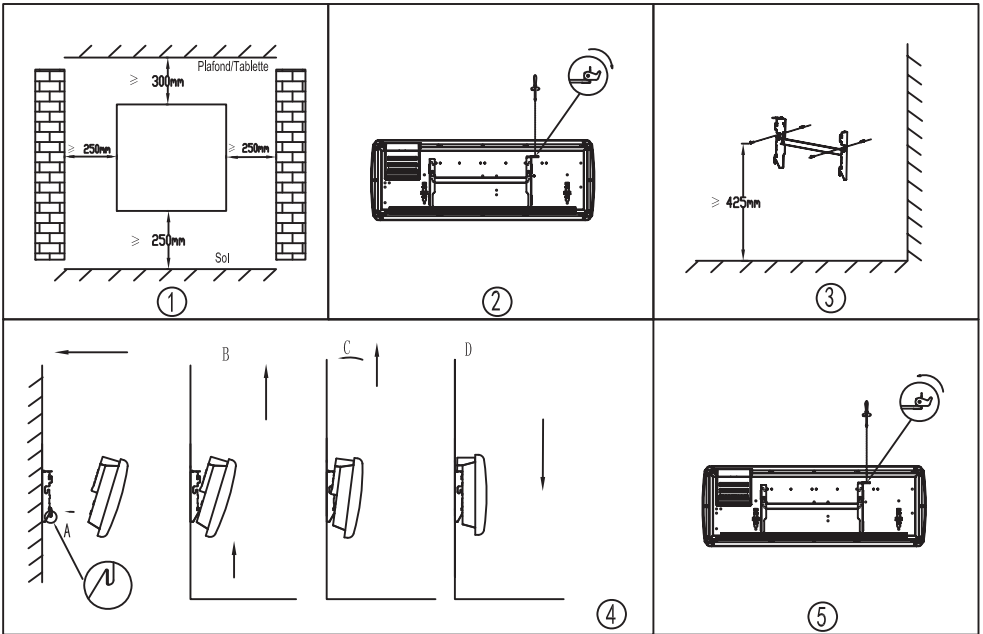
FIXADORES PARA NE10EPC/NE15EPC/NE20EPC



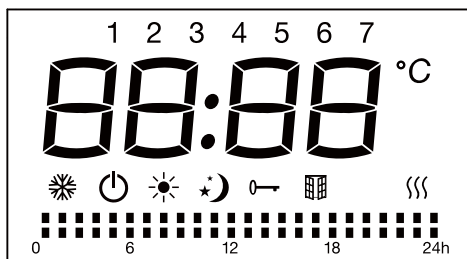
FIXADORES PARA NE5EPC








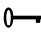

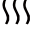

FIXADORES PARA NE10PCS






Ecrã LCD:



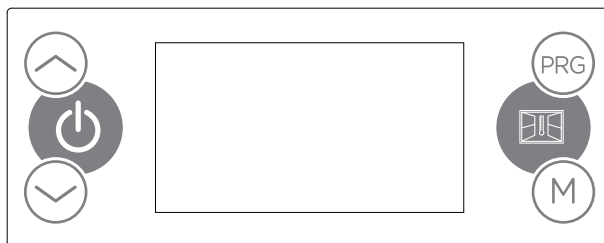
Funções dos ícones no LCD:

Símbolo	Função
	Modo de Espera (o aparelho está ligado, mas não funciona)
	Modo Anti-gelo (o aparelho mantém a temperatura por volta dos 7 °C)
	Modo Conforto (defina a temperatura desejada)
	Modo ECO (ECO mantém a temperatura 3,5 °C inferior à temperatura de conforto. Este modo reduz a temperatura sem perturbar a temperatura desejada no modo de conforto)
	Modo P (No modo P , o aparelho funciona por definição no modo de conforto (exceto para a França))
	Bloqueio do teclado
	Função de deteção de janelas
	Indicador de aquecimento (quando o aparelho está a aquecer, este ícone aparece no visor. O ícone desaparece quando a temperatura detetada atingir a temperatura definida.)
	Temperatura (Celsius)

Modos personalizados semanais:

-  Modo Conforto
-  Modo ECO ativo
-  Espera

Painel de controlo



Símbolo	Função
Tocar em	Definir as horas, dia da semana, a temperatura ou, nos programas personalizados semanais, para escolher entre o modo Conforto, Eco ou Espera.
Tocar em	Espera
Tocar em PRG	Escolher o programa personalizado semanal
Tocar em	Função de deteção de janelas
Tocar em M	Para seleccionar o modo de funcionamento conforto / Eco / anti-gelo / P1 / P2 / P3 / P

INSTRUÇÕES DE UTILIZAÇÃO

Durante a primeira utilização da máquina, será libertado algum odor. Este desaparecerá após o aquecedor funcionar durante uma hora.

I. Definir o modo

1. Quando usar o aparelho pela primeira vez, após ligar à alimentação e acertar o relógio, o aparelho entra no modo de espera e pode premir o botão de espera para entrar no modo Conforto.

Notas: No caso de falha de energia, a unidade mantém na memória apenas os parâmetros, temperatura e modo de funcionamento. Quando a energia voltar, o relógio deverá ser acertado de novo para utilizar devidamente os vários programas P1 / P2 / P3 / Personalizado.

2. Prima o botão M para alternar entre modos: Modo Conforto , modo Anti-gelo Eco P1/P2/P3/P.

No modo P , o aparelho funciona por definição no modo de conforto (exceto para a França).



II. Definições da temperatura

1. No modo Conforto ou modo Eco (excluindo o modo Anti-gelo), prima \wedge ou \vee para escolher a temperatura desejada. A diferença de temperatura entre o modo Eco e o modo Conforto é de 3,5 °C, assim, a temperatura do modo Eco encontra-se entre 1,5 °C e 25,5 °C.

2. Prima qualquer botão exceto \wedge/\vee para terminar o acerto, ou, passados 5 segundos, o aparelho guarda automaticamente.

Quando a temperatura ambiente for superior à temperatura selecionada, o aquecedor pára de aquecer.



III. Acertar a hora

Nota:

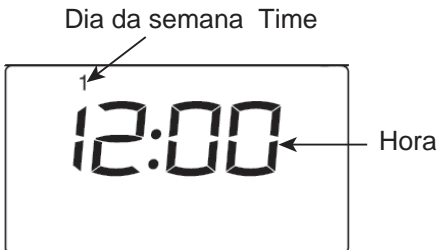
Prima \wedge para acertar as horas/minutos/semana.

As horas e dia da semana permanecem válidos enquanto a eletricidade não for abaixo. O acerto do "dia da semana" e das "horas" aplica-se a todos os programas (consulte a secção IV, P1 / P2 / P3 / Personalizado).

1. Prima \wedge e \vee em simultâneo para iniciar o acerto das horas.

2. Continue a premir para \wedge alternar entre horas/minutos/semana.

3. Prima \vee para acertar as horas/minutos/semana.



Seleção	Ícone apresentado
Segunda-feira	1
Terça-feira	2
Quarta-feira	3
Quinta-feira	4
Sexta-feira	5
Sábado	6
Domingo	7
Hora	00-23
Minutos	00-59

4. Prima qualquer botão exceto \wedge / \vee para terminar o acerto, ou, passados 10 segundos, o aparelho guarda automaticamente.

IV. Definição do programa

1. Programas pré-instalados P1/P2/P3




P1	<p>Mon-Sun</p>
P2	<p>day workables</p> <p>weekends</p>
P3	<p>day workables</p> <p>weekends</p>

Os programas P1 / P2 / P3 são programas pré-instalados. Após confirmar o programa, o ícone do programa e a temperatura definida serão apresentados no ecrã.

2. Definir o programa personalizado

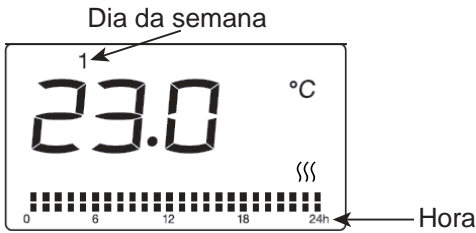
Prima o botão PRG para seleccionar entre "dia (1-7)" e "modo de aquecimento dos diferentes períodos (00:00-24:00)"

Selecione o dia desejado (1-7) ou modo de aquecimento premindo os botões \wedge / \vee . Quando definir o "modo de aquecimento dos diferentes períodos (00:00-24:00)", prima o botão \wedge para escolher as horas, e \vee para escolher entre as funções:

Conforto  , Económico  e modo de Espera  . Passados 30 segundos, termina automaticamente..

Por exemplo, para seleccionar o dia 1, temperatura de 23 °C, modo Conforto para 24 horas:

1. Prima PRG, depois \wedge / \vee para escolher o dia 1.

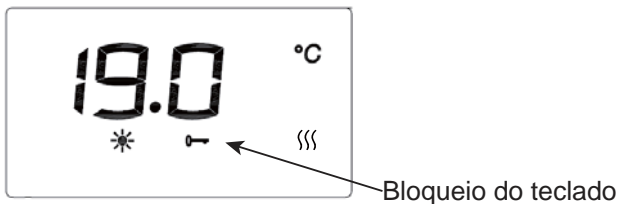


2. Prima de novo o botão PRG, prima \wedge para escolher a hora, \vee para escolher o modo Conforto e depois repita para todas as 24 horas.
3. Passados 30 segundos sem qualquer ação, as definições são guardadas.

Notas: No caso de falha de energia, a unidade mantém na memória apenas os parâmetros, temperatura e modo de funcionamento. Quando a energia voltar, o relógio deverá ser acertado de novo para utilizar devidamente os vários programas P1 / P2 / P3 / Personalizado.

V: Bloqueio do teclado

Prima o botão M durante três segundos para ativar a função de bloqueio do teclado $\text{0} \rightarrow$. Para desbloquear, prima de novo M durante três segundos.




Notas:

1. A função de bloqueio do teclado não bloqueia o botão de espera. $\text{0} \rightarrow$
2. A função de bloqueio do teclado é desativada automaticamente nas seguintes

- 1) O aparelho é desligado premindo o botão de espera $\text{0} \rightarrow$
- 2) O aparelho sofreu uma falha de energia.

Tem de definir de novo, premindo M durante 3 segundos, caso precise desta função.

VI: Função de detecção de janelas

Prima  o botão para entrar na função de detecção de janela. O aparelho entra por defeito no modo de conforto. Se for detetada uma diminuição da temperatura, o aparelho entra automaticamente no modo anti-gelo. Se a temperatura aumentar, o aparelho volta a entrar no modo de conforto.

Pode premir o botão M ou PRG para escolher outros modos, ou premir o botão de inativo para entrar no modo inativo.

OBSERVAÇÕES: Na função de janela, o controlo piloto não se encontra disponível.

VII: Luz de fundo

A luz de fundo é desligada automaticamente:

1. 60 segundos após o bloqueio do teclado.

A luz de fundo é reativada quando o sistema for desbloqueado.

2. 60 segundos após a última utilização dos botões dianteiros.

A luz de fundo é reativada após a ativação de um botão.

VIII: Validade das definições

Todas as definições anteriores para a temperatura, horas, dia da semana e programas permanecem válidas até que haja um corte de energia.

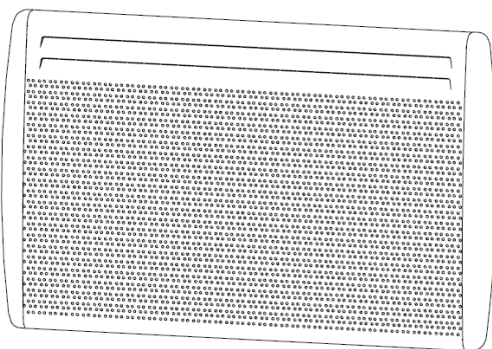
No caso de falha de energia, o aparelho mantém na memória apenas os parâmetros, temperatura e modo de funcionamento. Quando a energia voltar, o relógio deverá ser acertado de novo para utilizar devidamente os vários programas P1 / P2 / P3 / Personalizado.

Bloqueie o teclado após efetuar as suas definições, para evitar que qualquer definição seja desativada inadvertidamente devido à utilização de um botão.



Com mais detalhe...

Informação técnica e legal	18
Cuidados e limpeza	24
Proteção ambiental	25



Especificações técnicas

Modelo Nº	Voltagem e Frequência	Potência (Watts)	Dimensões do produto A x C x D (mm)	Classe	IP
NE10EPC	220-240V~ 50/60Hz	840-1000W	450x570x110	Duplo isolamento CLASSE II	IPX4
NE15EPC	220-240V~ 50/60Hz	1250-1500W	450x720x110	Duplo isolamento CLASSE II	IPX4
NE20EPC	220-240V~ 50/60Hz	1680-2000W	450x870x110	Duplo isolamento CLASSE II	IPX4
NE5EPC	220-240V~ 50/60Hz	420-500W	450x400x110	Duplo isolamento CLASSE II	IPX4
NE10PCS	220-240V~ 50/60Hz	840-1000W	283x790x110	Duplo isolamento CLASSE II	IPX4

Requisitos de informação para aquecedores de ambiente local elétricos

Identificador(es) de modelo: NE10EPC					
Elemento	Símbolo	Valor	Unidade	Elemento	Unidade
Potência calorífica				Tipo de potência calorífica, apenas para os aquecedores de ambiente local elétricos de acumulação (selecionar uma opção)	
Potência calorífica nominal	P_{nom}	0,5	kW	Comando manual da carga térmica, com termostato integrado	N.A.
Potência calorífica mínima (indicativa)	P_{min}	0	kW	Comando manual da carga térmica, com retroação da temperatura interior e/ou exterior	N.A.
Potência calorífica contínua máxima	$P_{max,c}$	0,5	kW	Comando eletrónico da carga térmica, com retroação da temperatura interior e/ou exterior	N.A.
Consumo de eletricidade auxiliar				Potência calorífica com ventilador	
À potência calorífica nominal				Tipo de potência calorífica/comando da temperatura interior (selecionar uma opção)	
À potência calorífica mínima	el_{min}	N.A.	kW	Potência calorífica numa fase única, sem comando da temperatura interior	[não]
Em estado de vigília	el_{SB}	0	kW	Em duas ou mais fases manuais, sem comando da temperatura interior	[não]
				Com comando da temperatura interior por termostato mecânico	[não]
				Com comando eletrónico da temperatura interior	[não]
				Com comando eletrónico da temperatura interior e temporizador diário	[não]
				Com comando eletrónico da temperatura interior e temporizador semanal	[sim]
				Outras opções de comando (seleção múltipla possível)	
				Comando da temperatura interior, com deteção de presença	[não]
				Comando da temperatura interior, com deteção de janelas abertas	[sim]
				Com opção de comando à distância	[não]
				Com comando de arranque adaptativo	[não]
				Com limitação do tempo de funcionamento	[não]
				Com sensor de corpo negro	[não]
Elementos de contacto		Kingfisher International Products Limited 3 Sheldon Square, London W2 6PX, United Kingdom			

Requisitos de informação para aquecedores de ambiente local elétricos

Identificador(es) de modelo: NE15EPC					
Elemento	Símbolo	Valor	Unidade	Elemento	Unidade
Potência calorífica				Tipo de potência calorífica, apenas para os aquecedores de ambiente local elétricos de acumulação (selecionar uma opção)	
Potência calorífica nominal	P_{nom}	0,8	kW	Comando manual da carga térmica, com termostato integrado	N.A.
Potência calorífica mínima (indicativa)	P_{min}	0	kW	Comando manual da carga térmica, com retroação da temperatura interior e/ou exterior	N.A.
Potência calorífica contínua máxima	$P_{max,c}$	0,8	kW	Comando eletrónico da carga térmica, com retroação da temperatura interior e/ou exterior	N.A.
Consumo de eletricidade auxiliar				Potência calorífica com ventilador	
À potência calorífica nominal				Tipo de potência calorífica/comando da temperatura interior (selecionar uma opção)	
À potência calorífica mínima	el_{min}	N.A.	kW	Potência calorífica numa fase única, sem comando da temperatura interior	[não]
Em estado de vigília	el_{SB}	0	kW	Em duas ou mais fases manuais, sem comando da temperatura interior	[não]
				Com comando da temperatura interior por termostato mecânico	[não]
				Com comando eletrónico da temperatura interior	[não]
				Com comando eletrónico da temperatura interior e temporizador diário	[não]
				Com comando eletrónico da temperatura interior e temporizador semanal	[sim]
				Outras opções de comando (seleção múltipla possível)	
				Comando da temperatura interior, com deteção de presença	[não]
				Comando da temperatura interior, com deteção de janelas abertas	[sim]
				Com opção de comando à distância	[não]
				Com comando de arranque adaptativo	[não]
				Com limitação do tempo de funcionamento	[não]
				Com sensor de corpo negro	[não]
Elementos de contacto		Kingfisher International Products Limited 3 Sheldon Square, London W2 6PX, United Kingdom			

Requisitos de informação para aquecedores de ambiente local elétricos

Identificador(es) de modelo: NE20EPC					
Elemento	Símbolo	Valor	Unidade	Elemento	Unidade
Potência calorífica				Tipo de potência calorífica, apenas para os aquecedores de ambiente local elétricos de acumulação (selecionar uma opção)	
Potência calorífica nominal	P_{nom}	1,1	kW	Comando manual da carga térmica, com termóstato integrado	N.A.
Potência calorífica mínima (indicativa)	P_{min}	0	kW	Comando manual da carga térmica, com retroação da temperatura interior e/ou exterior	N.A.
Potência calorífica contínua máxima	$P_{max,c}$	1,1	kW	Comando eletrónico da carga térmica, com retroação da temperatura interior e/ou exterior	N.A.
Consumo de eletricidade auxiliar				Potência calorífica com ventilador	
Potência calorífica nominal				Tipo de potência calorífica/comando da temperatura interior (selecionar uma opção)	
Potência calorífica mínima				Potência calorífica numa fase única, sem comando da temperatura interior	
Em estado de vigília				Em duas ou mais fases manuais, sem comando da temperatura interior	
				Com comando da temperatura interior por termóstato mecânico	
				Com comando eletrónico da temperatura interior	
				Com comando eletrónico da temperatura interior e temporizador diário	
				Com comando eletrónico da temperatura interior e temporizador semanal	
				Outras opções de comando (seleção múltipla possível)	
				Comando da temperatura interior, com deteção de presença	
				Comando da temperatura interior, com deteção de janelas abertas	
				Com opção de comando à distância	
				Com comando de arranque adaptativo	
				Com limitação do tempo de funcionamento	
				Com sensor de corpo negro	
Elementos de contacto		Kingfisher International Products Limited 3 Sheldon Square, London W2 6PX, United Kingdom			

Requisitos de informação para aquecedores de ambiente local elétricos

Identificador(es) de modelo: NE5EPC					
Elemento	Símbolo	Valor	Unidade	Elemento	Unidade
Potência calorífica				Tipo de potência calorífica, apenas para os aquecedores de ambiente local elétricos de acumulação (selecionar uma opção)	
Potência calorífica nominal	P_{nom}	0,3	kW	Comando manual da carga térmica, com termostato integrado	N.A.
Potência calorífica mínima (indicativa)	P_{min}	0	kW	Comando manual da carga térmica, com retroação da temperatura interior e/ou exterior	N.A.
Potência calorífica contínua máxima	$P_{max,c}$	0,3	kW	Comando eletrónico da carga térmica, com retroação da temperatura interior e/ou exterior	N.A.
Consumo de eletricidade auxiliar				Potência calorífica com ventilador	
Potência calorífica nominal				Tipo de potência calorífica/comando da temperatura interior (selecionar uma opção)	
Potência calorífica mínima				Potência calorífica numa fase única, sem comando da temperatura interior	
Em estado de vigília				Em duas ou mais fases manuais, sem comando da temperatura interior	
				Com comando da temperatura interior por termostato mecânico	
				Com comando eletrónico da temperatura interior	
				Com comando eletrónico da temperatura interior e temporizador diário	
				Com comando eletrónico da temperatura interior e temporizador semanal	
				Outras opções de comando (seleção múltipla possível)	
				Comando da temperatura interior, com deteção de presença	
				Comando da temperatura interior, com deteção de janelas abertas	
				Com opção de comando à distância	
				Com comando de arranque adaptativo	
				Com limitação do tempo de funcionamento	
				Com sensor de corpo negro	
Elementos de contacto		Kingfisher International Products Limited 3 Sheldon Square, London W2 6PX, United Kingdom			

Requisitos de informação para aquecedores de ambiente local elétricos

Identificador(es) de modelo: NE10PCS					
Elemento	Símbolo	Valor	Unidade	Elemento	Unidade
Potência calorífica				Tipo de potência calorífica, apenas para os aquecedores de ambiente local elétricos de acumulação (selecionar uma opção)	
Potência calorífica nominal	P_{nom}	0,5	kW	Comando manual da carga térmica, com termostato integrado	N.A.
Potência calorífica mínima (indicativa)	P_{min}	0	kW	Comando manual da carga térmica, com retroação da temperatura interior e/ou exterior	N.A.
Potência calorífica contínua máxima	$P_{max,c}$	0,5	kW	Comando eletrónico da carga térmica, com retroação da temperatura interior e/ou exterior	N.A.
Consumo de eletricidade auxiliar				Potência calorífica com ventilador	
À potência calorífica nominal	el_{max}	N.A.	kW	Tipo de potência calorífica/comando da temperatura interior (selecionar uma opção)	
À potência calorífica mínima	el_{min}	N.A.	kW	Potência calorífica numa fase única, sem comando da temperatura interior	[não]
Em estado de vigília	el_{SB}	0	kW	Em duas ou mais fases manuais, sem comando da temperatura interior	[não]
				Com comando da temperatura interior por termostato mecânico	[não]
				Com comando eletrónico da temperatura interior	[não]
				Com comando eletrónico da temperatura interior e temporizador diário	[não]
				Com comando eletrónico da temperatura interior e temporizador semanal	[sim]
				Outras opções de comando (seleção múltipla possível)	
				Comando da temperatura interior, com deteção de presença	[não]
				Comando da temperatura interior, com deteção de janelas abertas	[sim]
				Com opção de comando à distância	[não]
				Com comando de arranque adaptativo	[não]
				Com limitação do tempo de funcionamento	[não]
				Com sensor de corpo negro	[não]
Elementos de contacto		Kingfisher International Products Limited 3 Sheldon Square, London W2 6PX, United Kingdom			

CUIDADO E LIMPEZA

1. Antes de proceder à limpeza do aparelho, desligue-o da alimentação e espere que arrefeça por completo.
2. Utilize um pano ligeiramente embebido em água para limpar a estrutura do aparelho.
3. Limpe regularmente as grelhas e saídas de ar.
4. Não use água, líquidos, detergentes abrasivos ou químicos (álcool, gasolina, etc.) para proceder à limpeza.

PROTEÇÃO AMBIENTAL

O símbolo é conhecido como o "símbolo da caixote lo lixo com rodas com um X". Quando este símbolo aparecer num produto ou bateria, significa que ele não deve ser descartado juntamente com o lixo doméstico. Algumas substâncias químicas contidas nos produtos eletrônicos / produtos eléctricos ou baterias podem ser prejudiciais à saúde e ao meio ambiente.

Deposite os aparelhos eléctricos / eletrônicos em locais de recolha selectiva de resíduos que visam a recuperação e reciclagem e dos materiais que esses aparelhos contêm. A sua colaboração é fundamental para garantir o sucesso desses programas e proteção ambiental.



As instruções apresentadas anteriormente são APENAS PARA USO em Portugal.

yyWxx: Código da data de fabrico; ano de fabrico (aa) e semana de fabrico (Wxx)

Este produto tem uma garantia de dois anos a partir da data de compra.

A garantia cobre todos os defeitos do produto, quando o uso é em conformidade com o destino do produto e as informações no manual de instruções. Para beneficiar da garantia, é essencial para apresentar a prova de compra (recibo ou factura) e o produto deve estar completo com todos os seus acessórios.

A garantia não cobre os danos resultantes do uso normal, falta de manutenção, negligência, instalação incorreta ou uso inadequado (choques, não-conformidade com as condições de utilização, não é apropriado... armazenamento).

Também estão excluídos da garantia aos produtos para quais acessórios ou substituição peças que não são originais ou não são adaptadas para a remoção ou modificação da unidade é usado.

Brico Depot é responsável por defeitos de conformidade do produto conforme nos termos da Lei das Garantias (Decreto-Lei n.º 67/2003, alterado pelo Decreto-Lei n.º 84/2008. "

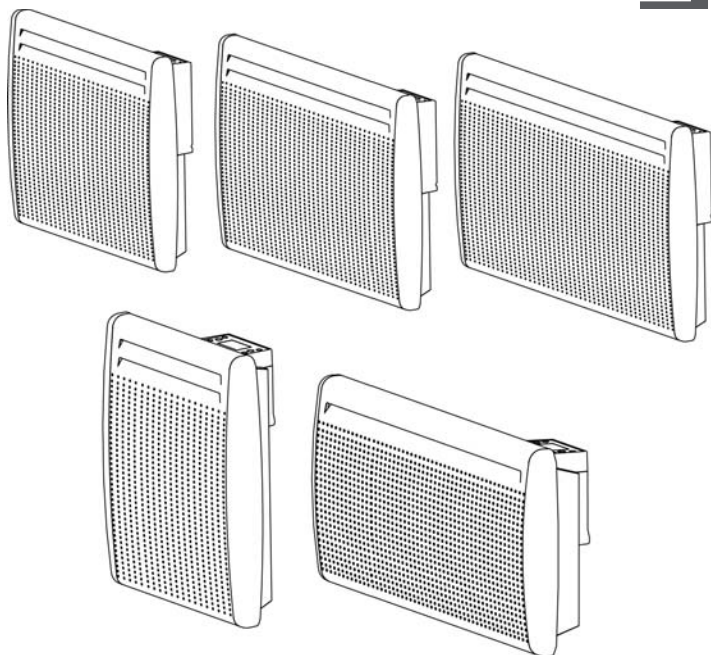


Fabricante: Kingfisher International Products Limited
3 Sheldon Square
London W2 6PX
United Kingdom



Distribuidor: **Brico Depot Portugal SA**
Rua Castilho, 5 - 1 esquerdo, sala 13
1250-066 Lisboa
www.bricodepot.pt

RADIATOR CU ELEMENT DE ÎNCĂLZIRE DIN ALUMINIU



NE10EPC 840-1000W 3663602912941
NE15EPC 1250-1500W 3663602912958
NE20EPC 1680-2000W 3663602912965
NE5EPC 420-500W 3663602688549
NE10PCS 840-1000W 3663602688570

Să începem...

Aceste instrucțiuni sunt pentru siguranța dumneavoastră. Vă rugăm să le citiți cu atenție înainte de utilizare și să le păstrați pentru consultări viitoare.



Pregătirea...

02

Siguranță
Înainte de a începe
Pornire rapidă

03
06
11



Detalii suplimentare...

17


Informații tehnice:
Îngrijirea și curățarea
Protecția mediului

18
24
25

VĂ RUGĂM SĂ CITIȚI CU ATENȚIE INSTRUCȚIUNILE URMĂTOARE ÎNAINTE DE UTILIZAREA APARATULUI

- **Acest aparat poate fi folosit de copii începând de la vârsta de 8 ani și de persoane cu capacități fizice, senzoriale sau mentale reduse sau fără experiență și cunoștințe dacă au fost supravegheate sau instruite cu privire la utilizarea aparatului în condiții de siguranță și înțeleg riscurile implicate. Copiii nu trebuie să se joace cu aparatul, și întreținerea nu se poate face de către copii fără supraveghere.**
- **Copiii mai mici de 3 ani trebuie ținuți departe, dacă nu sunt supravegheați tot timpul.**
- **Copiii cu vârsta de la 3 ani și mai mică de 8 ani vor porni/opri aparatul, cu condiția ca acesta să fie așezat sau instalat în poziția sa normală de funcționare și sunt supravegheați și instruiți cu privire la utilizarea aparatului într-un mod sigur și înțeleg pericolele implicate.**
- **Copiii cu vârsta de la 3 ani și mai mică de 8 ani nu trebuie să conecteze, regleze sau curețe aparatul sau să efectueze lucrări de întreținere.**
- **ATENȚIE - Anumite componente ale acestui produs pot deveni foarte fierbinți și pot provoca arsuri. O atenție deosebită trebuie**

acordată în cazul în care sunt prezenți copii și persoane vulnerabile.

- În cazul în care cablul de alimentare este deteriorat, acesta trebuie înlocuit de către producător, agentul său de service sau de personal calificat în domeniu pentru a evita un pericol.
- Nu amplasați aparatul direct sub o priză de curent.
-  **AVERTISMENT:** Pentru evitarea supraîncălzirii, nu acoperiți încălzitorul.
- Nu utilizați acest încălzitor cu un dispozitiv de programare, sistem separat de telecomandă sau orice alt dispozitiv care pornește automat încălzitorul, deoarece există risc de incendiu, dacă încălzitorul este acoperit sau poziționat incorect.
- **ATENȚIE:** Pentru a evita orice pericol datorat resetării accidentale a siguranței pentru supraîncălzire, acest aparat nu trebuie alimentat printr-un întrerupător extern precum un temporizator sau să fie racordat la un circuit care este conectat și deconectat periodic de furnizorul de curent electric.
- Acest radiator nu trebuie eliminat împreună cu deșeurile menajere; acesta trebuie predat

unui centru local de recuperare și reciclare a aparatelor electrice.

- Radiatorul trebuie instalat astfel încât întrerupătoarele și alte comutatoare să nu poată fi atinse de o persoană aflată în baie sau duș.
- Dacă se montează într-o baie, trebuie utilizat un DCR de 30 mA.
- Pentru detalii privind instalarea aparatului pe perete, vă rugăm consultați capitolul "INSTALARE" de la paginile 7-10.

Notă: desenul de mai jos este numai pentru referință.

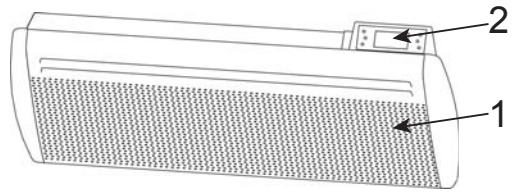
Vă recomandăm să contactați un electrician autorizat pentru orice ajutor.

Lucruri de verificat înainte de a începe

- ✓ Produsul se adresează exclusiv utilizării casnice.
- ✓ Nu lăsați niciodată să utilizeze acest aparat fără supraveghere copiii sau persoanele care nu pot să utilizeze aparatul în condiții de siguranță.
- ✓ Vă rugăm să eliminați pungile de plastic cu atenție și să le țineți departe de copii.

Produsul dumneavoastră

1. Corp aparat
2. Panou de comandă
3. Kituri de montare pe perete



NE10EPC/NE15EPC /NE20EPC NE10PCS



NE5EPC



3

Descriere	Ilustrație	CTE		
		NE10EPC /NE15EPC /NE20EPC	NE5EPC	NE10PCS
Șurub		4	3	2
Diblu		4	3	2

INSTALAREA APARATULUI

- Acest aparat este destinat numai pentru utilizare în interior.
- Respectați distanțele minime conform indicațiilor din Fig. 1.
- În locuri precum săli de baie, spălătorii, bucătării,

instalați aparatul la cel puțin 250mm deasupra nivelului solului.

- Nu instalați aparatul în locuri unde fluxul de aer ar putea perturba funcționarea acestuia (de ex. sub aparate de aer condiționat).

Atenție: efectuați o instalare respectând standardele privind instalarea din fiecare țară (NF C 15 100 pentru Franța sau echivalentul acesteia pentru alte țări)

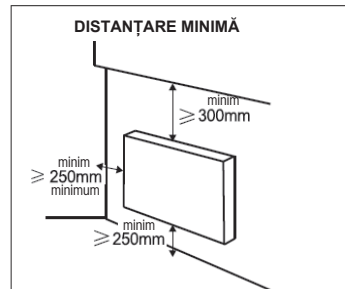


FIG 1

INSTALAREA

Pentru suspendarea radiatorului pe perete:

1. Selectați o locație adecvată pentru amplasarea radiatorului. (Figura 1)
2. Demontați suportul de perete slăbind șurubul (nu-l scoateți ci numai slăbiți-l) și glisați placa de metal din gaură. Scoateți suportul trăgând în jos (Figura 2).
3. Asigurați-vă că suportul este perfect orizontal cu ajutorul unei nivele și marcați amplasamentul găurilor (4 găuri pentru NE10EPC/NE15EPC/NE20EPC, 3 găuri pentru NE5EPC, 2 găuri pentru NE10PCS) pe perete. Introduceți diblurile în găuri, după care prindeți bine suportul cu șuruburi de perete. (Figura 3)
4. Amplasați aparatul pe suport (Figura 4):

A : Aliniați radiatorul pe cele cârlige de jos îndreptate în jos.

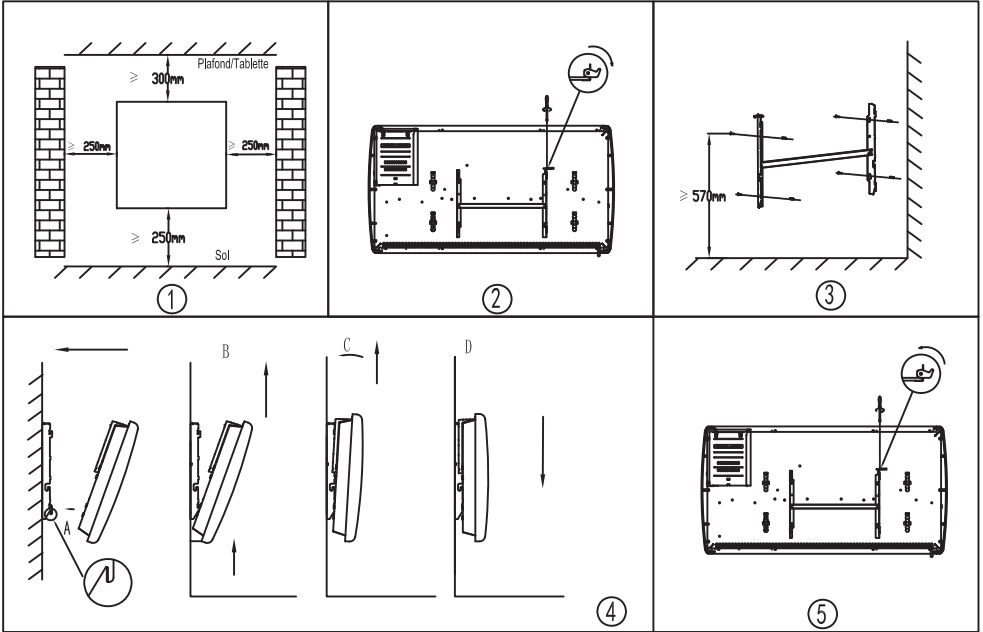
B : Împingeți radiatorul în sus în timp ce acesta este prins în cele cârlige de jos.

C : Aliniați radiatorul pe cele cârlige de sus îndreptate în sus.

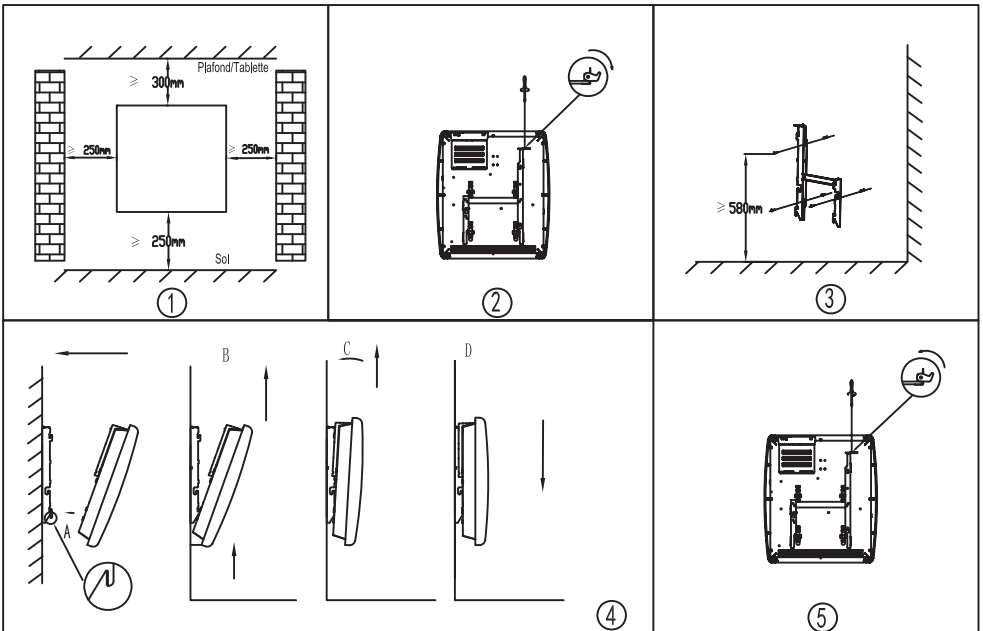
D : Trageți radiatorul în jos.

5. Glisați placa de metal în gaură și strângeți șurubul pentru a fixa suportul de montare pe perete (Figura 5).

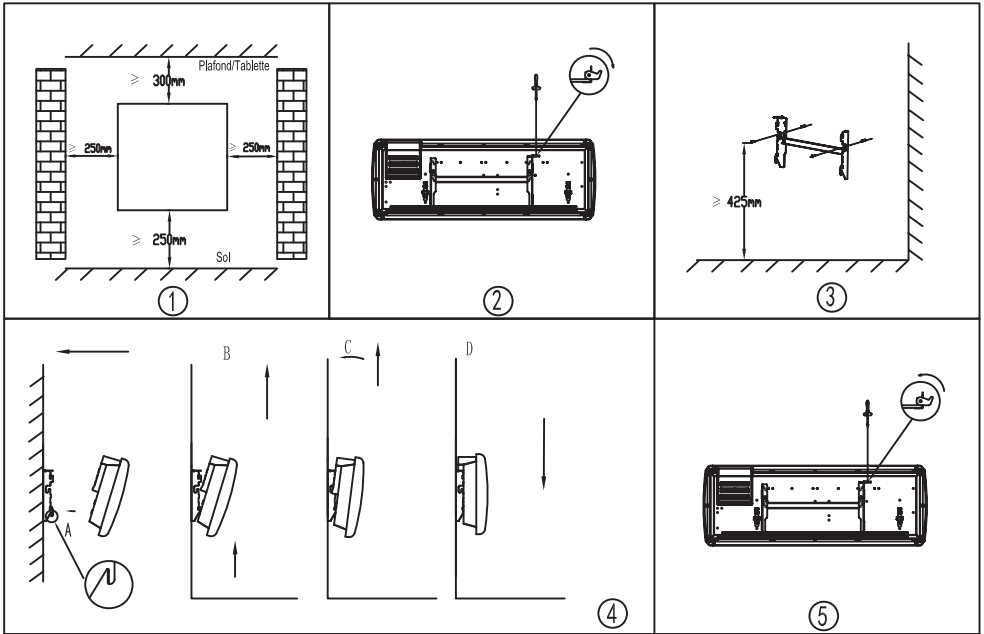
ELEMENTE DE PRINDERE PENTRU NE10EPC/NE15EPC/NE20EPC



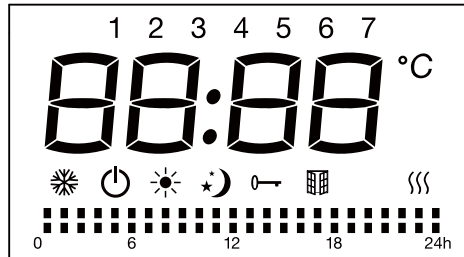
ELEMENTE DE PRINDERE PENTRU NE5EPC








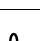

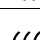

ELEMENTE DE PRINDERE PENTRU NE10PCS



Ecran LCD:



Funcțiile simbolurilor de pe ecranul LCD:

Simbol	Funcție
	Modul de veghe (aparaturul nu este în funcțiune dar este alimentat)
	Modul Anti-îngheț (aparaturul menține o temperatură aproximativă de 7°C)
	Modul Confort (setați temperatura dorită)
	Modul ECO (ECO menține temperatura care este cu 3,5 ° C inferioară temperaturii de confort. Acest mod reduce temperatura fără a modifica temperatura dorită în modul confort)
	Modul P (În modul P , aparaturul va funcționa automat în modul confort (cu excepția Franței))
	Blocare ecran
	Funcție de detectare ferestre
	Indicator de încălzire (Când aparaturul se încălzește, această icoană va apare pe ecran. Icoana va dispere când detectează că temperatura setată a fost atinsă).
	Temperatură

Moduri săptămânale personalizate:



Mod Confort activ

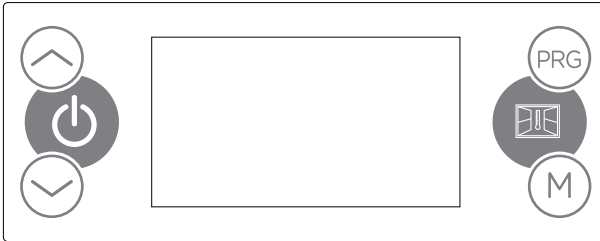


Mod ECO activ



Mod de veghe

Panou de comandă



Simbol	Funcție
Tastă	Setează ora, ziua săptămânii, temperatura; sau în programele săptămânale personalizate, comută între modul confort, eco sau de veghe.
Tastă	Mod de veghe
Tastă PRG	Pentru alegerea programului săptămânal personalizat
Tastă	Funcție de detectare ferestre
Tastă M	Pentru selectarea modului de funcționare confort / Eco / anti-îngheț / P1 / P2 / P3 / P

INSTRUCȚIUNI DE UTILIZARE

La prima utilizare aparatul va emite un miros. Acesta va dispărea după funcționarea timp de o oră a radiatorului.

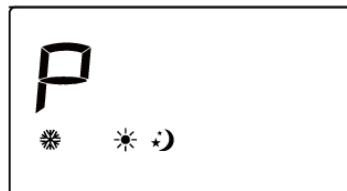
I. Setarea modului

1. Când utilizați aparatul pentru prima dată, după ce conectați aparatul la sursa de alimentare și după setarea orei, dispozitivul va fi în mod de veghe și veți putea apăsa butonul modului de veghe pentru a comuta pe modul confort.

Note: În caz de pană de curent, aparatul va păstra în memorie numai parametrii referitori la temperatură și modul de operare. După realimentarea cu energie electrică, ora trebuie reglată din nou pentru a putea opera corect diferitele programe P1/ P2/ P3/personalizat.

2. Apăsați butonul M pentru a comuta între moduri: Mod confort , Mod anti îngheț , Eco P1/P2/P3/P.

În modul P, aparatul va funcționa automat în modul confort (cu excepția Franței).



II. Setarea temperaturii:

- În modul de confort sau Eco (cu excepția modului anti-îngheț), apăsați \wedge sau \vee pentru a alege temperatura dorită. Diferența de temperatură între modul ECO și modul confort este de 3,5°C, astfel încât temperatura în mod ECO este situată între 1,5°C și 25,5°C.
- Apăsați alte butoane cu excepția \wedge / \vee pentru terminarea setării, sau după 5 secunde aceasta va fi salvată automat.
Când temperatura din încăperea depășește temperatura selectată, radiatorul se va opri din încălzit.



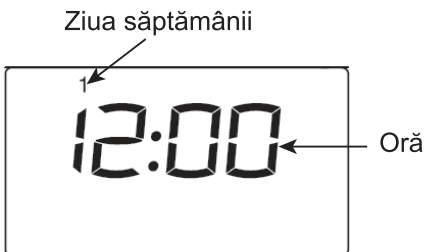
III. Setarea orei

Notă:

Apăsați \wedge pentru a seta ora/minutele/săptămâna.

Ora și ziua săptămânii rămân valide cât timp alimentarea electrică nu este întreruptă. Setarea "zilei săptămânii" și a "Orei" se aplică tuturor programelor (consultați capitolul IV, P1 / P2 / P3 / Personalizat).

- Apăsați simultan \wedge și \vee pentru a începe setarea orei.
- Mențineți apăsat \wedge pentru a comuta între oră/minute/săptămână.
- Apăsați \vee pentru a seta ora/minutele/săptămâna.



Selecție	Simbol afișat
Luni	1
Marți	2
Miercuri	3
Joi	4
Vineri	5
Sâmbătă	6
Duminică	7
Oră	00-23
Minute	00-59

4. Apăsați alte butoane cu excepția \wedge / \vee pentru terminarea setării, sau după 10 secunde aceasta va fi salvată automat.

IV. Setarea programelor

1. Programele presetate P1/P2/P3

P1	<p>Lună-Soare</p>
P2	<p>zile lucrătoare</p> <p>weekenduri</p>
P3	<p>zile lucrătoare</p> <p>weekenduri</p>

Programele P1 / P2 / P3 sunt programe presetate. După confirmarea programului, simbolul programului și temperatura setată vor fi afișate pe ecran.

2. Setarea programului personalizat

Apăsați butonul PRG pentru a alege între “zi (1-7)” și “modul de încălzire al diferitelor perioade (00:00-24:00)”.

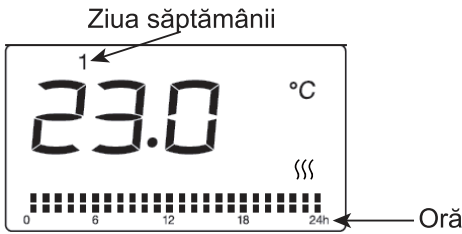
Selectați ziua dorită (1-7) sau modul de încălzire apăsând butoanele \wedge / \vee .

Când setați “modul de încălzire al diferitelor perioade (00:00-24:00)”, apăsați butonul \wedge pentru a selecționa ora și \vee pentru a alege din funcțiile:

confort , economic , și mod de veghe . După 30 de secunde acesta se va termina automat.

De exemplu: pentru a selecta ziua 1, temperatura de 23 C, mod de confort pentru 24 de ore:

1. Apăsați PRG, urmat de \wedge / \vee pentru a alege ziua 1.

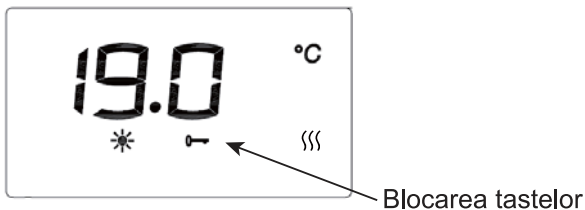


2. Reapăsați butonul PRG, apăsați \wedge pentru a alege ora, \vee pentru a alege modul de confort și după care repetați pentru întreaga perioadă de 24 de ore.
3. După 30 de secunde fără nicio operațiune, setarea este salvată.

Note: În caz de pană de curent, aparatul va păstra în memorie numai parametrii temperatură și mod de operare. După realimentarea cu energie electrică, ora trebuie reglată din nou pentru a putea opera corect diferitele programe P1/ P2/ P3/personalizat.

V: Blocarea tastelor

Apăsați butonul M timp de trei secunde pentru a activa funcția de blocare a tastelor $\text{0} \rightarrow$, iar ca să deblocați, reapăsați M pentru trei secunde.




Observații:

1. Funcția de blocare a tastelor nu blochează butonul modului de veghe $\text{0} \rightarrow$.
2. Funcția de blocare a tastelor va fi automat deactivată în următoarele circumstanțe:

- 1) aparatul este oprit prin apăsarea butonului de stare de veghe $\text{0} \rightarrow$.
- 2) aparatul este deconectat de la sursa de alimentare

Trebuie să setați din nou funcția apăsând M timp de 3 secunde dacă aveți nevoie de această funcție.

VI: Funcție de detectare ferestre

Apăsați  pe buton pentru a accesa funcția de detectare a ferestrei deschise. Aparatul va intra pe modul confort în mod implicit. Dacă se detectează scăderea temperaturii, aparatul va intra automat pe modul anti-îngheț. Dacă temperatura crește, aparatul va reveni pe modul confort.

Puteți apăsa pe butonul M sau PRG pentru a alege alte moduri, sau apăsați pe butonul de așteptare pentru a intra pe modul în așteptare.

OBSERVAȚIE: în cadrul funcției de detectare a ferestrei deschise, comanda pilot nu este disponibilă.

VII: Lumina de fundal

Lumina de fundal este automat oprită.

1. 60 de secunde după blocarea tastelor

Lumina de fundal este reactivată când sistemul este deblocat.

2. 60 de secunde după ultima utilizare a tastelor frontale

Lumina de fundal este reactivată după activarea unei taste.

VIII: Validitatea setărilor

Toate setările de mai sus: temperatură, oră, zi a săptămânii și programe rămân valide cât timp alimentarea electrică nu este întreruptă.

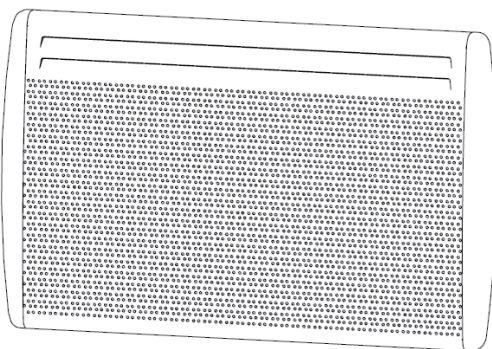
În caz de pană de curent, aparatul va păstra în memorie numai parametrii temperatură și mod de operare. După realimentarea cu energie electrică, ora trebuie reglată din nou pentru a putea opera corect diferitele programe P1/ P2/ P3/personalizat.

Blocați tastele după efectuarea setărilor pentru a evita dezactivarea accidentală a unor setări prin apăsarea unei taste.



Detalii suplimentare...

Informații tehnice	18
Îngrijirea și curățarea	24
Protecția mediului	25



Specificații tehnice

Model Nr.:	Tensiune și Frecvență	Putere(Watt)	Dimensiuni produs H x l x P (mm)	Clasă	IP
NE10EPC	220-240V~ 50/60Hz	840-1000W	450x570x110	Clasă de izolație dublă II	IPX4
NE15EPC	220-240V~ 50/60Hz	1250-1500W	450x720x110	Clasă de izolație dublă II	IPX4
NE20EPC	220-240V~ 50/60Hz	1680-2000W	450x870x110	Clasă de izolație dublă II	IPX4
NE5EPC	220-240V~ 50/60Hz	420-500W	450x400x110	Clasă de izolație dublă II	IPX4
NE10PCS	220-240V~ 50/60Hz	840-1000W	283x790x110	Clasă de izolație dublă II	IPX4

Cerințe privind informațiile referitoare la aparatele electrice pentru încălzire locală

Identificatorul de model(e): NE10EPC					
Parametru	Simbol	Valoare	Unitate	Parametru	Unitate
Puterea termică				Modul de acumulare a căldurii, numai în cazul aparatelor electrice pentru încălzire locală cu acumulator de căldură (alegeți o variantă)	
Puterea termică nominală	P_{nom}	0,5	kW	control manual al sarcinii termice, cu termostat integrat	nu este cazul
Puterea termică minimă (cu titlu indicativ)	P_{mn}	0	kW	control manual al sarcinii termice, ca răspuns la temperatura camerei și/sau exterioară	nu este cazul
Puterea termică maximă continuă	$P_{max,c}$	0,5	kW	control electronic al sarcinii termice, ca răspuns la temperatura camerei și/sau exterioară	nu este cazul
Consumul auxiliar de energie electrică				putere termică comandată de ventilator	
La putere termică nominală	$e_{l_{max}}$	nu este cazul	kW	Tip de putere termică/controlul temperaturii camerei (selectați o variantă)	
La putere termică minimă	$e_{l_{mn}}$	nu este cazul	kW	cu o singură treaptă de putere termică și fără controlul temperaturii camerei	[nu]
În modul standby	$e_{l_{SB}}$	0	kW	două sau mai multe trepte de putere manuale, fără controlul temperaturii camerei	[nu]
				cu controlul temperaturii camerei prin intermediul unui termostat mecanic	[nu]
				cu control electronic al temperaturii camerei	[nu]
				cu control electronic al temperaturii camerei și cu temporizator cu programare zilnică	[nu]
				cu control electronic al temperaturii camerei și cu temporizator cu programare săptămânală	[da]
				Alte opțiuni de control (se pot selecta mai multe variante)	
				controlul temperaturii camerei, cu detectarea prezenței	[nu]
				controlul temperaturii camerei, cu detectarea unei ferestre deschise	[da]
				cu opțiuni de control la distanță	[nu]
				cu demaraj adaptabil	[nu]
				cu limitarea timpului de funcționare	[nu]
				cu senzor cu bulb negru	[nu]
Date de contact	Kingfisher International Products Limited 3 Sheldon Square, London W2 6PX, United Kingdom				

Cerințe privind informațiile referitoare la aparatele electrice pentru încălzire locală

Identificatorul de model(e): NE15EPC					
Parametru	Simbol	Valoare	Unitate	Parametru	Unitate
Puterea termică				Modul de acumulare a căldurii, numai în cazul aparatelor electrice pentru încălzire locală cu acumulator de căldură (alegeți o variantă)	
Puterea termică nominală	P_{nom}	0,8	kW	control manual al sarcinii termice, cu termostat integrat	nu este cazul
Puterea termică minimă (cu titlu indicativ)	P_{mn}	0	kW	control manual al sarcinii termice, ca răspuns la temperatura camerei și/sau exterioară	nu este cazul
Puterea termică maximă continuă	$P_{max,c}$	0,8	kW	control electronic al sarcinii termice, ca răspuns la temperatura camerei și/sau exterioară	nu este cazul
Consumul auxiliar de energie electrică				putere termică comandată de ventilator	
La putere termică nominală	$e_{l_{max}}$	nu este cazul	kW	Tip de putere termică/controlul temperaturii camerei (selectați o variantă)	
La putere termică minimă	$e_{l_{mn}}$	nu este cazul	kW	cu o singură treaptă de putere termică și fără controlul temperaturii camerei	[nu]
În modul standby	$e_{l_{SB}}$	0	kW	două sau mai multe trepte de putere manuale, fără controlul temperaturii camerei	[nu]
				cu controlul temperaturii camerei prin intermediul unui termostat mecanic	[nu]
				cu control electronic al temperaturii camerei	[nu]
				cu control electronic al temperaturii camerei și cu temporizator cu programare zilnică	[nu]
				cu control electronic al temperaturii camerei și cu temporizator cu programare săptămânală	[da]
				Alte opțiuni de control (se pot selecta mai multe variante)	
				controlul temperaturii camerei, cu detectarea prezenței	[nu]
				controlul temperaturii camerei, cu detectarea unei ferestre deschise	[da]
				cu opțiuni de control la distanță	[nu]
				cu demaraj adaptabil	[nu]
				cu limitarea timpului de funcționare	[nu]
				cu senzor cu bulb negru	[nu]
Date de contact	Kingfisher International Products Limited 3 Sheldon Square, London W2 6PX, United Kingdom				

Cerințe privind informațiile referitoare la aparatele electrice pentru încălzire locală

Identificatorul de model(e): NE20EPC					
Parametru	Simbol	Valoare	Unitate	Parametru	Unitate
Puterea termică				Modul de acumulare a căldurii, numai în cazul aparatelor electrice pentru încălzire locală cu acumulator de căldură (alegeți o variantă)	
Puterea termică nominală	P_{nom}	1,1	kW	control manual al sarcinii termice, cu termostat integrat	nu este cazul
Puterea termică minimă (cu titlu indicativ)	P_{mn}	0	kW	control manual al sarcinii termice, ca răspuns la temperatura camerei și/sau exterioară	nu este cazul
Puterea termică maximă continuă	$P_{max,c}$	1,1	kW	control electronic al sarcinii termice, ca răspuns la temperatura camerei și/sau exterioară	nu este cazul
Consumul auxiliar de energie electrică				putere termică comandată de ventilator	
La putere termică nominală	$e_{l_{max}}$	nu este cazul	kW	Tip de putere termică/controlul temperaturii camerei (selectați o variantă)	
La putere termică minimă	$e_{l_{mn}}$	nu este cazul	kW	cu o singură treaptă de putere termică și fără controlul temperaturii camerei	[nu]
În modul standby	$e_{l_{SB}}$	0	kW	două sau mai multe trepte de putere manuale, fără controlul temperaturii camerei	[nu]
				cu controlul temperaturii camerei prin intermediul unui termostat mecanic	[nu]
				cu control electronic al temperaturii camerei	[nu]
				cu control electronic al temperaturii camerei și cu temporizator cu programare zilnică	[nu]
				cu control electronic al temperaturii camerei și cu temporizator cu programare săptămânală	[da]
				Alte opțiuni de control (se pot selecta mai multe variante)	
				controlul temperaturii camerei, cu detectarea prezenței	[nu]
				controlul temperaturii camerei, cu detectarea unei ferestre deschise	[da]
				cu opțiuni de control la distanță	[nu]
				cu demaraj adaptabil	[nu]
				cu limitarea timpului de funcționare	[nu]
				cu senzor cu bulb negru	[nu]
Date de contact	Kingfisher International Products Limited 3 Sheldon Square, London W2 6PX, United Kingdom				

Cerințe privind informațiile referitoare la aparatele electrice pentru încălzire locală

Identificatorul de model(e): NE5EPC					
Parametru	Simbol	Valoare	Unitate	Parametru	Unitate
Puterea termică				Modul de acumulare a căldurii, numai în cazul aparatelor electrice pentru încălzire locală cu acumulator de căldură (alegeți o variantă)	
Puterea termică nominală	P_{nom}	0,3	kW	control manual al sarcinii termice, cu termostat integrat	nu este cazul
Puterea termică minimă (cu titlu indicativ)	P_{min}	0	kW	control manual al sarcinii termice, ca răspuns la temperatura camerei și/sau exterioară	nu este cazul
Puterea termică maximă continuă	$P_{max,c}$	0,3	kW	control electronic al sarcinii termice, ca răspuns la temperatura camerei și/sau exterioară	nu este cazul
Consumul auxiliar de energie electrică				putere termică comandată de ventilator	
La putere termică nominală	el_{max}	nu este cazul	kW	Tip de putere termică/controlul temperaturii camerei (selectați o variantă)	
La putere termică minimă	el_{min}	nu este cazul	kW	cu o singură treaptă de putere termică și fără controlul temperaturii camerei	[nu]
În modul standby	el_{sb}	0	kW	două sau mai multe trepte de putere manuale, fără controlul temperaturii camerei	[nu]
				cu controlul temperaturii camerei prin intermediul unui termostat mecanic	[nu]
				cu control electronic al temperaturii camerei	[nu]
				cu control electronic al temperaturii camerei și cu temporizator cu programare zilnică	[nu]
				cu control electronic al temperaturii camerei și cu temporizator cu programare săptămânală	[da]
				Alte opțiuni de control (se pot selecta mai multe variante)	
				controlul temperaturii camerei, cu detectarea prezenței	[nu]
				controlul temperaturii camerei, cu detectarea unei ferestre deschise	[da]
				cu opțiuni de control la distanță	[nu]
				cu demaraj adaptabil	[nu]
				cu limitarea timpului de funcționare	[nu]
				cu senzor cu bulb negru	[nu]
Date de contact	Kingfisher International Products Limited 3 Sheldon Square, London W2 6PX, United Kingdom				

Cerințe privind informațiile referitoare la aparatele electrice pentru încălzire locală

Identificatorul de model(e): NE10PCS					
Parametru	Simbol	Valoare	Unitate	Parametru	Unitate
Puterea termică				Modul de acumulare a căldurii, numai în cazul aparatelor electrice pentru încălzire locală cu acumulator de căldură (alegeți o variantă)	
Puterea termică nominală	P_{nom}	0,5	kW	control manual al sarcinii termice, cu termostat integrat	nu este cazul
Puterea termică minimă (cu titlu indicativ)	P_{min}	0	kW	control manual al sarcinii termice, ca răspuns la temperatura camerei și/sau exterioară	nu este cazul
Puterea termică maximă continuă	$P_{max,c}$	0,5	kW	control electronic al sarcinii termice, ca răspuns la temperatura camerei și/sau exterioară	nu este cazul
Consumul auxiliar de energie electrică				putere termică comandată de ventilator	
La putere termică nominală	el_{max}	nu este cazul	kW	Tip de putere termică/controlul temperaturii camerei (selectați o variantă)	
La putere termică minimă	el_{min}	nu este cazul	kW	cu o singură treaptă de putere termică și fără controlul temperaturii camerei	[nu]
În modul standby	el_{sb}	0	kW	două sau mai multe trepte de putere manuale, fără controlul temperaturii camerei	[nu]
				cu controlul temperaturii camerei prin intermediul unui termostat mecanic	[nu]
				cu control electronic al temperaturii camerei	[nu]
				cu control electronic al temperaturii camerei și cu temporizator cu programare zilnică	[nu]
				cu control electronic al temperaturii camerei și cu temporizator cu programare săptămânală	[da]
				Alte opțiuni de control (se pot selecta mai multe variante)	
				controlul temperaturii camerei, cu detectarea prezenței	[nu]
				controlul temperaturii camerei, cu detectarea unei ferestre deschise	[da]
				cu opțiuni de control la distanță	[nu]
				cu demaraj adaptabil	[nu]
				cu limitarea timpului de funcționare	[nu]
				cu senzor cu bulb negru	[nu]
Date de contact	Kingfisher International Products Limited 3 Sheldon Square, London W2 6PX, United Kingdom				

ÎNGRIJIREA ȘI CURĂȚAREA

1. Înainte de a curăța aparatul, întrerupeți alimentarea electrică și așteptați până când aparatul este complet răcit.
2. Utilizați o cârpă umezită pentru a șterge carcasa aparatului.
3. Curățați periodic grilajul și fantele de aerisire.
4. Nu utilizați apă, lichide, detergenți abrazivi sau produse chimice (alcool, benzină, etc.) pentru curățarea produsului.

PROTECȚIA MEDIULUI

Acest produs este marcat cu simbolul de colectare selectivă pentru deșeurile electrice și electronice.

Acest lucru înseamnă că acest produs nu trebuie aruncat împreună cu deșeurile menajere, ci trebuie să fie preluat de un sistem de colectare, în conformitate cu Directiva 2012/19/UE. Acesta va fi reciclat, pentru a minimiza impactul asupra mediului. Produsele electrice și electronice sunt periculoase pentru mediul înconjurător și pentru sănătatea umană, ca urmare a prezenței unor substanțe periculoase. Depozitarea adecvată și colectarea aparatului dvs. uzat, contribuie la protejarea mediului înconjurător și a sănătății publice și sunt condiții de bază ale reciclării echipamentelor electrice și electronice uzate. Cooperarea dvs. este vitală pentru a asigura succesul acestui demers.

Pentru informații suplimentare privind depozitarea echipamentelor electrice și electronice uzate, vă rugăm să contactați autoritățile locale, centrul de colectare a unor astfel de aparate sau reprezentantul de vânzări de la care ați achiziționat aparatul.



Instrucțiunea de mai sus este aplicabilă NUMAI PENTRU UTILIZARE în ROMÂNIA.

AaSxx: Codul datei fabricării; anul fabricației (aa) și săptămâna fabricării (Sxx)



Producător: Kingfisher International Products Limited
3 Sheldon Square
London W2 6PX
United Kingdom



Distribuitor: **SC Bricostore România SA**
Calea Giulești 1-3, Sector 6, București
România
www.bricodepot.ro
