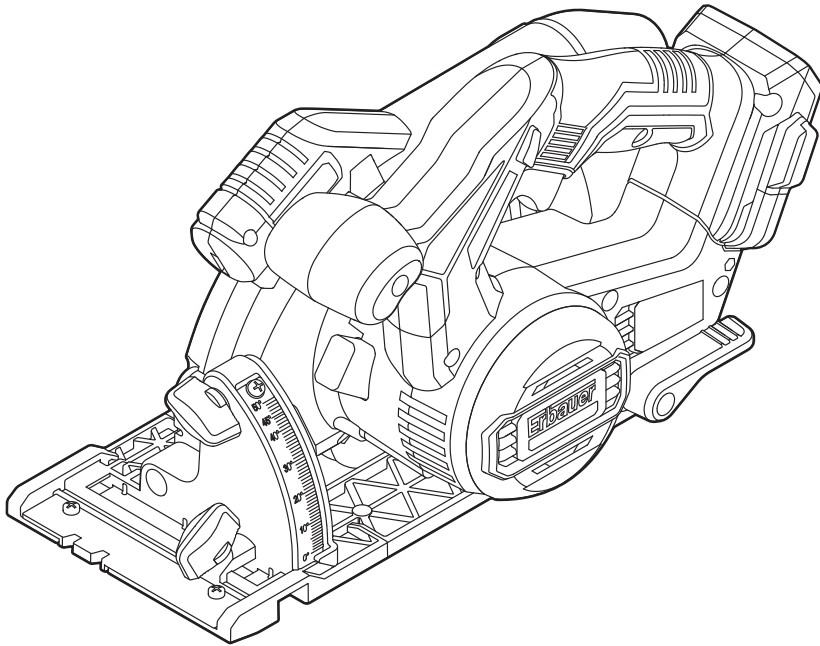




Erbauer



MNL_ECS18-Li_V01_180608

EAN. 3663602799696

ECS18-Li

ORIGINAL INSTRUCTIONS

EN



Safety instructions



Product description



Assembly



Use



+




Care & maintenance



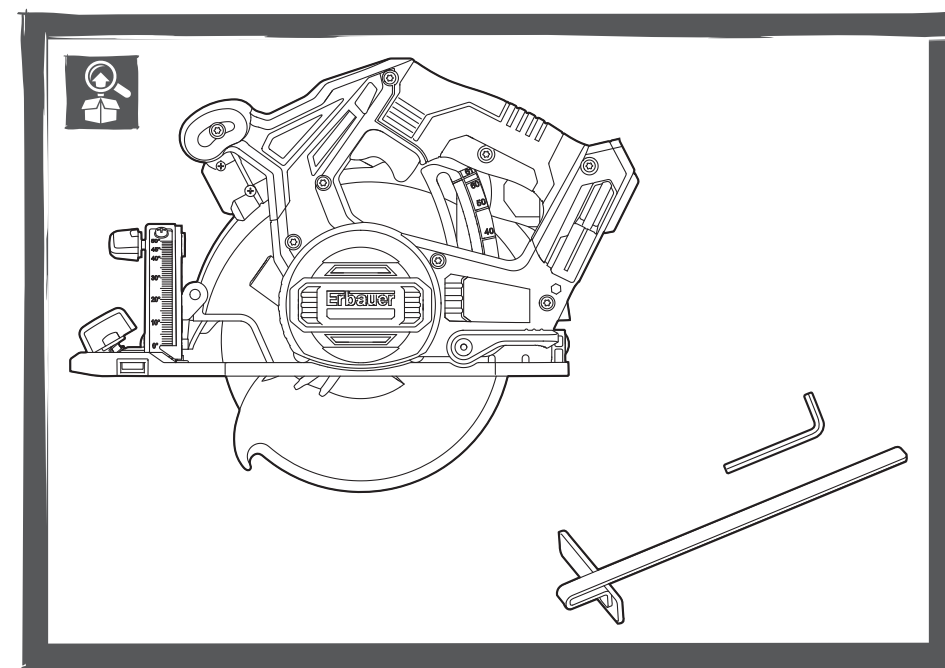
Guarantee



Declaration of Conformity

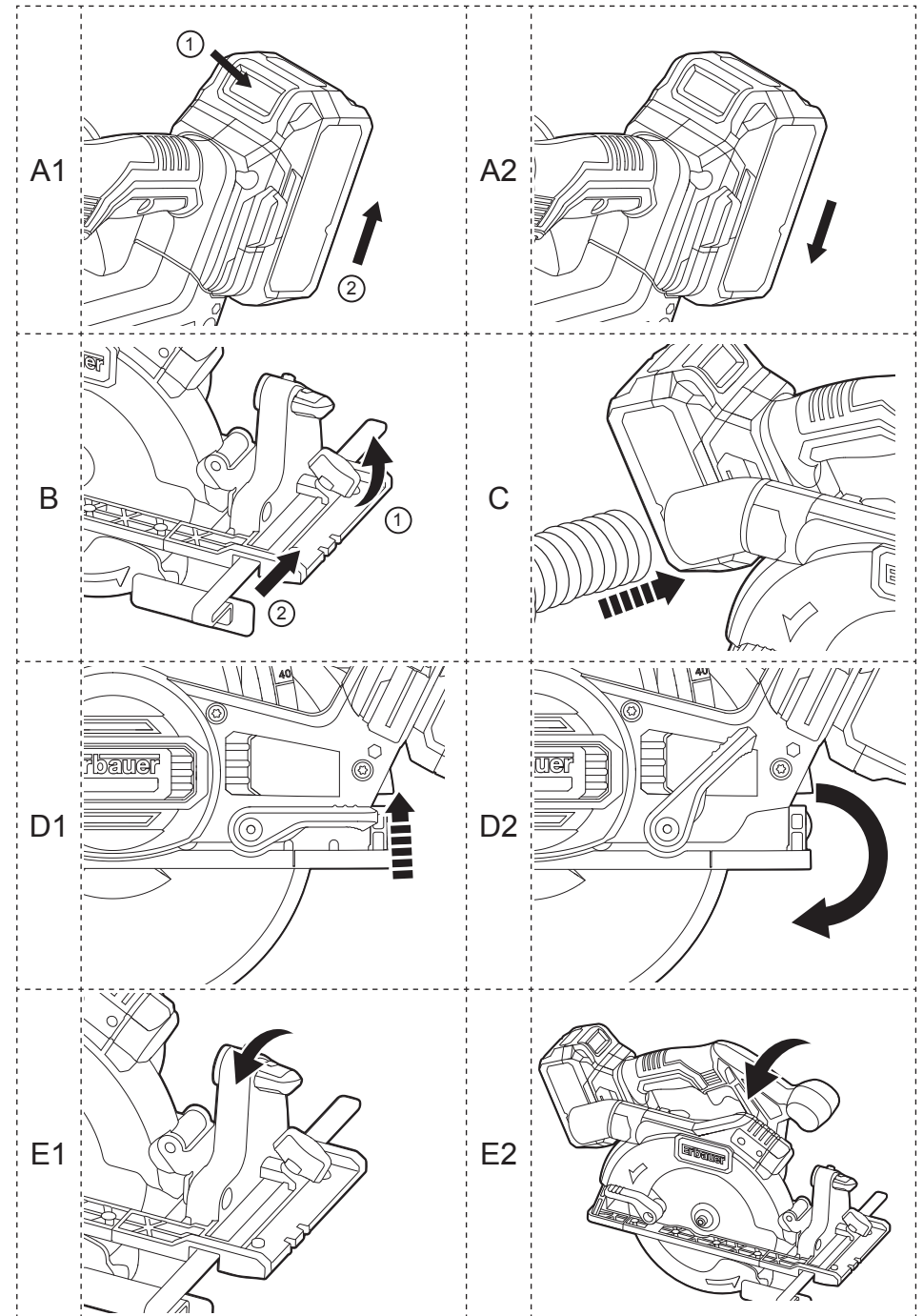
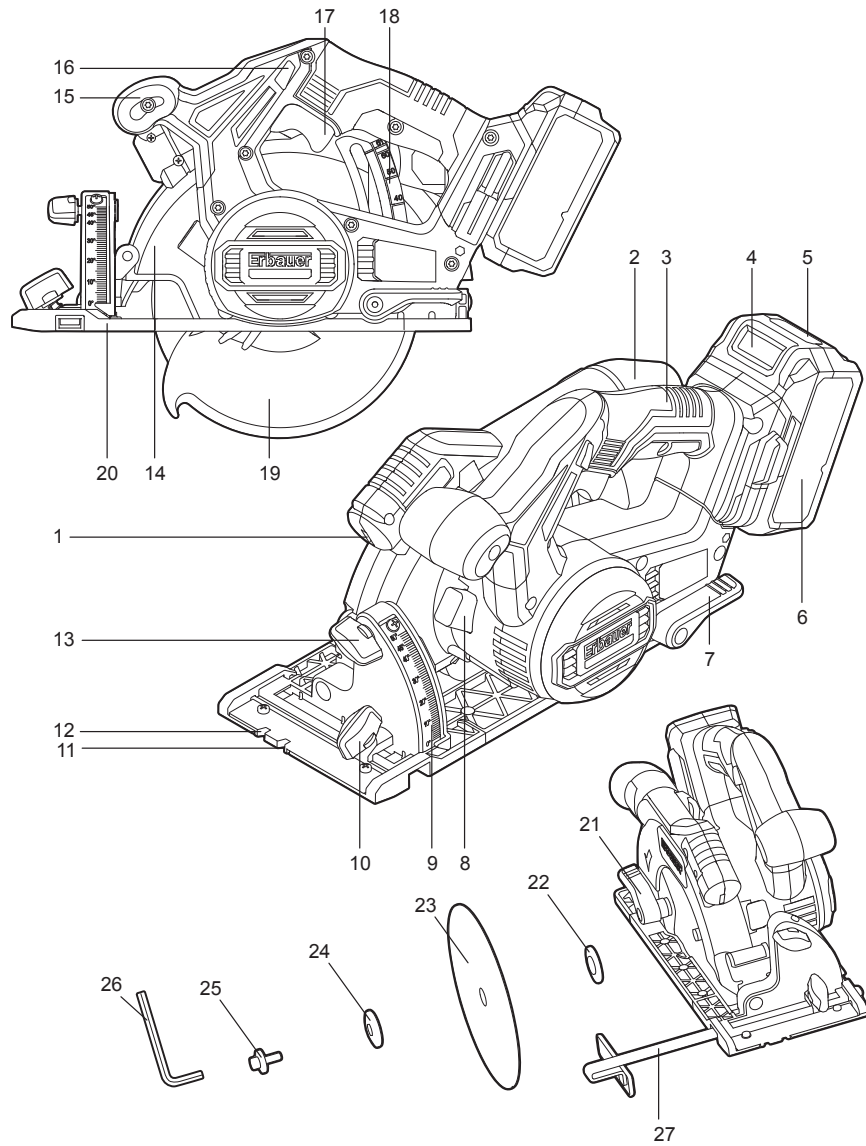


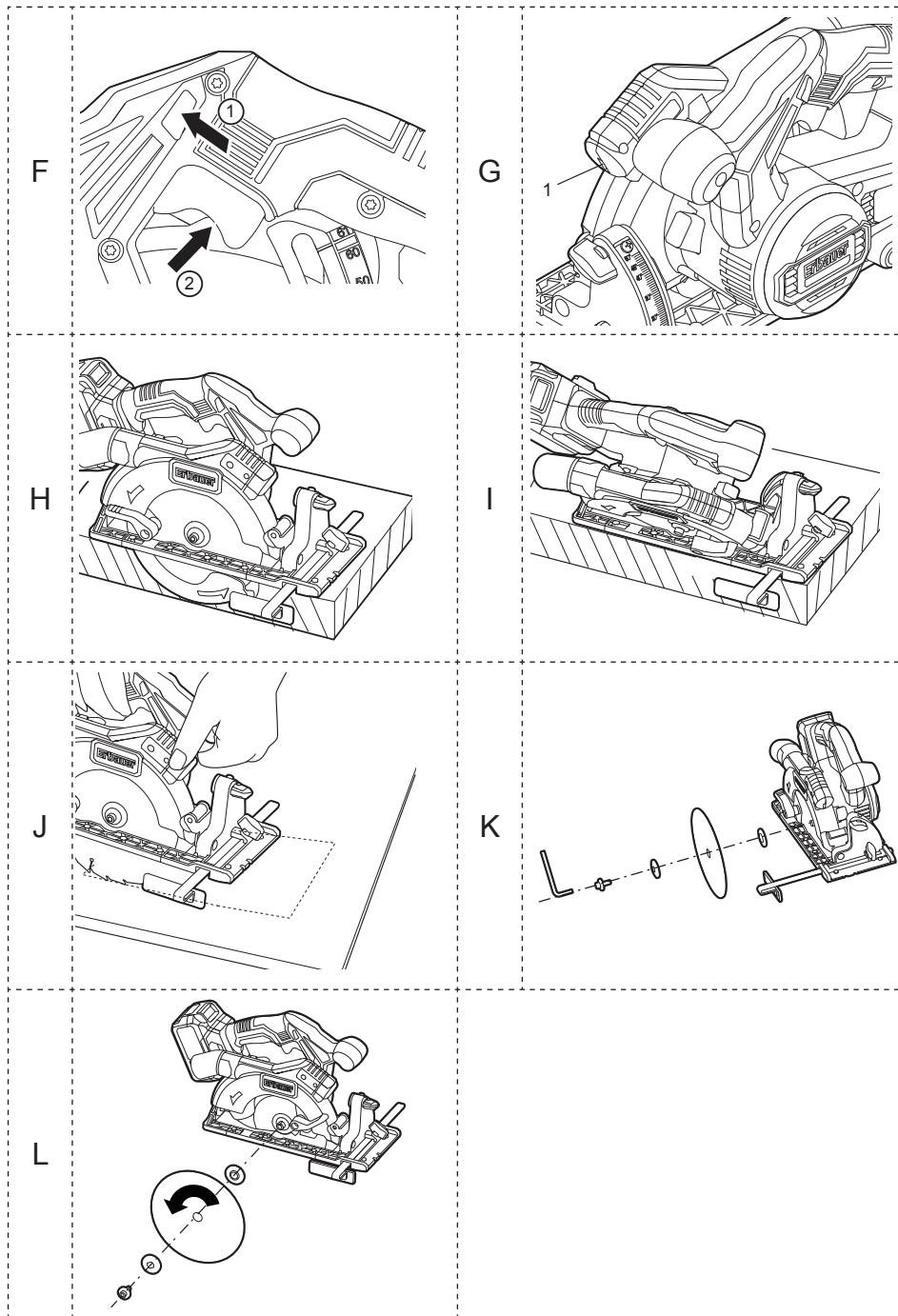
WARNING! Please read all safety warnings carefully and be sure that they are fully understood before handling the tool.



PRODUCT DESCRIPTION





6



SAFETY INSTRUCTIONS

GENERAL POWER TOOL SAFETY WARNINGS



WARNING! Read all safety warnings, instructions, illustrations and specifications provided with this power tool. Failure to follow all instructions listed below may result in electric shock, fire and/or serious injury. Save all warnings and instructions for future reference. The term “power tool” in the warnings refers to your mains-operated (corded) power tool or battery operated (cordless) power tool.”

WORK AREA SAFETY

- Keep work area clean and well lit. Cluttered or dark areas invite accidents.
- Do not operate power tools in explosive atmospheres, such as in the presence of flammable liquids, gases or dust. Power tools create sparks which may ignite the dust or fumes.
- Keep children and bystanders away while operating a power tool. Distractions can cause you to lose control.

ELECTRICAL SAFETY

- Power tool plugs must match the outlet. Never modify the plug in any way. Do not use any adapter plugs with earthed (grounded) power tools. Unmodified plugs and matching outlets will reduce risk of electric shock.
- Avoid body contact with earthed or grounded surfaces, such as pipes, radiators, ranges and refrigerators. There is an increased risk of electric shock if your body is earthed or grounded.

7

- c. **Do not expose power tools to rain or wet conditions.** *Water entering a power tool will increase the risk of electric shock.*
- d. **Do not abuse the cord. Never use the cord for carrying, pulling or unplugging the power tool. Keep cord away from heat, oil, sharp edges or moving parts.** *Damaged or entangled cords increase the risk of electric shock.*
- e. **When operating a power tool outdoors, use an extension cord suitable for outdoor use.** *Use of a cord suitable for outdoor use reduces the risk of electric shock.*
- f. **If operating a power tool in a damp location is unavoidable, use a residual current device (RCD) protected supply.** *Use of an RCD reduces the risk of electric shock.*

PERSONAL SAFETY

- a. **Stay alert, watch what you are doing and use common sense when operating a power tool. Do not use a power tool while you are tired or under the influence of drugs, alcohol or medication.** *A moment of inattention while operating power tools may result in serious personal injury.*
- b. **Use personal protective equipment. Always wear eye protection.** *Protective equipment such as a dust mask, non-skid safety shoes, hard hat, or hearing protection used for appropriate conditions will reduce personal injuries.*
- c. **Prevent unintentional starting. Ensure the switch is in the off- position before connecting to power source and/or battery pack, picking up or carrying the tool.** *Carrying power tools with your finger on the switch or energising power tools that have the switch on invites accidents.*
- d. **Remove any adjusting key or wrench before turning the power tool on.** *A wrench or a key left attached to a rotating part of the power tool may result in personal injury.*
- e. **Do not overreach. Keep proper footing and balance at all times.** *This enables better control of the power tool in unexpected situations.*

- f. **Dress properly. Do not wear loose clothing or jewellery. Keep your hair, clothing away from moving parts.** *Loose clothes, jewellery or longhair can be caught in moving parts.*
- g. **If devices are provided for the connection of dust extraction and collection facilities, ensure these are connected and properly used.** *Use of dust collection can reduce dust-related hazards.*
- h. **Do not let familiarity gained from frequent use of tools allow you to become complacent and ignore tool safety principles.** *A careless action can cause severe injury within a fraction of a second.*

POWER TOOL USE AND CARE

- a. **Do not force the power tool. Use the correct power tool for your application.** *The correct power tool will do the job better and safer at the rate for which it was designed.*
- b. **Do not use the power tool if the switch does not turn it on and off.** *Any power tool that cannot be controlled with the switch is dangerous and must be repaired.*
- c. **Disconnect the plug from the power source and/or remove the battery pack, if detachable, from the power tool before making any adjustments, changing accessories, or storing power tools.** *Such preventive safety measures reduce the risk of starting the power tool accidentally.*
- d. **Store idle power tools out of the reach of children and do not allow persons unfamiliar with the power tool or these instructions to operate the power tool.** *Power tools are dangerous in the hands of untrained users.*
- e. **Maintain power tools and accessories. Check for misalignment or binding of moving parts, breakage of parts and any other condition that may affect the power tools operation. If damaged, have the power tool repaired before use.** *Many accidents are caused by poorly maintained power tools.*

- f. **Keep cutting tools sharp and clean.** *Properly maintained cutting tools with sharp cutting edges are less likely to bind and are easier to control*
- g. **Use the power tool, accessories and tool bits etc. in accordance with these instructions, taking into account the working conditions and the work to be performed.** *Use of the power tool for operations different from those intended could result in a hazardous situation.*
- h. **Keep handles and grasping surfaces dry, clean and free from oil and grease.** *Slippery handles and grasping surfaces do not allow for safe handling and control of the tool in unexpected situations.*

BATTERY TOOL USE AND CARE

- a. **Recharge only with the charger specified by the manufacturer.** *A charger that is suitable for one type of battery pack may create a risk of fire when used with another battery pack.*
- b. **Use power tools only with specifically designated battery packs.** *Use of any other battery packs may create a risk of injury and fire.*
- c. **When battery pack is not in use, keep it away from other metal objects, like paper clips, coins, keys, nails, screws or other small metal objects, that can make a connection from one terminal to another.** *Shorting the battery terminals together may cause burns or a fire.*
- d. **Under abusive conditions, liquid may be ejected from the battery; avoid contact. If contact accidentally occurs, flush with water. If liquid contacts eyes, additionally seek medical help.** *Liquid ejected from the battery may cause irritation or burns.*
- e. **Do not use battery pack or tool that is damaged or modified.** *Damaged or modified batteries may exhibit unpredictable behaviour resulting in fire, explosion or risk of injury.*

- f. **Do not expose a battery pack or tool to fire or excessive temperature.** *Exposure to fire or temperature above 130 °C may cause explosion.*
- g. **Follow all charging instructions and do not charge the battery pack or tool outside the temperature range specified in the instructions.** *Charging improperly or at temperatures outside the specified range may damage the battery and increase the risk of fire.*

SERVICE

- a. **Have your power tool serviced by a qualified repair person using only identical replacement parts.** *This will ensure that the safety of the power tool is maintained.*
- b. **Never service damaged battery packs.** *Service of battery packs should only be performed by the manufacturer or authorized service providers.*

ADDITIONAL SAFETY INSTRUCTIONS FOR ALL SAWS-CUTTING PROCEDURES

- a. **DANGER: Keep hands away from cutting area and the blade. Keep your second hand on auxiliary handle, or motor housing.** *If both hands are holding the saw, they cannot be cut by the blade.*
- b. **Do not reach underneath the workpiece.** *The guard cannot protect you from the blade below the workpiece.*
- c. **Adjust the cutting depth to the thickness of the workpiece.** *Less than a full tooth of the blade teeth should be visible below the workpiece.*
- d. **Never hold the workpiece in your hands or across your leg while cutting. Secure the workpiece to a stable platform.** *It is important to support the work properly to minimize body exposure, blade binding, or loss of control.*

- e. **Hold the power tool by insulated gripping surfaces when performing an operation where the cutting tool may contact hidden wiring.** *Contact with a “live” wire will also make exposed metal parts of the power tool “live” and could give the operator an electric shock.*
- f. **When ripping always use a rip fence or straight edge guide.** *This improves the accuracy of cut and reduces the chance of blade binding.*
- g. **Always use blades with correct size and shape (diamond versus round) of arbour holes.** *Blades that do not match the mounting hardware of the saw will run off-centre, causing loss of control.*
- h. **Never use damaged or incorrect blade washers or bolt.** *The blade washers and bolt were specially designed for your saw, for optimum performance and safety of operation.*

Kickback causes and related warnings

- a. *Kickback is a sudden reaction to a pinched, bound or misaligned saw blade, causing an uncontrolled saw to lift up and out of the workpiece toward the operator.*
- b. *When the blade is pinched or bound tightly by the kerf closing down, the blade stalls and the motor reaction drives the unit rapidly back toward the operator.*
- c. *If the blade becomes twisted or misaligned in the cut, the teeth at the back edge of the blade can dig into the top surface of the wood causing the blade to climb out of the kerf and jump back toward the operator.*

Kickback is the result of saw misuse and/or incorrect operating procedures or conditions and can be avoided by taking proper precautions as given below:

- a. **Maintain a firm grip with both hands on the saw and position your arms to resist kickback forces. Position your body to either side of the blade, but not in line with the blade.** *Kickback could cause the saw to jump backwards, but kickback forces can be controlled by the operator, if proper precautions are taken.*
- b. **When blade is binding, or when interrupting a cut for any reason, release the on/off switch and hold the saw motionless in the material until the blade comes to a complete stop. Never attempt to remove the saw from the work piece or pull the saw backward while the blade is in motion or kickback may occur. Investigate and take corrective actions to eliminate the cause of blade binding.**
- c. **When restarting a saw in the workpiece, centre the saw blade in the kerf so that the saw teeth are not engaged into the material.** *If a saw blade binds, it may walk up or kickback from the workpiece as the saw is restarted.*
- d. **Support large panels to minimise the risk of blade pinching and kickback.** *Large panels tend to sag under their own weight. Supports must be placed under the panel on both sides, near the line of cut and near the edge of the panel.*
- e. **Do not use dull or damaged blades.** *Unsharpened or improperly set blades produce narrow kerf causing excessive friction, blade binding and kickback.*
- f. **Blade depth and bevel adjusting locking levers must be tight and secure before making the cut.** *If blade adjustment shifts while cutting, it may cause binding and kickback.*
- g. **Use extra caution when sawing into existing walls or other blind areas.** *The protruding blade may cut objects that can cause kickback.*

Additional safety instructions for circular saws with pendulum guard-Low guard function

- a. **Check the lower guard for proper closing before each use. Do not operate the saw if the lower guard does not move freely and close instantly. Never clamp or tie the lower guard into the open position.** *If the saw is accidentally dropped, the lower guard may be bent. Raise the lower guard with the retracting handle and make sure it moves freely and does not touch the blade or any other part, in all angles and depths of cut.*
- b. **Check the operation of the lower guard spring. If the guard and the spring are not operating properly, they must be serviced before use.** *The lower guard may operate sluggishly due to damaged parts, gummy deposits, or a build-up of debris.*
- c. **The lower guard may be retracted manually only for special cuts such as “plunge cuts” and “compound cuts.” Raise the lower guard by retracting the blade guard lever and as soon as the blade enters the material, the lower guard must be released.** *For all other sawing, the lower guard should operate automatically.*
- d. **Always observe that the lower guard is covering the blade before placing the saw down on bench or floor.** *An unprotected, coasting blade will cause the saw to walk backwards, cutting whatever is in its path. Be aware of the time it takes for the blade to stop after switch is released.*

Saw blade safety warnings

To avoid overheating the blade tips:

- *Use only blades recommended which conform to EN847-1.*
- *Pay attention to the maximum rotation speed. Never exceed the maximum speed indicated on the blade.*
- *Never use damaged or dull blades. You are not authorized to repair the blade.*

- *Use the provided blade for cutting wood only, never cut metal or plastic.*
- *If you working for long periods, the blade may overheat. Take 15 minutes pause to let the blade cool down.*
- a. *Only use saw blades if you have knowledge of how to use and handle them.*
- b. *Only use saw blades that are marked with a speed equal or higher than the speed marked on the tool.*
- c. *Do not use working saw blades which are cracked. Scrap saw blades whose bodies are cracked. Repairing is not permitted.*
- d. *Clamping surfaces shall be cleaned to remove dirt, grease, oil and water.*
- e. *Do not use loose rings or sleeves to «make up» bore sizes on saw blades.*
- f. *Open the lower guard and remove the saw blade to clear the inside of the lower and upper guards if necessary. Remove stubborn dirt with high pressure air (max. 3 bar).*
- g. *Ensure fixed rings are parallel to each other.*
- h. *Handle saw blades with care. Store them in the original packaging or in special boxes. Wear gloves for handling and to reduce injuries.*
- i. *Check the function of the lower guard by raising and releasing the retraction lever. Ensure all guards function well before using saw blades.*
- j. *Before use, make sure that the saw blade complies with technical requirements of the power tool and is correctly fixed.*

ADDITIONAL SAFETY WARNINGS FOR BATTERY

- a. *Do not connect the positive terminal and negative terminal of the battery to each other with any metal object (such as wire).*
- b. *Do not carry or store battery together with necklaces, hairpins or other metal objects.*

- c. *Do not pierce the battery with nails, strike the battery with a hammer, step on the battery or otherwise subject it to strong impacts or shocks.*
- d. *Do not solder directly onto the battery.*
- e. *Do not expose battery to water or salt water, or allow the battery to get wet.*
- f. *Do not disassemble or modify the battery.*
- g. *Do not place the battery in or near fire, on stoves or other high temperature locations. Do not place the battery in direct sunlight, or use or store the battery inside cars in hot weather.*
- h. *Do not place the battery in microwave ovens, high-pressure containers or on induction cookware.*
- i. *If you intend to store a battery for a period without use then store battery at room temperature (19°C to 25°C), charged to about 30 – 50% of capacity. When storing for very long periods boost charge the battery once per year to prevent over discharge.*

The following information applies to professional users only but is good practice for all users:

ADDITIONAL SAFETY WARNING FOR CONSTRUCTION DUST

The updated Control of Substances Hazardous to Health Regulations 1st October 2012 now also targets to reduce the risks associated with silica, wood and gypsumdusts. Construction workers are one of the at-risk groups within this because of the dust that they breathe: silica dust is not just a nuisance; it is a real risk to your lungs!

Silica is a natural mineral present in large amounts in things like sand, sandstone and granite. It is also commonly found in many construction materials such as concrete and mortar. The silica is broken into very fine dust (also known as Respirable Crystalline Silica or RCS) during many common tasks such as cutting, drilling and grinding. Breathing in very fine particles of crystalline silica can lead to the development of: Lung cancer Silicosis Chronic

Obstructive Pulmonary Disorder/Chronic obstructive pulmonary disease (COPD) And breathing in fine particles of wood dust can lead to the development of Asthma. The risk of lung disease is linked to people who regularly breathe construction dust over a period of time, not on the odd occasion.

To protect the lung, the COSHH Regulations sets a limit on the amount of these dusts that you can breathe (called a Workplace Exposure Limit or WEL) when averaged over a normal working day. These limits are not a large amount of dust: when compared to a penny it is tiny – like a small pinch of salt: This limit is the legal maximum; the most you can breathe after the right controls have been used.

HOW TO REDUCE THE AMOUNT OF DUST?

1. Reduce the amount of cutting by using the best sizes of building products. Use a less powerful tool e.g. a block cutter instead of angle grinder.
2. Using a different method of work altogether – e.g. using a nail gun to direct fasten cable trays instead of drilling holes first.
3. Please always work with approved safety equipment, such as those dust masks that specially designed to filter out microscopic particles and use the dust extraction facility at all time.

For more information please see the HSE website: <http://www.hse.gov.uk/construction> or <http://www.hse.gov.uk/pubns/cis69.pdf>



WARNING! Some dust particles created by power sanding, sawing, grinding, drill and other construction jobs contain chemicals known to cause cancer, birth defects or other reproductive harm. Some examples of these chemicals are:

- Lead from lead-based paints.
- Crystalline silica from bricks and cement and other masonry products.
- Arsenic and chromium from chemically treated timber.
- Your risk from these exposures varies, depending upon how often you do this type of work. To reduce your exposure to these chemicals:
- Work in a well-ventilated area.
- Work with approved safety equipment, such as those dust masks that are specially designed to filter microscopic particles

VIBRATION

The European Physical Agents (Vibration) Directive has been brought in to help reduce hand arm vibration syndrome injuries to power tool users. The directive requires power tool manufacturers and suppliers to provide indicative vibration test results to enable users to make informed decisions as to the period of time a power tool can be used safely on a daily basis and the choice of tool.

SEE TECHNICAL SPECIFICATIONS IN THE INSTRUCTION MANUAL FOR THE VIBRATION LEVELS OF YOUR TOOL.

The declared vibration emission value should be used as a minimum level and should be used with the current guidance on vibration.

Calculating the actual period of use can be difficult and the HSE website has further information.

The declared vibration emission been measured in accordance with EN62841-1, EN62841-2-5 and may be used to compare one tool with another tool. The declared vibration emission value may also be used in preliminary assessment of exposure.



WARNING! The vibration emission value during actual use of the power tool can differ from the declared value depending on the ways in which the tool is used dependant on the following examples and other variations on how the tool is used:

- How the tool is used and the materials being cut or drilled.
- The tool being in good condition and well maintained.
- Use the correct accessories for the tool and ensure they are sharp and in good condition.
- The tightness of the grip on the handles.
- The tool is being used as intended by its design and these instructions.



WARNING! Identify safety measures to protect the operator that are based on an estimation of exposure in the actual conditions of use (taking account of all parts of the operating cycle such as the times when the tool is switched off and when it is running idle in addition to the trigger time).

While working with this power tool, hand/arm vibrations occur. Adopt the correct working practices in order to reduce the exposure to vibration. This tool may cause hand-arm vibration syndrome if its use is not adequately managed.

Helping to minimise your vibration exposure risk. ALWAYS use sharp chisels, drills and blades. Maintain this tool in accordance with these instructions and keep well lubricated (where appropriate).

Avoid using tools in temperatures of 10°C or less. Plan your work schedule to spread any high vibration tool use across a number of days.



NOTE: The use of other tools will reduce the users' total working period on this tool.

HEALTH SURVEILLANCE

All employees should be part of an employer's health surveillance scheme to help identify any vibration related diseases at an early stage, prevent disease progression and help employees stay in work.

RESIDUAL RISKS

Even if you are operating this product in accordance with all the safety requirements, potential risks of injury and damage remain. The following dangers can arise in connection with the structure and design of this product:

1. Injuries and damage to property due to broken attachments or the sudden impact of hidden objects during use.
2. Danger of injury and property damage caused by flying objects or poor power tool accessories.



PRODUCT DESCRIPTION

- | | |
|-----------------------------------|----------------------------------|
| 1. Laser | 15. Auxiliary handle |
| 2. Dust extraction outlet | 16. Lock-off button |
| 3. Main handle | 17. On/off switch |
| 4. Battery pack release button | 18. Cutting depth scale |
| 5. Power bar button | 19. Lower guard |
| 6. Battery pack (not included) | 20. Base plate |
| 7. Cutting depth adjustment lever | 21. Lower guard retracting lever |
| 8. Spindle lock button | 22. Inner flange |
| 9. Cutting angle scale | 23. Saw blade |
| 10. Parallel guide fixing knob | 24. Outer flange |
| 11. 45° cutting indicating window | 25. Fixing bolt |
| 12. 0° cutting indicating window | 26. Hex key |
| 13. Cutting angle adjustment knob | 27. Parallel guide |
| 14. Upper guard | |

01 TECHNICAL SPECIFICATIONS

Circular saw

Rated voltage:	18V d.c.
Rated no load speed n_0 :	5400/min
Saw blade:	Ø165 x Ø16 mm
Max. cutting depth	
at 90°	61mm
at 45°	40mm
Cutting angle:	0° - 45°
Weight(without battery):	3.1 kg

Ambient temperature range for tool and battery use: -10°C to 40°C

For use with battery pack and charger as below:

Battery pack model: EBAT18-Li-2 / EBAT18-Li-4 / EBAT18-Li-5

Charger model: EC18-Li / EFC18-Li / EMC18-Li

NOISE DATA

A weighted sound pressure:	$L_{pA}=84.5\text{dB(A)}$
A weighted sound power:	$L_{WA}=95.5\text{dB(A)}$
Uncertainty:	$K_{pA} \text{ \& } K_{WA}=3.0\text{dB(A)}$

The noise for the operator may exceed 80 dB(A) and ear protection measures are necessary.

VIBRATION DATA

Vibration total values (triax vector sum) determined according to EN 62841:

Hand arm vibration-cutting wood	$a_{h,w} = 2.0\text{m/s}^2$
Uncertainty	$K=1.5\text{m/s}^2$

The declared vibration total values and the declared noise emission values have been measured in accordance with a standard test method (EN62841-1/EN62841-2-5) and may be used for comparing one tool with another; they may also be used in a preliminary assessment of exposure.



WARNING ! The vibration and noise emissions during actual use of the power tool can differ from the declared values depending on the ways in which the tool is used especially what kind of workpiece is processed; and need to identify safety measures to protect the operator that are based on an estimation of exposure in the actual conditions of use (taking account of all parts of the operating cycle such as the times when the tool is switched off and when it is running idle in addition to the trigger time).

RATING LABEL EXPLANATION**ECS18-Li = MODEL NUMBER**

E = ERBAUER
CS = CIRCULAR SAW
18 = 18 V d.c.
Li = LITHIUM ION

**ASSEMBLY****01 SYMBOLS**

Read the instruction manual



Wear eye protection



Wear hearing protection.



Wear a dust mask.



Do not dispose of battery packs in rivers or immerse in water.



Do not dispose of battery packs in fire. They will explode and cause injury.



Do not expose battery packs to heat in excess of 40°C



For wood cutting



Brushless motor



Keep Cool Battery Technology



Built in Laser Guide

yyWxx

Manufacturing date code: Year of manufacturing (20yy) and week of manufacturing (Wxx)

02 UNPACKING

Unpack all parts and lay them on a flat, stable surface.

- Remove all packing materials and shipping devices, if applicable.
- Make sure the delivery contents are complete and free of any damage. If you find that parts are missing or show damage do not use the product but contact your dealer. Using an incomplete or damaged product represents a hazard to people and property.
- Ensure that you have all the accessories and tools needed for assembly and operation. This also includes suitable personal protective equipment



WARNING! The product and the packaging are not children's toys! Children must not play with plastic bags, sheets and small parts! There is a danger of choking and suffocation!

03 ASSEMBLING THE MACHINE

CHARGING YOUR BATTERY PACK

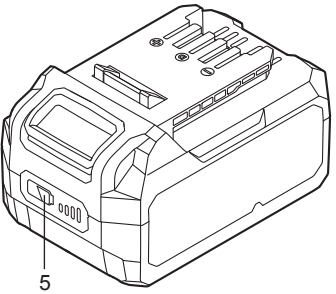





The battery has been shipped in a low charge condition. Charge it fully before first use. Refer to the charger instruction manual for the details.

TO REMOVE OR INSTALL THE BATTERY PACK (A1, A2)

Depress the battery pack release button to release and slide the battery pack out from your tool. After recharge, slide it back into your tool. A simple push and slight pressure will be sufficient.

BATTERY PACK POWER BAR

The Li-Ion battery pack (6) is equipped with a POWER BAR which is used to give an indication of the battery pack's remaining charge. Press the POWER BAR button (5) to check battery charge as below. The LED will stay lit for approximately 5 seconds.

	76-100% Charge	
	51-75% Charge	
	26-50% Charge	
	5-25% Charge	
	under 5% Charge	
Flash	On	Off

PARALLEL GUIDE (B)

Attach the parallel guide (27) from the right side to perform cuts parallel to the workpiece edges. Use the scale to adjust the desired width.

DUST EXTRACTION (C)



WARNING! Always attach a dust extraction device when using this product in order to keep the working area clean! Wear a dust mask when operating this product! Dust can be harmful to health! Especially dust and chips of wood that has been treated, e.g. with wood preservative or a stain!

Attach a proper dust extraction device, e.g. a suitable vacuum cleaner, to the dust extraction outlet (2).



USE

01 INTENDED USE

This product is intended for straight cuts in wood and similar material e.g. MDF and chipboard, with the installed blade. The product must not be used for cutting logs.

02 OPERATION

DEPTH ADJUSTMENT (D1, D2)



WARNING! Always switch the product off, remove the battery pack before making any adjustments! Always use the correct blade depth setting! The correct blade depth setting for all cuts should not be more than a full tooth of the blade teeth below the material being cut!

Push up the cutting depth adjustment lever (7) and lift the housing to desired depth. Use the depth scale (18) as a guide.

Push down the cutting depth adjustment lever (7) to secure the cutting height.



NOTE: The values shown on the depth scale are only valid for cutting 0° cuts! For bevel cuts the cutting depth will be smaller than indicated.

ANGLE ADJUSTMENT (E1, E2)



WARNING! Always switch the product off, remove the battery pack before making any adjustments!

Loosen the cutting angle adjustment knob (13) and tilt the housing to the desired angle. Use the cutting angle scale (9) as a guide.

Tighten the cutting angle adjustment knob (13) to secure the angle selected.

ON/OFF SWITCH (F)

Press and hold the lock-off button (16) then press the on/off switch (17) to switch the product on. To switch the product off just release the on/off switch.



NOTE: The lock off button can be operated from either side to allow left or right handed use.

LASER (G)

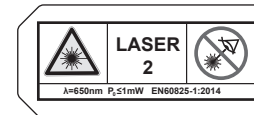
Switch the laser (1) on by slightly pressing the on/off switch (17).

Align the laser beam with the marked cutting line and move the product forward with even speed.

The laser will automatically turn off a short while after the on/off switch (17) is released.



NOTE: The laser can be turned on in advance to align the marked lines. Just press the on/off switch without unlocking the lock-off button.



WARNING! Do not stare into the beam, class 2 laser product!

PARALLEL CUTTING (H)

Attach the parallel guide to the product as described above and adjust to the desired width.

Switch the product on and wait until it runs at full speed before placing it on the workpiece.

Place the product laterally to the workpiece and use the parallel guide to guide the product along the workpiece.



NOTE: Apply light pressure against the parallel guide and move the product along the edge to achieve an even result.

BEVEL CUTTING (I)

Adjust the required cutting angle; ensure the cutting depth adjustment lever is properly tightened.

Switch the product on and wait until it runs at full speed before placing it on the workpiece.

Place the base plate flat on the workpiece and push the product forward at an even speed.

PLUNGE CUTTING (J)



WARNING! To avoid loss of control, always use extreme caution when making plunge cuts.

Mark the line of cut on the work piece.

Adjust the depth of cut as required.

Adjust the bevel setting to 0°.

Raise the lower guard retracting lever to expose the saw blade and firmly rest the front of the base flat against the workpiece with the main handle raised so the blade does not touch the workpiece.

With the blade just clearing the workpiece, start the motor by depressing the lock-off button and squeezing the on/off switch. Always let the blade reach full speed before you begin to cut into the workpiece.

Slowly lower the saw into the workpiece, using the front of the base resting on the workpiece as a hinge point. As soon as the blade starts cutting the material, release the lower blade guard lever.

Once the base plate is flat against the workpiece, cut in a forward direction to the end of the cut.

After completing your cut, release the on/off switch and allow the blade to come to a complete stop. Do not remove the saw from the workpiece while the blade is moving.

If the corners of your plunge cut are not completely cut through, use a jigsaw or hand saw to finish the corners.



WARNING! Always cut in a forward direction when making a plunge cut. Cutting in the reverse direction could cause the saw to climb up on the workpiece and back toward you, possibly causing serious injury. Never tie the lower blade guard in a raised position. Leaving the blade exposed could lead to serious injury.

SAW BLADE REPLACING (K, L)



NOTE: Check the saw blade before every use for damage and wear.

Replace it with a new one if required.

Only use a saw blade that is suitable for the intended application.

Do not use any abrasive wheels.



WARNING! Always use the correct saw blade according to the intended use! Observe the technical requirements of this product (see section Technical specifications) when purchasing and using saw blades! Saw blades are very sharp and become hot during use! Handle them carefully! Wear protective gloves when handling saw blades in order to avoid injuries like burns and cuts! Never press the spindle lock button whilst the spindle is rotating!

Place the product on a flat stable surface.

Lock the spindle by pressing the spindle lock button (8) and loosen the hex bolt (25) anticlockwise with the hex key (26)

Remove the hex bolt (25) and locking flange (24) from the spindle.

Open the lower guard (19) completely by moving the lower guard retracting lever (21) forward and hold it in position while removing the saw blade (23) from the spindle.

Put the saw blade aside and carefully move the lower guard retracting lever (21) back to its initial position to close the lower guard (19).

Clean the hex bolt (25) and locking flange (24) as well as the spindle and inside from dust.

Open the lower guard (19) completely by moving the lower guard retracting lever (21) forward and hold it in position while placing a new saw blade on the spindle. Ensure that the rotational direction indicated on the saw blade is the same as the one shown on the housing.

Carefully move the lower guard retracting lever (21) back to its initial position to close the lower (19) guard.

Secure the saw blade with the locking flange (24) and hex bolt (25). Tighten the hex bolt (26) clockwise.

Turn the blade by hand to test if it is rotating smoothly. The blade should not flutter.

Switch the product on and let it run idle for about one minute, to confirm that the saw blade has been installed properly. If you find any abnormal vibration or excessive noise switch the product off and re-fit the saw blade according to the above instructions.

OVERLOAD, TEMPERATURE AND CHARGING PROBLEM

Problem	Tool/ Battery Status	Possible cause	Solution
Overload protection	Product suddenly Stops; The LED work light (if fitted) is flashing	Extremely high torque, binding and stalling situations, overloading of the tool	Relieve the load immediately, reset the tool by switching off and back on again
Temperature extremely high	The first and the third LED light of the POWER BAR will be flashing alternately	Battery temperature exceeds 77°C during operation	Cool down the battery to below 77°C for operation and below 57°C for charging
Low charge	Power for the tool will drop quickly; The first LED on the POWER BAR begins to flash	The battery pack is under 5% charge	Remove the battery pack from the tool and charge it
Other problems	Short charges	Not fully charged	Make sure that the battery is fully charged every time by allowing the charger to complete its full charging cycle
		Poor storage condition	Always remove battery from the tool and charger when not in use and store in a dry secure place. Avoid charging or storing your battery in temperatures below 5°C and above 40°C. Cool down a hot battery pack from a tool that has just been operated for approximately 30 minutes before storage



CARE & MAINTENANCE

MAINTENANCE

Your tool requires no additional lubrication or maintenance. There are no user serviceable parts in your power tool. Never use water or chemical cleaners to clean your power tool. Wipe clean with a dry cloth. Always store your power tool in a dry place. Keep the motor ventilation slots clean. Keep all working controls free of dust.

RECYCLING AND DISPOSAL



Waste electrical products should not be disposed of with household waste. Please recycle where facilities exist. Check with your Local Authority or retailer for recycling advice.

For further information visit www.recycle-more.co.uk

DISPOSAL OF AN EXHAUSTED BATTERY PACK



To preserve natural resources, please recycle or dispose of the battery pack properly. This battery pack contains Li-Ion batteries. Consult your local waste authority for information regarding available recycling and/or disposal options. Discharge your battery pack by operating your tool, then remove the battery pack from the tool housing and cover the battery pack connections with heavy-duty adhesive tape to prevent short circuit and energy discharge. Do not attempt to open or remove any of the components.

REPAIR

This product does not contain any parts that can be repaired by the consumer. Contact an authorised service centre or a similarly qualified person to have it checked and repaired.

STORAGE

- Switch the product off and remove the battery pack.
- Clean the product as described above.
- Store the product and its accessories in a dark, dry, frost-free, well-ventilated place.
- Always store the product in a place that is inaccessible to children.
- We recommend using the original package for storage or covering the product with a suitable cloth or enclosure to protect it against dust.

TRANSPORTATION

- Switch the product off and remove the battery pack.
- Attach transportation guards, if applicable.
- Always carry the product by its handle.
- Protect the product from any heavy impact or strong vibrations which may occur during transportation in vehicles.
- Secure the product to prevent it from slipping or falling over.



GUARANTEE

At **Erbauer** we take special care to select high quality materials and use manufacturing techniques that allow us to create ranges of products incorporating design and durability. That's why we offer a 2 year trade guarantee against manufacturing defects on our **Erbauer** power tool products.

This power tool is guaranteed for 2 years from the date of purchase, if bought in store, delivered or bought online. You may only make a claim under this guarantee upon presentation of your sales receipt or purchase invoice. Please keep your proof of purchase in a safe place.

This guarantee covers product failures and malfunctions provided the **Erbauer** power tool was used for the purpose for which it is intended and subject to installation, cleaning, care and maintenance in accordance with standard practice and with the information contained above and in the user manual. This guarantee does not cover defects and damage caused by or resulting from:

- Normal wear and tear, including accessory wear
- Overload, misuse or neglect
- Repairs attempted by anyone other than an authorised agent
- Cosmetic damage
- Damage caused by foreign objects, substances or accidents
- Accidental damage or modification
- Failure to follow manufacturer's guidelines
- Loss of use of the goods

This guarantee is limited to parts recognised as defective. It does not, in any case, cover ancillary costs (movement, labour) and direct and indirect damage.

If the **Erbauer** power tool is defective during the guarantee period, then we reserve the right, at our discretion, to replace the item with a product of equivalent quality and functionality or to provide a refund.

This guarantee only applies to the country of purchase or delivery and is not transferrable to any other countries. This guarantee is non-transferrable to any other person or product. Relevant local law will apply to this guarantee.

Guarantee related queries should be addressed to a store affiliated with the distributor you purchased the **Erbauer** power tool from.

This guarantee is in addition to and does not affect your statutory rights relating to faulty goods as a consumer.



DECLARATION OF CONFORMITY



EU Declaration of Conformity

We
Kingfisher International Products Limited
3 Sheldon Square
London W2 6PX
United Kingdom

Declare that the product:
 Erbauer 18V cordless circular saw ECS18-Li
 Serial number 00001-99999

Complies with the essential health and safety requirements of the following directives:

2006/42/EC The Machinery Directive

References to the following harmonized standard were made:
 EN62841-1:2015
 EN62841-2-5:2014

2014/30/EU Electromagnetic Compatibility directive

References to the following harmonized standard were made:
 EN55014-1:2017
 EN55014-2:2015

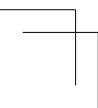
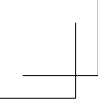
(EU) 2015/863 amending 2011/65/EU Restrictions of the Use of Certain Hazardous Substances in Electrical and Electronic Equipment

Authorised signatory and technical file holder:

Kingfisher International Products Limited
 3 Sheldon Square
 London W2 6PX
 United Kingdom

on: 18/06/2018

Lisa Davis
 Group Quality Director



Manufacturer • Fabricant • Producent • Hersteller • Producator • Fabricante:

Kingfisher International Products Limited
3 Sheldon Square London W2 6PX
United Kingdom
www.kingfisher.com/products

EN DISTRIBUTOR:

B&Q plc,
Chandlers Ford, Hants, SO53 3LE
United Kingdom
www.diy.com

Screwfix Direct Limited,
Trade House, Mead Avenue,
Yeovil, BA22 8RT, United Kingdom
www.screwfix.com

To view instruction manuals online,
visit www.kingfisher.com/products