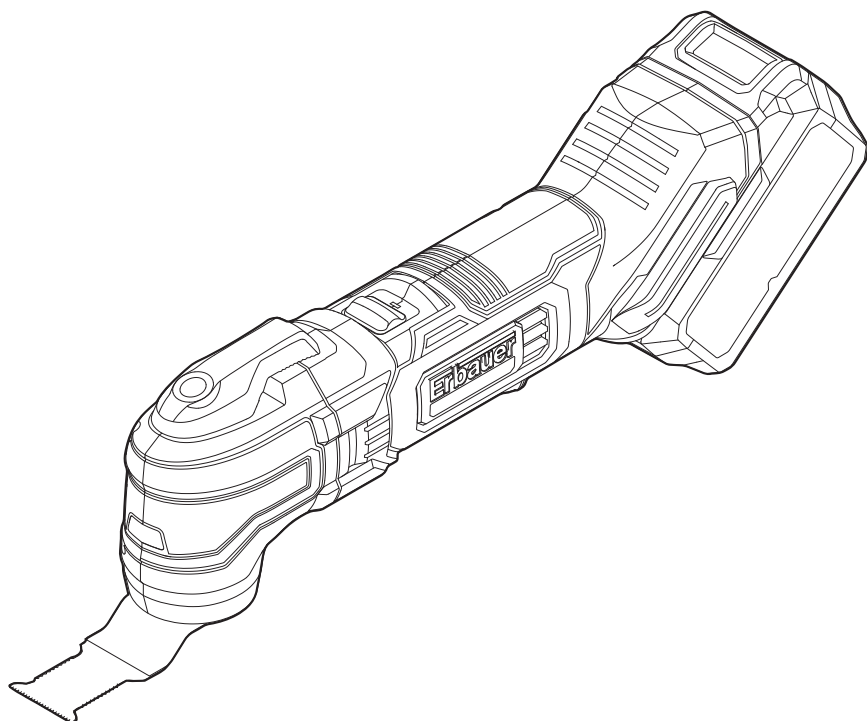




**Erbauer**



MNL\_EMT18-Li-QC\_V01\_180608

EAN. 3663602795148

# EMT18-Li-QC

ORIGINAL INSTRUCTIONS

EN



Safety instructions



Product description



Assembly



Use



+




Care & maintenance



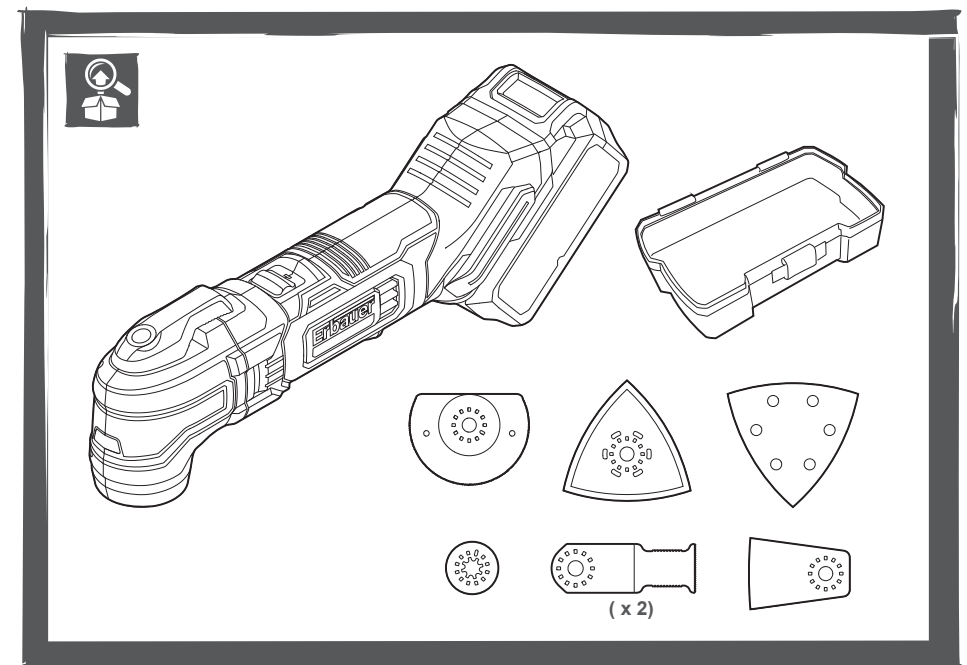
Guarantee



Declaration of Conformity

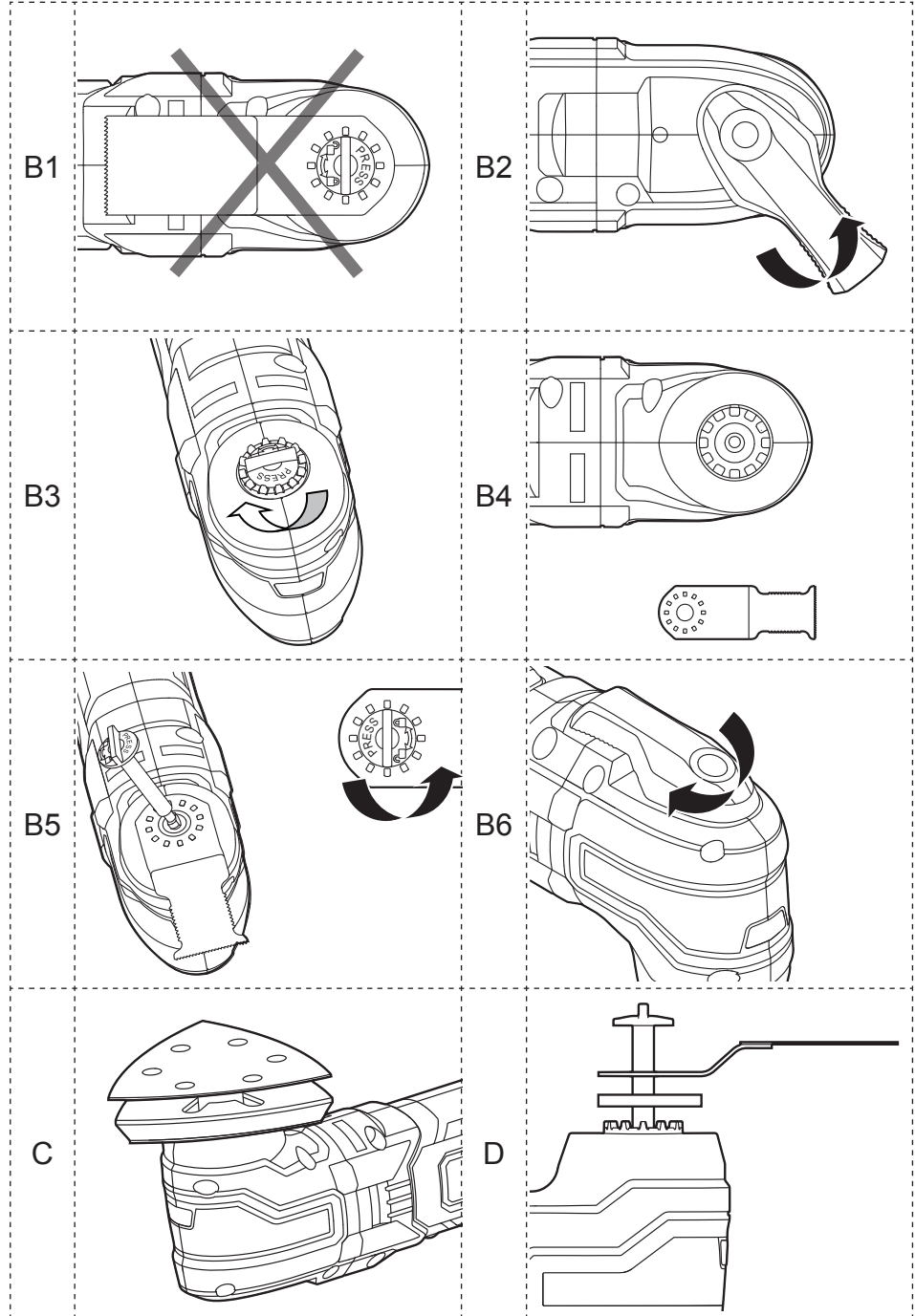
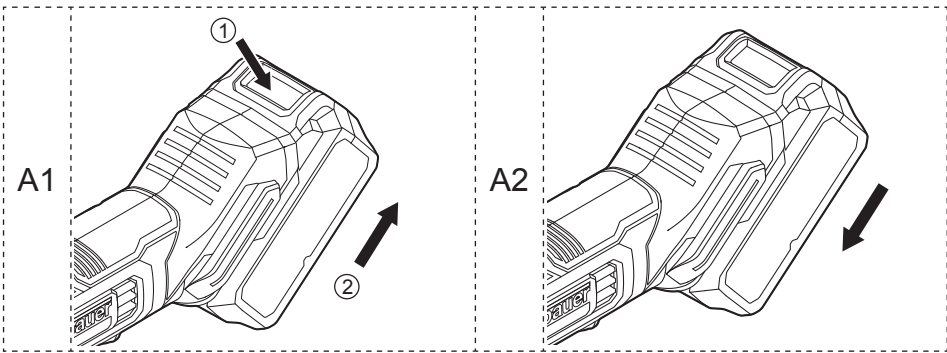
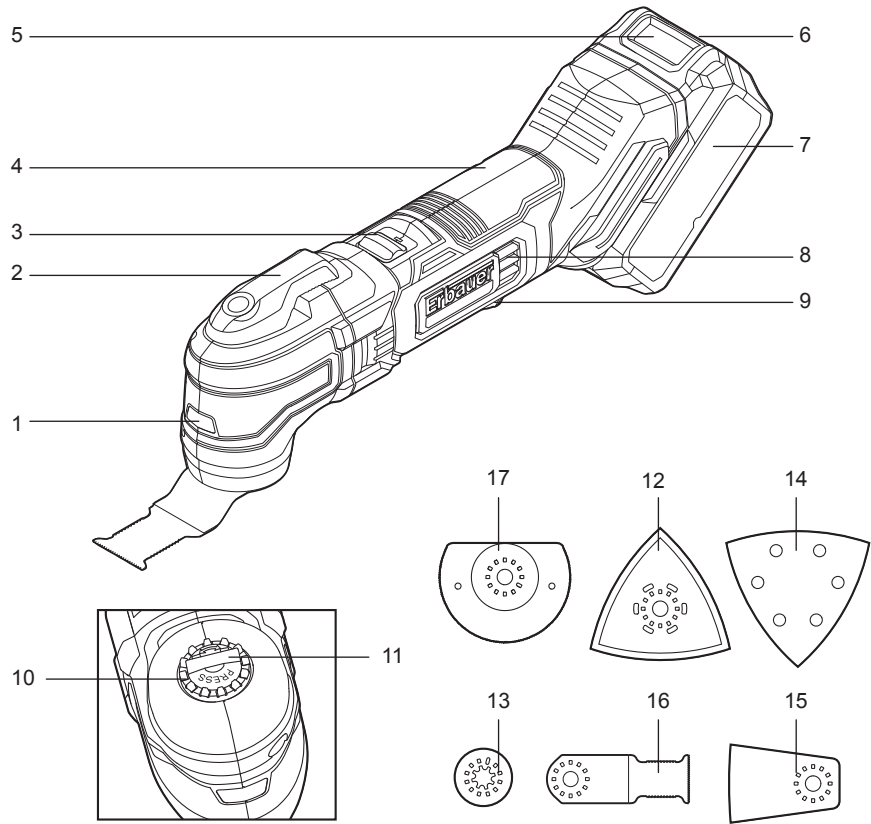


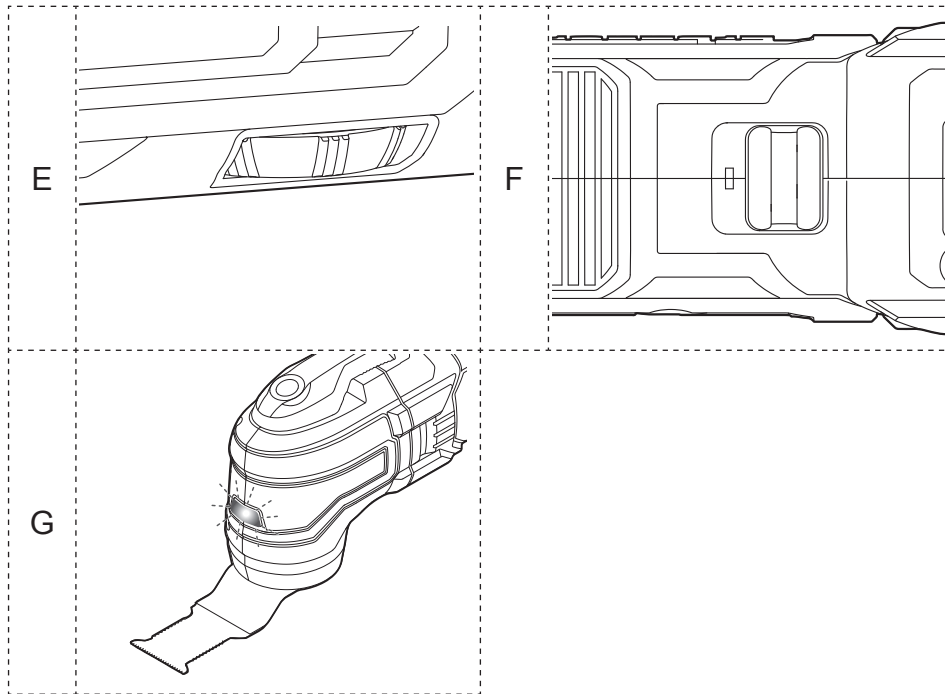
**WARNING!** Please read all safety warnings carefully and be sure that they are fully understood before handling the tool.



# PRODUCT DESCRIPTION





## SAFETY INSTRUCTIONS

### GENERAL POWER TOOL SAFETY WARNINGS



**WARNING!** Read all safety warnings, instructions, illustrations and specifications provided with this power tool. Failure to follow all instructions listed below may result in electric shock, fire and/or serious injury.

**Save all warnings and instructions for future reference.** The term “power tool” in the warnings refers to your mains-operated (corded) power tool or battery operated (cordless) power tool.”

### WORK AREA SAFETY

- Keep work area clean and well lit. Cluttered or dark areas invite accidents.
- Do not operate power tools in explosive atmospheres, such as in the presence of flammable liquids, gases or dust. Power tools create sparks which may ignite the dust or fumes.
- Keep children and bystanders away while operating a power tool. Distractions can cause you to lose control.

### ELECTRICAL SAFETY

- Power tool plugs must match the outlet. Never modify the plug in any way. Do not use any adapter plugs with earthed (grounded) power tools. Unmodified plugs and matching outlets will reduce risk of electric shock.
- Avoid body contact with earthed or grounded surfaces, such as pipes, radiators, ranges and refrigerators. There is an increased risk of electric shock if your body is earthed or grounded.

- c. **Do not expose power tools to rain or wet conditions.** *Water entering a power tool will increase the risk of electric shock.*
- d. **Do not abuse the cord. Never use the cord for carrying, pulling or unplugging the power tool. Keep cord away from heat, oil, sharp edges or moving parts.** *Damaged or entangled cords increase the risk of electric shock.*
- e. **When operating a power tool outdoors, use an extension cord suitable for outdoor use.** *Use of a cord suitable for outdoor use reduces the risk of electric shock.*
- f. **If operating a power tool in a damp location is unavoidable, use a residual current device (RCD) protected supply.** *Use of an RCD reduces the risk of electric shock.*

## PERSONAL SAFETY

- a. **Stay alert, watch what you are doing and use common sense when operating a power tool. Do not use a power tool while you are tired or under the influence of drugs, alcohol or medication.** *A moment of inattention while operating power tools may result in serious personal injury.*
- b. **Use personal protective equipment. Always wear eye protection.** *Protective equipment such as a dust mask, non-skid safety shoes, hard hat, or hearing protection used for appropriate conditions will reduce personal injuries.*
- c. **Prevent unintentional starting. Ensure the switch is in the off- position before connecting to power source and/or battery pack, picking up or carrying the tool.** *Carrying power tools with your finger on the switch or energising power tools that have the switch on invites accidents.*
- d. **Remove any adjusting key or wrench before turning the power tool on.** *A wrench or a key left attached to a rotating part of the power tool may result in personal injury.*
- e. **Do not overreach. Keep proper footing and balance at all times.** *This enables better control of the power tool in unexpected situations.*

- f. **Dress properly. Do not wear loose clothing or jewellery. Keep your hair, clothing away from moving parts.** *Loose clothes, jewellery or longhair can be caught in moving parts.*
- g. **If devices are provided for the connection of dust extraction and collection facilities, ensure these are connected and properly used.** *Use of dust collection can reduce dust-related hazards.*
- h. **Do not let familiarity gained from frequent use of tools allow you to become complacent and ignore tool safety principles.** *A careless action can cause severe injury within a fraction of a second.*

## POWER TOOL USE AND CARE

- a. **Do not force the power tool. Use the correct power tool for your application.** *The correct power tool will do the job better and safer at the rate for which it was designed.*
- b. **Do not use the power tool if the switch does not turn it on and off.** *Any power tool that cannot be controlled with the switch is dangerous and must be repaired.*
- c. **Disconnect the plug from the power source and/or remove the battery pack, if detachable, from the power tool before making any adjustments, changing accessories, or storing power tools.** *Such preventive safety measures reduce the risk of starting the power tool accidentally.*
- d. **Store idle power tools out of the reach of children and do not allow persons unfamiliar with the power tool or these instructions to operate the power tool.** *Power tools are dangerous in the hands of untrained users.*
- e. **Maintain power tools and accessories. Check for misalignment or binding of moving parts, breakage of parts and any other condition that may affect the power tools operation. If damaged, have the power tool repaired before use.** *Many accidents are caused by poorly maintained power tools.*

- f. **Keep cutting tools sharp and clean.** *Properly maintained cutting tools with sharp cutting edges are less likely to bind and are easier to control*
- g. **Use the power tool, accessories and tool bits etc. in accordance with these instructions, taking into account the working conditions and the work to be performed.** *Use of the power tool for operations different from those intended could result in a hazardous situation.*
- h. **Keep handles and grasping surfaces dry, clean and free from oil and grease.** *Slippery handles and grasping surfaces do not allow for safe handling and control of the tool in unexpected situations.*

#### BATTERY TOOL USE AND CARE

- a. **Recharge only with the charger specified by the manufacturer.** *A charger that is suitable for one type of battery pack may create a risk of fire when used with another battery pack.*
- b. **Use power tools only with specifically designated battery packs.** *Use of any other battery packs may create a risk of injury and fire.*
- c. **When battery pack is not in use, keep it away from other metal objects, like paper clips, coins, keys, nails, screws or other small metal objects, that can make a connection from one terminal to another.** *Shorting the battery terminals together may cause burns or a fire.*
- d. **Under abusive conditions, liquid may be ejected from the battery; avoid contact. If contact accidentally occurs, flush with water. If liquid contacts eyes, additionally seek medical help.** *Liquid ejected from the battery may cause irritation or burns.*
- e. **Do not use battery pack or tool that is damaged or modified.** *Damaged or modified batteries may exhibit unpredictable behaviour resulting in fire, explosion or risk of injury.*

- f. **Do not expose a battery pack or tool to fire or excessive temperature.** *Exposure to fire or temperature above 130 °C may cause explosion.*
- g. **Follow all charging instructions and do not charge the battery pack or tool outside the temperature range specified in the instructions.** *Charging improperly or at temperatures outside the specified range may damage the battery and increase the risk of fire.*

#### SERVICE

- a. **Have your power tool serviced by a qualified repair person using only identical replacement parts.** *This will ensure that the safety of the power tool is maintained.*
- b. **Never service damaged battery packs.** *Service of battery packs should only be performed by the manufacturer or authorized service providers.*

#### MULTI TOOL SAFETY WARNINGS

- a. **Hold power tool by insulated gripping surfaces, when performing an operation where the cutting accessory may contact hidden wiring.** *Cutting accessory contacting a "live" wire may make exposed metal parts of the power tool "live" and could give the operator an electric shock.*
- b. *Where possible, secure smaller workpieces to prevent them from moving under the tool.*
- c. *Do not force the tool; let the tool do the work at a reasonable speed. Overloading will occur if too much pressure is applied and the motor slows resulting in inefficient operating and possible damage to the motor.*
- d. *Only use application accessories in good condition. Do not use them if they are torn or worn.*
- e. *Do not touch the moving sanding sheet or blade.*
- f. *Do not treat the surface to be worked with solvent containing fluids. Materials being heated by the scraping can cause toxic vapours to develop.*



- g. Exercise extreme caution when handling the scraper accessory. The accessory is very sharp; danger of injury.*
- h. Keep your hands away from the cutting area. Do not reach under the material being cut.*
- i. Ensure that you have removed foreign objects such as nails and screws from the workpiece before commencing sanding.*
- j. Don't use it for wet sanding. For dry sanding only.*
- k. Do not continue to use worn, torn or heavily clogged sanding sheets.*
- l. Do not scrape wet or dampened materials (e.g. wallpaper) or on moist surfaces. Penetration of water into the machine increases the risk of an electric shock.*

#### **ADDITIONAL SAFETY WARNINGS FOR BATTERY**

- a. Do not connect the positive terminal and negative terminal of the battery to each other with any metal object (such as wire).*
- b. Do not carry or store battery together with necklaces, hairpins or other metal objects.*
- c. Do not pierce the battery with nails, strike the battery with a hammer, step on the battery or otherwise subject it to strong impacts or shocks.*
- d. Do not solder directly onto the battery.*
- e. Do not expose battery to water or salt water, or allow the battery to get wet.*
- f. Do not disassemble or modify the battery.*
- g. Do not place the battery in or near fire, on stoves or other high temperature locations. Do not place the battery in direct sunlight, or use or store the battery inside cars in hot weather.*
- h. Do not place the battery in microwave ovens, high-pressure containers or on induction cookware.*

- i. If you intend to store a battery for a period without use then store battery at room temperature (19°C to 25°C), charged to about 30 – 50% of capacity. When storing for very long periods boost charge the battery once per year to prevent over discharge.*

The following information applies to professional users only but is good practice for all users:

#### **ADDITIONAL SAFETY WARNING FOR CONSTRUCTION DUST**

The updated Control of Substances Hazardous to Health Regulations 1st October 2012 now also targets to reduce the risks associated with silica, wood and gypsumdusts. Construction workers are one of the at-risk groups within this because of the dust that they breathe: silica dust is not just a nuisance; it is a real risk to your lungs!

Silica is a natural mineral present in large amounts in things like sand, sandstone and granite. It is also commonly found in many construction materials such as concrete and mortar. The silica is broken into very fine dust (also known as Respirable Crystalline Silica or RCS) during many common tasks such as cutting, drilling and grinding. Breathing in very fine particles of crystalline silica can lead to the development of: Lung cancer Silicosis Chronic Obstructive Pulmonary Disorder/Chronic obstructive pulmonary disease (COPD) And breathing in fine particles of wood dust can lead to the development of Asthma. The risk of lung disease is linked to people who regularly breathe construction dust over a period of time, not on the odd occasion.

To protect the lung, the COSHH Regulations sets a limit on the amount of these dusts that you can breathe (called a Workplace Exposure Limit or WEL) when averaged over a normal working day. These limits are not a large amount of dust: when compared to a penny it is tiny – like a small pinch of salt: This limit is the legal maximum; the most you can breathe after the right controls have been used.

## HOW TO REDUCE THE AMOUNT OF DUST?

1. Reduce the amount of cutting by using the best sizes of building products. Use a less powerful tool e.g. a block cutter instead of angle grinder.
2. Using a different method of work altogether – e.g. using a nail gun to direct fasten cable trays instead of drilling holes first.
3. Please always work with approved safety equipment, such as those dust masks that specially designed to filter out microscopic particles and use the dust extraction facility at all time.

For more information please see the HSE website: <http://www.hse.gov.uk/construction> or <http://www.hse.gov.uk/pubns/cis69.pdf>



**WARNING!** Some dust particles created by power sanding, sawing, grinding, drill and other construction jobs contain chemicals known to cause cancer, birth defects or other reproductive harm. Some examples of these chemicals are:

- Lead from lead-based paints.
- Crystalline silica from bricks and cement and other masonry products.
- Arsenic and chromium from chemically treated timber.
- Your risk from these exposures varies, depending upon how often you do this type of work. To reduce your exposure to these chemicals:
- Work in a well-ventilated area.
- Work with approved safety equipment, such as those dust masks that are specially designed to filter microscopic particles

## VIBRATION

The European Physical Agents (Vibration) Directive has been brought in to help reduce hand arm vibration syndrome injuries to power tool users. The directive requires power tool manufacturers and suppliers to provide indicative vibration test results to enable users to make informed decisions as to the period of time a power tool can be used safely on a daily basis and the choice of tool.

### SEE TECHNICAL SPECIFICATIONS IN THE INSTRUCTION MANUAL FOR THE VIBRATION LEVELS OF YOUR TOOL.

The declared vibration emission value should be used as a minimum level and should be used with the current guidance on vibration. Calculating the actual period of use can be difficult and the HSE website has further information.

The declared vibration emission been measured in accordance with EN62841-1, EN62841-2-4 and may be used to compare one tool with another tool. The declared vibration emission value may also be used in preliminary assessment of exposure.



**WARNING!** The vibration emission value during actual use of the power tool can differ from the declared value depending on the ways in which the tool is used dependant on the following examples and other variations on how the tool is used:

- How the tool is used and the materials being cut or drilled.
- The tool being in good condition and well maintained.
- Use the correct accessories for the tool and ensure they are sharp and in good condition.
- The tightness of the grip on the handles.
- The tool is being used as intended by its design and these instructions.





**WARNING!** Identify safety measures to protect the operator that are based on an estimation of exposure in the actual conditions of use (taking account of all parts of the operating cycle such as the times when the tool is switched off and when it is running idle in addition to the trigger time).

While working with this power tool, hand/arm vibrations occur. Adopt the correct working practices in order to reduce the exposure to vibration. This tool may cause hand-arm vibration syndrome if its use is not adequately managed.

Helping to minimise your vibration exposure risk. ALWAYS use sharp chisels, drills and blades. Maintain this tool in accordance with these instructions and keep well lubricated (where appropriate).

Avoid using tools in temperatures of 10°C or less. Plan your work schedule to spread any high vibration tool use across a number of days.



**NOTE:** The use of other tools will reduce the users' total working period on this tool.

## HEALTH SURVEILLANCE

All employees should be part of an employer's health surveillance scheme to help identify any vibration related diseases at an early stage, prevent disease progression and help employees stay in work.

## RESIDUAL RISKS

**Even if you are operating this product in accordance with all the safety requirements, potential risks of injury and damage remain. The following dangers can arise in connection with the structure and design of this product:**

1. Injuries and damage to property due to broken attachments or the sudden impact of hidden objects during use.
2. Danger of injury and property damage caused by flying objects or poor power tool accessories.



## PRODUCT DESCRIPTION

- |                                |                                |
|--------------------------------|--------------------------------|
| 1. LED work light              | 10. Accessory attachment plate |
| 2. Quick-release lever         | 11. Flange bolt                |
| 3. On/off switch               | 12. Sanding pad                |
| 4. Gripping surface            | 13. Adaptor                    |
| 5. Battery pack release button | 14. Sanding sheet              |
| 6. Power bar button            | 15. Scraper                    |
| 7. Battery pack                | 16. Plunge cut blade           |
| 8. Air vents                   | 17. HCS semi circle blade      |
| 9. Speed dial                  |                                |

## 01 TECHNICAL SPECIFICATIONS

### Tool

Rated voltage:	18V d.c.
Rated no load speed:	11000-16000/min
Weight(without battery):	1.1 kg

### Battery

Battery pack model:	EBAT18-Li-4
Battery voltage:	18V d.c.
Battery capacity	4Ah
Battery cell:	Li-Ion 3.6V x 10pcs
Weight:	0.7 kg

Ambient temperature range for tool and battery use: -10°C to 40°C

### For use with battery pack and charger as below:

Battery pack model:	EBAT18-Li-2 / EBAT18-Li-4 / EBAT18-Li-5
Charger model:	EC18-Li / EFC18-Li / EMC18-Li

### NOISE DATA

A weighted sound pressure:	$L_{pA}=78.4\text{dB(A)}$
A weighted sound power:	$L_{wA}=89.4\text{dB(A)}$
Uncertainty:	$K_{pA} \& K_{wA}=3.0\text{dB(A)}$

The noise for the operator may exceed 80 dB(A) and ear protection measures are necessary.

### VIBRATION DATA

With sanding pad	$a_h=4.2\text{m/s}^2$
Uncertainty	$K=1.5\text{m/s}^2$

The declared vibration total values and the declared noise emission values have been measured in accordance with a standard test method(EN62841-1/EN62841-2-4) and may be used for comparing one tool with another; they may also be used in a preliminary assessment of exposure.



**WARNING!** The vibration and noise emissions during actual use of the power tool can differ from the declared values depending on the ways in which the tool is used especially what kind of workpiece is processed; and need to identify safety measures to protect the operator that are based on an estimation of exposure in the actual conditions of use (taking account of all parts of the operating cycle such as the times when the tool is switched off and when it is running idle in addition to the trigger time).

### RATING LABEL EXPLANATION

EMT18-Li-QC = MODEL NUMBER

**E** = ERBAUER  
**MT** = MULTI TOOL  
**18** = 18 V d.c.  
**Li** = LITHIUM ION  
**QC** = QUICK CHANGE



## ASSEMBLY

### 01 SYMBOLS



Read the instruction manual



Wear eye protection



Wear hearing protection.



Wear a dust mask.



Do not dispose of battery packs in rivers or immerse in water.



Do not dispose of battery packs in fire. They will explode and cause injury.



Do not expose battery packs to heat in excess of 40°C



For wood cutting



For soft metals cutting



Brushless motor



Keep Cool Battery Technology



Quick Change Accessory Technology

yyWxx

Manufacturing date code: Year of manufacturing (20yy) and week of manufacturing (Wxx)

### 02 UNPACKING

Unpack all parts and lay them on a flat, stable surface.

- Remove all packing materials and shipping devices, if applicable.
- Make sure the delivery contents are complete and free of any damage. If you find that parts are missing or show damage do not use the product but contact your dealer. Using an incomplete or damaged product represents a hazard to people and property.
- Ensure that you have all the accessories and tools needed for assembly and operation. This also includes suitable personal protective equipment.



**WARNING!** The product and the packaging are not children's toys!  
Children must not play with plastic bags, sheets and small parts! There is a danger of choking and suffocation!

### 03 ASSEMBLING THE MACHINE

#### CHARGING YOUR BATTERY PACK

The battery has been shipped in a low charge condition. Charge it fully before first use. Refer to the charger instruction manual for the details.

#### TO REMOVE OR INSTALL THE BATTERY PACK (A1, A2)

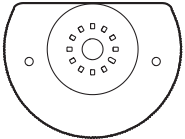
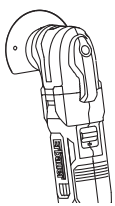

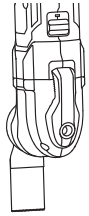
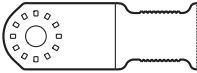
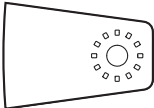
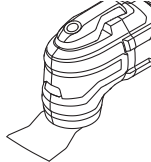
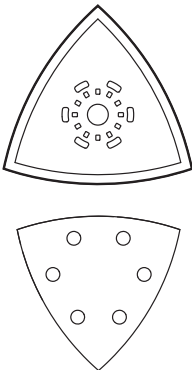
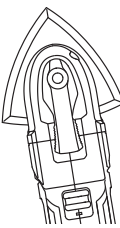

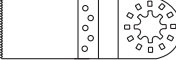
Depress the battery pack release button to release and slide the battery pack out from your tool. After recharge, slide it back into your tool. A simple push and slight pressure will be sufficient.

#### BATTERY PACK POWER BAR

The Li-Ion battery pack (7) is equipped with a POWER BAR which is used to give an indication of the battery pack's remaining charge. Press the POWER BAR button (6) to check battery charge as below. The LED will stay lit for approximately 5 seconds.

<p>6</p>	76-100% Charge	
	51-75% Charge	
	26-50% Charge	
	5-25% Charge	
	under 5% Charge	
Flash	On	Off

## SELECT THE ACCESSORY

Accessory		For materials	Application
	HCS semi circle blade	Wood, plastic, drywall, soft metals	
	Plunge cut blade (For wood)	Wood, plastic, drywall	
	Plunge cut blade (For metal)	Wood, plastic, soft metals	
	Scraper	Paint & varnish, bonded carpet, soft adhesives, vinyl flooring, wood and other floor coverings	
	Sanding Pad & Sanding Sheets	Bare or painted wood, plaster, and other materials	
	Adaptor for branded accessories		

## SELECT THE SANDING SHEETING

Sanding sheets are available with different grain sizes (grit), depending on the workpiece material and material removal.

Grit	Type	Example of use
60 or less	Very Coarse	Material removal, heavy paint removal, shaping wood
80-100	Coarse	Paint removal, rough surface preparation (e.g. non-planed wood)
120 – 150	Medium	Surface preparation planed wood
180 – 220	Fine	Sanding between coats
240 or more	Very Fine	Final finishing

## ATTACHING THE ACCESSORIES (B1-B6)



**WARNING!** Always wear protective gloves when changing accessories.

The edges of the application tools are sharp and can become very hot after working.

Always disconnect the tool from the power source when assembling, making adjustments, or changing accessories.

Turn the quick-release lever (2) anticlockwise until to hear a “click” sound. Press and turn the flange bolt (11) 90° clockwise and pull out to remove it.

Ensure that the accessory attachment plate (10) and the drive shaft are clean.

Align the grooves on the suitable accessory with the ribs on the attachment plate. Put the accessory onto the attachment plate (10).



**NOTE:** The accessory attachment plate is magnetic and will hold ferrous accessories in place.

Insert and depress the flange bolt (11) until you hear a click indicating that the flange bolt (11) has engaged in the shaft. Press and turn the flange bolt (11) anticlockwise for 90°.

Turn the quick-release lever (2) back to lock the drive shaft.



**WARNING!** Check that the accessories are correctly attached. Incorrect or insecurely fastened application tools can come loose during operation and cause a hazard.



**NOTE:** Attach the accessories at the desired orientation for the task at hand. The shaft is configured so that the accessory can be attached at 30° intervals around the shaft, from 0° to 330°.

### ATTACHING SANDING SHEETS (C)

Align the sanding sheet(14) with the sanding pad(12).

Press the sheet firmly in place.

To remove the sheet, simply pull it off

If one point has become worn, peel off the sanding sheet, turn it 120° and attach again.

### USING ADAPTOR (D)



**NOTE:** The adaptor can be used to install branded accessories.

Put the “Adaptor” (13) on the accessory attachment plate. Place correct branded accessory on top of adaptor.

With your gloved hand holding the accessory, insert and depress the flange bolt (11) until you hear a click indicating that the accessory is secured. Press and turn the flange bolt (11) anticlockwise for 90°.



## USE

### 01 INTENDED USE

This product is intended for sanding (not for plaster/drywalls) and scraping, as well as for cutting wood, plaster, plastics and soft (non-ferrous) metals, by using appropriate accessories. It should not be used for working on materials that are dangerous to health.

### 02 OPERATION

#### VARIABLE SPEED CONTROL (E)

The variable speed feature of this tool enables the speed to be adjusted according to the accessory being used and material being cut, scrapped or sanded.

The speed dial (9) is numbered “1” to “6”, with position “1” being the lowest speed and position “6” being the highest speed.

#### ON/OFF SWITCH (F)

To turn the tool ON, push the on/off switch (3) forward. To turn it OFF, push the switch backward.

#### LED WORK LIGHT (G)

The LED work light (1) will automatically illuminate when you turn the tool ON, and will turn off after you turn the tool OFF. This provides additional light on the surface of the workpiece for operation in lower light situations.

#### Sanding



**WARNING!** Do not continue to use the tool with a sanding sheet that is over worn or damaged.

Do not use the same sanding sheet for wood and metal.

Metal particles become embedded in the sanding sheet and will scour a wooden surface.

The removal rate and the sanding pattern are determined by the choice of sanding sheet and the work surface.

Apply uniform sanding pressure to extend the life of the sanding sheets.

Intensifying the sanding pressure does not lead to an increase of the sanding capacity, but instead it increases wear on the machine and the sanding sheet.

Use only the tip or an edge of the sanding sheet for precise sanding of edges, corners and hard to reach areas.

When selectively sanding on one spot, the sanding sheet can heat up considerably.

Remove the tool from the surface periodically to permit the sanding sheet to cool down.



A sanding sheet that has been used for metal should not be used for other materials.  
Use only original sanding accessories.

### Scraping

The tool is suitable for scraping and removing surface coverings. For scraping, select a high speed setting.

To remove surface covers, place the scraping blade vertically on the work piece.

Switch the tool on and cut down through the covering.

Place the tool at a flat angle (not over 20°) and apply a light forward pressure to remove the covering.

### Plunge cut



**WARNING!** Only plunge cut in soft materials such as plaster or wood!  
Do not cut any hard materials such as steel and other ferrous metals!

This is suitable for cutting and plunge cuts, close to the edge sawing, sawing in corners and confined spaces.

Use appropriate blades.

Mark the cutting line on the workpiece.

Turn on the tool and use light pressure in the direction of plunging.

Move the saw along the mark.

## OVERLOAD, TEMPERATURE AND CHARGING PROBLEM

Problem	Tool/ Battery Status	Possible cause	Solution
Overload protection	Product suddenly Stops; The LED work light (if fitted) is flashing	Extremely high torque, binding and stalling situations, overloading of the tool	Relieve the load immediately, reset the tool by switching off and back on again
Temperature extremely high	The first and the third LED light of the POWER BAR will be flashing alternately	Battery temperature exceeds 77°C during operation	Cool down the battery to below 77°C for operation and below 57°C for charging
Low charge	Power for the tool will drop quickly; The first LED on the POWER BAR begins to flash	The battery pack is under 5% charge	Remove the battery pack from the tool and charge it
Other problems	Short charges	Not fully charged	Make sure that the battery is fully charged every time by allowing the charger to complete its full charging cycle
		Poor storage condition	Always remove battery from the tool and charger when not in use and store in a dry secure place. Avoid charging or storing your battery in temperatures below 5°C and above 40°C. Cool down a hot battery pack from a tool that has just been operated for approximately 30 minutes before storage



## CARE & MAINTENANCE

### MAINTENANCE

Your tool requires no additional lubrication or maintenance. There are no user serviceable parts in your power tool. Never use water or chemical cleaners to clean your power tool. Wipe clean with a dry cloth. Always store your power tool in a dry place. Keep the motor ventilation slots clean. Keep all working controls free of dust.

### RECYCLING AND DISPOSAL



Waste electrical products should not be disposed of with household waste. Please recycle where facilities exist. Check with your Local Authority or retailer for recycling advice.

For further information visit [www.recycle-more.co.uk](http://www.recycle-more.co.uk)

### DISPOSAL OF AN EXHAUSTED BATTERY PACK



To preserve natural resources, please recycle or dispose of the battery pack properly. This battery pack contains Li-Ion batteries. Consult your local waste authority for information regarding available recycling and/or disposal options. Discharge your battery pack by operating your tool, then remove the battery pack from the tool housing and cover the battery pack connections with heavy-duty adhesive tape to prevent short circuit and energy discharge. Do not attempt to open or remove any of the components.

### REPAIR

This product does not contain any parts that can be repaired by the consumer. Contact an authorised service centre or a similarly qualified person to have it checked and repaired.

### STORAGE

- Switch the product off and remove the battery pack.
- Clean the product as described above.
- Store the product and its accessories in a dark, dry, frost-free, well-ventilated place.
- Always store the product in a place that is inaccessible to children.
- We recommend using the original package for storage or covering the product with a suitable cloth or enclosure to protect it against dust.

### TRANSPORTATION

- Switch the product off and remove the battery pack.
- Attach transportation guards, if applicable.
- Always carry the product by its handle.
- Protect the product from any heavy impact or strong vibrations which may occur during transportation in vehicles.
- Secure the product to prevent it from slipping or falling over.



## GUARANTEE

At **Erbauer** we take special care to select high quality materials and use manufacturing techniques that allow us to create ranges of products incorporating design and durability. That's why we offer a 2 year trade guarantee against manufacturing defects on our **Erbauer** power tool products.

This power tool is guaranteed for 2 years from the date of purchase, if bought in store, delivered or bought online. You may only make a claim under this guarantee upon presentation of your sales receipt or purchase invoice. Please keep your proof of purchase in a safe place.

This guarantee covers product failures and malfunctions provided the **Erbauer** power tool was used for the purpose for which it is intended and subject to installation, cleaning, care and maintenance in accordance with standard practice and with the information contained above and in the user manual. This guarantee does not cover defects and damage caused by or resulting from:

- Normal wear and tear, including accessory wear
- Overload, misuse or neglect
- Repairs attempted by anyone other than an authorised agent
- Cosmetic damage
- Damage caused by foreign objects, substances or accidents
- Accidental damage or modification
- Failure to follow manufacturer's guidelines
- Loss of use of the goods

This guarantee is limited to parts recognised as defective. It does not, in any case, cover ancillary costs (movement, labour) and direct and indirect damage.

If the **Erbauer** power tool is defective during the guarantee period, then we reserve the right, at our discretion, to replace the item with a product of equivalent quality and functionality or to provide a refund.

This guarantee only applies to the country of purchase or delivery and is not transferrable to any other countries. This guarantee is non-transferrable to any other person or product. Relevant local law will apply to this guarantee.

Guarantee related queries should be addressed to a store affiliated with the distributor you purchased the **Erbauer** power tool from.

This guarantee is in addition to and does not affect your statutory rights relating to faulty goods as a consumer.

EN



## DECLARATION OF CONFORMITY



### EU Declaration of Conformity

**We**  
**Kingfisher International Products Limited**  
**3 Sheldon Square**  
**London W2 6PX**  
**United Kingdom**

Declare that the product:  
Erbauer 18V cordless multi tool EMT18-Li-QC  
Serial number 00001-99999

Complies with the essential health and safety requirements of the following directives:

2006/42/EC The Machinery Directive  
References to the following harmonized standard were made:  
EN 62841-1:2015  
EN 62841-2-4:2014

2014/30/EU Electromagnetic Compatibility directive  
References to the following harmonized standard were made:  
EN 55014-1:2017  
EN 55014-2:2015

(EU) 2015/863 amending 2011/65/EU Restrictions of the Use of Certain Hazardous Substances in  
Electrical and Electronic Equipment

Authorised signatory and technical file holder:

Kingfisher International Products Limited  
3 Sheldon Square  
London W2 6PX  
United Kingdom  
on: 18/06/2018

Lisa Davis  
Group Quality Director

**Manufacturer • Fabricant • Producent • Hersteller • Producator • Fabricante:**

Kingfisher International Products Limited  
3 Sheldon Square London W2 6PX  
United Kingdom  
[www.kingfisher.com/products](http://www.kingfisher.com/products)

**EN DISTRIBUTOR:**

B&Q plc,  
Chandlers Ford, Hants, SO53 3LE  
United Kingdom  
[www.diy.com](http://www.diy.com)

Screwfix Direct Limited,  
Trade House, Mead Avenue,  
Yeovil, BA22 8RT, United Kingdom  
[www.screwfix.com](http://www.screwfix.com)

To view instruction manuals online,  
visit [www.kingfisher.com/products](http://www.kingfisher.com/products)