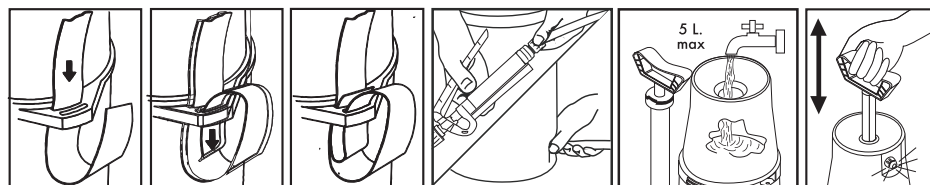


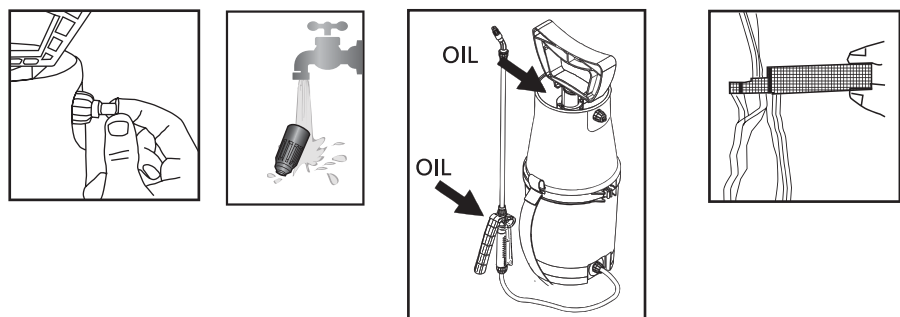
1



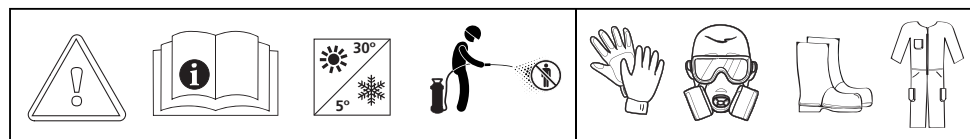
2



3



4



12/18

active
AP PROSERIES
 PERFORMANCE SPRAYERS
 WHEEL CLEANER

Thanking you for the trust placed in us. Please read this instruction sheet carefully before using the sprayer.



Code A52743

Ref. 8.38.11.200.4

1 FIELD OF APPLICATION

This sprayer is manufactured from highly resistant materials to provide versatility of use in cleaning applications. It is especially suitable for acids and neutral cleaners in jobs such as car washing, cleaning and disinfection. Also suitable to be used on construction sites, industrial workshops, in the garden & home.

Do not use the sprayer with: high alkalines, flammable liquids, acetone and hidrocarbon based solvents.

Given the great variety of products in the market, we cannot guarantee the universal validity of its equipment. In any case, we recommend using certified chemicals and never exceeding recommended doses.

2 SETTING UP & SPRAYING

- 1) Assemble the strap onto the sprayer.
- 2) Attach the hose to the handle and to the bottom of the tank.
- 3) Screw the lance to the handle and the elbow with the desired nozzle to the lance.
- 4) Unscrew the tank chamber by turning it anti-clockwise. Fill the tank to the maximum level indicated in each model.
- 5) Screw the entire chamber tightly into the tank.
- 6) Pressurise the device by pumping approximately 20 times. The safety valve will indicate the pressure in the tank. The green indicator shows that the pressure is sufficient, while the red indicator shows that the pressure will be released, as it has reached the maximum level.

3 MAINTENANCE

- 1) After each use, depressurise the sprayer.
- 2) Collect and dispose of the residual amount according to the legislation, prescriptions, and applicable regulations.
- 3) Clean the appliance with water.
- 4) In the event of obstruction of the nozzle, clean it with water and do not use metallic objects.
- 5) In order to prolong the life of the joints, regularly apply some drops of oil or grease on the moving parts.
- 6) In the event of obstruction of the handle, release the handle and clean the filter.
- 7) To replace the retainer, loosen the tab of the chamber and remove the rod.
- 8) Store the sprayer indoors protected from frost and extreme heat (between 5°C and 30°C (40°F & 85°F)).

4 USES AND SAFETY REGULATIONS

- 1) Always follow the instructions and dosages on the packaging labels that the manufacturer recommends for the chemical product to be used.
- 2) To prevent any accidental swallowing of the product, do not eat, drink or smoke during the preparation and spraying process.
- 3) Do not spray on people, animals, electrical installations, flames, open fire, or other sources of ignition.
- 4) In case of poisoning, consult your doctor, taking the chemical product packaging with you.
- 5) Never dispose of waste product or cleaning residues near water courses, wells, etc.
- 6) Use suitable safety equipment, mask, goggles, gloves, footwear etc in order to avoid contact of chemical products with skin, eyes and mouth.
- 7) Read the instructions for the sprayer before use. Do not modify the sprayer. Do not connect it to an external pressure source (manual use only). Do not obstruct or strike the safety valve. Do not use the sprayer if it is damaged, deformed or altered from its original shape. Store the sprayer protected from frost and extreme heat (between 5°C and 30° C (40°F & 85°F)). Should the hose, tank, handle or any of its connections be damaged, do not attempt to repair but replace the items with new parts.
- 8) Keep sprayer out of the reach of children.
- 9) Use the device only with compatible substances (Scope of Application).
- 10) The safety valve should not be removed.
- 11) Never purge nozzles or valves by blowing with your mouth.
- 12) Use only original spare parts and accessories.
- 13) We will not be held liable for any damage caused by the use of non-original parts.
- 14) Depressurise the tank completely before filling, after use and before carrying out work relating to maintenance.

5 INFORMATION

After sales service: please contact

Tel: 01371 872842

email: info@active-products.co.uk

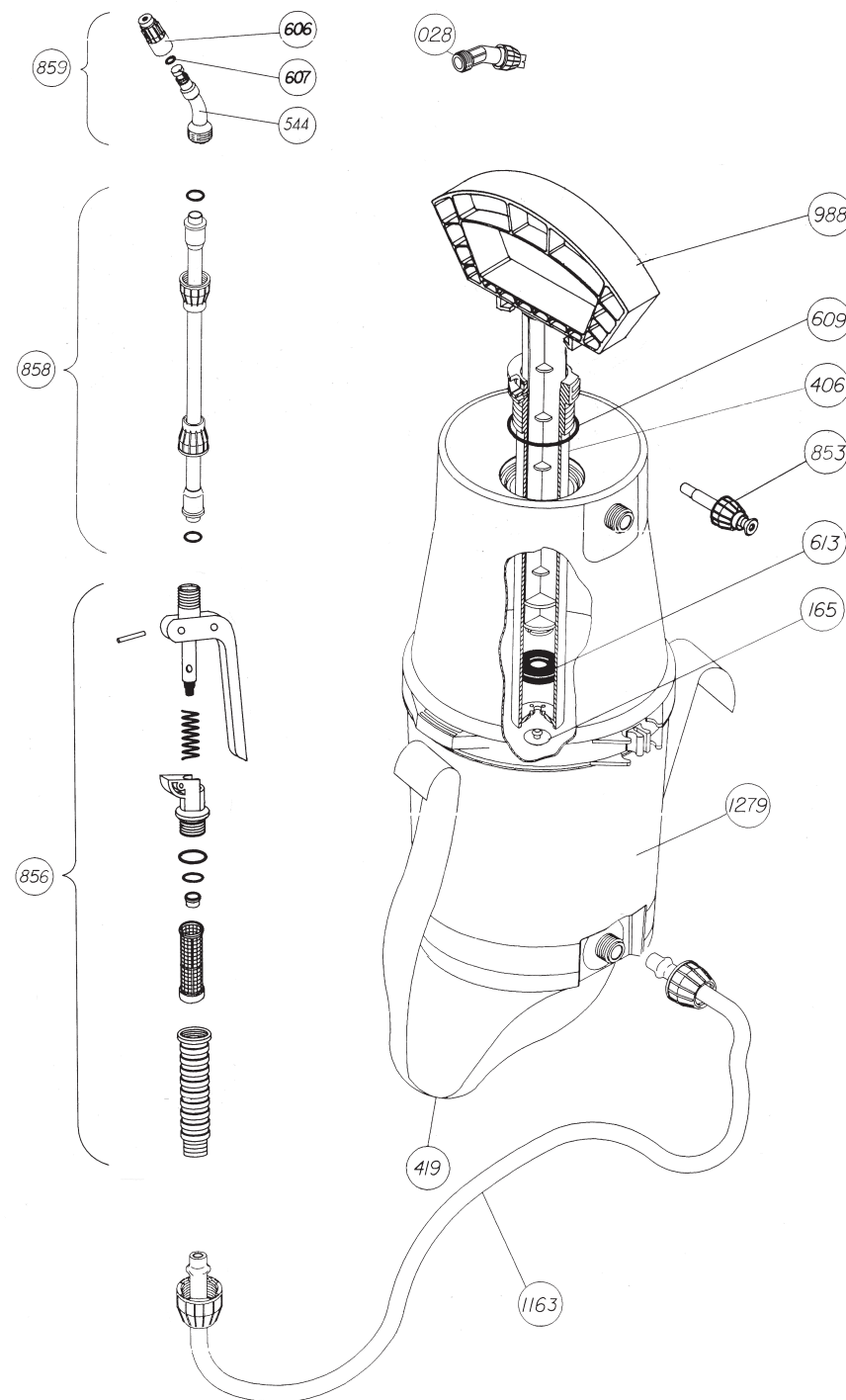
Active Products (UK) Ltd
Barnston Warehouse
Chelmsford Road
Great Dunmow
ESSEX
CM6 1LP

Product Code A52743

After sales spares: please contact

Tel: 0170 2297134

email: sales@solosprayers.co.uk



N°	COD.	Q	
28	8.34.44.815.1	1	COMPLETE ELBOW
165	8.38.05.314.1	1	CHAMBER VALVE
406	8.38.46.303	1	CHAMBER
419	8.38.48.420	1	STRAP
544	8.28.40.322	1	SPRAYER
606	8.39.02.323.3	1	NOZZLE Ø1
607	2.23.16.905	1	ROUND GASKET AN-5
609	2.23.16.930	1	ROUND GASKET AN-30
613	8.38.11.314	1	COLLAR SEAL
853	8.38.11.806	1	SAFETY VALVE
856	8.38.11.821	1	COMPLETE HANDLE
858	8.38.11.828	1	TUBE WITH NUTS
859	8.38.11.803	1	ELBOW WITH NOZZLE
988	8.28.84.601	1	COMPLETE CYLINDER
1163	8.38.11.835	1	HOSE
1279	8.38.11.305	1	TANK
	8.38.11.200.4	1	INSTRUCTION SHEET
	8.38.11.224	1	PACKAGING

The following table shows several examples of the most frequently used aggressive substances and the model recommended for each use. Follow the maximum percentages indicated.

Given the great variety of products in the market, we cannot guarantee the universal validity of its equipment. In any case, we recommend using certified chemicals and never exceeding recommended doses.

		520GF	434GF
ACIDS	HYDROCHLORIC ACID (MAX 20%)	✓✓	✗
	HYDROFLUORIC ACID (MAX 10%)	✓✓	✗
	PHOSPHORIC ACID	✓✓	✗
	NITRIC ACID (MAX 10%)	✓✓	✗
	SULPHURIC ACID (MAX 20%)	✓✓	✗
	OTHER ACIDS	✓✓	✗
ALCOHOLS	BUTANOL	✓	✓✓
	ETHANOL	✓	✓✓
	METHANOL	✓	✓✓
	OTHER ALCOHOLS	✓	✓✓
ALKALINE AND KETONES	AMMONIA	✓	✓
	SODIUM HYDROXIDE (CAUSTIC SODA)	✗	✓
	POTASSIUM HYDROXIDE (CAUSTIC POTASH)	✗	✓
	SODIUM HYPOCHLORITE	✓	✓
	NEUTRAL CLEANERS	✓✓	✓✓
	SURFACTANT SOAPS (FOAMING AGENTS - for generation of FOAM)	✗	✗

✓✓ OPTIMAL
 ✓ SUITABLE
 ✗ NOT VALID