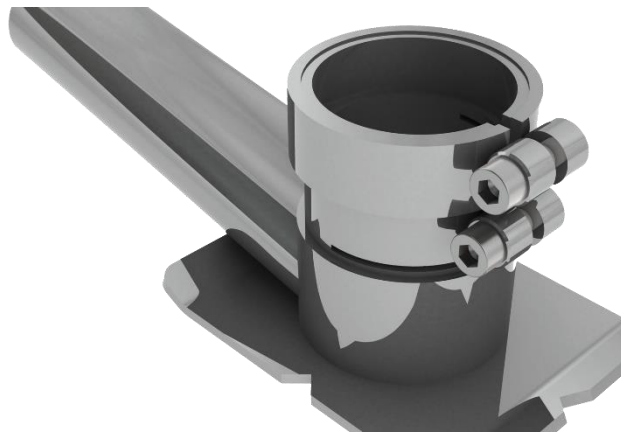


MARCRIST

MORTAR RAKING DUST GUARD INSTRUCTION MANUAL



Part number: **430.003.002**

DUST GUARD UNIT FOR MORTAR RAKING PINS

To reduce the risk of injury, please read through this manual carefully and follow all steps.

1. PREPARATION

- Before you begin, check to determine the hazard classification of the dust produced. Always use a dust extractor vacuum of the appropriate, officially approved safety class that is in compliance with your local dust hazard control regulations.
- To ensure correct use, always check if the mortar raking dust guard is properly mounted on an angle grinder. Do NOT use it if the guard has not been securely fitted on to the machine.
- This mortar raking dust guard is suitable for most popular 115mm and 125mm angle grinders and the plate will fit directly on to a 50mm machine collar or with the relevant adaptor fitted either 45, 43, 42.5 & 41mm variants. Please contact Marcrist technical support team for guidance if you are not sure on (0) 1302 890 888.
- This guard has been designed for dust removal of mortar raking only.
- This guard should only be used with a diamond rake pin or tungsten carbide pin. Please note a raking pin is NOT included in this set.
- Check before use for any damage on the dust guard and do NOT use when the tool is damaged as this could lead to a serious accident.
- Always use protective equipment while using the dust guard.



Dust mask



Safety glasses



Hearing protection

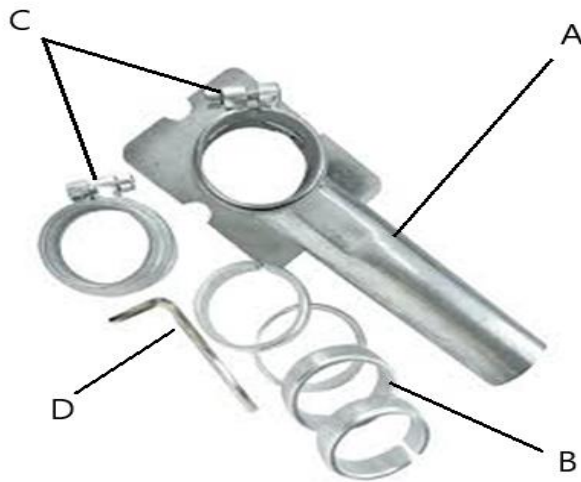


Safety gloves

2. ASSEMBLY

To reduce the risk of injury, always turn off the machine and disconnect from the power source before installing any attachments or accessories. With cordless angle grinders please remove the battery.

Picture 1



What's included:

- A** – Sole metal guide plate with an adaptor for an extractor unit hose
- B** – Aluminium adjustment rings in different sizes to fit over the wheel collar guard of your angle grinder (45, 43, 42.5 & 41mm variants) & 50mm option if used without any adjustment ring
- C** – Tightening screws for an allen key
- D** – Allen key/ 5mm hex key for quick

Step 1 - removing the angle grinder's guard

Follow the mounting and removing guard instruction within the angle grinder manual to remove the guard from the tool. Please note that some types of Bosch angle grinders are equipped with an O-ring which also needs to be removed.

Step 2 - installing the dust guard

Choose the correct size of the aluminium adjustment ring for your angle grinder type. Put the ring on the top of the metal guide plate and tighten the bottom screw. Place the metal guide plate on the angle grinder's gear case and tighten with the included allen key.

Step 3 - mounting the mortar raking pin

Follow your angle grinder manual for replacing consumables and mount the mortar raking pin securely.

Step 4 - dust extraction vacuum

Ensure the dust extraction vacuum hose is securely connected with the dust guard hose adaptor. The amount of dust retained by the dust extractor unit depends on its filter system and the suction power. Please refer to the dust extractor vacuum instruction manual for further information.

3. OPERATION

- Ensure all assembly instructions have been followed and turn the dust extractor vacuum on as instructed within the manual.
- Turn the angle grinder on as per the tool instruction manual and allow it to reach full speed before making contact with work surface.
- Position the machine parallel to the work surface and let the guide plate assist in accurate mortar removal. Both vertical and horizontal mortar raking is possible.
- When mortar raking is complete, turn the tool off and disconnect from the power source. Allow the tool to stop completely before laying it down to avoid injury.
- This mortar raking dust guard has been designed to allow all types of mortar raking work, to be completed easily and dust free when linked to a suitable vacuum extractor unit. The clearance depth of the raking process can be adjusted to your requirements.
- For your own safety, please read the instruction manual for both the grinding tool and the dust extraction vacuum before using any accessory. Failure to read these manuals may result in personal injury and serious damage to the tool and the accessory.