

## Installation Instructions for - LCGN3P & LCGN4P

# QUICK Connekt3

# QUICK Connekt4

These instructions should be carefully read before and retained after installation for future reference.

### SAFETY

- Before installation please ensure that the mains supply is switched off and the circuit supply fuses are removed or circuit breakers turned off.
- It is recommended that a qualified electrician is consulted to ensure connector is installed to the current edition of the IET wiring regulations.
- These couplers are suitable for installation in NON-READILY accessible areas.
- This system is NOT a replacement for a domestic plug and socket outlet system.
- Installation couplers are intended for connection and disconnection without load.
- Any dangerous compatibility between different manufacturer installation coupler system is not automatically prevented by compliance with IEC EN 61535.

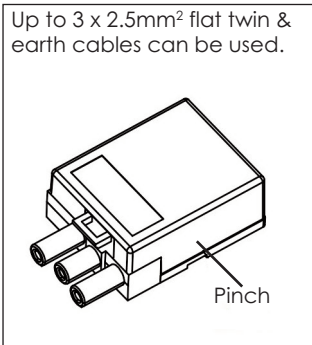
### INSTALLATION

1. Remove cover as shown below.
2. Strip cables back to the appropriate lengths. (Earth must be 8mm longer than the Live & Neutral)
3. Offer cable to the terminal, ensuring there are no stray strands of wire.
4. Screw down tight on to the cable, make sure the cable cannot be pulled out.
5. Press the cables into the clamps & replace cover.
6. Lock cover in to place.

### LCGN3P INFORMATION

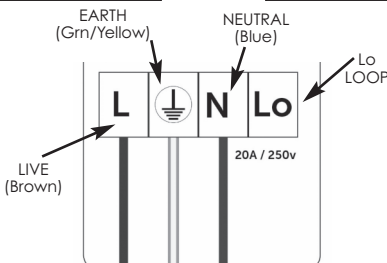
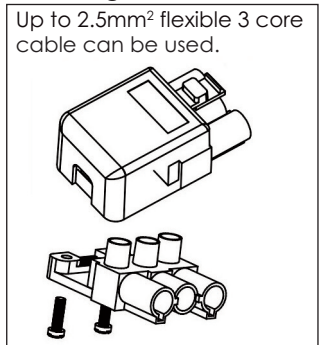
#### Female Socket

Up to 3 x 2.5mm<sup>2</sup> flat twin & earth cables can be used.



#### Male Plug

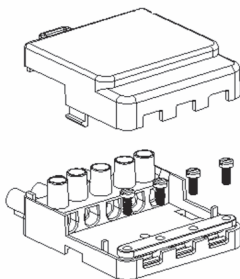
Up to 2.5mm<sup>2</sup> flexible 3 core cable can be used.



# LCGN4P INFORMATION

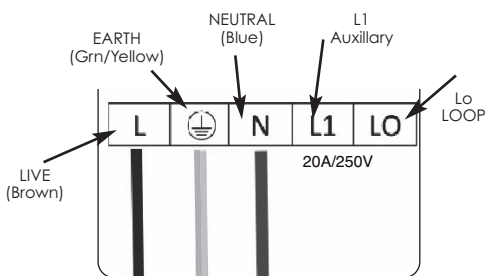
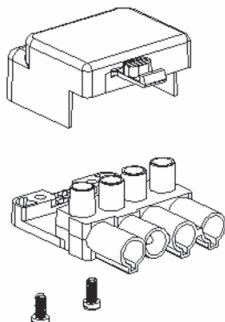
## Female Socket

Up to 3 x 2.5mm<sup>2</sup> flat twin & earth cables can be used.



## Male Plug

Up to 1 x 2.5mm<sup>2</sup> flexible 4 core cable can be used.



## TECHNICAL INFORMATION

Max Voltage:	250V/ 20Amp
IP Rating:	IP20
Connector Material:	Solid Ni plated Brass
Dimensions (LCGN3P):	L110 x W42 x H22.3mm
Dimensions (LCGN4P):	L113 x W55 x H23.5mm
Weight (LCGN3P):	0.055Kg
Weight (LCGN4P):	0.079Kg
Conforms To:	EN 61535

**PLEASE KEEP THESE INSTRUCTIONS  
SAFE FOR FUTURE REFERENCE**

**GUARANTEE**  
*Your GreenBrook Lighting Connector  
is guaranteed for 1 year from  
the date of purchase.  
This is in addition to your statutory rights.*



**GREEN  
BROOK**  
ELECTRICAL  
WEST ROAD . HARLOW  
ESSEX . CM20 2BG . UK  
info@greenbrook.co.uk  
www.greenbrook.co.uk