

TS 90 Impulse EN 3/4

High-Tech for the global Market

The TS 90 Impulse combines technical superiority with outstanding value, and unites advanced design with convenient functionality – all on the basis of its heart-shaped cam.

With its installation versatility and inherent functional reliability, it is ideal for virtually any application.

Certified to ISO 9001

Benefits

For the trade

- Unique cam action technology for the entry-level segment, compliant with EN 1154.
- Complete package for easy stocking.
- Sets new standards to open up new markets.

For the installer/fabricator

- Easy to fix without mounting backplate.
- Non-handed.
- Four installation arrangements with one model.
- Proven quality for long service life

For the architect/specifier

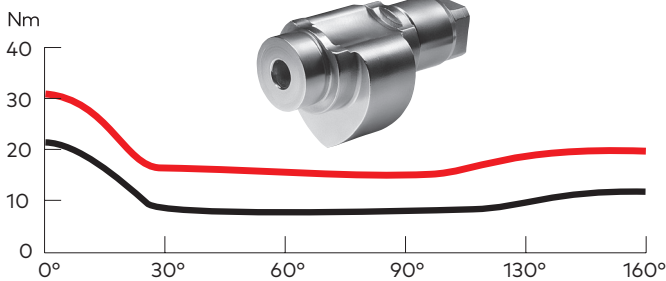
- Proven technology of the heart-shaped cam.
- Cost-efficient slide channel door closer for interior doors.

For the user

- Convenient, low-resistance opening with fully controlled closing.
- Two regulating valves for precise adjustment of closing speed.
- Available with hold-open and cushioned limit stay options..

Cam Action

Force profiles



Data and features

TS 90 Impulse

Data and features		TS 90 Impulse
Closing force	Size	EN 3/4
Standard doors ¹⁾	≤ 1100 mm	●
Fire and smoke check doors ¹⁾		●
Non-handed		●
Slide channel		●
Two independent valves for closing speed adjustment		●
Cushioned limit stay (mechanical)		○
Delayed action		–
Hold-open		○
Weight in kg		1,7
Dimensions in mm	Length	246
	Overall depth	46
	Height	57
Door closer compliant with EN 1154		●
CE-mark or construction products		●

● yes – no ○ Option

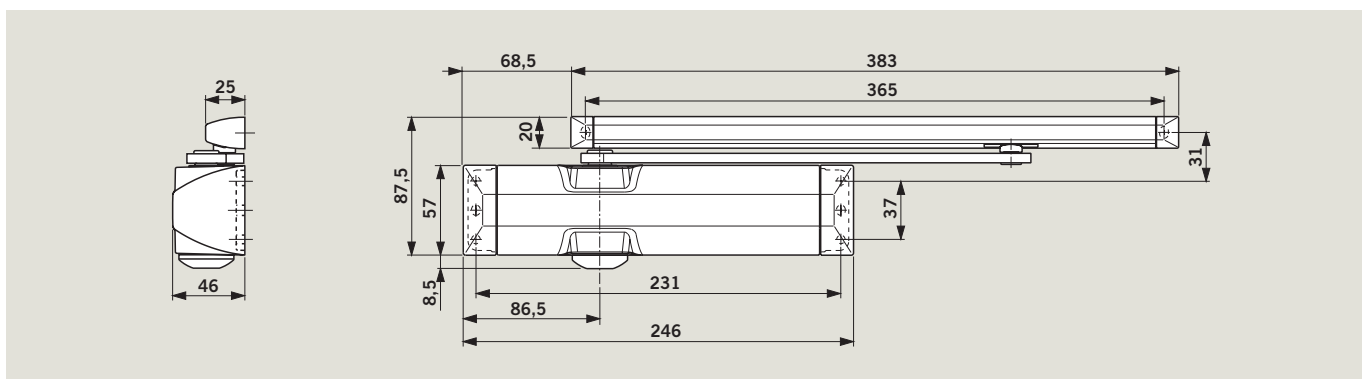
¹⁾In the case of particularly heavy doors and doors that have to close against wind pressure, we recommend the dormakaba TS 93.



The TS 90 Impulse is CERTIFIRE approved (Certificate No. CF119) for door types ITT 120

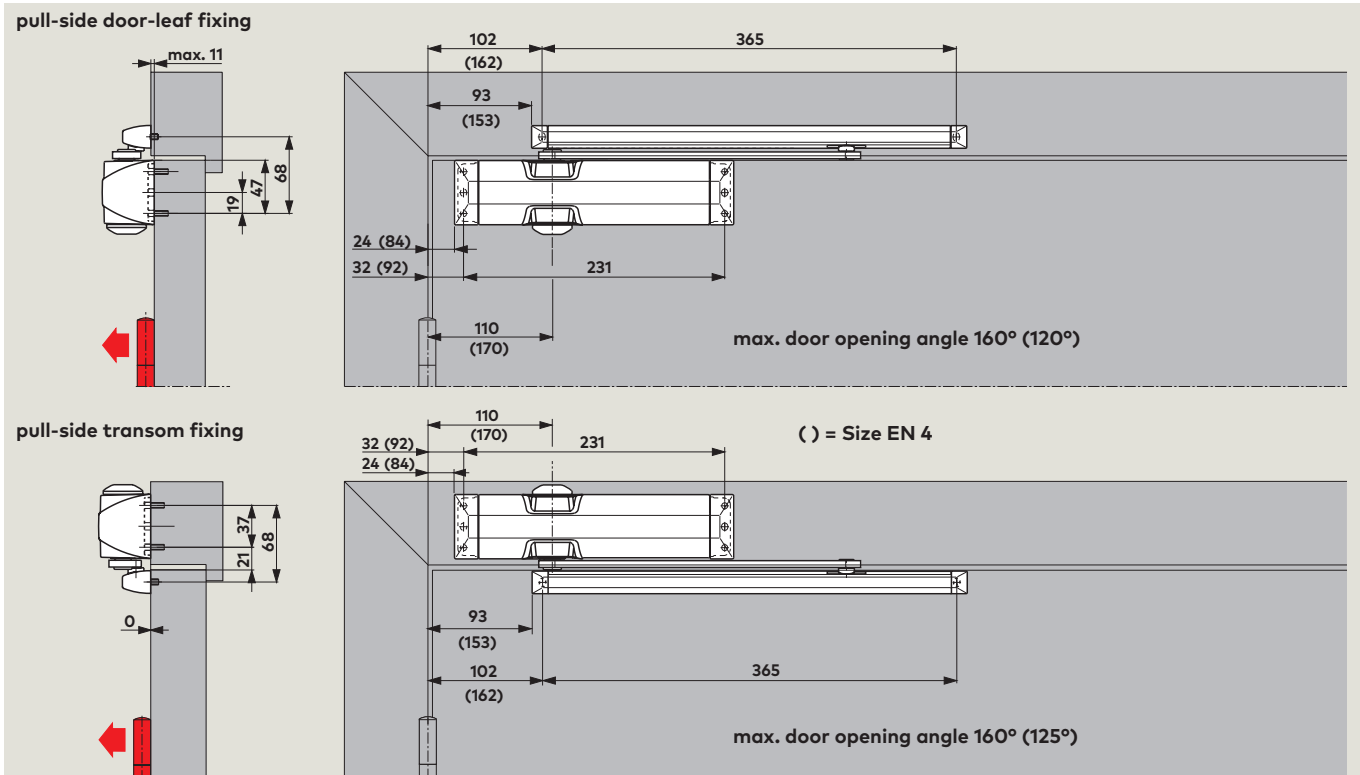
The unique heart-shaped cam and the linear drive mechanism ensure that the resistance encountered decreases almost instantly with the door opening action.

User-friendly and reliable closing is also ensured by the delayed increase in the actuating torque at the "latching" end of the sweep.



Pull-side fixing

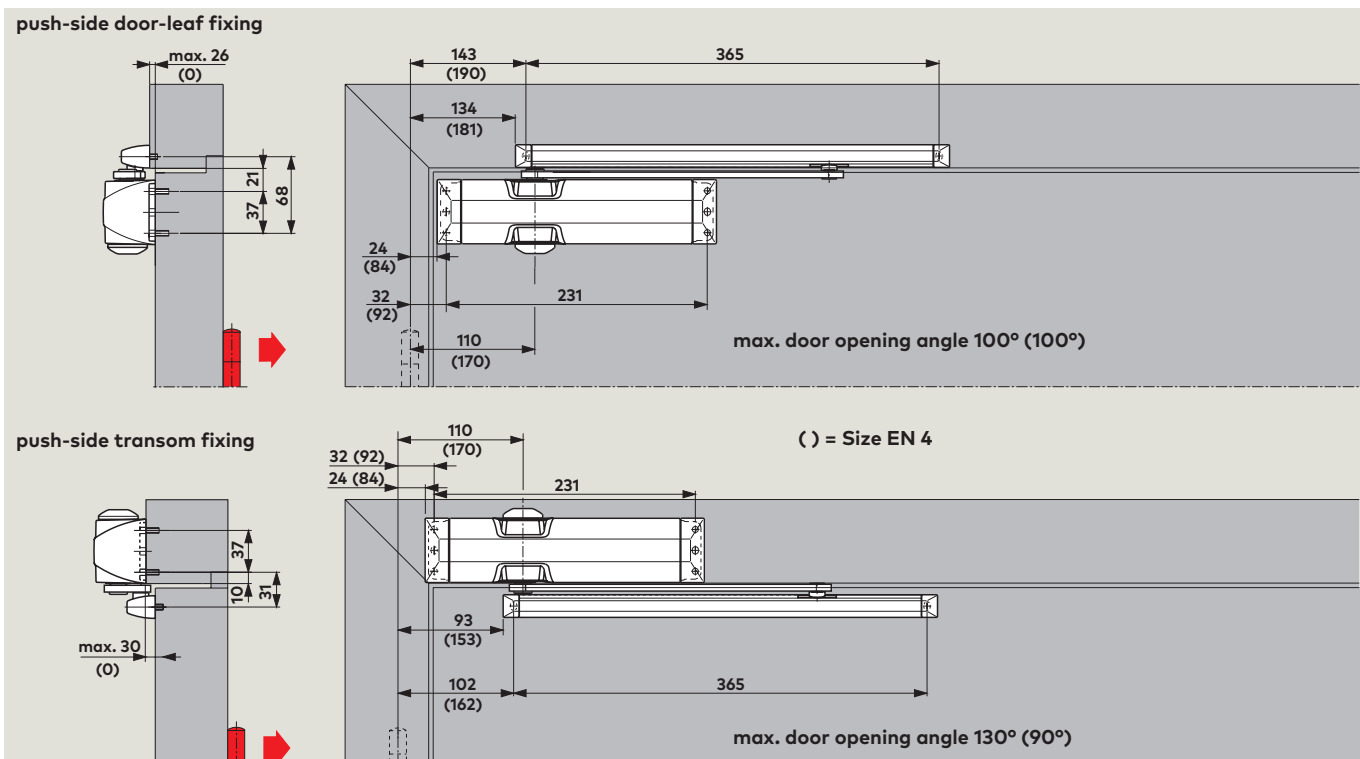
(example: LH/iso 6 door; mirror image for RH/iso 5 door)



Depending on the structural conditions, the door opening angle is likely to be limited. It is recommended to install the cushioned limit stay or position a door stop at this point. **A door stop must be installed in the case of fire and smoke check doors.**

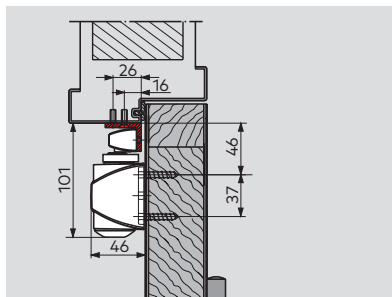
Push-side fixing

(example: RH/ISO 5 door; mirror image for LH/ISO 6 door)



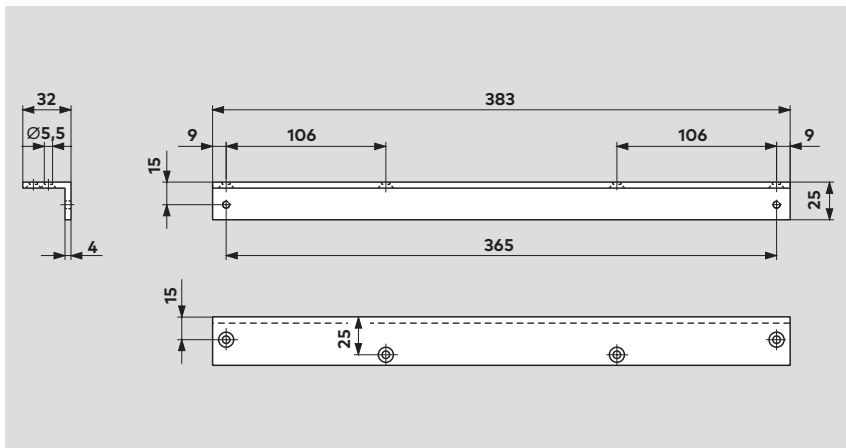
Depending on the structural conditions, the door opening angle is likely to be limited to approx. 95°. It is recommended to install the cushioned limit stay or position a door stop at this point. As the door opening is limited to 95° the TS90 is not CE marked on the push side of the door. BS EN1154 requires minimum closing from 105°.

Accessories

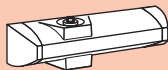






Angle bracket

For push-side fixing of the slide channel to door frames with a deep reveal.



Standard equipment and accessories

	Cam-action door closer TS 90 Impulse	Angle bracket	Cushioned limit stay	Mechanical hold-open device
	 Size EN 3/4	 100030xx	 10002000	 10002100
Slide channel	 ■ 102004xx	▲	▲	▲

Order No:

- = Closer body with slide channel, complete
- ▲ = Accessory

Colour

- silver
- white (sim. RAL 9016)

xx

- 01
- 11

Specification text

Universal cam-action door closer with linear drive and rapidly decreasing opening torque; closing speed adjustable in two independent ranges. Closing force = size en 3/4. Non-handed.

Accessories

- Angle bracket
- Hold-open device
- Cushioned limit stay

Colour

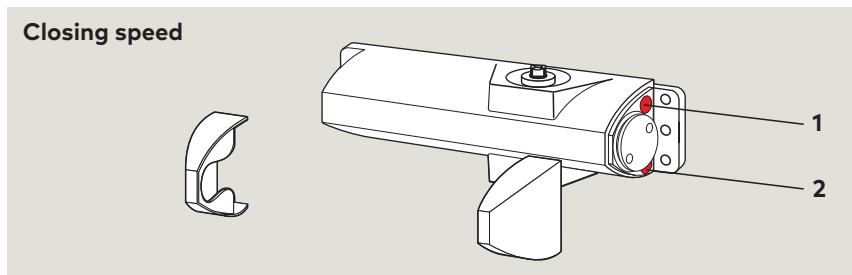
- silver
- white (sim. RAL 9016)

Make

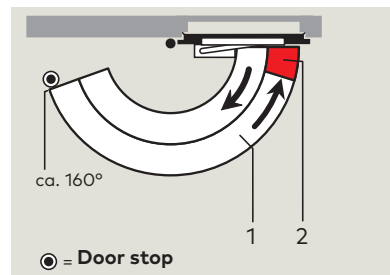
TS 90 Impulse EN 3/4

Compliant with EN 1154.

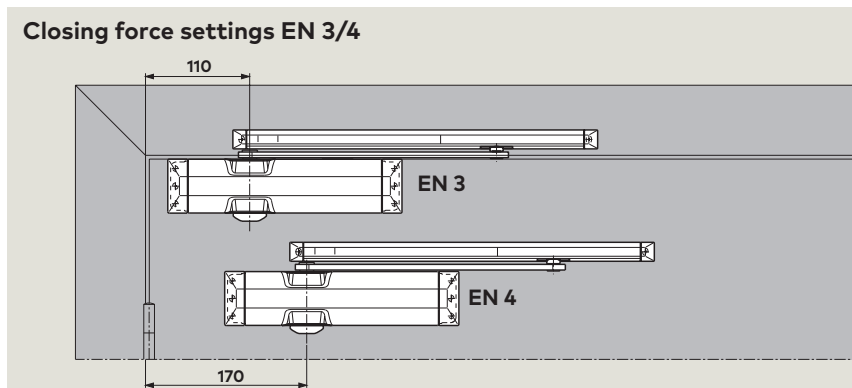
Standard and optional Functions



The closing speed of the TS 90 Impulse is adjustable in two independent ranges at the valves indicated.

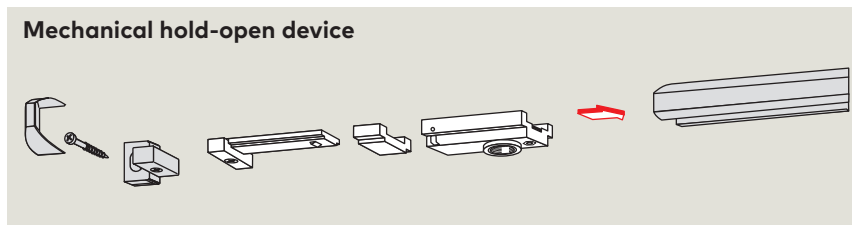


- 1 Infinitely variable closing speed in the range 160° – 15°
- 2 Infinitely variable closing speed in the range 15° – 0°



Door width	size setting
≤ 950 mm	EN 3
≤ 1100 mm	EN 4

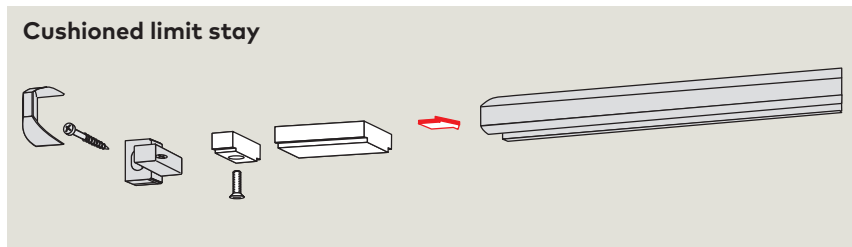
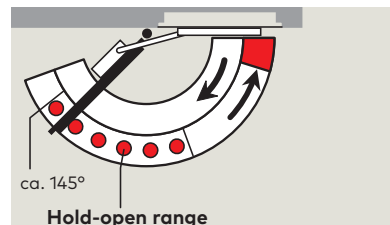
The TS 90 Impulse size setting is selected for the door width by the closer.



The hold-open device enables doors to be precisely held without any fall-back up to an opening angle of approx. 145°.

The hold-open device is suitable for both LH and RH doors and is designed for retrofitting to the slide channel.

Not for fire and smoke doors

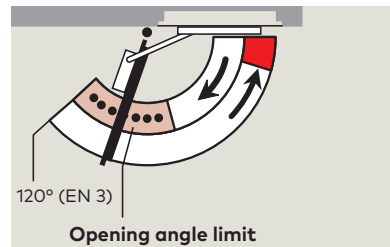


Cushioned limit stay for retro fitting by insertion in the slide channel. Adjustable between 80° and max. 120°.

Use of the cushioned limit stay helps to prevent a normally opened door from colliding with adjacent walls.

The cushioned limit stay is not an overload protection device and in many cases is no substitute for a door stop.

Only for the use with TS 90 Impulse size EN 3





www.dormakaba.com

dormakaba
Dorma UK Ltd
Wilbury Way
Hitchin
Herts
SG4 0AB
T: 01462 477600
E: info.gb@dormakaba.com
www.dormakaba.co.uk

WN 053 230 51532, 12/12, TS 90 Impulse EN 3/4, GB, 12/17
Subject to change without notice