

White Adjustable Seat with Arms

Thank you for purchasing this Croydex product. Please follow the fixing and care instructions to ensure your adjustable seat is fitted safely and retains its high quality finish.
Please retain this leaflet for future reference.

This installation guide applies to the following product:
AP130422 - White Adjustable Seat with Arms

Tools required - not supplied

Screwdriver appropriate to fixings.

KEEP DIY TOOLS OUT OF THE REACH OF CHILDREN

Product Care

To retain the best quality finish, clean product regularly with a soft damp cloth.
Do not use abrasive or chemical cleaners as these will damage the product.
Dry the adjustable seat after use.
Do not strike the product with hard or sharp objects.

Product Location

The adjustable seat must sit flat within the bathroom or within a shower tray.
Curved surfaces of the bathtubs are not acceptable.

Cautionary Note

Please ensure all legs are equal length, the seat is level and all pins are secured in position.

Take care not to extend leg beyond its furthest extension. If the leg is extended beyond this point please note that spring tension will propel the pin from the seat, so take care when adjusting the height.

If the pin and spring are removed from the leg, re-insert these components as shown in Fig.A.
Please note that the spring and pin need to be compressed in order to re-insert the leg into the seat.

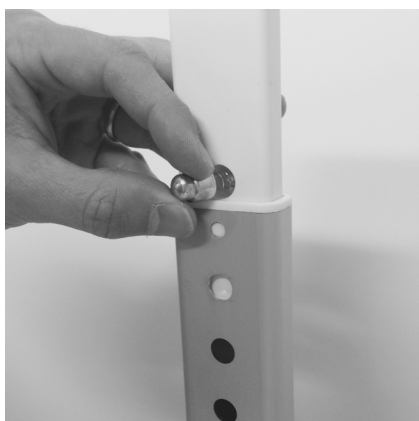


Fig.A

Fitting Instruction

1. Flip the adjustable seat to reveal its underside.
2. Using the screws supplied secure the two aluminium backrest frames and the aluminium armrest frame into position on the underside of the seat. **DO NOT OVER TIGHTEN** - See Fig.1
3. Insert the seat legs into the housing by compressing the small pins - See Fig.2
4. The small pins will 'Click' into the housing securing the legs in position - See Fig.2
5. Once all four legs are secured, flip the seat into its usable position to fit the armrests - See Fig.3
6. Locate the armrests onto the aluminium frames and secure into position - See Fig.3
7. Locate the backrest onto the aluminium frames and using the remaining screws supplied secure the backrest into position to complete the assembly - See Fig.4

Fig.1

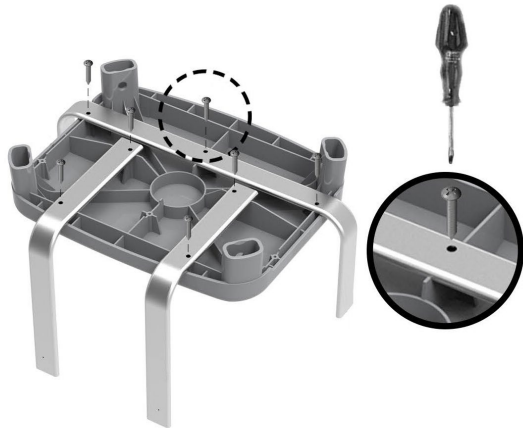


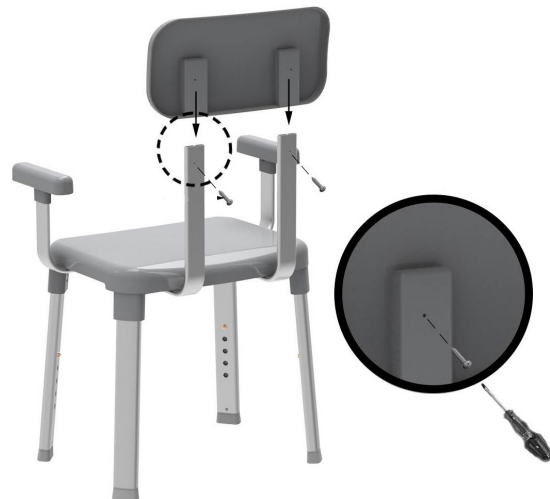
Fig.2



Fig.3



Fig.4



Additional Information

Maximum safe working load for the adjustable seat is 100kg

For details of the other items in the Croydex range please visit our website: www.croydex.com

Croydex Ltd, Central Way, Andover, Hants, SP10 5AW, UK
Tel: +44 (0) 1264 365881
Fax: +44 (0) 1264 356437
Email: info@croydex.co.uk