

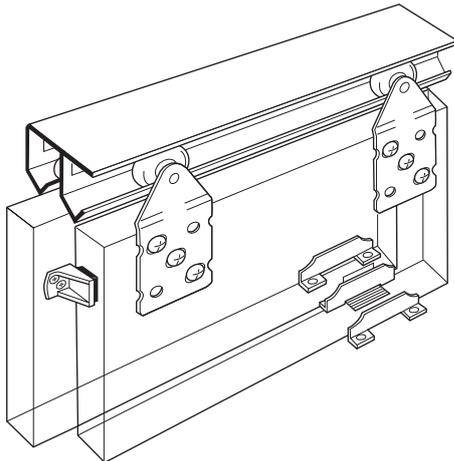
**FITTING INSTRUCTIONS - NOTICE DE POSE - MONTAGE HANDLEIDING - MONTAGEANLEITUNG
ISTRUZIONI DI MONTAGGIO - INSTUCCIONES DE MONTAJE**

Warranty. This product is covered by a 10 year manufacturer's warranty. Please see the P C Henderson website for terms and conditions.

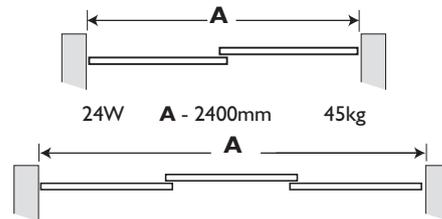
WATCH THE INSTALLATION VIDEO

Visit: www.pchenderson.com/double-top-installation

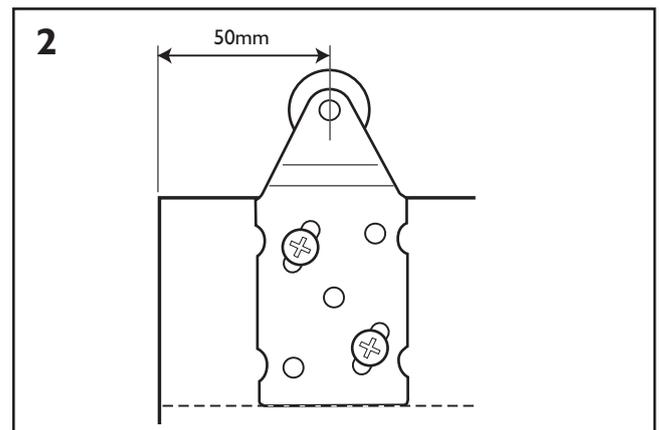
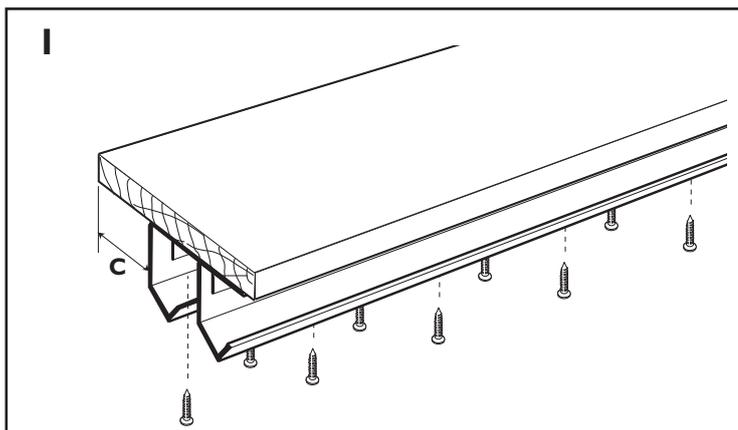
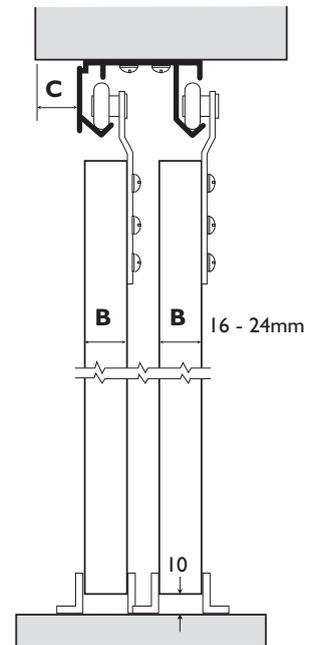
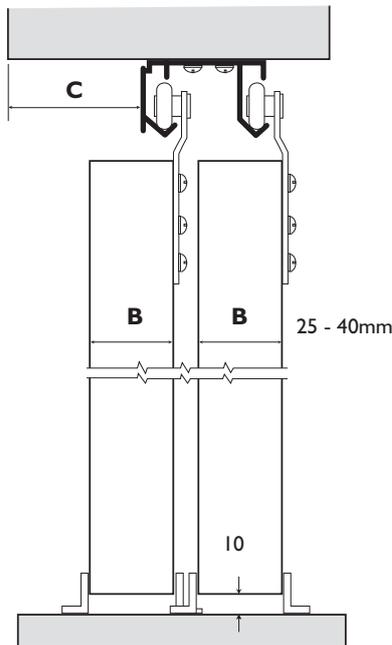
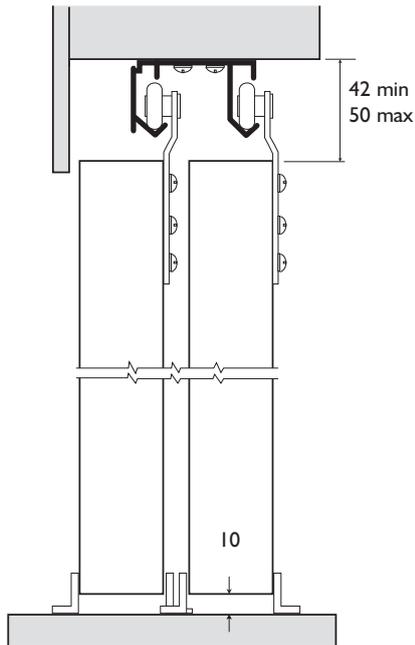
Or scan the QR code using your phone

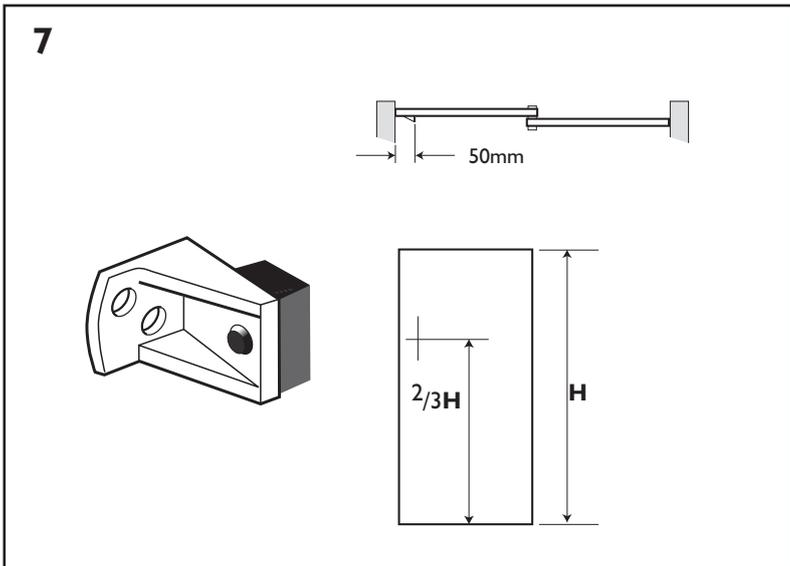
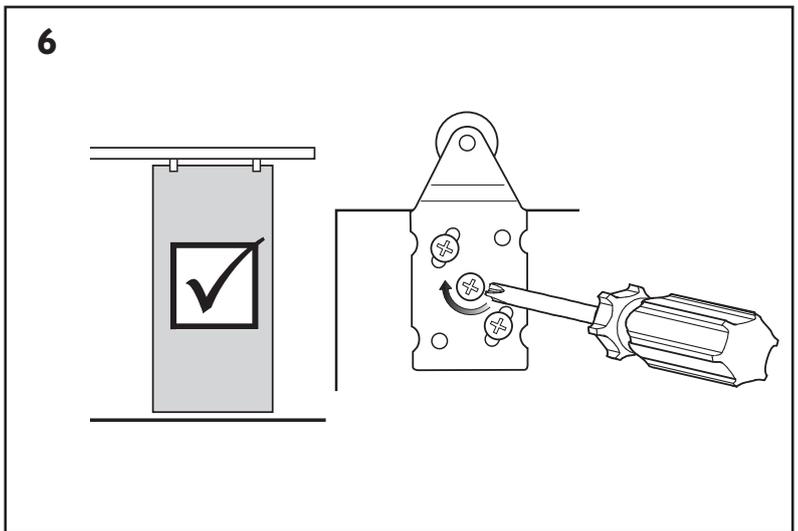
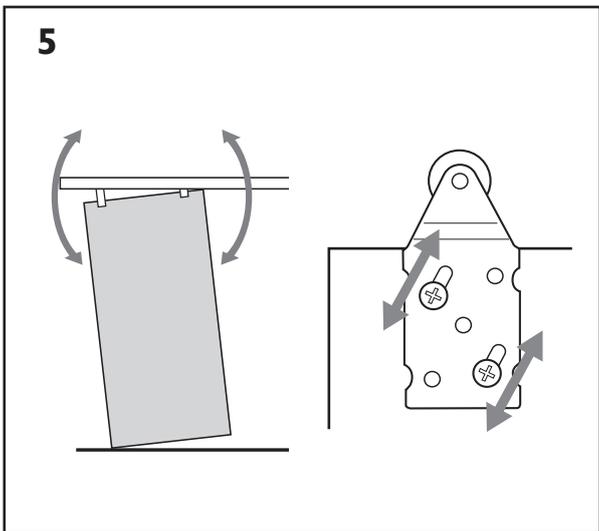
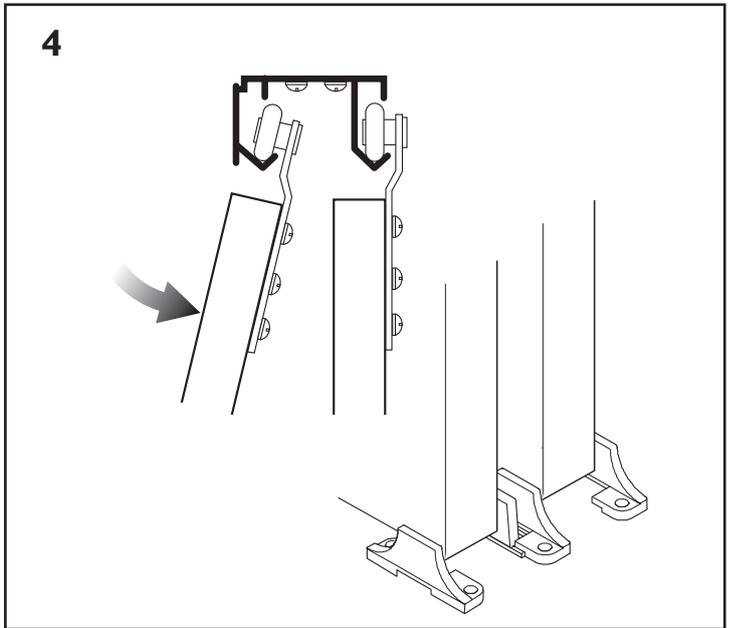
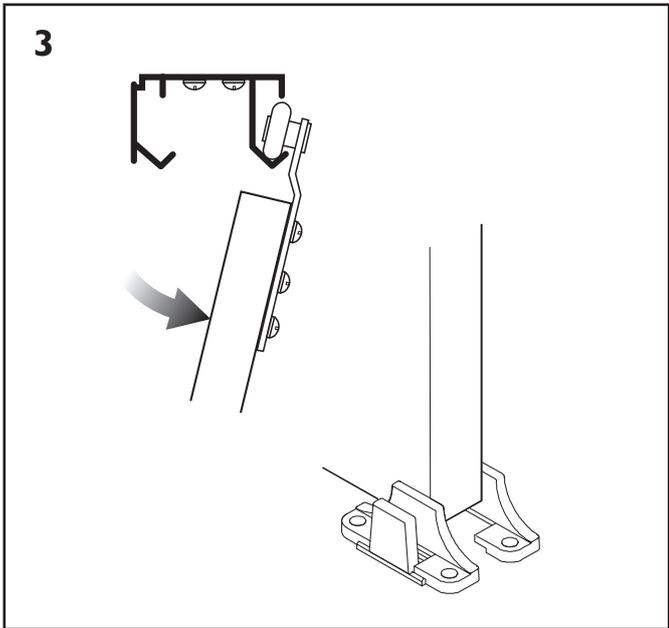


12W **A** - 1200mm 45kg
15W **A** - 1500mm 45kg
18W **A** - 1800mm 45kg



B	16	19	22	25	29	32	35	38	40
C	-	1	2	15	19	22	25	28	30





P C Henderson Ltd, Durham Road, Bowburn, Co. Durham, DH6 5NG, UK

UK Sales

t: +44 (0) 191 377 7345

e: sales@pchenderson.com

w: www.pchenderson.com

Export Sales

t: +44 (0) 191 377 7346

e: international@pchenderson.com

w: export.pchenderson.com

Part No: 300937

November 2019

Issue 7



UK Registered Address: P C Henderson Ltd, Durham Road, Bowburn, Co. Durham, DH6 5NG
Republic of Ireland Registered Address: P C Henderson Ltd, Westlink Industrial Estate, Kylemore Road, Dublin 10, Ireland
Holland Registered Address: Henderson Nederland BV, Rootven 14, 5531 MB, Bladel