



## Fitting Instructions for Bottom Fix Drawer Runners

1. The product has left and right runners, which are marked according to their location:

CL – Cabinet Left	CR – Cabinet Right
DL – Drawer Left	DR – Drawer Right

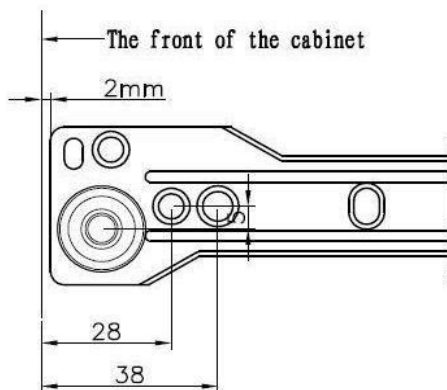
2. Place the drawer on its side with the left side facing up. Place the runner marked "DL" on the side of the drawer, with the 90° bend wrapping around the bottom of the drawer. The wheels should be towards the back of the drawer



3. On the base of the runner, you will notice 2 oval holes. Mark the centre of these holes and insert 2 of the supplied screws.
4. Select the runner marked "DR" and repeat steps 2 and 3 on the other side of the drawer.



5. On the inside of your cabinet, mark the location of the position of your side runners – these should be level with the bottom of the drawer. The roller on the DL runner needs to fit at the front of the cabinet opening as per the diagram below.





6. Along the length of the runners, there are 3 oval holes. Place the runner along at the marked position and insert 3 screws through the oval holes.



7. Repeat the same process on right hand side with DR runner.
8. Insert the drawer by tipping into side runners.

