

PKTPPA - 279.5cm [H] x 270cm [W] x 240cm [D]



Self-Assembly required



Home Delivery available



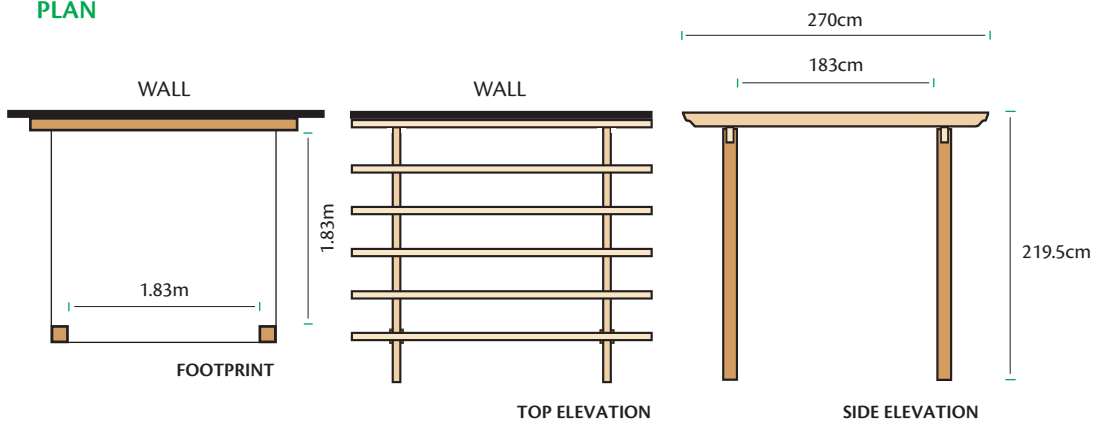
Pre-Painted available



PLAN



CODE PKTPPA



©2016 Grange Fencing Ltd
All rights reserved.
In line with the Company's policy of continuous product development, the right is reserved to change and improve product design without prior notice.

All products and related emblems featured are trademarks of Grange Fencing Ltd.

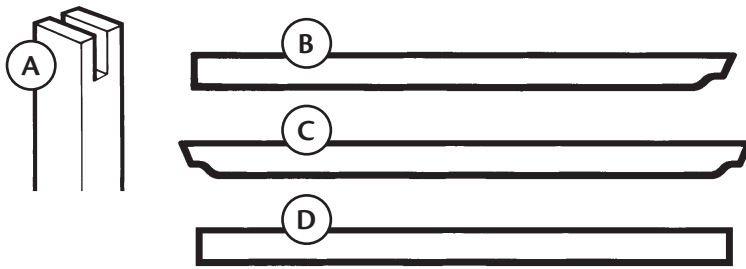
www.grangefen.co.uk



ASSEMBLY INSTRUCTIONS

TRADITIONAL PATIO PERGOLA

PRESSURE TREATED GREEN



PARTS LIST

(A) Posts	x 2
(B) Rafter	x 2
(C) Rafter	x 5
(D) Rafters	x 1

HARDWARE PACK

	[v] Screws - 5 x 7cm	x 6
	[w] Screws - 4 x 4cm	x40
	[x] Screws - 5 x 10cm	x 3
	[y] Metal Brackets	x10

BEFORE YOU START

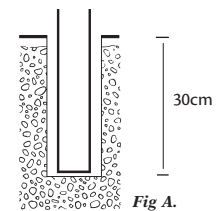
- Check the pack/s and make sure that you have all of the parts listed above. If not, contact your retailer who will be able to help you.
- When you are ready to start, make sure you have the right tools to hand, plenty of space and a clean, dry area for assembly.

It is advisable for two people to carry out the work

SITE PREPARATION

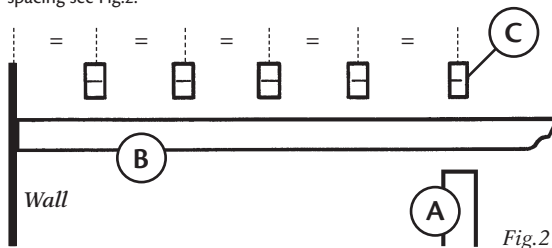
Excavate a 30cm square hole (approx) for each post to a depth of at least 30cm. (see Fig.A right)

This will give your structure adequate stability.

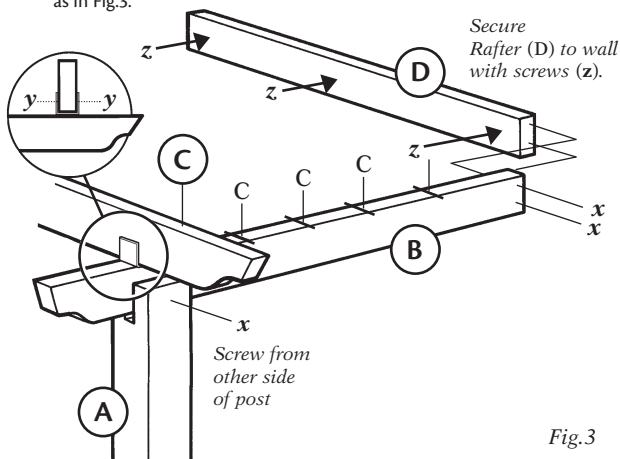


ASSEMBLY

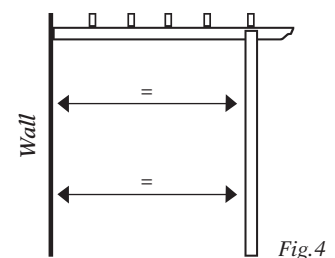
1. It is advisable to mark the two Rafters (B), used as supports, where the roof rafters will be fixed, before beginning assembly. For the suggested spacing see Fig.2.



2. The short Rafter (D) needs to be fixed to the wall at the same height as the rafter which locates into the top of the posts. This will need to be cut down to 1880mm.
3. This rafter must be level and centrally fixed using three screws (z) as in Fig.3.



4. Assemble one of the Rafters (B) into one of the posts (A) and secure the free end to the end of the rafter fixed to the wall.
5. Next, fix the second Rafter (B) to the other post and fix it to the other end of the wall mounted rafter using 2x screws (x) each side (Fig.3).
6. Position one of the Rafters (C) at the front end of Rafters (B) at the post position and fix in place using the Metal Brackets (E). The distance between the front posts should be 1830mm. Fix Rafters (B) in position with screws (x).
7. Fix all remaining rafters at the points previously marked on Rafters (B) using metal brackets.
8. Adjust the post positions so that the structure is level and upright (see Fig.4).
9. Finally, fix the posts into position using the method for the kit selected.



WHEN USING AS AN EXTENSION TO THE TRADITIONAL PERGOLA

To allow the Traditional Patio Pergola to be added to the Traditional Pergola the following changes need to be made.

The Rafters (B) in the Traditional Patio Pergola have to fit into the top of the posts of the Traditional Pergola. To enable this to be done the two Rafters (B) in the Traditional Pergola kit need to be cut down to the same size as the (B) Rafters in the Traditional Patio Pergola kit.

Once this has been done the two rafters should be located into the top of the posts.

AFTERCARE

To ensure longevity of your structure it is recommended that it is treated with a wood preservative on a yearly basis.

Tools Required: Posidrive Screwdriver