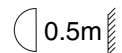


Distance warning



This product must be positioned so that there is at least 0.5 metres (50cm) between the bulb and any illuminated surface.

MINIMUM DISTANCE
FROM LIT OBJECTS

Fitting/replacing bulbs

- The LED module in these spike lights are non replaceable.

Care & Use

Do not use abrasive materials and cleaners on these products as this may damage the finish. Do not clean the units with a pressure washer. To prolong the life and keep your outdoor lighting in good condition, it is recommended that periodically it is cleaned using a soft cloth followed by the application of a light coating of oil, such as WD40. This system contains non-replaceable parts which cannot be serviced. If damage occurs the part should be scrapped.

Recycling advice



Waste electrical products should not be disposed of with household waste. Please recycle where facilities exist. Check with your Local Authority or retailer for recycling advice.

Vista Spike Lights

4319R



CE

Thank you for purchasing this light fitting. Please read the instructions carefully before use to ensure safe and satisfactory operation of this product. Please retain these instructions for future reference.

Warning



The power supply is Double Insulated and does not require connection to an Earth circuit. The LED units are Safety Extra Low Voltage, via the outdoor transformer and must not be earthed.

Please read these instructions carefully before commencing any work.

This lighting kit is rated at IP44 and is designed for outdoors installation in the garden. It is not suitable for location in or near a marine environment.

Never connect the light fittings directly to the mains without using the supplied outdoor rated transformer.

The plug must be situated indoors (e.g. house, garage, shed) in order to protect it from the elements. During use these products get hot.

Kit contents

- 1 x 12V IP67 rated transformer with 3 metres of cable attached to a 3 pin plug
- 1 x Photocell with cable connector
- 1 x 4.8 metre extension cable with connection box
- 4 x outdoor lights with 5m of extension cable each
- 4 x spike fixings

Layout

- See Fig. 3. Plan the desired position for these fittings carefully, ensuring the cables will reach the distances between the indoor plug, the outdoor transformer and each light fitting.
- Avoid locating any cables in positions that would cause a trip hazard. Position cables and transformer away from areas where they may be at risk from being cut, trapped or damaged.
- The plug has no special protection against moisture and must be situated indoors. The 12 Volt transformer is rated at IP67 and can be positioned outdoors.
- The light units are rated at IP44.

Installation

- Position the plug next to the indoor mains outlet socket that the system will connect to. Do not plug in at this stage.
- After deciding where to place the light fittings, and the position of the transformer, ensure the cables are long enough to connect to the desired positions.
- The transformer can be situated indoors or outdoors.

Always remove the plug from the mains socket when installing or maintaining this system.

Always switch off and allow product to cool before touching.

A maximum of 4 spike lights can be attached to the connection box.

Waste electrical products should not be disposed of with household waste. Please recycle where facilities exist. Check with your local authority or retailer for recycling advice.

- Lay out the 5 metre extension cable in the desired route, ensuring the cable does not present a trip hazard and decide where to position each light.
- Fit the ground spike to each light unit by pushing into position. Push each unit into the ground making sure the cable attached will reach the extension cable.
- Connect each light fitting extension cable to the connection box by inserting the pins into the connection and tightening the threaded collar. See Fig. 1. Please note a maximum of 4 spike lights can be connected. If more than 4 spike lights are connected, the kit will not function properly and may cause damage to the light fitting.

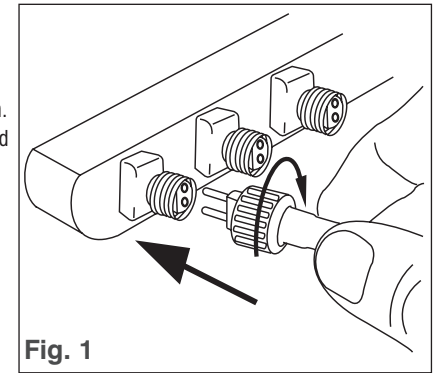


Fig. 1

- Plug the indoor plug into the mains socket and switch on.
- If a unit fails to operate, unplug the system from the mains and check that the connections are secure.

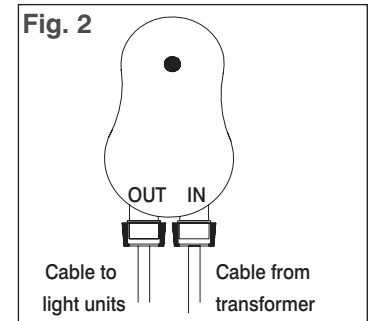
Photocell Operation

See Fig. 2. This outdoor lighting set is supplied with an optional photocell unit which acts as a night sensor, switching the lights on at dusk and off at dawn.

• **To operate the set with the night sensor:** Connect the cable from the transformer to the 'input' side of the photocell using the method shown in Fig. 1. Repeat this method by connecting the 5m extension cable to the 'output' side of the photocell. Your lighting system will now switch on at dusk and off at dawn.

• **To operate the set without the night sensor:** Simply connect the cable from the transformer to the cable from the connection box using the method shown in Fig. 1. Your system will now operate only when switched on/off at the mains socket switch.

Fig. 2



Layout diagram

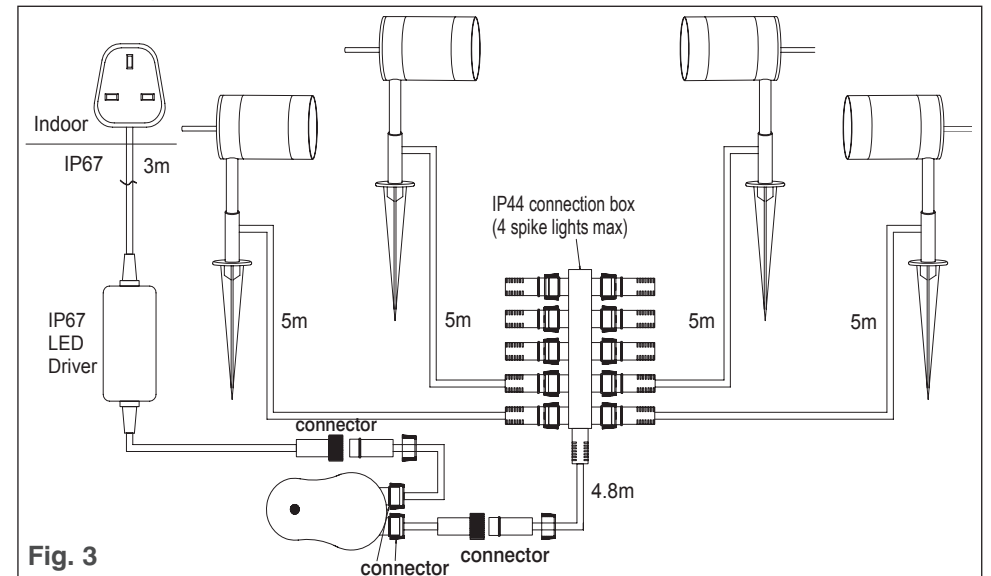


Fig. 3