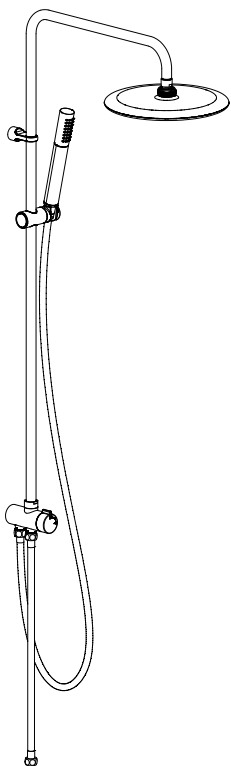




Watersmith Twin Outlet Diverter Shower Kit



5579P

Barcode: 5052931652556

5579P-Screwfix-IM-EN-V01



Warning! Read the instructions before using the appliance.

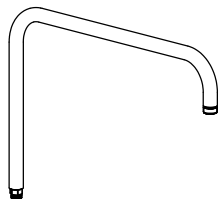


Scope of delivery

Watersmith Twin Outlet Diverter Shower Kit 5579P



[01] x 1



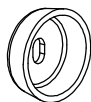
[02] x 1



[03] x 1



[04] x 1



[05] x 1



[06] x 1



[07] x 1



[08] x 1



[09] x 2



[10] x 1
(ST4.2 x 35mm)



[11] x 1
(ST4.2 x 30mm)



[12] x 1



[13] x 1



Let's get started...

These instructions are for your safety. Please read through them thoroughly before use and retain them for future reference.



Getting **started...**

04

Before you start
Importance

04

05



In more detail...

06

Use of diverter valve
Care and maintenance

06

06

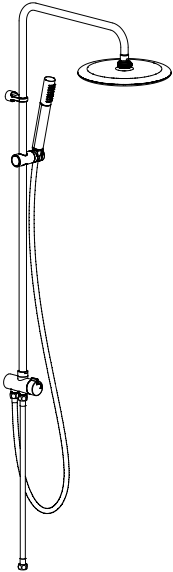
Installation

08

Things to check before you start

- Please ensure there are no hidden service pipes and cables where you intend to drill.
- Debris must be cleared away from the inside service pipes before installation to ensure good functionality of water spray.
- The wall fixings provided are suitable for solid walls only. For other types of wall use suitable alternative fixings.
- Note:** Bath Shower Mixers work best with a Balanced water Supply. The cold water feed should ideally be from the Cold Water Tank and Non-Return valves should be fitted where possible.
- If the hot and cold water supply is balanced, Non-Return valves on both Hot and Cold should be installed in compliance with Water Supply (Water Fittings) Regulations, and comply with UK Building Regulations.

Your product



To install your product, consult the installation guide located at the end of the guidebook.

You will need



Notice

- ✓ The instruction manual includes part lists, installation instructions, usage of thermostatic valve and suitable inlet system.
- ✓ Make sure the installation is undertaken by a competent person based on the installation manual and in accordance with the requirements of the Requirements of the Water Supply (Water Fittings) Regulations 1999.
- ✓ Thermostatic Mixer Shower With Slider Bar is suitable for the typical installation inlet systems as follows: Gravity system (Hot & Cold gravity system; hot gravity, cold gravity main systems; hot & cold gravity, pump assisted system); Unvented hot water system; and Combination boiler.

Importance

- Make sure the pressure and temperature supplies at the shower inlets meet below specification:

Maximum hot water temperature : 75°C

Minimum recommended hot water temperature: 60°C

Maximum cold water temperature: 20°C

Minimum operating water pressure: 0.2 Bar

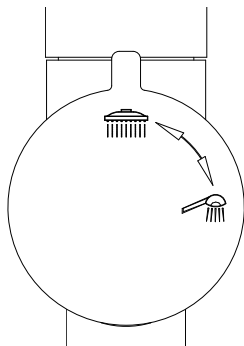
Maximum operating water pressure: 5 Bar

- For optimum performance, the cold and hot water supplies should be at equal pressure. Where the supply is greater than 5 bar a pressure reducing valve should be fitted.
- Ensure that the water temperature and the pressure at the inlet of the mixer body remain relatively constant during use.
- The hot and cold water connectors in the wall should be 1/2" BSP female thread.

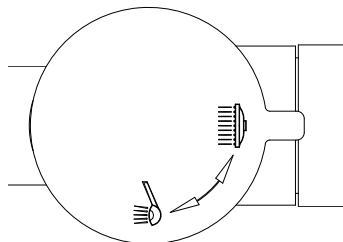
Use of diverter valve Care and maintenance

Use of diverter valve

Shower head



Hand shower



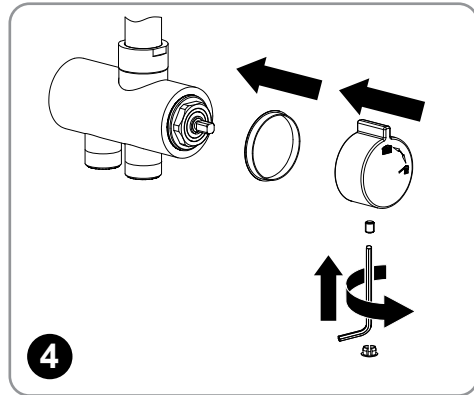
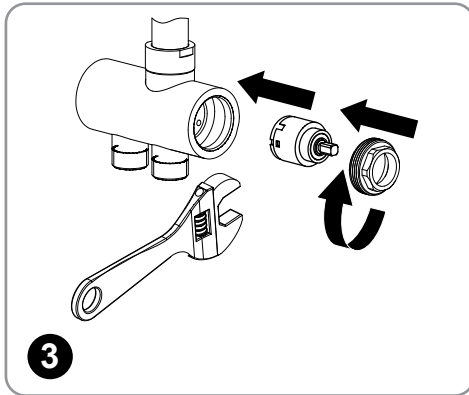
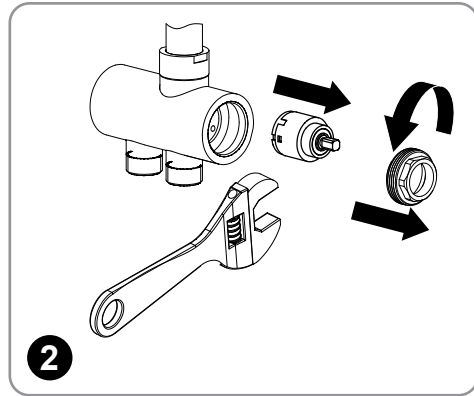
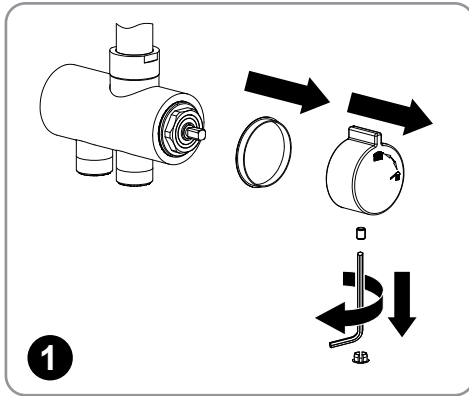
- When the handle of the diverter valve is at the vertical position, water sprays from the top shower.
- When the handle of the diverter valve is at horizontal position, water sprays from the hand shower .

Care & Use

- Beware of scalding from hot water. It is recommended to turn on the hand shower first.
- Always turn on the cold water first when using the bar shower.
- Do not use chemicals and other corrosive detergent to clean the shower set. Always use a non-abrasive bathroom cleaner and a soft cloth to clean it.
- Never twist or kink the hose in use because the water flow will become restricted.
- Regularly clean the shower head and hand shower to remove debris.

Maintenance of the diverter cartridge

In more detail...



Installation

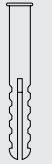
01



[04] x 1



[05] x 1



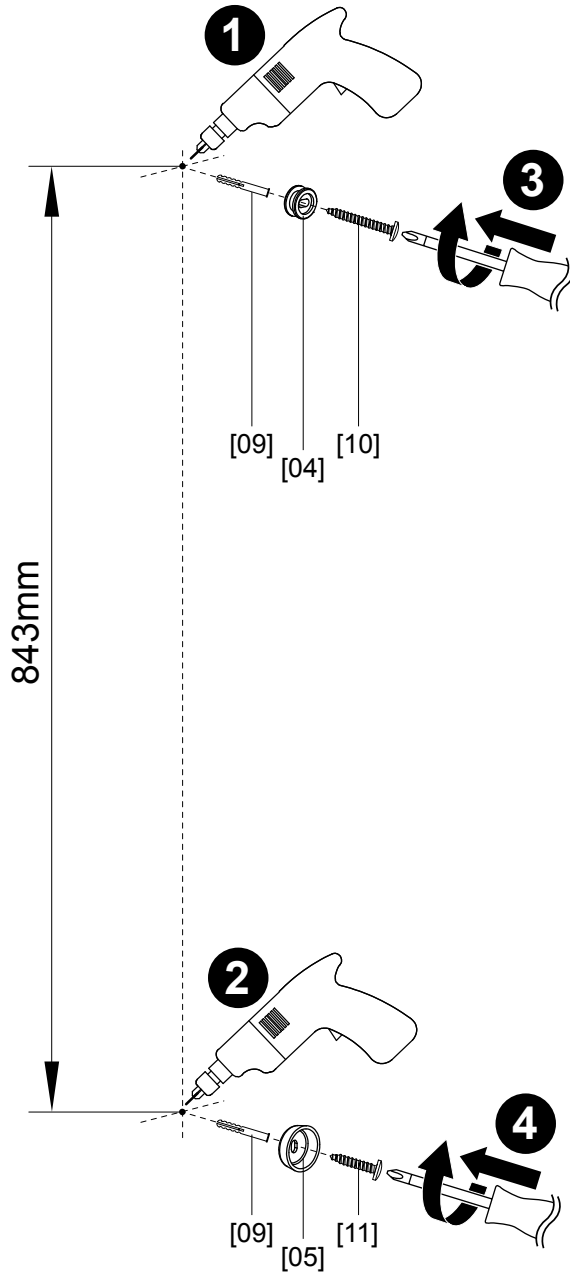
[09] x 2

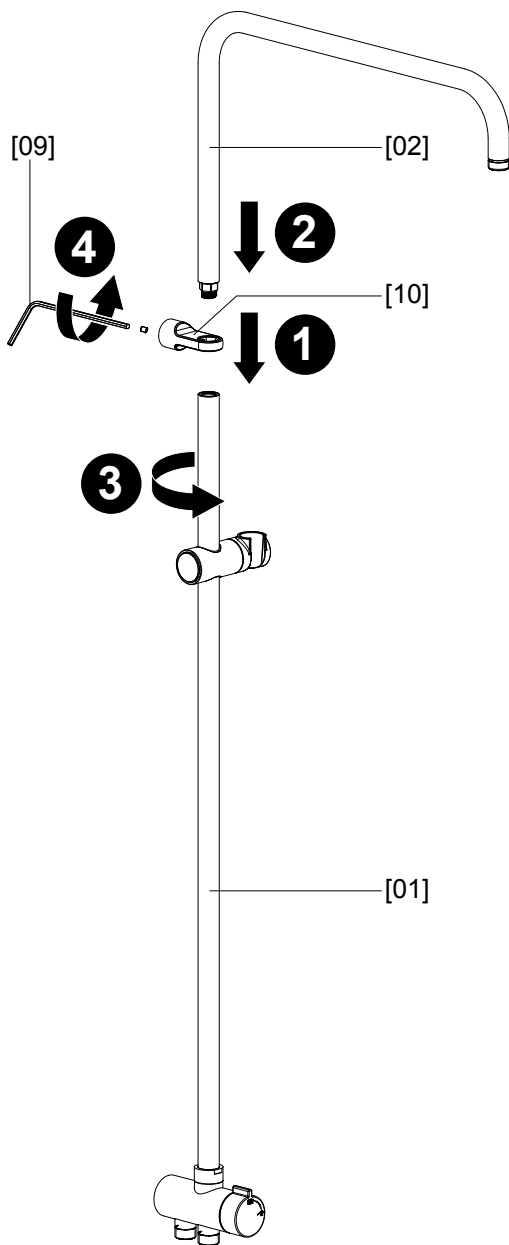


[10] x 1

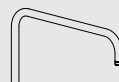


[11] x 1





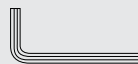
[01] x 1



[02] x 1

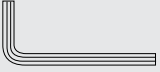


[03] x 1

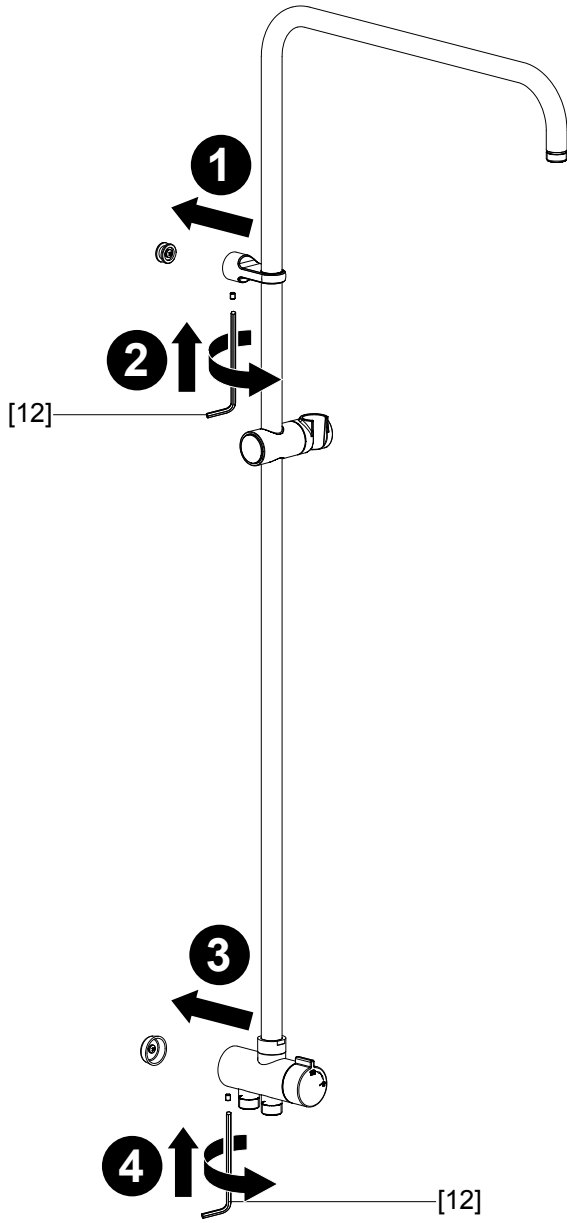


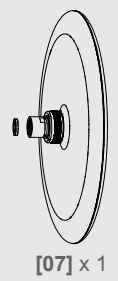
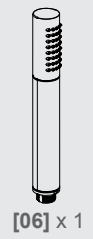
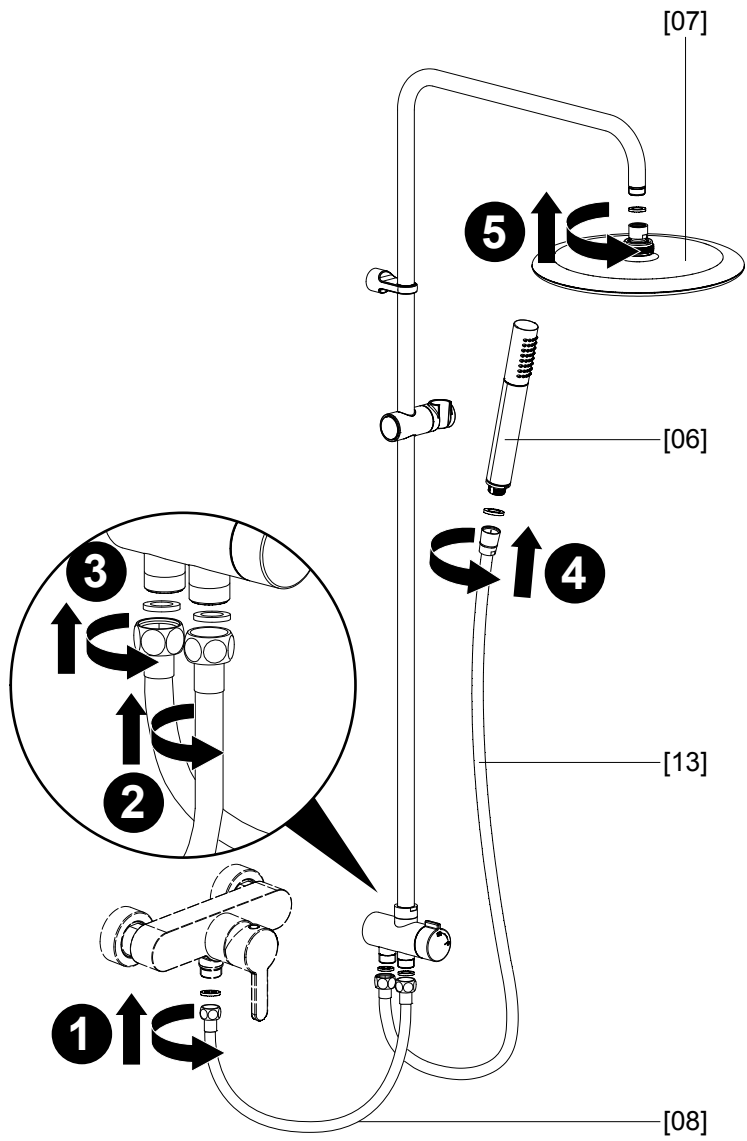
[12] x 1

03



[12] x 1







Watersmith (UK) Ltd

Trade House,

Yeovil

BA22 8RT

SF FI BF12 REV.1.0
