

Fitting Instructions for PVC-u Residential & French doors

Please read the complete set of instructions before starting installation to familiarise yourself with the stages of construction.

These instructions cover the fitting of the above doors complete with outer frame & cill (ventilator if applicable) into a new or existing brickwork opening.

The size of the opening should be:

Width: The external width of the frame + 10mm fitting tolerance.

Height: The external height of the frame + 30mm for the cill, 44mm for the ventilator + 10mm fitting tolerance.

IMPORTANT INFORMATION.

- 1) Before proceeding, it is advisable to check that your new door is the correct size and handing to fit the intended aperture. Do not remove your old frame until you have confirmed all the points below.
- 2) Carefully open the packs supplied and check the contents against the included list.
- 3) Do not destroy any of the packaging until you are certain that you have all the necessary parts for the installation.
- 4) Structural openings should be free of dust and debris and checked to make sure D.P.C is undamaged and in position.
- 5) Levelling and plumbing; it is important that you check the level and plumb when installing the frame.

Check List

1 x 4mm Allen key

1 x 5mm Allen key

Cylinder and keys

Handle, spindle and fixing screws

Ventilator, grills, covers & end caps (if applicable)

Cill and end caps (if applicable)

Cill and vent fixing screws

Equipment Required

Electric drill

Various drill bits

Selection of screwdrivers

Tape measure

Rubber / soft hammer

Spirit level

Suitable frame to brickwork fixings

A selection of wedges/packers

Silicone sealant

Frame trims (if required)

Notes for guidance - Please read

- Standard Residential doors open inwards only
- Standard French doors open outwards only
- Viewed from the outside, the hinges determine what hand door you require
- These doors are heavy. Always use good lifting practices, be especially careful when the door is in the opening before securing
- Fitting these doors plumb level and square is of paramount importance
- Maintain even gaps all around the frame

The doors may not operate correctly if you do not:

- Fit the door frame level
- Fit the door frame plumb in all planes
- Fit the door frame square
- Keep even gaps around the frame
- Tighten fixing screws against packers

Frame fixings are not supplied. Only use suitable frame fixings depending on your requirements, if in doubt consult an expert.

2 people required. At certain stages of the installation 2 people will be required.

Warning, the doors are heavy.

For future use and adjustment requirements please retain all assembly instructions. All dimensions given are in mm.

Step 1 – Before you start

Before starting the installation of your new door, and prior to removing the old door and frame, check all dimensions including the cill to ensure they fit your brickwork opening correctly.

NOTE: There should be approximately 5mm clearance all around the frame to allow the door to be packed square.

Step 2

Place your door on a ground sheet, remove all packaging and check that you have all the hardware.

Step 3 - Remove the door from the frame

Temporarily fit the handles and spindle. Diagram 1 Remove the door leaf(s) from the frame. Diagram 2.

Diagram 1

Inside Outside

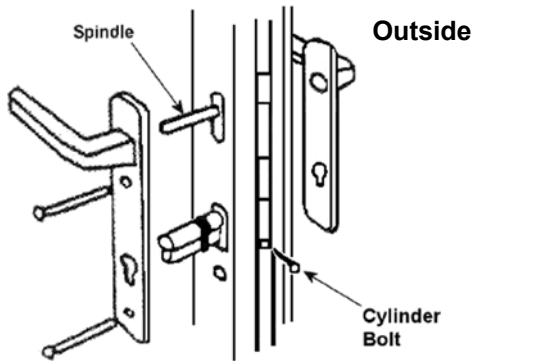
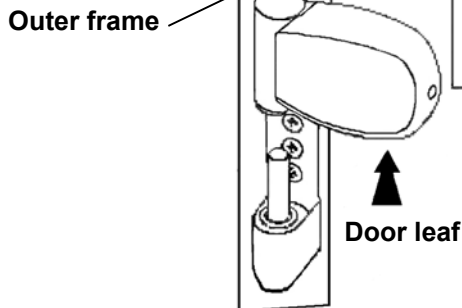


Diagram 2



Step 4 – Fitting the cill

If required, cut the cill to the length of the brickwork opening with a hacksaw. Drill a suitable hole for the cill fixing screws through the underside of the cill and into the frame, being careful only to pierce the outer skin of the frame. These holes should be approx 150mm from either end with no more than 500mm between fixings. Diagram 3, 4 & 5.

Diagram 3

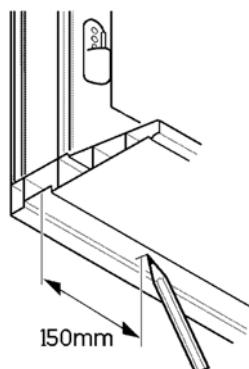


Diagram 4
Inward Opening Door

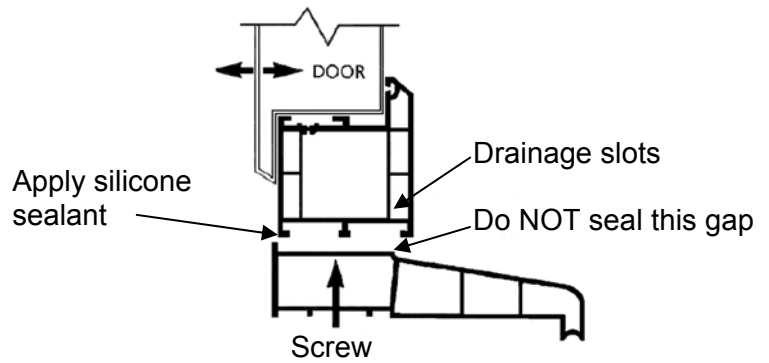
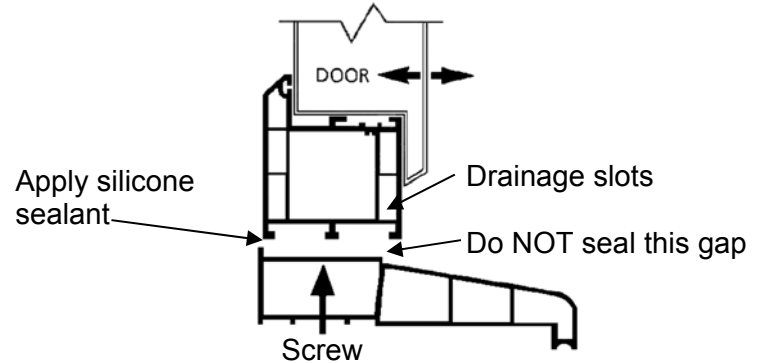


Diagram 5
Outward Opening Door



Run a bead of silicone inside the rear up-stand (the lip at the back of the cill) and fit to the base of the frame.

Using suitable cill fixing screws (not provided), fix the cill to the frame being careful not to over tighten.

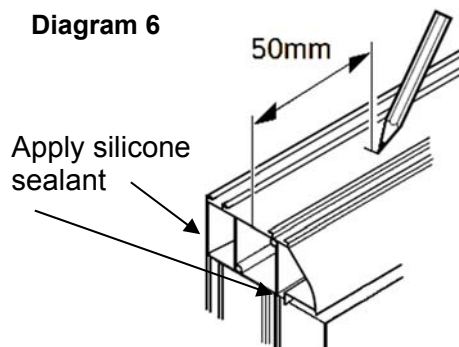
Apply silicone sealant to the cill end caps and push firmly into position. Wipe away any excess silicone and temporarily tape in place until sealant has cured.

Step 5 - French Doors only

The trickle vents are stored within the profile. Remove an end cap to retrieve, then clip the 2 x vent grilles to the slots to the outside face of the vent & the opening vent over the slots to the inside face. Position the vented head onto the outer frame as shown, if you need to cut the vent down, cut an equal amount from both sides to keep the vent centralised. Apply a bead of silicone along the front and rear face where the vent meets the frame to seal it.

To secure the vent to the frame drill suitable holes through the ventilator and into the outer frame head approximately 50mm from each end then a further hole every 300mm (approx) along the length. Secure the vent using supplied screws taking care not to over tighten.

Diagram 6



Step 6

With the door now removed, and with the help of a partner, lift the frame into your opening and wedge into position, ensuring there is an equal gap all around the frame. (Wedges not supplied). This will ensure the frame is fitted square.

Step 7

Pre-drill suitable size holes for your frame fixings **in the frame only** using a HSS drill bit. These should be positioned 150mm from each corner with no more than 500mm between each fixing. You must ensure you line up with brick not mortar. Avoid drilling where the hinges fix to the frame also. It is also recommended to fix the frame through the head and cill with at least two fixings top and bottom. Please make sure that these do not damage any damp proof course or lintel. See diagram 7,8 & 9

Diagram 7

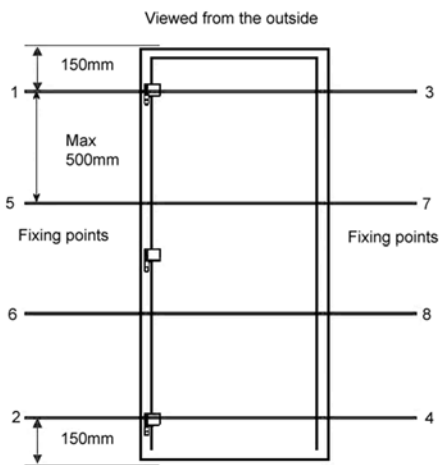


Diagram 8

Measure diagonals & check uprights front and side

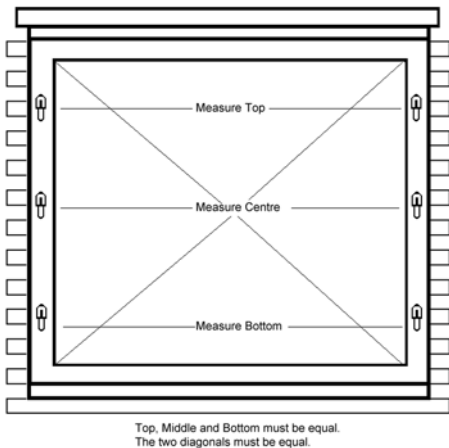
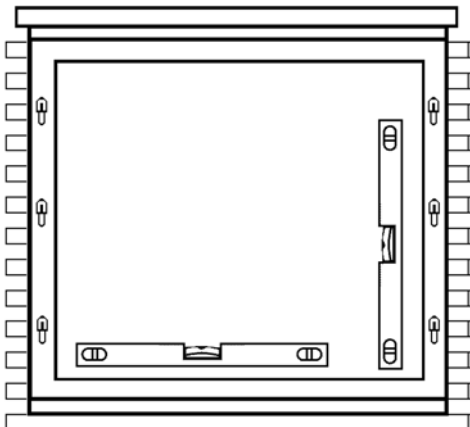


Diagram 9

Measure diagonals & check uprights front and side



Step 8

Using a spirit level, check that the base of the frame is level and the frame is standing perfectly upright, i.e. not leaning in or out of the room; to achieve this use wedges or spacers. These should always be situated by your fixings.

Step 9

Carefully drill a suitable hole for the fixings you are going to use into fixing point 1 (diag 7) through the pre-drilled holes in the outer frame using a masonry drill.

Using a suitable frame fixer, tap into position through the frame, into the brickwork then use a screwdriver to tighten. Check that the frame has not moved and is still plumb, level & square. Repeat this process for fixing points 2, 3 and 4 checking through each stage that the frame lines up. The frame should be secure, now complete fixing points 5 - 8.

Always make sure the frame does not distort.

Step 10

Cut the nozzle of the silicone sealant to the size to suit the gap around the frame. Try to complete each length with one steady stroke (**do not seal the gap between the cill and the bottom of the outer frame**).

Step 11

Once the frame is securely fixed the door can be replaced by reversing the procedure detailed in step 3

Step 12 – Alignment of the door leaves

If after fitting, you find that the doors do not align properly, then adjustments can be made.

In order for your doors to operate successfully you must achieve the following:

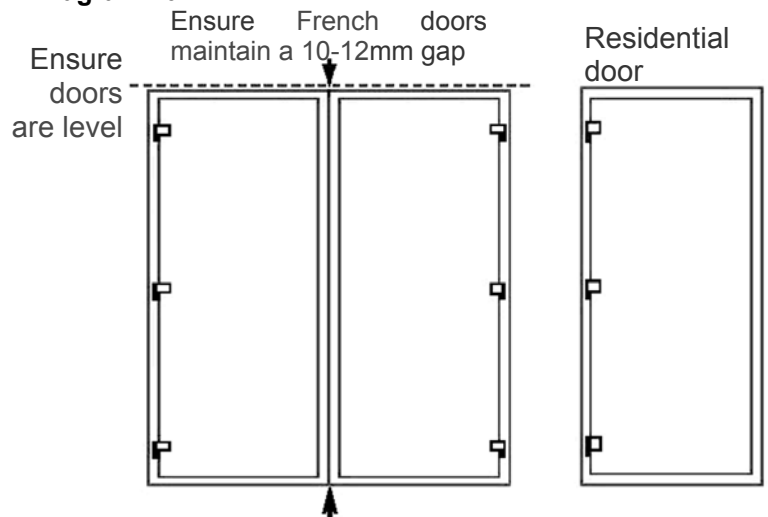
- Your French doors must be level in height.
- There must be a constant gap of 10-12mm between the doors (French doors only)
- There should be approx. 45mm distance from the edge of the sash to the edge of the outer frame. The distance must be equal on both sides.

To achieve this the following adjustment is available:

1. Horizontal Adjustment (side to side).
2. Vertical Adjustment (up and down).

Alignment of door leaves

Diagram 10



12.1. Horizontal adjustment

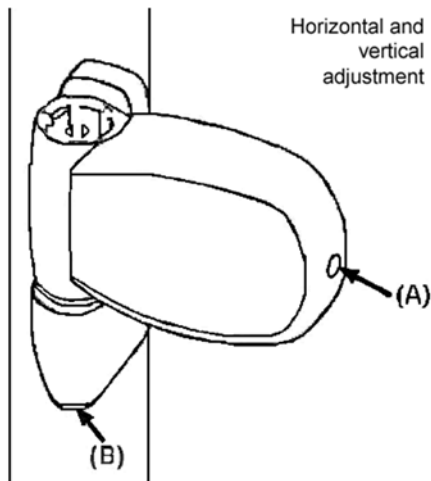
For the door and lock to operate correctly on French Doors, a consistent 10-12mm gap must be maintained between the locking leaf and slave leaf, and on Residential Doors, the door must sit square within its frame.

As an aid to adjusting the hinges, use a pencil to lightly mark on the frame where the door leaves are positioned. When opening the doors, you will be able to see where the adjustments are needed. It is also worth noting that the frame part of the hinge is fitted with an insert which is 'offset'. You will need to make sure that the insert is positioned in the same direction for all hinges.

If after fitting, adjustment is required to achieve this then adjust by turning screw (A) by means of the 5mm Allen key (supplied) in the hexagonal recess.

Adjust the door(s) until the required position(s) are achieved. Ensure, with French Doors that the required adjustments are spread evenly between both doors, i.e. if 4mm of adjustment is required, adjust both doors by 2mm each.

Diagram 11



12.2. VERTICAL ADJUSTMENT

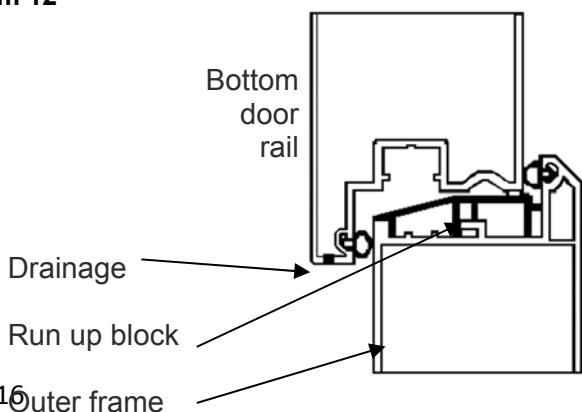
Again, for the doors and lock to operate correctly the two leaves of the French Doors need to be level with each other.

Both doors should also just clear the run up blocks situated in the outer frame cill, see diagram 12 below.

If they do touch the run up blocks, it is not detrimental to the door operation unless it is excessive.

Adjust by using the 5mm Allen key in the hexagonal recess screw (B). Adjust the bottom hinge first to give the required height, and then adjust the other hinges to take up any play.

Diagram 12



Step 13

Insert the cylinder into the door (key inserted) until the screw hole in the lock body & cylinder aligns.

Insert supplied bolt & tighten checking rotation is free when the key is turned. Take care not to over tighten

Offer the door handle into position.

Screw fixings should be placed on the inside of the door to prevent removal, see diagram 1.

Step 14

Our front residential doors usually come with the letterbox fitted, if however you decide to change to another letterbox, please ensure that a bead of silicone is applied around the edge of the external letterbox surround before fixing. Once fixed, wipe away any excess silicone from around the letterbox.

Failure to apply any silicone will invalidate any guarantee

Step 15

Additional adjustment instructions (Only if required)

Occasionally extra steps may need to be taken to adjust the keeps. If needed, the following may need to be completed;

Full Height Keep

1. For the lock to operate correctly the locking points when in the unlocked position (handles down) on the side of the door **MUST** align with the openings of the locking positions on the full height keep plate.

2. Once the door has been fitted & adjusted (if necessary) it may also be necessary to adjust the height of the full height keep plate.

3. To adjust the height of the keep plate loosen fixing screws & lift or lower the keep plate to its desired position, then re-tighten four of the screws.

4. Once you are happy with its position, fix the remainder of the screws into place.

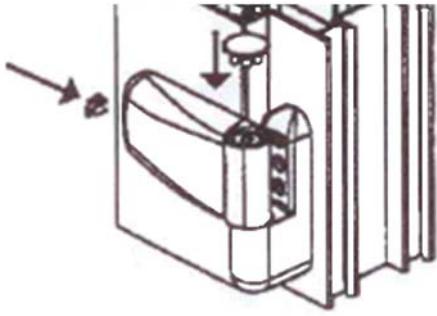
Shoot Bolt Keep(s) (French door only)

1. These are positioned in the outer frame head / cill and are secured in place through 8mm slots

2. If more or less compression is required, simply loosen the two fixing screws in each keep plate, slide the keep plate to the outside to reduce compression or slide it towards the inside to increase compression.

3. Once happy with the doors position re-tighten the fixing screws.

Once your doors have been installed and the hinges have been adjusted (if required) plastic cover caps are enclosed to cover the adjustment holes as shown



Maintenance Guidelines. - These guidelines must be adhered to or you will invalidate your guarantee.

- a) Products should be washed down periodically with a non-abrasive cleaner and warm water.
- b) To maintain the mechanism and hinges ensure they are always kept clear of obstruction like builders rubble, plaster residue and other objects.

All Moving parts are to be periodically lubricated using a light, acid free lubricant to ensure continual ease of operation.

CE

ATT Fabrications Ltd, Unit 7, Green Hills Business Park, Spennymoor, Co Durham, DL16 6JB

13

EN 145351-1:2006 + A1:2010
Unilogic 62 - Doors
CE001
Residential Door Set

Water-tightness	NPD
Air-leakage	NPD
Resistance to wind-load	NPD
Dangerous substances	None
Load-bearing capacity of safety device	350N
Acoustic performance	NPD
Thermal transmittance	<1.8 W/m ² K