



100

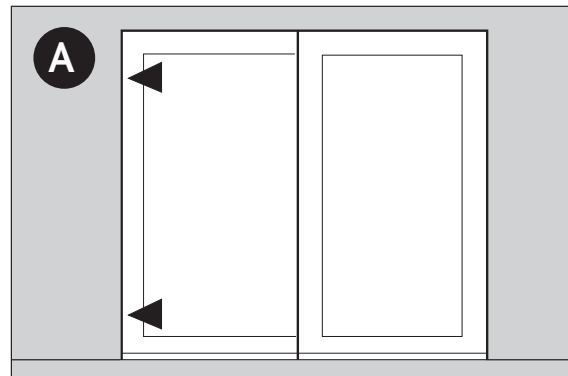
Patio Door Lock Fitting Instructions

Installing Patio Door Lock

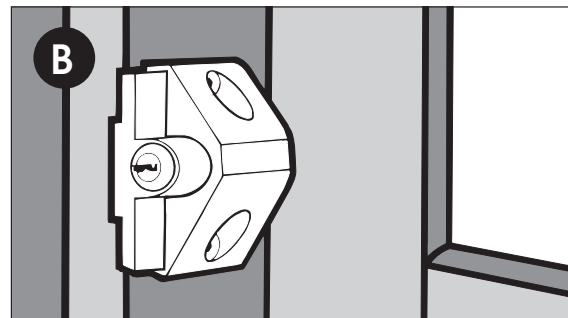
To fit a Patio Door Lock you will require:

- Drill
- 3mm and 13mm drill bits
- Posidriv screwdriver
- Pencil

Caution: Before selecting position of lock in sliding door, ensure position will clear glass and door rolling gear



- A** Close door and select position of the lock
- B** Locate lock mechanism, in unlocked position, 2.5mm from face of sliding frame. Mark and drill the two 3mm diameter holes. Do not allow drill cuttings to enter the back of locks
- C** With the door still closed, push the end of the bolt to mark the centre of the hole to be drilled in the frame. Open the door
- D** Drill a 12.7mm hole and fit ferrule in the hole.



Additional Information

Operation

Push in lock barrel to lock and turn the key clockwise to open

Security Tips

We recommend fitting Patio Door Locks at the top and bottom of the doors for extra security

Maintenance

Use a moist cloth only to clean all types of finish, household abrasives or solvents may affect the surface finish

