

**FITTING INSTRUCTIONS - NOTICE DE POSE - MONTAGE HANDLEIDING - MONTAGEANLEITUNG  
ISTRUZIONI DI MONTAGGIO - INSTUCCIONES DE MONTAJE**

**Warranty.** This product is covered by a 10 year manufacturer's warranty. Please see the P C Henderson website for terms and conditions.

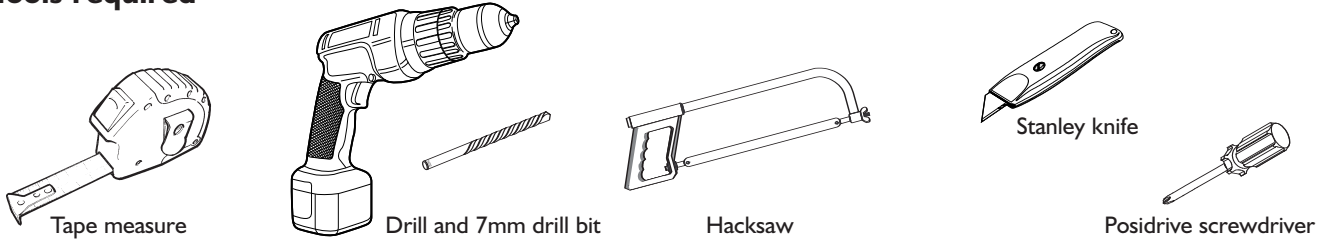
## WATCH THE INSTALLATION VIDEO

Visit: [www.pchenderson.com/zenith-installation](http://www.pchenderson.com/zenith-installation)

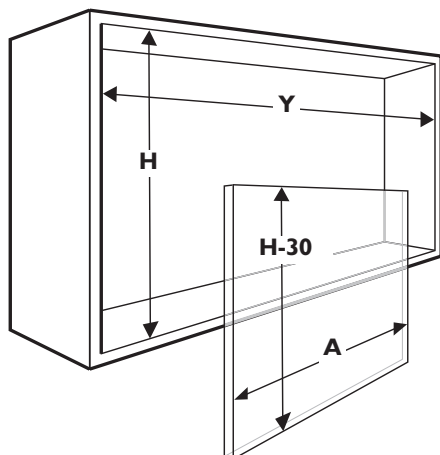
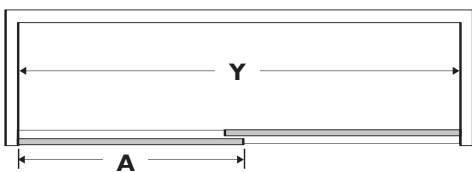
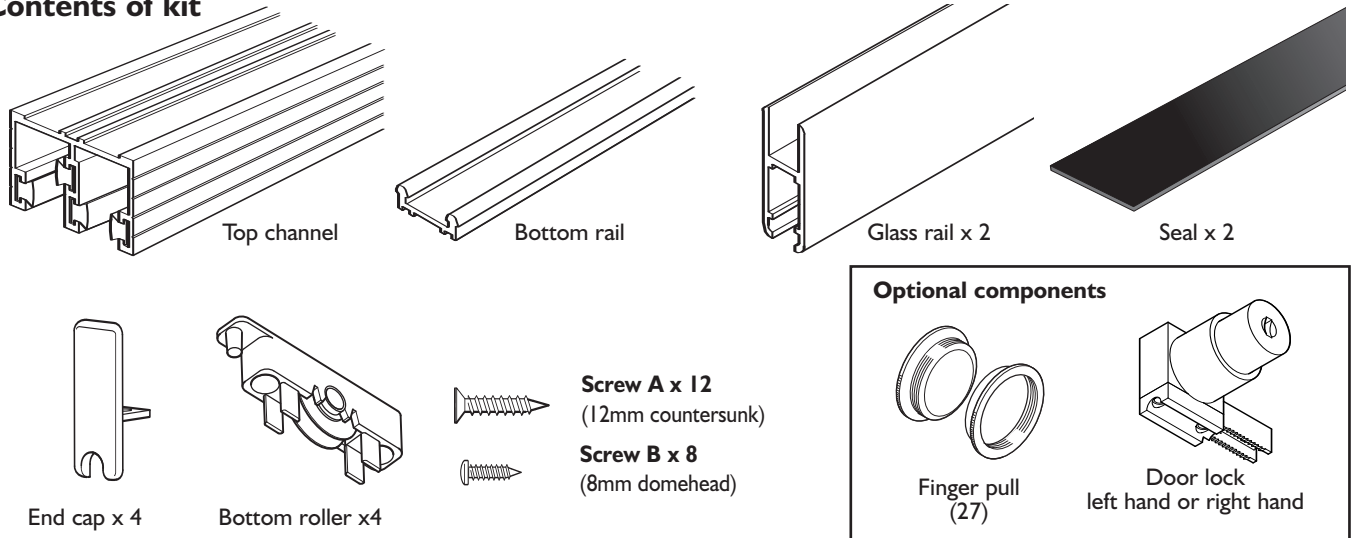
Or scan the QR code using your phone



### Tools required



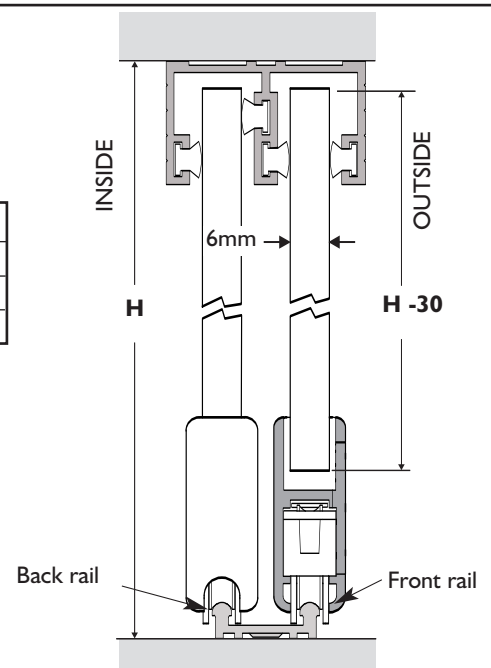
### Contents of kit



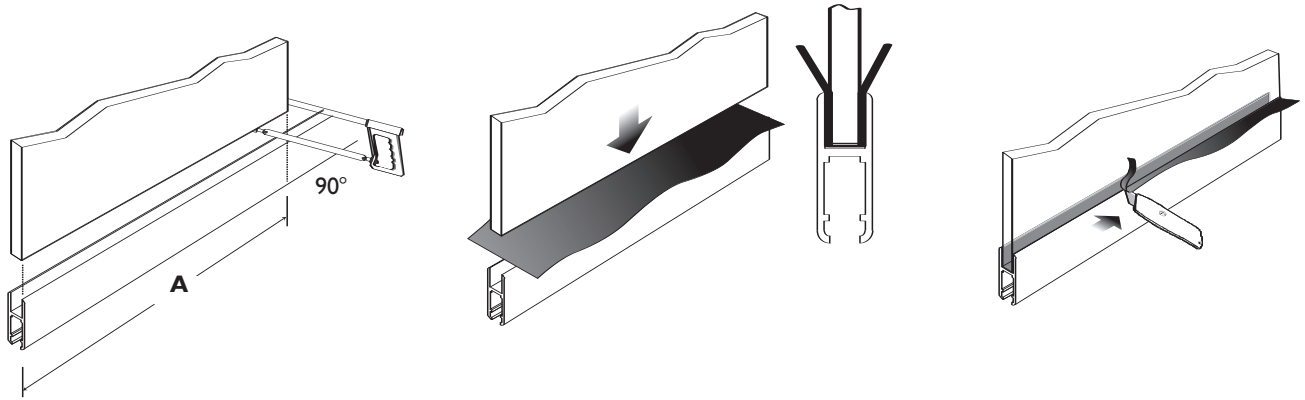
Kit	Max opening width (Y)
Z12	1200
Z15	1500
Z18	1800

Recommended maximum opening height = 1800mm

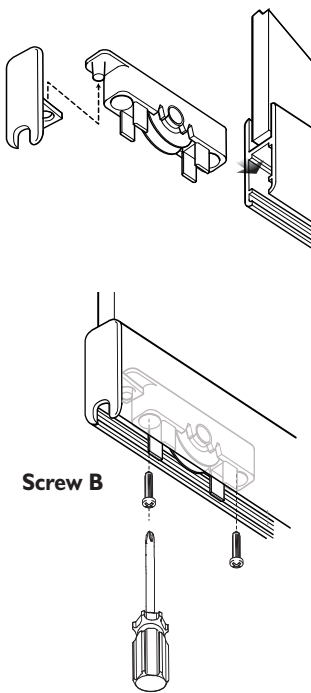
$A = \frac{1}{2} Y + 16$



## 1 Fit glass housing profile.

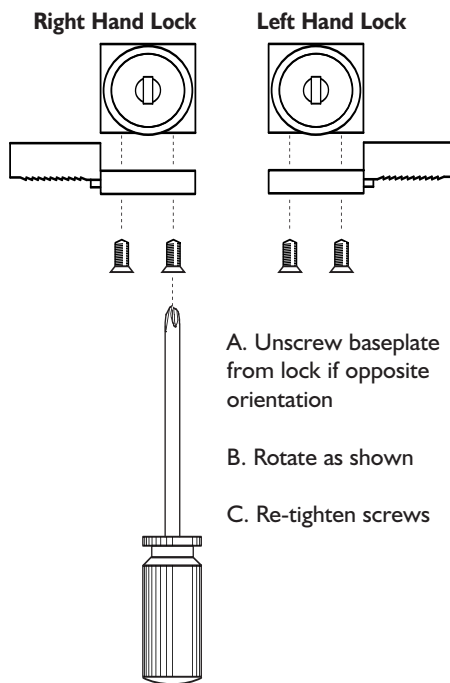


## 2 Fit bottom rollers and end caps.

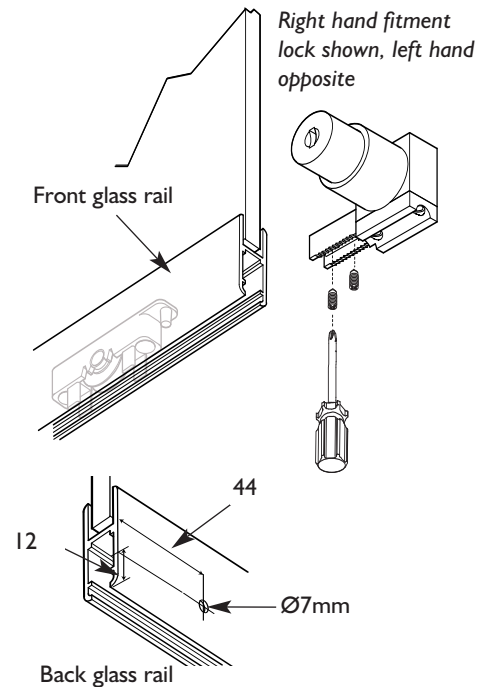


## 3 Fit Door Locks (optional).

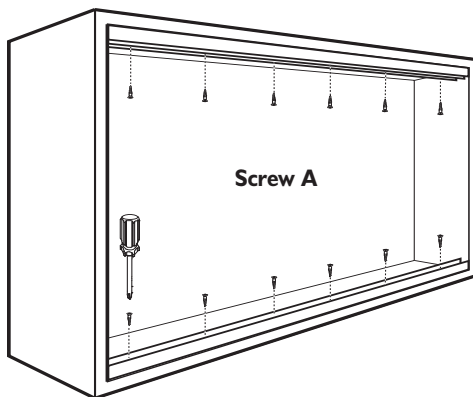
### Check/Change Hand of Lock



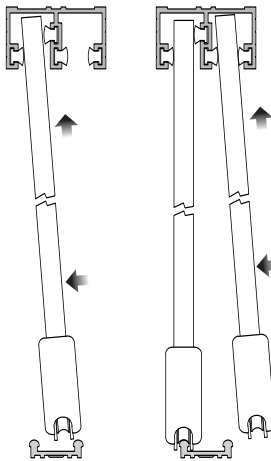
### Fit Door Lock (optional)



## 4 Fit bottom and top track.



## 5 Fit doors.



## 6 Fit finger pulls (optional).

