

<b>D</b>	Originalbetriebsanleitung - Akku-Schlagbohrschrauber	6
<b>GB</b>	Original operating manual - Cordless percussion drill	10
<b>F</b>	Notice d'utilisation d'origine - Perceuse-visseuse à percussion sans fil	14
<b>E</b>	Manual de instrucciones original - Taladro atornillador de percusión de batería	19
<b>I</b>	Istruzioni per l'uso originali - Trapano avvitatore a percussione a batteria	24
<b>NL</b>	Originele gebruiksaanwijzing - Accuslagboorschroefmachine	29
<b>S</b>	Originalbruksanvisning - Batterislagskruvdragare	33
<b>FIN</b>	Alkuperäiset käyttöohjeet - Akkuiskupora/ruuvinväännin	37
<b>DK</b>	Original brugsanvisning - Akku-slagbore-/skruemaskine	41
<b>N</b>	Originalbruksanvisning - Batteridrevet slagbor-skrumaskin	45
<b>P</b>	Manual de instruções original - Aparafusadoras de percussão de acumulador	49
<b>RUS</b>	Оригинальное руководство по эксплуатации - Аккумуляторная ударная дрель-шуруповёрт	54
<b>CZ</b>	Originální návod k použití - Akumulátorový kombinovaný šroubovák	59
<b>PL</b>	Oryginalna instrukcja eksploatacji - Akumulatorowa wiertarko-wkrętarka udarowa	63

## PDC 18/4 Li



<b>Akku-Bohrcschrauber</b>	<b>Serien-Nr.</b>
<b>Cordless drill</b>	<b>Serial no.</b>
<b>Perceuses-visseuses sans fil</b>	<b>N° de série</b>
PDC 18/4	768172

**DE EG-Konformitätserklärung.** Wir erklären in alleiniger Verantwortung, dass dieses Produkt allen einschlägigen Bestimmungen der folgenden Richtlinien einschließlich ihrer Änderungen entspricht und mit den folgenden Normen übereinstimmt:

**GB EC-Declaration of Conformity.** We declare under our sole responsibility that this product is in conformity with all relevant provisions of the following directives including their amendments and complies with the following standards:

**FR CE-Déclaration de conformité communautaire.**

Nous déclarons sous notre propre responsabilité que ce produit est conforme aux normes ou documents de normalisation suivants:

**ES CE-Declaración de conformidad.**

Declaramos bajo nuestra exclusiva responsabilidad que este producto corresponde a las siguientes normas o documentos normalizados:

**IT CE-Dichiarazione di conformità.**

Dichiariamo sotto la nostra esclusiva responsabilità che il presente prodotto è conforme alle norme e ai documenti normativi seguenti:

**NL EG-conformiteitsverklaring.**

Wij verklaren op eigen verantwoordelijkheid dat dit produkt voldoet aan de volgende normen of normatieve documenten:

**SE EG-konformitetsförklaring.**

Vi förklarar i eget ansvar, att denna produkt stämmer överens med följande normer och normativa dokument:

**FIN EY-standardinmukaisuusvakuutus.**

Vakuutamme yksinvastuullisina, etta tuote on seuraavien standardien ja normatiivisten ohjeiden mukainen:

**DK EF-konformitetserklæring**

Vi erklærer at have alene ansvaret for, at dette produkt er i overensstemmelse med de følgende normer eller normative dokumenter:

**N CE-Konformitetserklæring**

Vi erklærer på eget ansvar at dette produktet er i overensstemmelse med følgende normer eller normative dokumenter:

**P CE-Declaração de conformidade:**

Declaramos, sob a nossa exclusiva responsabilidade, que este produto corresponde às normas ou aos documentos normativos citados a seguir:

**RU Декларация соответствия ЕС:** Мы заявляем с исключительной ответственностью, что данный продукт соответствует следующим нормам или нормативным документам:

**CZ ES prohlášení o shodě:** Prohlašujeme s veškerou odpovědností, že tento výrobek je ve shodě s následujícími normami nebo normativními dokumenty: .

**PL Oświadczenie o zgodności z normami UE:**

Niniejszym oświadczamy na własną odpowiedzialność, że produkt ten spełnia następujące normy lub dokumenty normatywne:

---

2006/42/EG, 2014/30/EU, 2011/65/EU  
EN 60745-1, EN 60745-2-1, EN 60745-2-2,  
EN 50581

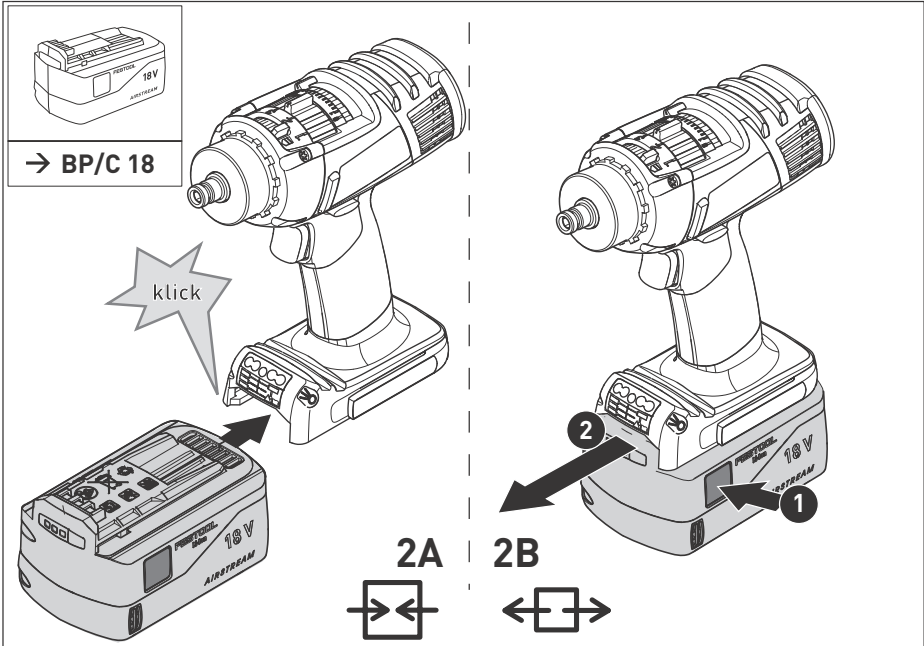
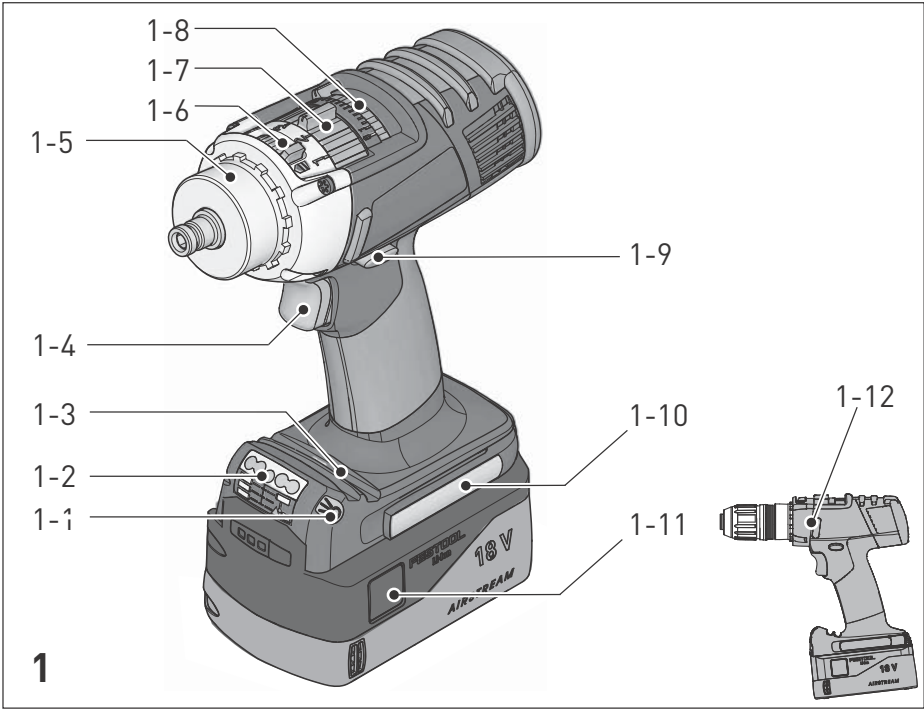
---

**CE** Festool GmbH  
Wertstr. 20

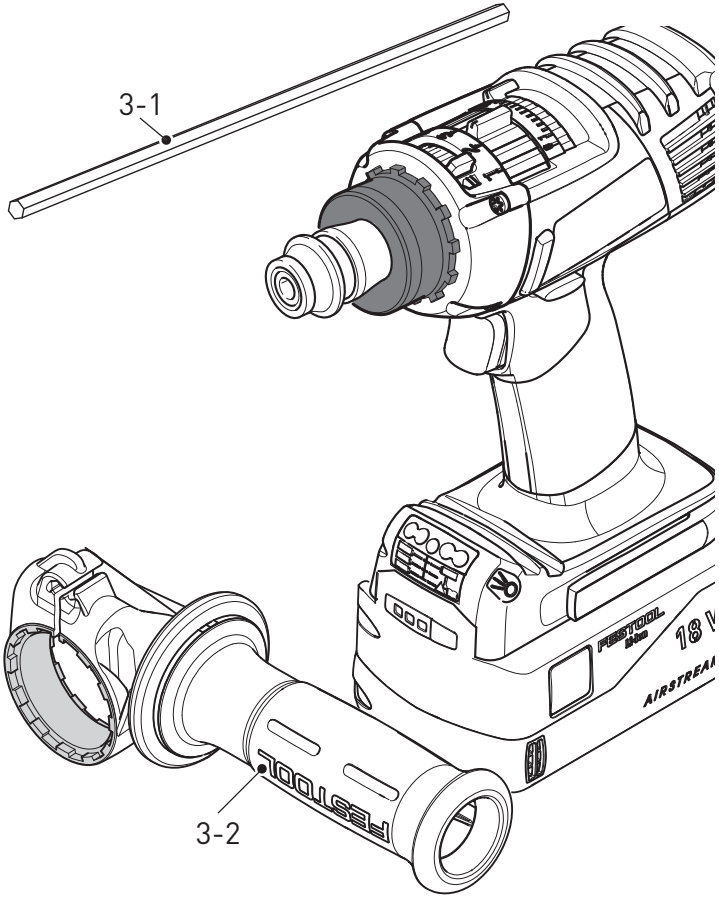
*ppa W. Zondler*

Wolfgang Zondler  
Head of Research, Development and Technical Documentation

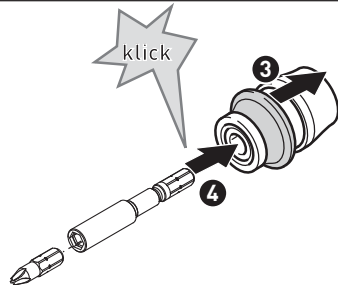
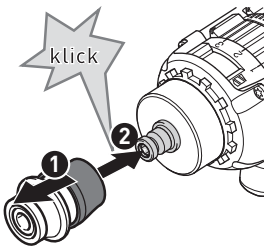
Wendlingen, 2016-06-20

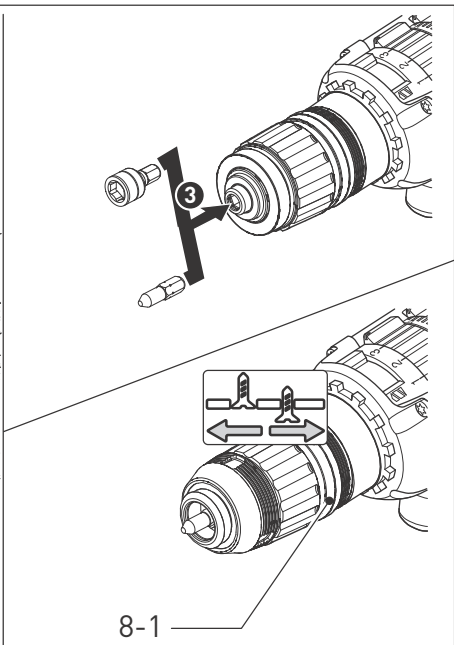
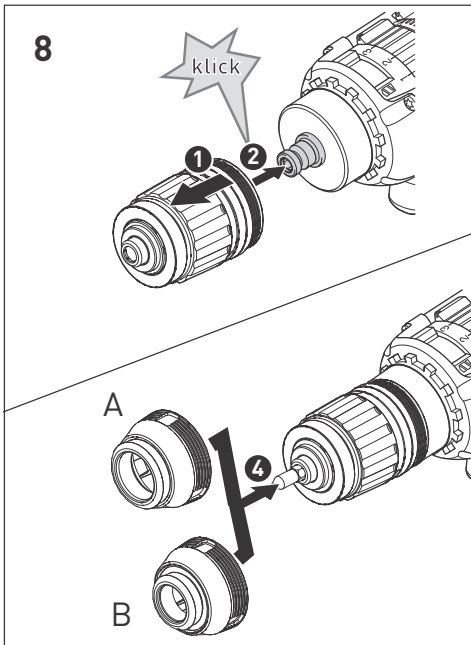
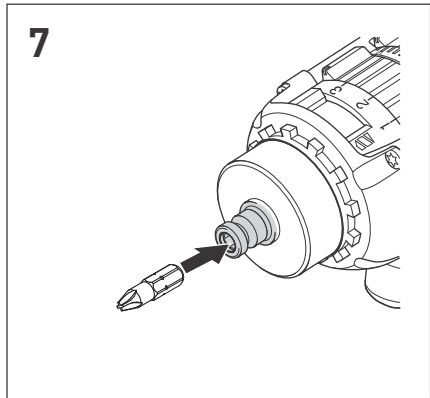
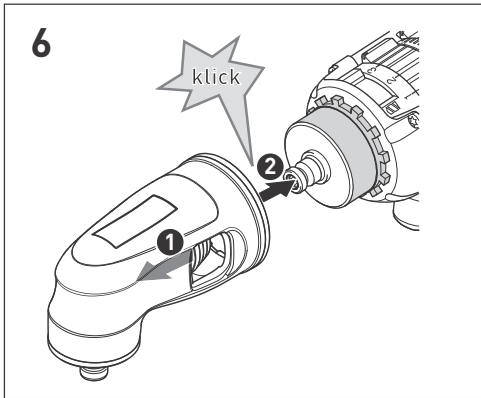
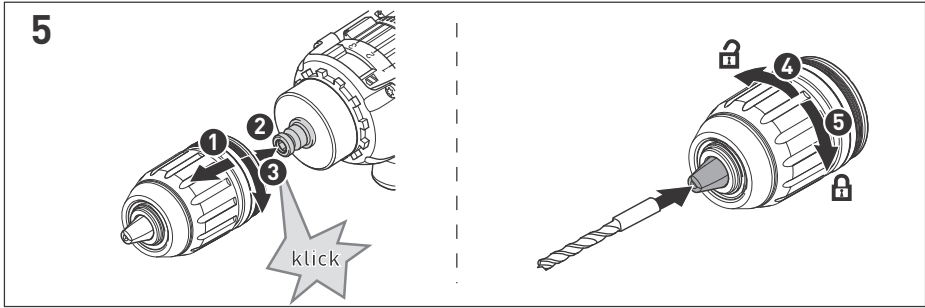


3



4





## Original operating manual


### 1 Symbols

#### Symbol Significance

	Warning of general danger
	Risk of electric shock
	Read operating instructions and safety notices!
	Wear ear protection.
	Wear protective gloves.
	Wear a dust mask.
	Wear protective goggles.
	Do not dispose of as domestic waste.
	Tip or advice
	Handling instruction

### 2 Safety instructions

#### 2.1 General safety instructions

 **WARNING! Read all safety warnings, instructions, illustrations and specifications provided with this power tool.** Failure to follow all instructions listed below may result in electric shock, fire and/or serious injury.

**Save all warnings and instructions for future reference.**

The term "power tool" in the warnings refers to your mains-operated (corded) power tool or battery-operated (cordless) power tool.

#### 2.2 Machine-specific safety notices for cordless drills


- **Wear ear protection when impact drilling.** Exposure to noise can result in loss of hearing.
- **Use auxiliary handles supplied with the tool.** Loss of control can cause personal injury.
- **Hold power tool by insulated gripping surfaces, when performing an operation where the cutting accessory or fastener may contact hidden wiring.** Cutting accessory or fasteners contacting a "live" wire may make exposed metal parts of the

power tool "live" and could give the operator an electric shock.

- **Use suitable detectors to determine if utility lines are hidden in the work area or call the local utility company for assistance.** Contact with electric lines can lead to fire and electric shock. Damaging a gas line can lead to explosion. Penetrating a water line causes property damage or may cause an electric shock.



- **Wear suitable protection:** such as ear protection, safety goggles, a dust mask for work which generates dust, and protective gloves when working with raw materials and when changing tools.

 **CAUTION! Power tool can block and cause sudden kickback!** Switch off immediately!

- **Hold the power tool firmly in your hand. Adjust the torque correctly for screwing. Be prepared for a high reaction torque,** which may cause the power tool to turn and possibly lead to injury.
- **Do not use the power tool in the rain or in damp surroundings.** Moisture in the power tool may cause a short circuit and burning.
- Do not lock the on/off switch permanently!

#### 2.3 Emission levels

Levels determined in accordance with EN 60745 are typically:

##### Drilling

Sound pressure level	$L_{PA} = 73 \text{ dB(A)}$
Noise level	$L_{WA} = 84 \text{ dB(A)}$
Uncertainty	$K = 3 \text{ dB}$

##### Impact drilling

Sound pressure level	$L_{PA} = 104 \text{ dB(A)}$
Noise level	$L_{WA} = 115 \text{ dB(A)}$
Uncertainty	$K = 3 \text{ dB}$

#### **CAUTION**

##### When working with noise

##### Damage to hearing

- ▶ Always use ear protection.

Vibration emission value  $a_{hv}$  (vector sum for three directions) and uncertainty K measured in accordance with EN 60745:

Drilling in metal	$a_h = 5,6 \text{ m/s}^2$ $K = 1,5 \text{ m/s}^2$
Fastening	$a_h < 2,5 \text{ m/s}^2$ $K = 1,5 \text{ m/s}^2$
Impact drilling into concrete	$a_h = 12,4 \text{ m/s}^2$ $K = 3,0 \text{ m/s}^2$

The specified emission values (vibration, noise)

- are used to compare machines.
- They are also used for making preliminary estimates regarding vibration and noise loads during operation.
- They represent the primary applications of the power tool.

Increase possible for other applications, with other insertion tools or if not maintained adequately. Take note of idling and downtimes of machine!

### 3 Intended use

Cordless impact drills are suitable for

- drilling in metal, wood, plastic and similar materials,
- impact drilling into walls, concrete and similar building materials,
- inserting and tightening screws



The user is liable for improper or non-intended use; this also includes continuous industrial operation.

### 4 Technical data

Cordless percussion drill		PDC 18/4 Li
Motor voltage		18 V
Idling speed*	1st gear	0 - 400 min <sup>-1</sup>
	2nd gear	0 - 850 min <sup>-1</sup>
	3rd gear	0 - 1850 min <sup>-1</sup>
	4th gear	0 - 3800 min <sup>-1</sup>
Torque for easy/tough fastening applications		40/60 Nm
Adjustable torque**	1st gear	1,2 - 11,5 Nm
	2nd gear	0,8 - 7,2 Nm
	3rd gear	0,6 - 4,7 Nm
	4th gear	0,6 - 2,6 Nm
Chuck clamping range		1,5 - 13 mm
Drill diameter max.	Wood	50 mm
	Metal	13 mm

Cordless percussion drill		PDC 18/4 Li
Fastening in pine	max. Ø	10 mm
Tool holder in drill spindle		1/4"
Weight without battery pack with Centrotec		1,3 kg

\* Speed specifications with fully charged battery pack.

\*\* The maximum speed is reduced in the lower torque stages (values in counterclockwise rotation).

### 5 Machine features

- [1-1]** LED light switch
- [1-2]** LED lamp
- [1-3]** Bit store
- [1-4]** On/Off switch
- [1-5]** Clamping sleeve
- [1-6]** Drilling/impact drilling selector switch
- [1-7]** Gear switch
- [1-8]** Torque thumbwheel
- [1-9]** Right/left switch
- [1-10]** Belt clip
- [1-11]** Button for releasing the battery pack
- [1-12]** Insulated gripping surfaces (grey shaded area)

Accessories shown or described are sometimes not included in the scope of delivery.


The specified illustrations appear at the beginning of the Operating Instructions.

### 6 Commissioning


#### 6.1 Changing the battery pack

##### Inserting the battery pack [2 A]

##### Removing the battery pack [2 B]

-  Battery pack is ready for use immediately upon delivery and can be charged at any time.

#### 6.2 Light and battery capacity indicator

 The LED on the lamp [1-2] is both a light and a battery capacity indicator .

► Press the LED light switch [1-1]:

1x ... LED, working area illumination

2x ... capacity indicator, indicates the charging state of the battery pack (not with NiCd and NiMH battery packs)



**LED green – lit continuously:**  
charged > 60 %



**LED green – flashing slowly:**  
charged 30 % – 60 %



**LED green – flashing quickly:**  
charged 0 % – 30 %



**LED yellow – lit continuously:**  
battery is empty



**LED red – lit continuously:** bat-  
tery temperature is outside the  
permitted range.



**LED red – flashing:** indicates a  
general fault, e.g. incomplete  
contact, short circuit, battery  
pack faulty, etc.

## 7 Settings



### CAUTION

#### Risk of injury

- ▶ Always switch off the power tool before adjusting settings!

### 7.1 Changing direction of rotation [1-9]

- Switch to the left = clockwise rotation
- Switch to the right = counterclockwise rotation

### 7.2 Changing gear

You can change gear using the gear switch [1-7].

### 7.3 Adjusting the torque [1-8]

#### Fastening

Select the correct torque setting:

Position 1 = low torque

Position 12 = high torque

An **acoustic signal** sounds when the preset torque is reached and the machine then switches off. You must release and press the ON/OFF switch [1-4] again to start the machine.

#### Drilling

Mark is aligned with drill symbol = maximum torque.

### 7.4 Impact drilling

① The machine was designed for impact drilling into tiles, masonry and stone.

Set the selector switch [1-6] to the hammer symbol. Set the adjusting wheel [1-8] to the drill symbol.

## 8 Tool holder, attachments



### WARNING

#### Risk of injury

- ▶ Always disconnect the battery pack before performing any type of work on the machine!



### CAUTION

#### Hot and sharp tools

#### Risk of injury

- ▶ Do not use insert tools that are blunt or defective.
- ▶ Wear protective gloves.

① **Prior to initial use:** apply multi-purpose grease to the drill spindle and gearbox neck.

### 8.1 CENTROTEC tool chuck [4]

Quick change of tools with CENTROTEC shaft



Only clamp CENTROTEC tools in CENTROTEC tool chucks.



Wear gloves when replacing!

### 8.2 Chuck [5]

For clamping drill bits and bits with max. shaft diameter of 13 mm.



Clamp tool centrally in the chuck.

### 8.3 Angle attachment [6]

Drilling and screwdriving at right angle to machine (partly as an accessory).

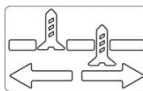
### 8.4 Tool holder in the drill spindle [7]

Bits can be inserted directly into the hexagon socket holder of the drill spindle.

### 8.5 Depth stop [8]

The depth stop (partly as an accessory) allows the user to insert screws to a predefined depth. You can set the dimension by which the screw head protrudes above or is recessed below the surface of the workpiece.

#### Depth setting



Turn the housing [8-1] to set the desired fastening depth. Each detent position changes the fastening depth by 0.1 mm.

Sleeve A/B must be removed before a screw can be unscrewed.



## 9 Working with the machine



### WARNING

#### Risk of injury

- ▶ Always secure the workpiece in such a manner that it cannot move while being machined.

#### 9.1 On/Off switch [1-4]

Press = ON, release = OFF

- ① The speed of the machine depends on how far the on/off switch is pressed in.

#### 9.2 Bit store [1-3]

Magnetic, for storing bits and bit holders.

#### 9.3 Belt clip [1-10]

The belt clip (right/left) allows the user to attach the machine briefly to work clothing.

#### 9.4 Attaching the additional handle[3]



Always use the additional handle.

- ▶ Position the additional handle [3-2] on the extension of the gearbox housing and engage the recesses on the additional handle in the lugs on the housing.
- ▶ Turn the handle until secured in position.
- ① Turn the handle to adjust the position in 30° increments.
- ① The drilling depth can be adjusted using the depth stop [3-1].

#### 9.5 Acoustic warning signal

Acoustic warning signals sound and the machine switches off in the following operating states:



- Preset torque reached.
- "Block protect", starting torque too high.
- Machine overloaded

## 10 Service and maintenance



### WARNING

#### Risk of injury, electric shock

- ▶ Always disconnect the battery pack from the machine before any cleaning or maintenance!
- ▶ All maintenance and repair work which requires the motor housing to be opened, must only be carried out by an authorised service workshop.



**Customer service and repair** only through manufacturer or service workshops: Please find the nearest address at: [www.festool.com/service](http://www.festool.com/service)



Only use original Festool spare parts! Order No. at: [www.festool.com/service](http://www.festool.com/service)

#### Note the following information:

- Keep the ventilation slits on the machine free and clean to ensure adequate cooling.
- Keep the contacts on the machine, charger and battery pack clean.



For service, maintenance, disposal and transport of the battery pack, note enclosed instructions of the battery pack!

## 11 Environment



**Do not dispose of the device in household waste!** Recycle devices, accessories and packaging. Observe applicable national regulations.

**EU only:** In accordance with European Directive on waste electrical and electronic equipment and implementation in national law, used electric power tools must be collected separately and handed in for environmentally friendly recycling.

**Information on REACh:** [www.festool.com/reach](http://www.festool.com/reach)