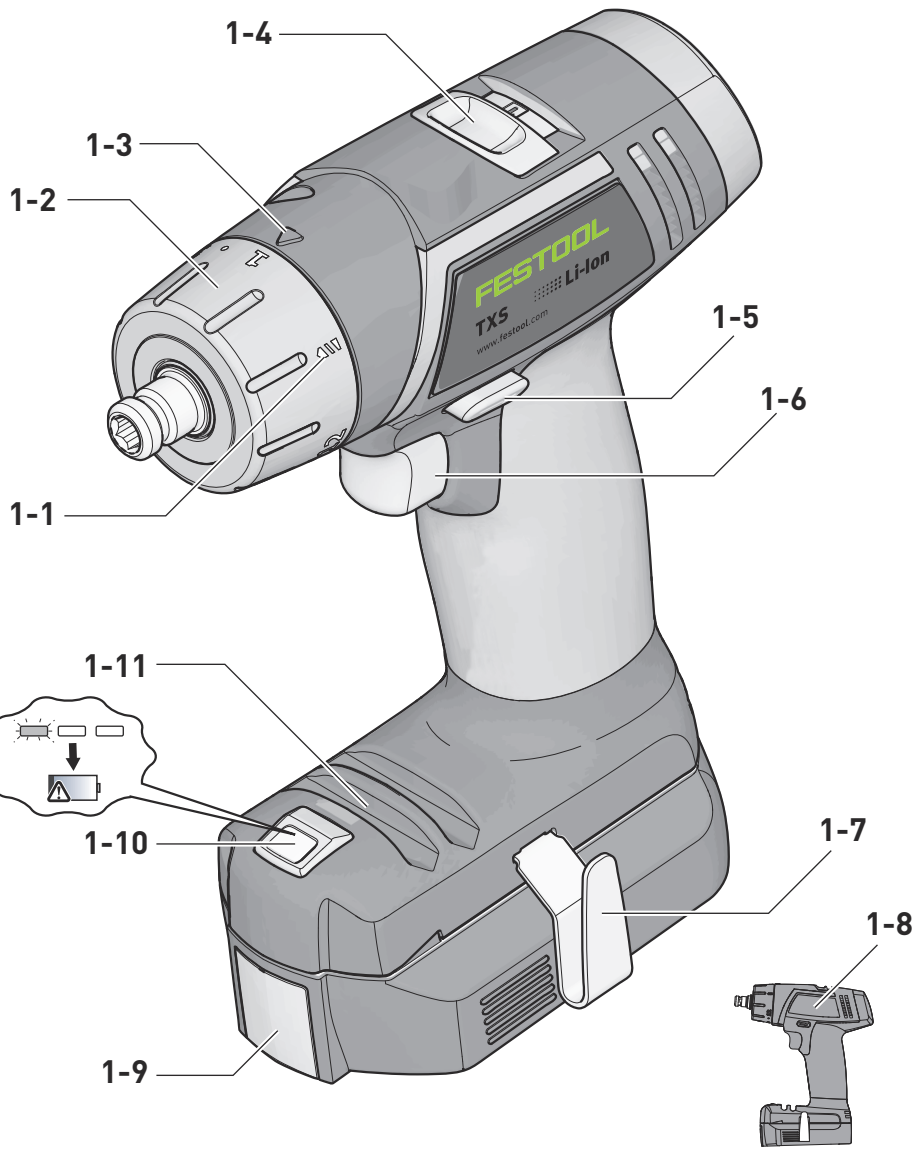


D	Originalbetriebsanleitung - Akku-Bohrschrauber	7
GB	Original operating manual - Cordless drill	12
F	Notice d'utilisation d'origine - Perceuses-visseuses sans fil	17
E	Manual de instrucciones original - Taladro atornillador de batería	22
I	Istruzioni per l'uso originali - Trapano avvitatore a batteria	27
NL	Originele gebruiksaanwijzing - Accuschroefboormachines	32
S	Originalbruksanvisning - Batteri-borr/skruvdragare	27
FIN	Alkuperäiset käyttöohjeet - Akkukäyttöinen porakone/ruuvinväänin	42
DK	Original brugsanvisning - Akku bore-skruemaskine	47
N	Originalbruksanvisning - Batteridrevet bor-/skrumaskin	52
P	Manual de instruções original - Aparafusadora de acumulador	57
RUS	Оригинал Руководства по эксплуатации - Аккумуляторная дрель-шуруповёрт	62
CZ	Originál návodu k obsluze - Akušroubovák - vrtačka	68
PL	Oryginalna instrukcja eksploatacji - Akumulatorowa wiertarko-wkrętarka	73

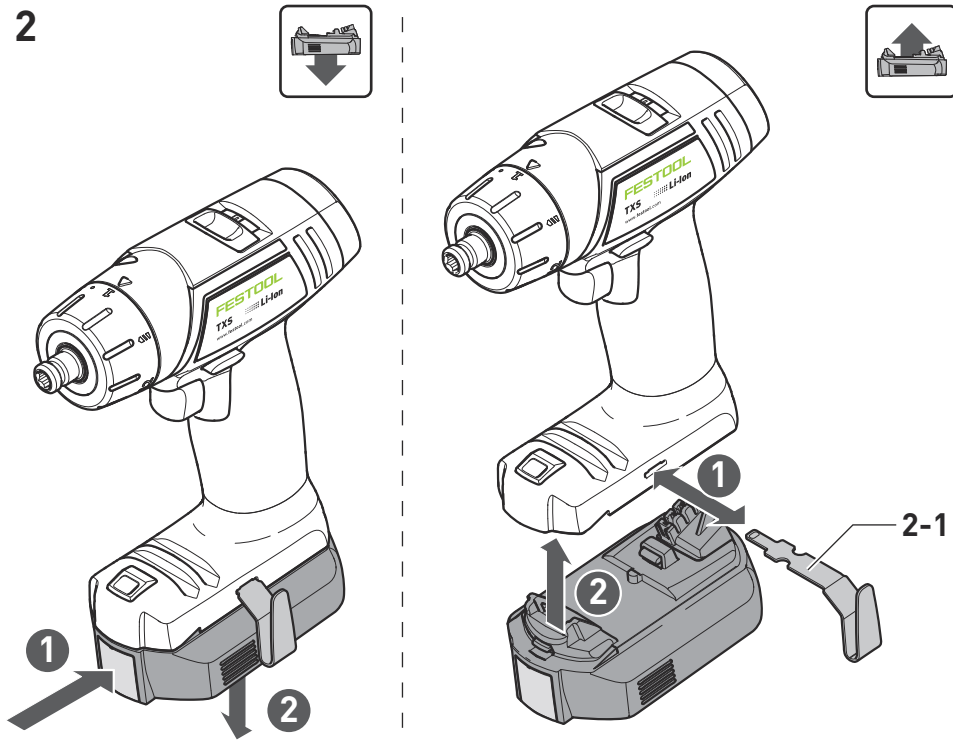
TXS



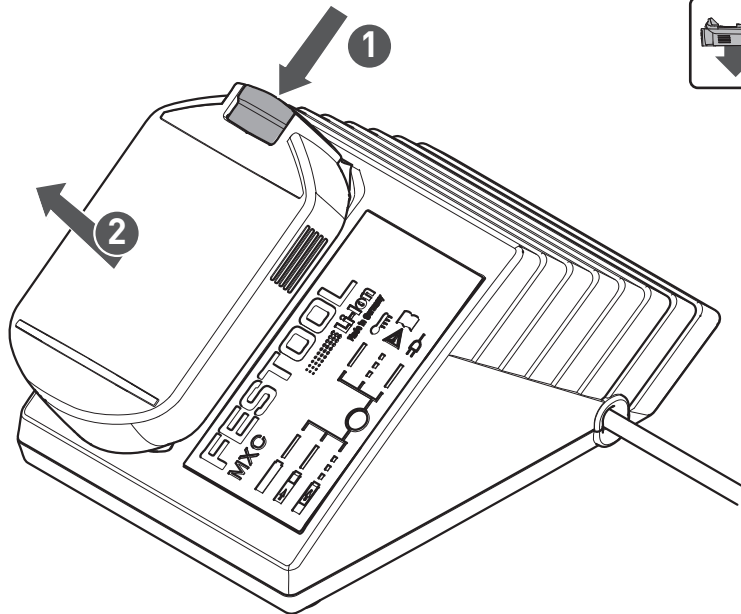
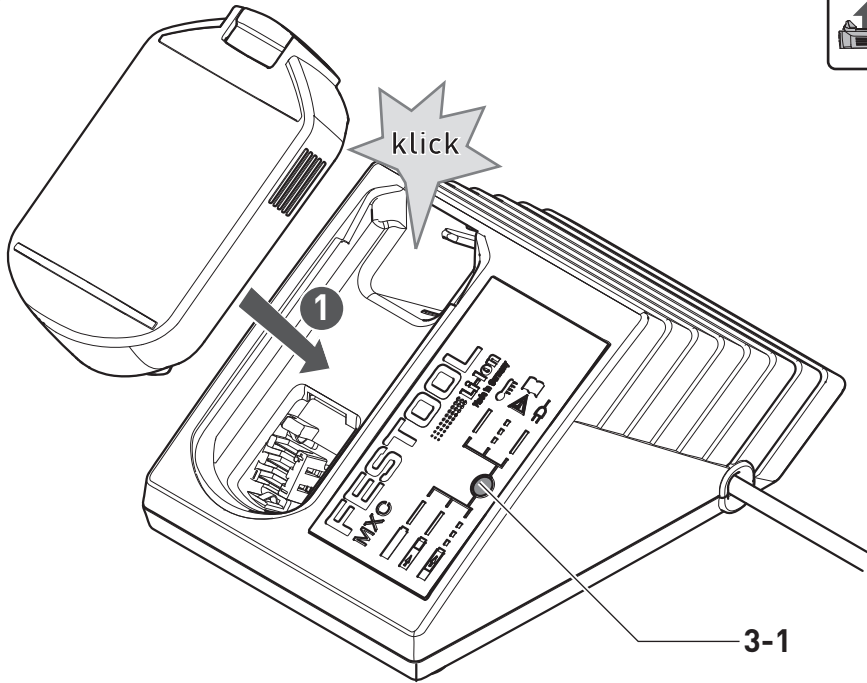
1



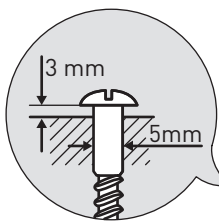
2



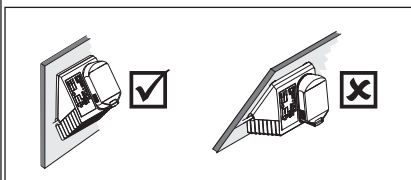
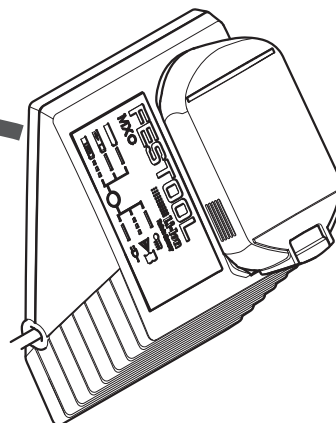
3



3A

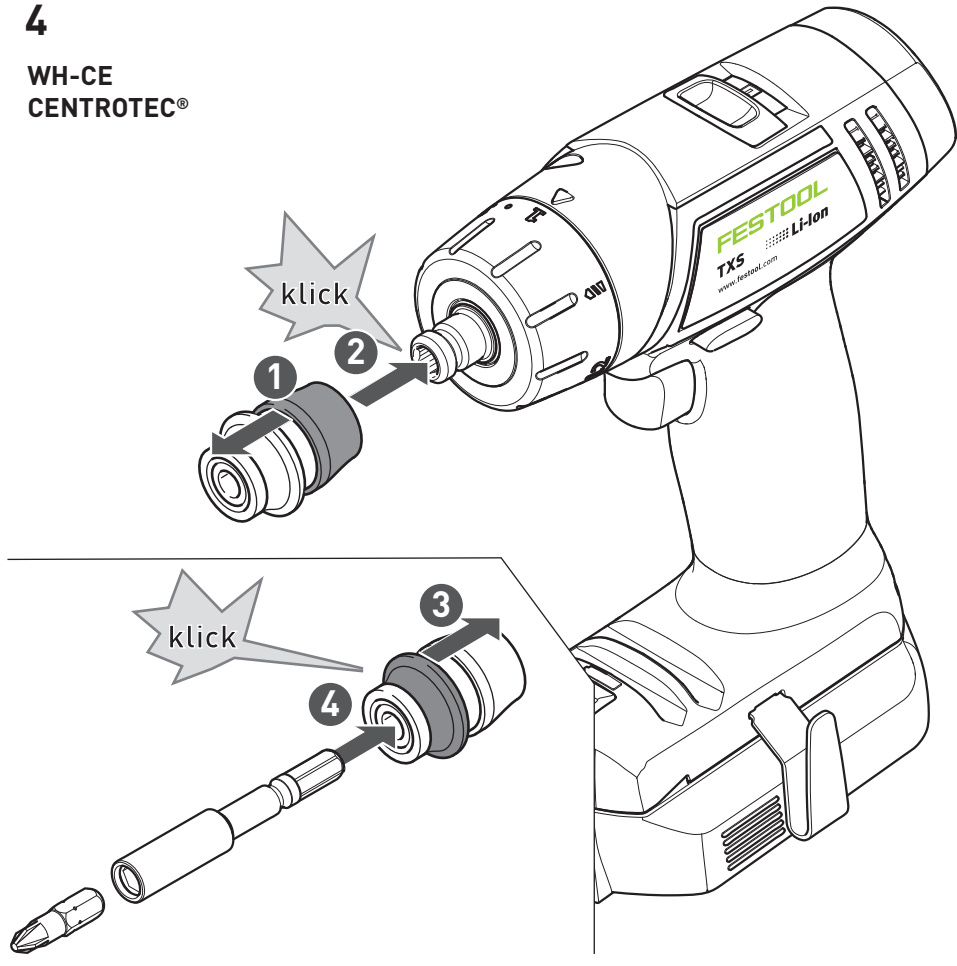


85 mm
(3 11/32")



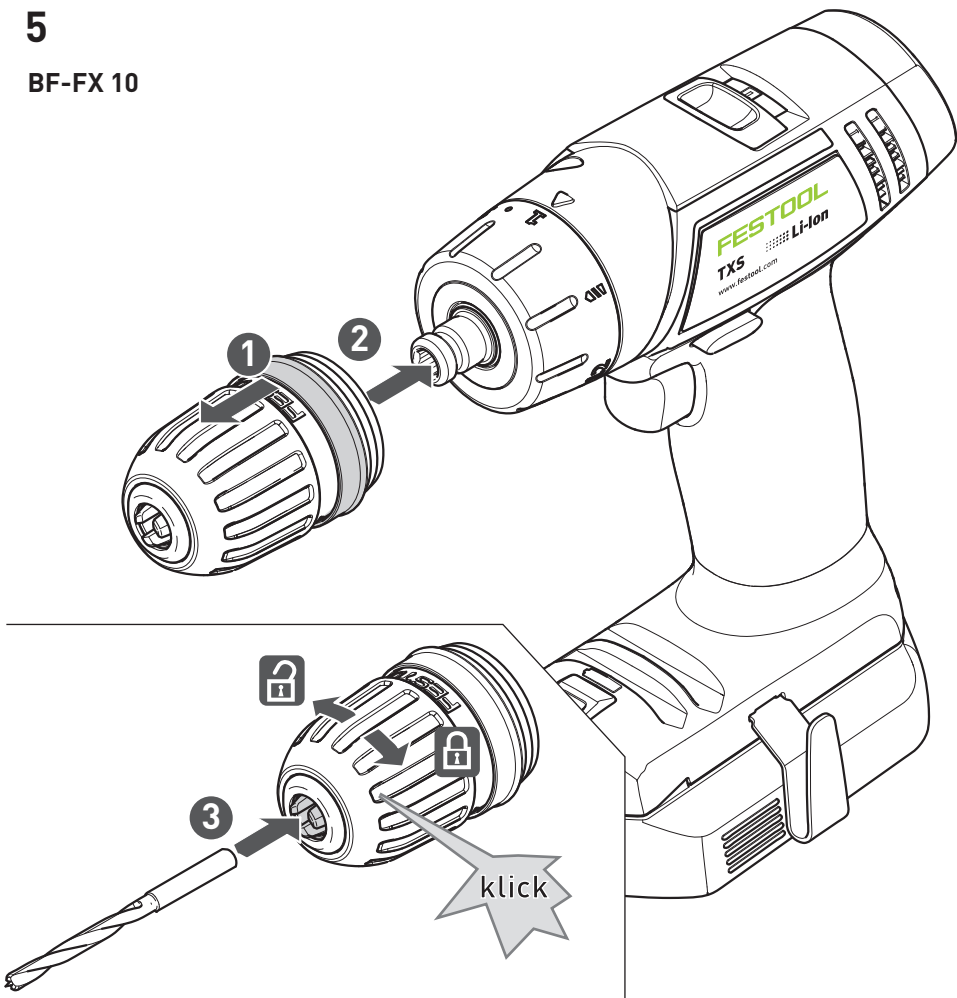
4

WH-CE
CENTROTEC®



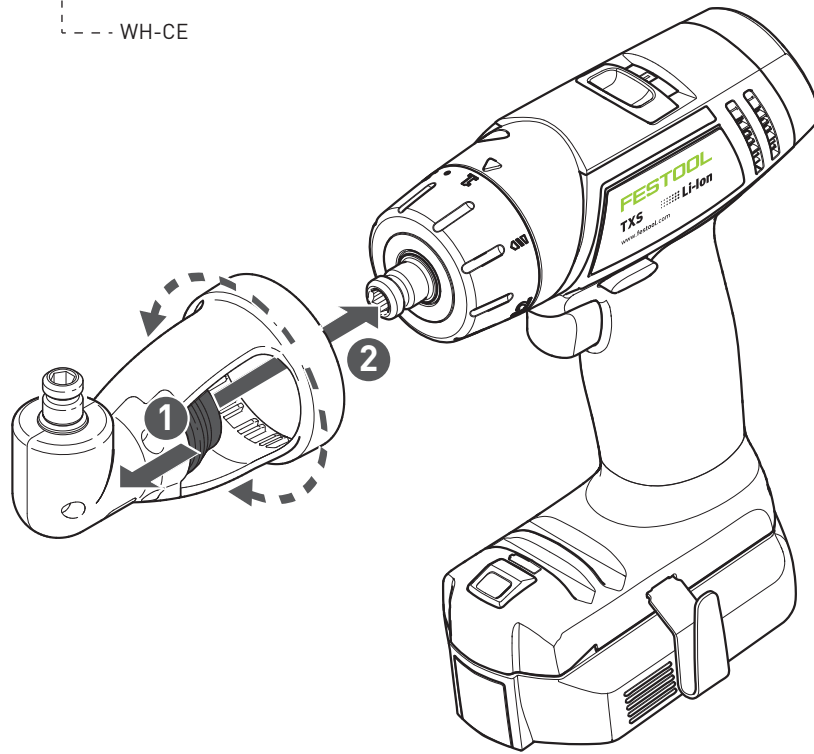
5

BF-FX 10

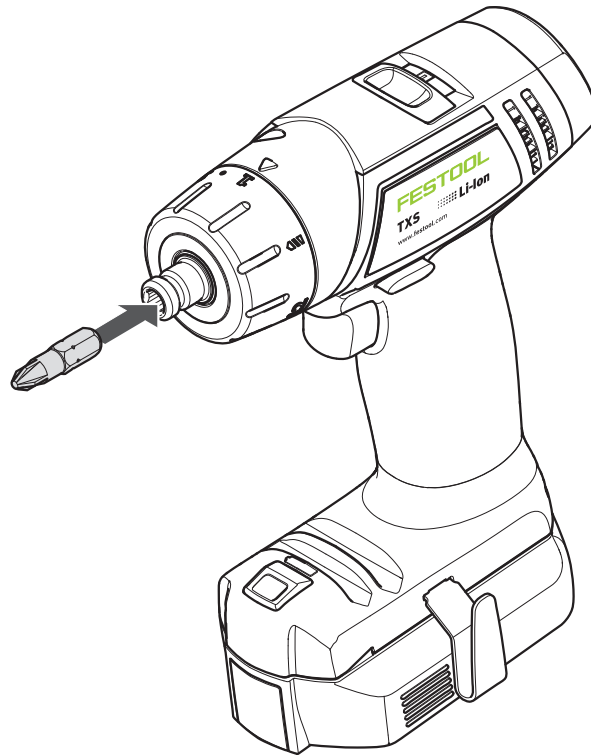


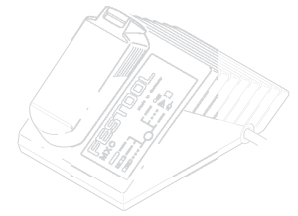
6

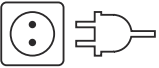




XS-AS --- BF-FX 8
 --- BF-FX 10
 --- WH-CE





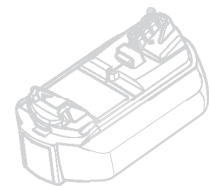
7

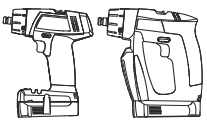








MXC		
	V~	220 - 240
	Hz	50/60
	V=	10,8
	A	2,6
	C	-10° - 40°
		II

		100 % 
Lilon 1,5 Ah	min.	~ 23
Lilon 2,6 Ah	min.	~ 45





BP-XS		
		CXS, TXS
U	V=	10,8
	Ah	2,6
# 		3
	C	0° - 55°
	kg	0,22

Original operating manual


1 Symbols

Symbol Significance

	Warning of general danger
	Risk of electric shock
	Read operating instructions and safety notices!
	Wear ear protection.
	Wear protective gloves.
	Wear a dust mask.
	Wear protective goggles.
	Do not dispose of with domestic waste.
	Inserting the battery pack.
	Removing the battery pack.
	Tip or advice
	Handling instruction
	Mains voltage (input) and frequency
	Voltage (output)
	Rapid charging max.
	Permitted temperature range
	Safety class II
	Charging times
	Capacity
	Number of cells
	Weight

2 Safety instructions

2.1 General safety instructions

 **WARNING! Read all safety warnings and all instructions.** Failure to follow the warnings and instructions may result in electric shock, fire and/or serious injury.

Save all warnings and instructions for future reference.


The term "power tool" in the warnings refers to your mains-operated (corded) power tool or battery-operated (cordless) power tool.

2.2 Machine-specific safety notices for cordless drills

- **Hold power tool by insulated gripping surfaces, when performing an operation where the cutting accessory or fastener may contact hidden wiring.** Cutting accessory or fasteners contacting a "live" wire may make exposed metal parts of the power tool "live" and could give the operator an electric shock.
- **Use suitable detectors to determine if utility lines are hidden in the work area or call the local utility company for assistance.** Contact with electric lines can lead to fire and electric shock. Damaging a gas line can lead to explosion. Penetrating a water line causes property damage or may cause an electric shock.



- **Wear suitable protection:** such as ear protection, safety goggles, a dust mask for work which generates dust, and protective gloves when working with raw materials and when changing tools.

 **CAUTION! Power tool can block and cause sudden kickback!** Switch off immediately!

- Do not lock the on/off switch permanently!

2.3 Battery pack and charger safety instructions

- This charger can be operated by persons with reduced physical, sensory or mental capabilities or a lack of practical experience and knowledge, provided they are supervised or have been instructed to use the machine safely and understand the dangers of machine operation. **Children** are not allowed use or play with the machine.
- Do not open the battery pack or the charger!
- Prevent metal parts (e.g. metal chips) or fluids from entering the charger!
- **Do not use power adapters or battery packs from other manufacturers to operate the cordless power tool. Do not use any charger from other manufacturers for charging the battery pack.** The use of impermissible accessories may result in electric shock and / or serious accidents!

- Protect the battery pack from excessive heat > 50 °C or constant heat sources such as sunlight or naked flames!
- Never use water to extinguish burning li-ion battery packs! Use sand or a fire blanket.
- Check the plug and the cable regularly and should either become damaged, in order to avoid a hazard, have them replaced by an authorised after-sales service workshop.
- Always pull the mains plug out of the socket when the charger is not in use.

2.4 Emission levels

Levels determined in accordance with EN 60745 are typically:

Sound pressure level	$L_{PA} = 65 \text{ dB(A)}$
Sound power level	$L_{WA} = 76 \text{ dB(A)}$
Uncertainty	$K = 3 \text{ dB}$



Wear ear protection.

Vibration emission value a_h (vector sum for three directions) and uncertainty K measured in accordance with EN 60745:

Fastening	$a_h = 4,0 \text{ m/s}^2$ $K = 1,5 \text{ m/s}^2$
Drilling in metal	$a_h = 3,0 \text{ m/s}^2$ $K = 1,5 \text{ m/s}^2$

The specified emissions values (vibration, noise)

- are used to compare machines.
- They are also used for making preliminary estimates regarding vibration and noise loads during operation.
- They represent the primary applications of the power tool.

Increase possible for other applications, with other insertion tools or if not maintained adequately. Take note of idling and downtimes of machine!

3 Intended use

Cordless drill suitable

- for screwing in and tightening screws,
- for drilling in metal, wood, plastics and similar materials.

Not intended for clamping tools other than drills and drill bits, e.g. compass saws, stirring rods, metal brushes.

Charger MXC suitable

- for charging the listed battery packs.
- only for indoor use.




The user is liable for improper or non-intended use; this also includes continuous industrial operation.

4 Technical data

Cordless drills		TXS
Motor voltage		10,8V
Idle engine speed*	1st gear	0 - 430 rpm
	2nd gear	0 - 1300 rpm
Max. torque		
soft/hard screw joints		10/ 16 Nm
Adjustable torque		0,2 - 2,4 Nm
Chuck clamping range		1 - 10 mm
Drill diameter max.		
Wood/Metal		12/ 8 mm
Tool holder in drill spindle		1/4 "
Weight without battery pack with Centrotec		0,7 kg

* Speed specifications with fully charged battery pack.

 Further technical data on the charger and the supplied battery pack can be found on page 6.


5 Machine features

- [1-1] Drilling symbol
- [1-2] Torque thumbwheel
- [1-3] Torque/drilling position marking
- [1-4] Gear switch
- [1-5] Right/left switch
- [1-6] On/Off switch
- [1-7] Belt clip
- [1-8] Insulated gripping surfaces (grey shaded area)
- [1-9] Button for releasing the battery pack
- [1-10] LED lamp with capacity indicator
- [1-11] Bit store
- [3A] Wall mount for charger

The specified illustrations appear at the beginning of the Operating Instructions.

6 Operation



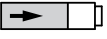
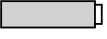


6.1 Changing the battery pack [2]

 Battery pack is ready for use immediately upon delivery and can be charged at any time.


① Side of the belt clip [2-1] can be replaced when battery pack is removed.

6.2 Charging the battery pack [3]

The LED [3-1] on the charger indicates the respective operating status of the charger.

-  **LED yellow - lit continuously**
Charger is ready to use.
-  **LED green - flashing quickly**
Battery pack is charged to maximum capacity.
-  **LED green - flashing slowly**
Battery pack is charged to 80% and with reduced current.
-  **LED green - lit continuously**
Battery pack is charged.
-  **LED red - flashing**
General fault indicator, e.g. incomplete contact, short circuit, defective battery pack, etc.
-  **LED red - lit continuously**
Battery temperature is outside permissible limit values (0 °C to 55 °C).

7 Settings

 **CAUTION**

Risk of injury

▶ Always switch off the power tool before adjusting settings!

7.1 Changing direction of rotation [1-5]

- Switch to the left = clockwise rotation
- Switch to the right = counterclockwise rotation

7.2 Changing gear [1-4]

- Gear switch forwards (digit 1 visible) = 1st gear
- Gear switch to rear (digit 2 visible) = 2nd gear

7.3 Adjust torque [1-2]

The marking [1-3] shows the selected position.

Drilling

Marking shows the drill symbol [1-1] = Maximum torque.


Fastening

Torque corresponding to setting:

Position 1 = low torque



Position 12 = high torque

8 Tool holder, attachments

 **WARNING**

Risk of injury

▶ Always disconnect the battery pack before performing any type of work on the machine!

  **CAUTION**

Hot and sharp tools

Risk of injury


▶ Do not use insert tools that are blunt or defective.

▶ Wear protective gloves.

The order numbers of the accessories and tools can be found in the Festool catalogue or on the Internet under "www.festool.com".


8.1 CENTROTEC tool chuck [4]

Quick change of tools with CENTROTEC shaft

 Only clamp CENTROTEC tools in CENTROTEC tool chucks.

8.2 Chuck BF-FX10 [5]

For clamping drill bits and bits with max. shaft diameter of 10 mm.

 Clamp tool centrally in the chuck.

8.3 Angle attachment XS-AS [6]


(accessories) Drilling and screwdriving at right angle to power tool.

① You can engage the angle attachment in 16 different angle settings.

8.4 Tool holder in the drill spindle [7]

Bits can be inserted directly into the hexagon socket holder of the drill spindle.

9 Working with the power tool

 **WARNING**

Risk of injury

▶ Always secure the workpiece in such a manner that it cannot move while being machined.

9.1 On/Off switch [1-6]

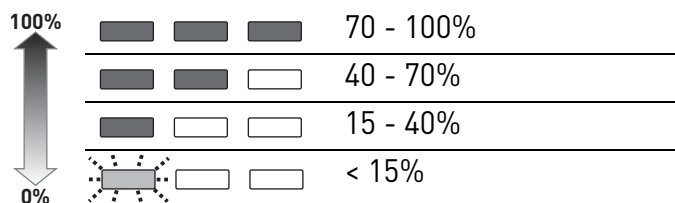
Press = ON, release = OFF

ⓘ The speed of the machine depends on how far the on/off switch is pressed in.

9.2 LED lamp with capacity indicator

The LED bulb [1-10] lights up when the ON/OFF switch is pressed [1-6].

After releasing the ON/OFF switch [1-6] the capacity indicator on the LED lamp [1-10] displays the state of charge of the battery pack for a few seconds:



Recommendation:
Charge battery pack before further use.

9.3 Bit store [1-11]

Magnetic, for storing bits and bit holders.

9.4 Warning signals

Power tool shuts down, capacity indicator flashes: Battery pack is empty.

► Change the battery pack.

Power tool shuts down, capacity indicator does not flash: Power tool is overheating or has been overloaded.

► Apply a lesser load to power tool.

► Allow power tool to cool down.

10 Service and maintenance



Customer service and repair only through manufacturer or service workshops: Please find the nearest address at: www.festool.com/service



Use only original Festool spare parts!
Order No. at: www.festool.com/service

Note the following information:

- Keep the ventilation slits on the machine free and clean to ensure adequate cooling.
- Keep the contacts on the machine, charger and battery pack clean.

Information on battery packs

- Store in a cool, dry place at a temperature between 5 °C and 25 °C.
- Protect battery packs from moisture, water and heat.
- Do not leave flat battery packs in a charger disconnected from the mains power supply for longer than one month. Danger of deep discharge!
- If you intend to store li-ion battery packs for longer periods without use, you should charge them to 40 % capacity (approx. 15 min charging time).
- To avoid short circuits the battery pack should be stored in the packaging supplied.

11 Environment



Do not dispose of the device in household waste! Recycle devices, accessories and packaging. Observe applicable national regulations.

EU only: In accordance with European Directive on waste electrical and electronic equipment and implementation in national law, used electric power tools must be collected separately and handed in for environmentally friendly recycling.

Return used or faulty battery packs to your local specialist retailer, Festool after-sales service or nearest public waste management facility (observe applicable regulations). Batteries must be discharged on return. Battery packs will then be recycled.

EU only: In accordance with the European Directive on batteries and implementation in national law, defective or used battery packs/batteries must be collected separately and handed in for environmentally friendly recycling.

Information on REACH: www.festool.com/reach

12 Transport

The lithium-ion batteries are subject to the requirements of the legislation on hazardous goods. A li-ion battery pack alone falls below the applicable limit value and certified as per UN manual ST/SG/AC.10/11/rev. 3 part III, subsection 38.3. However, dangerous goods regulations may apply when several battery packs are transported. For shipping by third parties (e.g. air transport or freight forwarding company) special requirements with regard to packaging and labelling must be observed. For the preparation of the package an expert on hazardous goods must be consulted. Please observe any further national regulations.

Only return the battery pack if the housing is undamaged. Tape over the exposed contacts and wrap the battery pack so that it cannot move inside the packaging.

13 EU Declaration of Conformity

Cordless drill	Serial no.
TXS	10008076
Year of CE mark: 2014	

We declare under sole responsibility that this product complies with all the relevant requirements in the following directives, standards and normative documents:

2004/108/EC, 2006/95/EC, 2011/65/EU, EN 60745-1, EN 60745-2-1, EN 60745-2-2, EN 55014-1, EN 55014-2.

Charger	Serial no.
MXC	495883

Charger	Serial no.
---------	------------

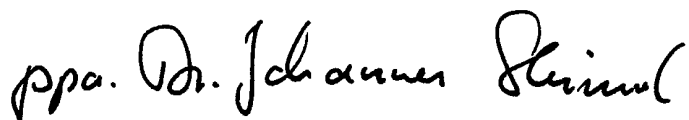
Year of CE mark: 2010

We declare under sole responsibility that this product complies with all the relevant requirements in the following directives, standards and normative documents:

2004/108/EC, 2006/95/EC, 2011/65/EU, EN 60335-1, EN 60335-2-29, EN 61000-3-2, EN 61000-3-3, EN 55014-1, EN 55014-2.

Festool GmbH

Wertstr. 20, D-73240 Wendlingen, Germany



Dr. Johannes Steimel

Head of Research, Development and Technical Documentation

2014-03-28