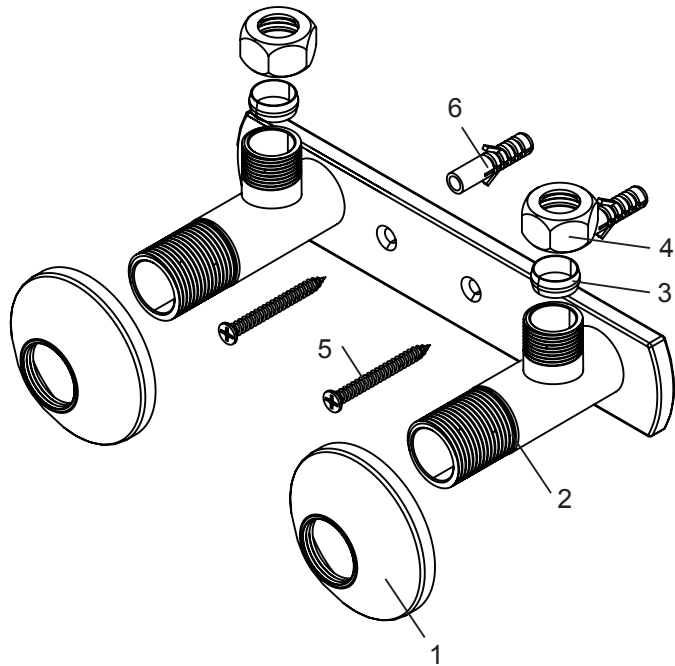




# Fitting Instructions

## Bar Valve Fixing Kit



### PARTS SUPPLIED

ITEM	DESCRIPTION	QTY
1	Flange	2
2	Elbow with Mounting Plate	1
3	Copper Rings	2
4	Fixing Nut	2
5	Wall Screws	2
6	Wall Plug	2

### BEFORE YOU START

This product must be connected to water supply in accordance with the Water Supply (Water Fittings) Regulations 1999, and also to comply with UK Building Regulations. If you are in any doubt about these requirements, contact a qualified plumber, your local Water Company or the Water Regulations Advisory Service (WRAS).

- Identify all components and check pack contents.
- TURN OFF WATER MAINS SUPPLY. The mains stopcock is usually situated where the supply enters the building.
- It is also recommended that the water heating arrangements are turned off.
- Isolate the hot and cold water supply.

### TECHNICAL DATA

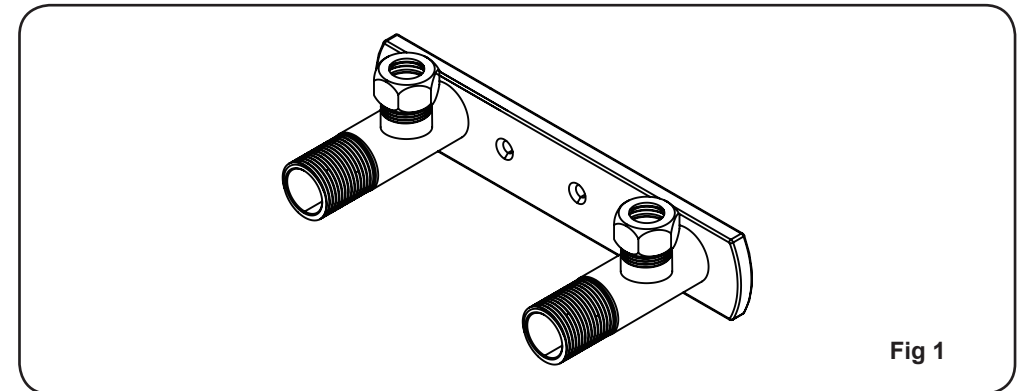


Fig 1

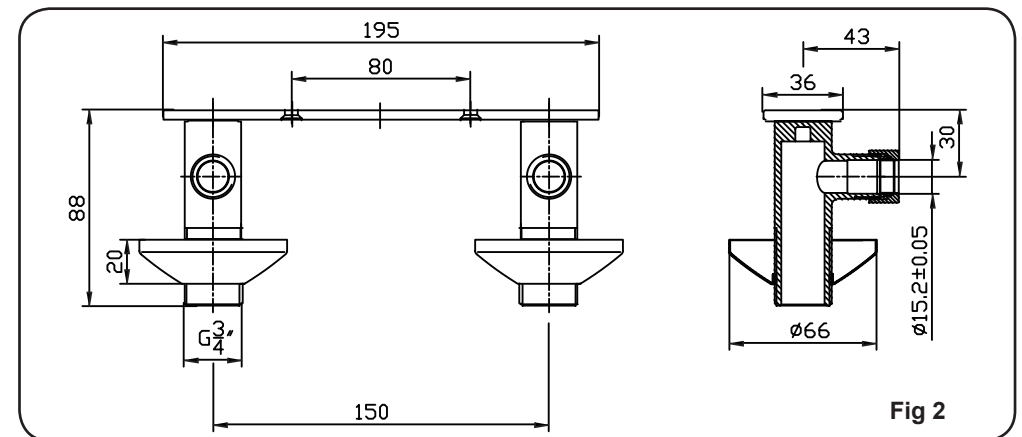


Fig 2

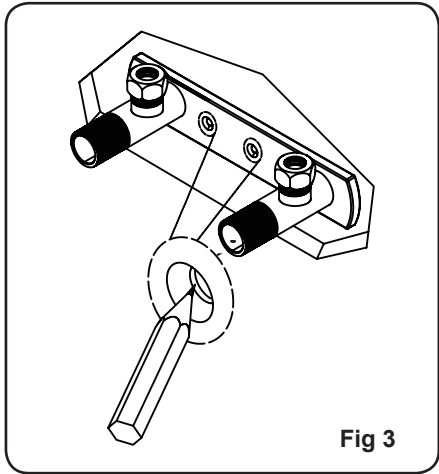


Fig 3

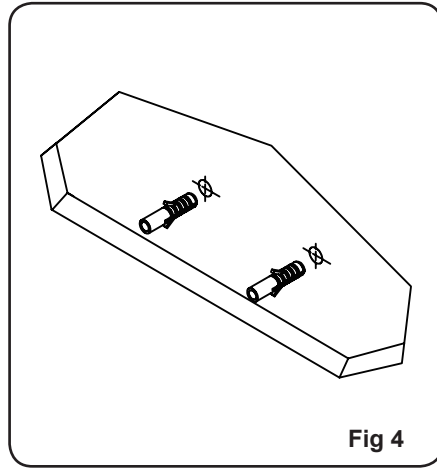


Fig 4

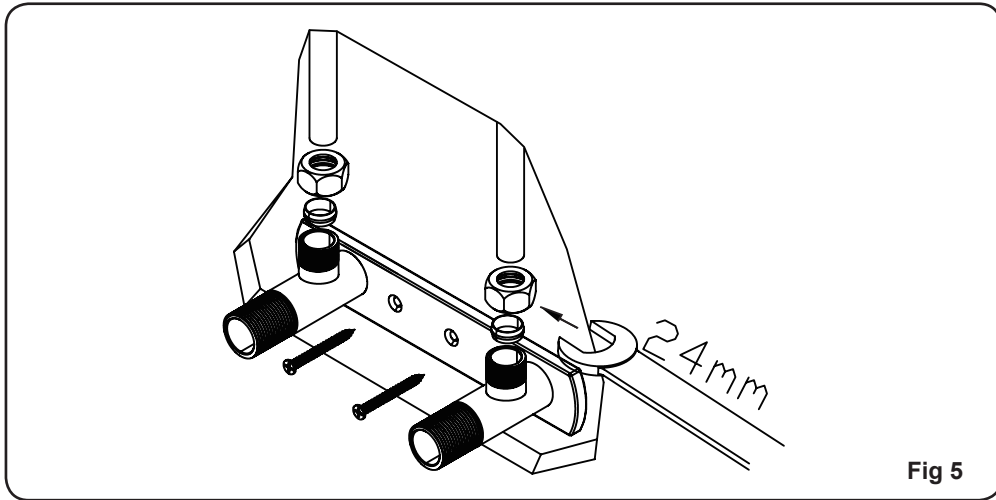


Fig 5

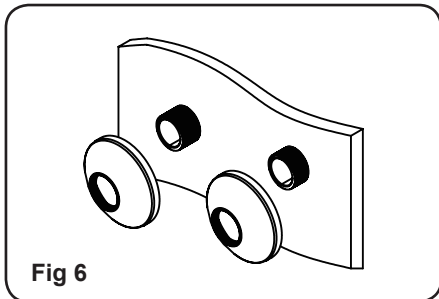


Fig 6

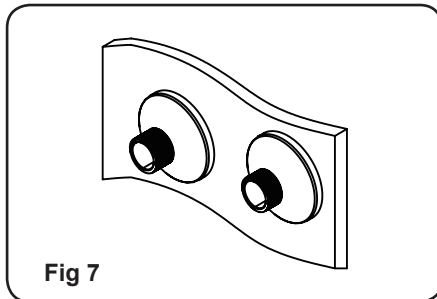


Fig 7

## INSTALLATION

1. Flush pipe work prior to installation to remove debris from the system.
2. Turn off water supply following system flushing.
3. Identify all components and check pack contents.
4. Prepare the recess in the wall for the Elbow with Mounting Plate(6) and pipework. See Fig 2. (See dimension drawing for depth of cavity).
5. Arrange the pipework so that the hot water is connected from the left and the cold water is connected from the right, ensure sufficient pipe length, so that the pipe end insert into the elbow a minimum of 10mm. See Fig 3.
6. Connect the elbows loosely to the pipework, do not tighten.
7. Hold the Elbow with Mounting Plate(2) into the position of cavity and mark the screw holes, remove the Elbow with Mounting Plate(2), drill the holes and insert wall Plugs(6). See Fig 3 & Fig 4.

**Please note:** when installing into a stud partition or other hollow wall structure, the installer may need to build rear supports or other options for fitting the Mounting Plate. Such options are beyond the scope of this guide.

8. Connect the Elbow with Mounting Plate(2) to the pipework using, but do not tighten. See Fig 5.
9. Screw Wall Screw(5) through mounting plate to the position until secure. See Fig 5.
10. Tighten Fixing Nut (4) to the pipework until watertight. See Fig 5.
11. Cover recess hole so it is flush with the wall surface (access may be needed for future use). Screw the Flange (1) to the inlet of the Elbow with Mounting Plate(2), hand tight do not over tighten. See Fig 6 & Fig 7.
12. Align the inlet of the Elbow with Mounting Plate(2) with Valve Body inlets From the front. Screw the nut of the Valve Body to the inlet of the Elbow with Mounting Plate(2), ensuring that the Sealing Washer is fitted into the Valve Body nut.
13. Turn on the mains water supply and check for leaks.

## AFTER CARE

To maintain the appearance of this fitting, ensure it is cleaned only using a clean soft damp cloth.

A solution of warm water and mild liquid detergent may be used where necessary and then rinsed thoroughly. Abrasive cleaners or acidic cleaners **MUST NOT BE USED** under any circumstances. Avoid contact with solvents.