

# VG182-4

4 Heavy duty aluminium roof bars - Vauxhall Vivaro / Nissan Primastar / Renault Trafic

SUPPLIED COMPONENTS		#	DESCRIPTION	QTY
	1	MIDDLE BRACKET	6	
	2	FRONT OFFSIDE BRACKET	1	
	3	FRONT NEARSIDE BRACKET	1	
	4	TOP HAT	8	
	5	TOP HAT COVER	8	
	6	ROOF BAR	4	
	7	FRONT / SHORT SIDE CHANNEL	2	
	8	REAR / LONG SIDE CHANNEL	2	
SUPPLIED FIXING KIT		#	DESCRIPTION	QTY
	1	M6x10 HEX BOLT	14	
	2	M6 SERRATED FLANGE NUT	26	
	3	M6x16 COACH BOLT	26	
	4	M6 SHAKEPROOF	14	

TOOLS REQUIRED: 10mm SPANNER / RATCHET

This FITTING INSTRUCTION is the property of VAN GUARD ACCESSORIES LTD. and must not be used for manufacturing purposes, copied nor communicated in any way to third parties without written permission from VAN GUARD ACCESSORIES LTD.

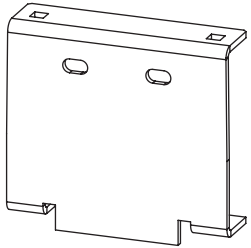
IN8041\_A - IW - 03/05/2013

Van Guard Accessories Ltd  
 Fair Oak Close, Exeter Airport Business Park,  
 Exeter, Devon, EX5 2UL

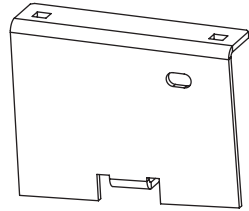
[www.van-guard.co.uk](http://www.van-guard.co.uk)

**1** The front roof bracket is handed to suit both sides of the vehicle. The brackets need to be positioned on the vehicle as shown below with the top hat flange facing inwards.

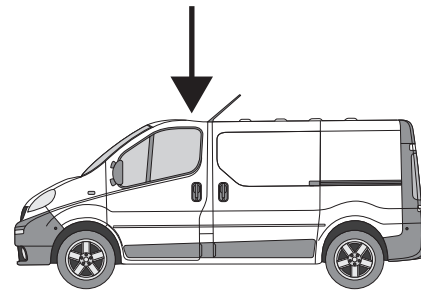
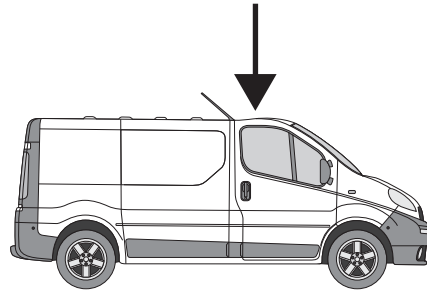
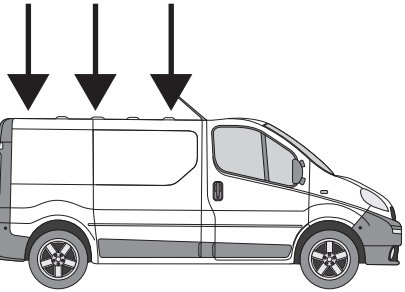
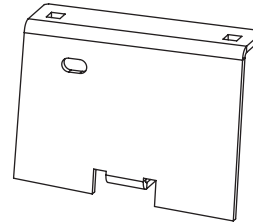
REAR / MIDDLE



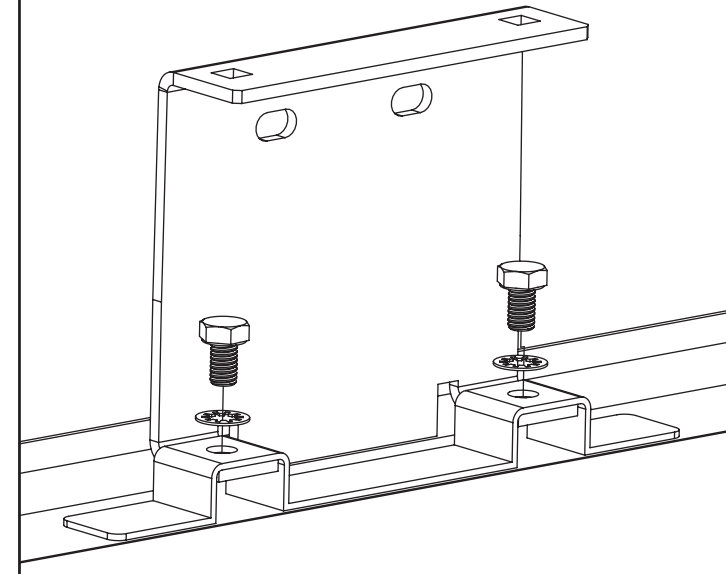
FRONT (HANCED) - ILLUSTRATION SHOWS OFFSIDE



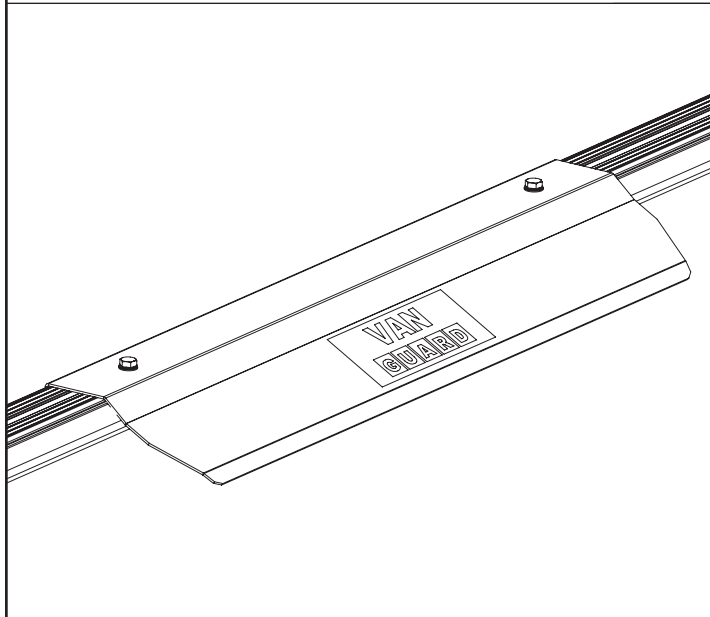
FRONT (HANCED) - ILLUSTRATION SHOWS NEAR SIDE



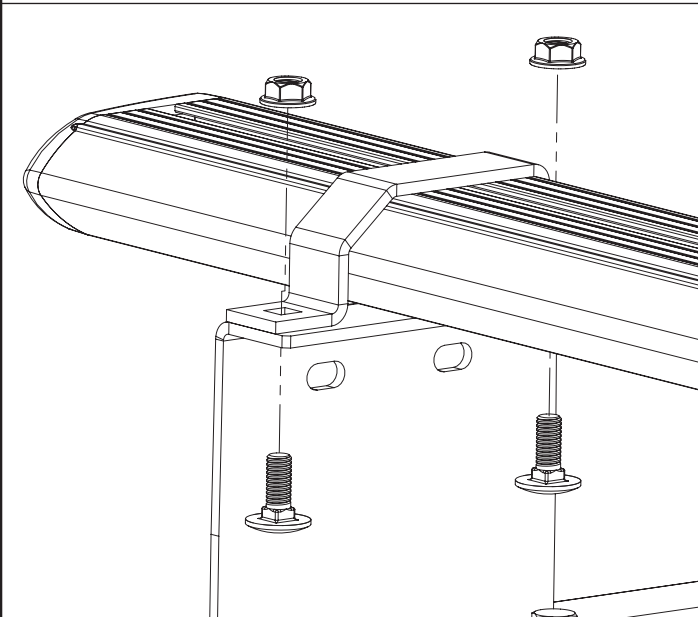
**2** Secure roof brackets to the vehicles fixing points using M6x10 hex bolts & M6 shakeproofs. Ensure that the top hat flange is facing inwards.



**3** Secure the wind deflector to a roof bar as per the separate fitting instructions supplied with the wind deflector. This now becomes the front roof bar.

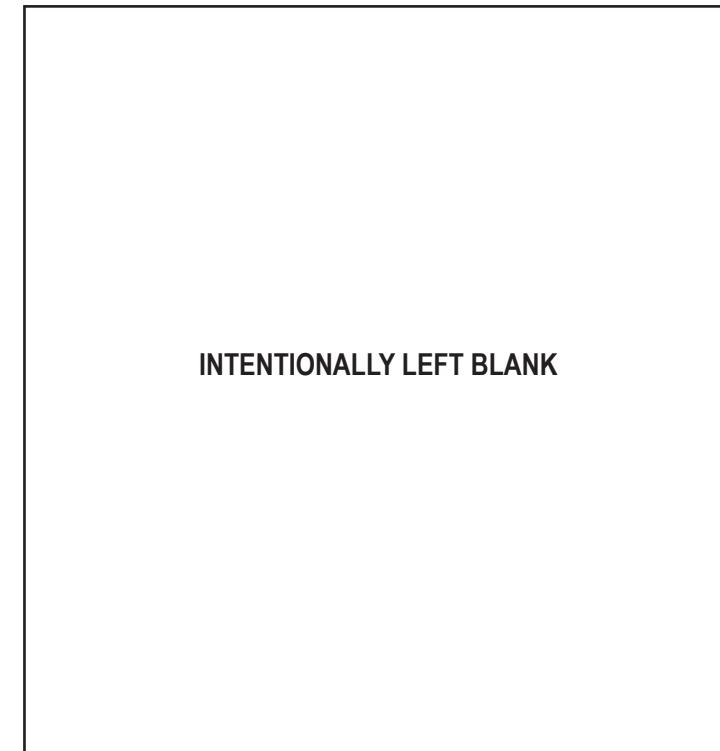
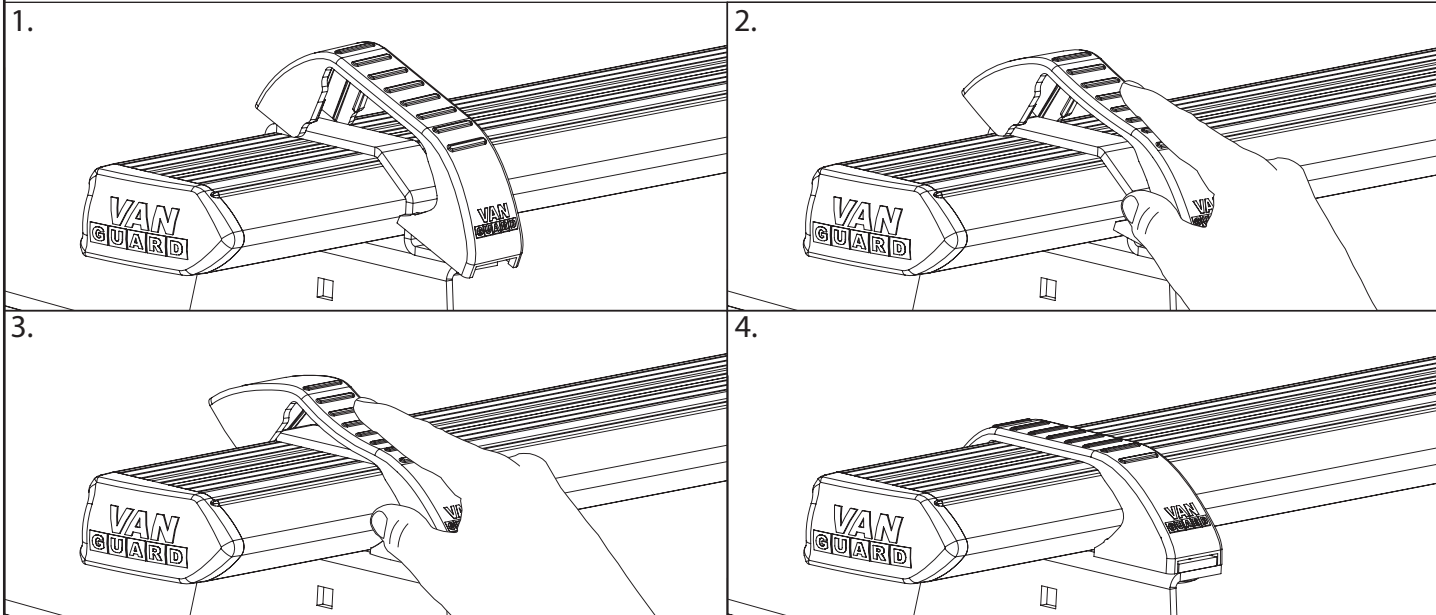


**4** Place roof bars onto the roof brackets with the t-slot facing upwards, secure using top hat brackets, M6x16 coach bolts & M6 serrated nuts.



5

Flex the top hat covers over the top hat brackets into position as shown below. Ensure that the covers click into the front and rear of the top hat brackets.

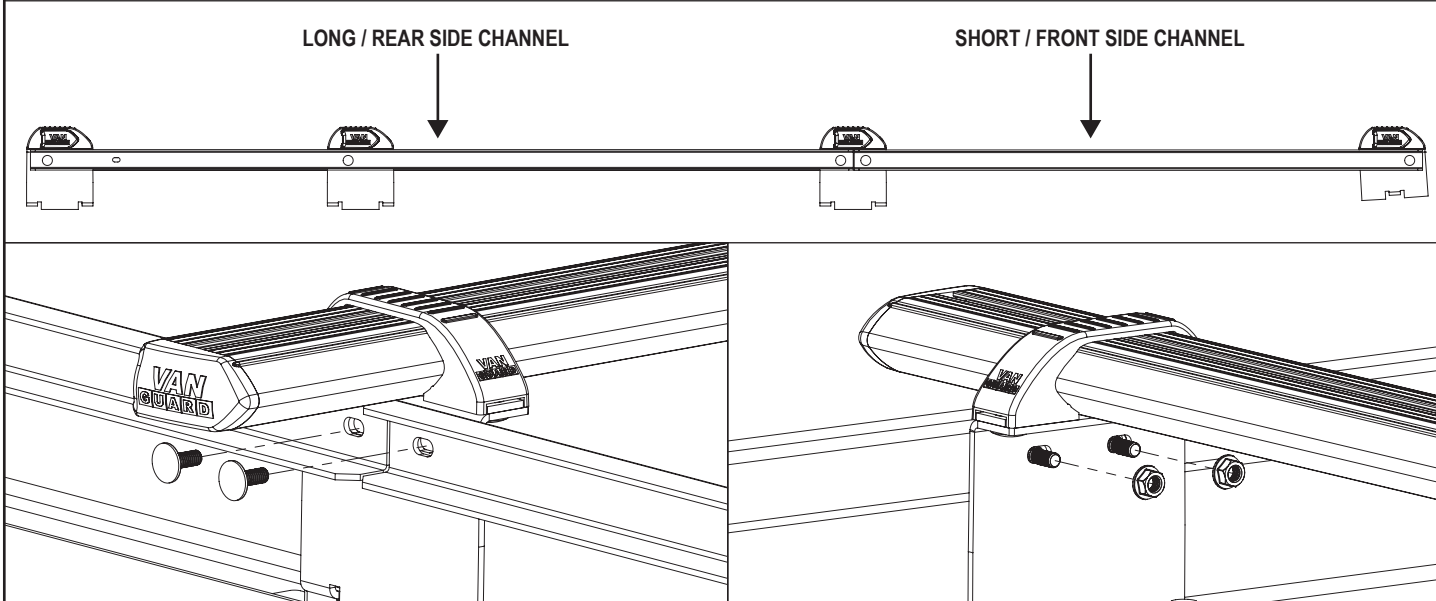


INTENTIONALLY LEFT BLANK

6

Secure the side channels to the roof brackets using M6x16 coach bolts & M6 serrated nuts. Start at the front bracket using the shorter of the channels and then attach the longer channel to the rear.

**Note - if fitting a rear roller the last channel hole is used to fix the roller and side channels to the rear bracket.**



7

Once in position tighten all fixings to 8Nm. Periodically check all fixings.



**TIGHTEN TO 8Nm**

**NOTES:**

Maximum load is 55kg per bar. Please check that the vehicle manufacturers load bearing capacity for the roof is not exceeded. (Refer to the vehicle handbook)  
Periodically check all fixings.  
Retain these instructions for future reference.