

VG309-3SWB

3 Heavy duty aluminium roof bars - Ford Transit Connect SWB 2014 onwards

SUPPLIED COMPONENTS		#	DESCRIPTION	QTY			
					1	REAR ROOF BRACKET	2
					2	MIDDLE ROOF BRACKET	2
					3	FRONT ROOF BRACKET	2
					4	TOP HAT	6
					5	TOP HAT COVER	6
					6	ROOF BAR	3
					7	H90 RUBBER PAD	6
					8	OFFSIDE FRONT FIXING TOOL	1
					9	NEARSIDE FRONT FIXING TOOL	1

SUPPLIED FIXING KIT		#	DESCRIPTION	QTY					
							1	M6x30 HEX BOLT	6
							2	M6 SERRATED FLANGE NUT	16
							3	M6x16 COACH BOLT	12
							4	RUBBER WASHER	6
							5	M6x20 WASHER	6
							6	M6x25 WASHER	4
							7	M6 SHAKEPROOF	2

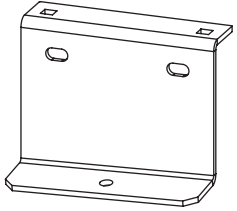
TOOLS REQUIRED: 10mm SPANNER / RATCHET (X2)

This FITTING INSTRUCTION is the property of VAN GUARD ACCESSORIES LTD. and must not be used for manufacturing purposes, copied nor communicated in any way to third parties without written permission from VAN GUARD ACCESSORIES LTD.
IN8113_A - IW - 07/01/2014

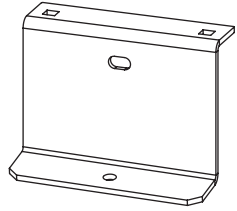
Van Guard Accessories Ltd
Fair Oak Close, Exeter Airport Business Park,
Exeter, Devon, EX5 2UL
www.van-guard.co.uk

1 The roof brackets are handed to suit both sides of the vehicle and are angled to suit the slope of the roof. The brackets need to be positioned on the vehicle as shown below with the top hat flange facing inwards.

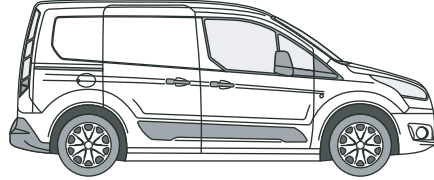
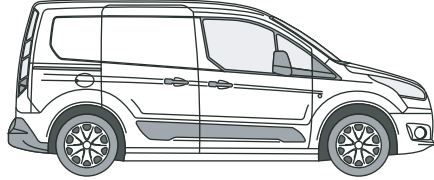
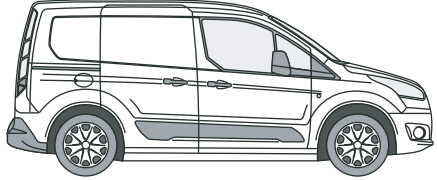
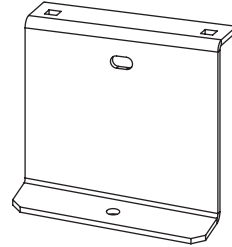
REAR (HANDED) - ILLUSTRATION SHOWS OFFSIDE



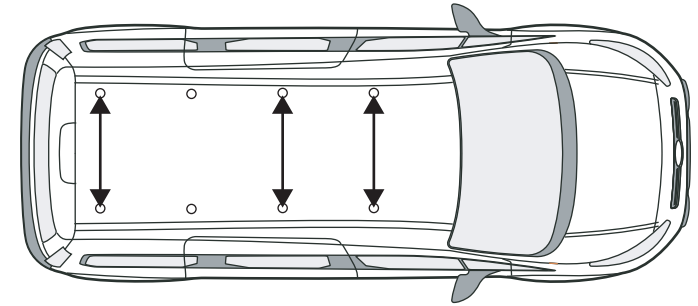
MIDDLE (HANDED) - ILLUSTRATION SHOWS OFFSIDE



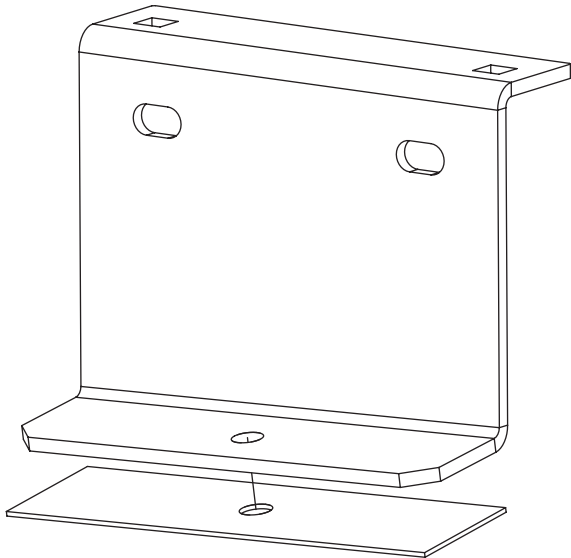
FRONT (HANDED) - ILLUSTRATION SHOWS OFFSIDE



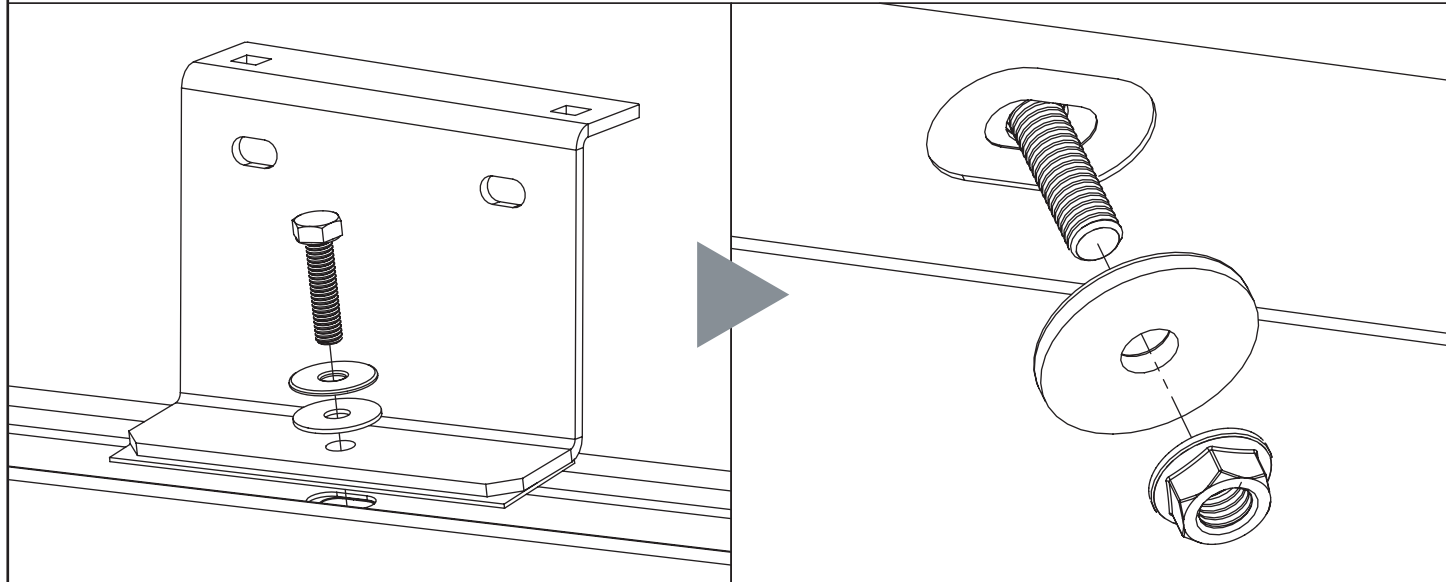
2 Remove roof plugs to reveal the vehicles fixing points.



3 Stick rubber pads to the underside of all roof brackets.

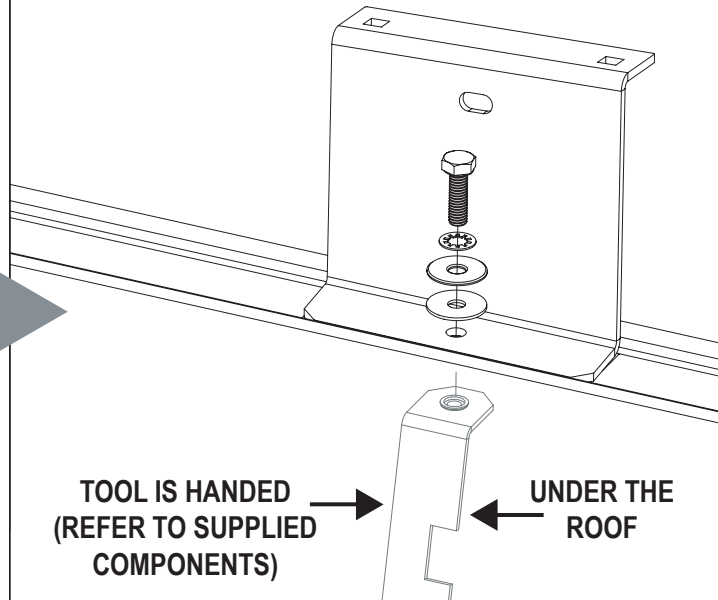


4 Secure the rear and middle roof brackets by bolting through the vehicles fixing points using M6x30 hex bolts, M6x20 washers & rubber washers. Secure under the roof using M6x25 washers & M6 serrated nuts. Ensure that the top hat flange is facing inwards.



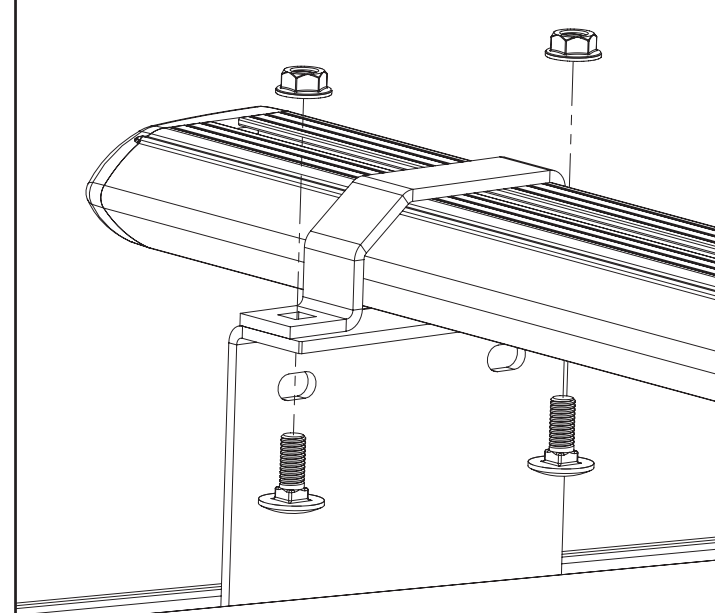
5

Secure the front roof brackets by **carefully** loosening the edge of the roof liner enough to hold the front fixing point tool up to the fixing point. Once in position bolt down through the fixing point, into the bush using M6x30 hex bolts, M6 shakeproofs, M6x20 washers, & rubber washers. Ensure that the top hat flange is facing inwards.



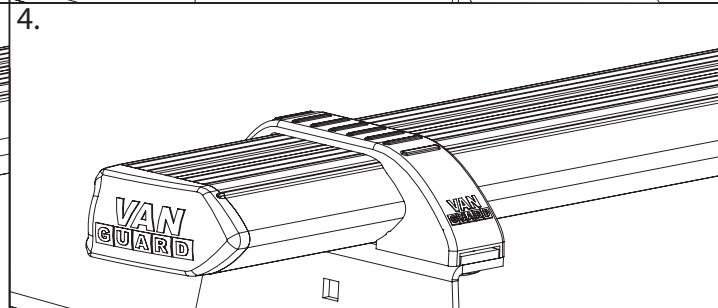
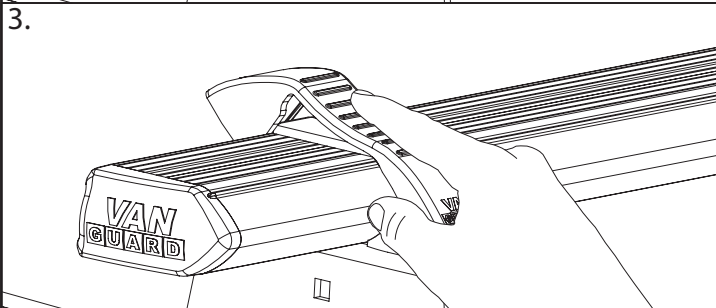
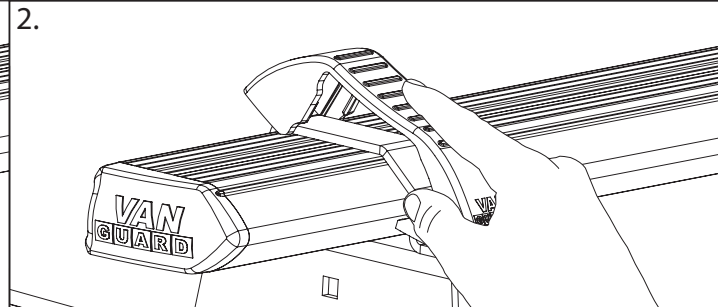
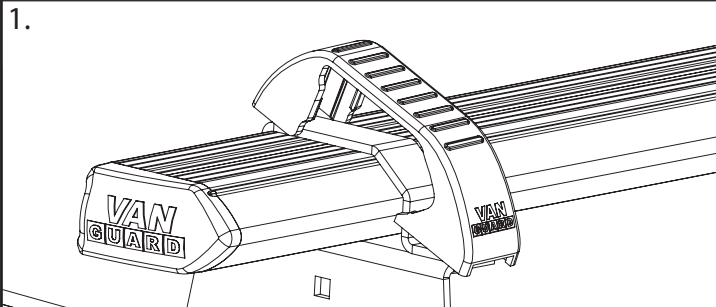
6

Place roof bars onto the roof brackets with the t-slot facing upwards, secure using top hat brackets, M6x16 coach bolts & M6 serrated nuts.



7

Flex the top hat covers over the top hat brackets into position as shown below. Ensure that the covers click into the front and rear of the top hat brackets.



8

Once in position tighten all fixings to 8Nm. Periodically check all fixings.



TIGHTEN TO 8Nm

NOTES:

Maximum load is 55kg per bar. Please check that the vehicle manufacturers load bearing capacity for the roof is not exceeded. (Refer to the vehicle handbook)

Periodically check all fixings.

Retain these instructions for future reference.