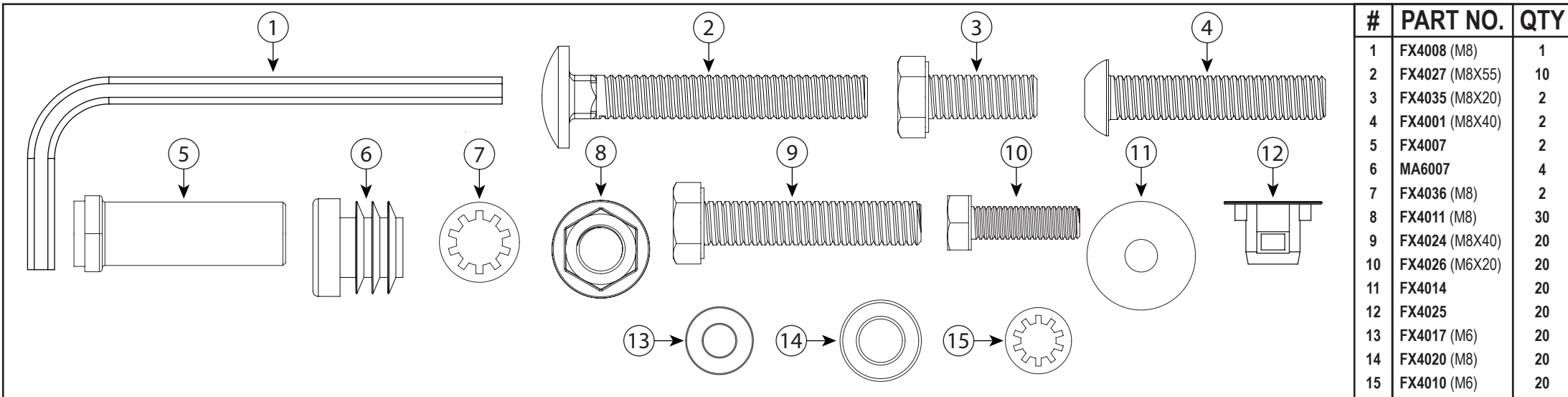
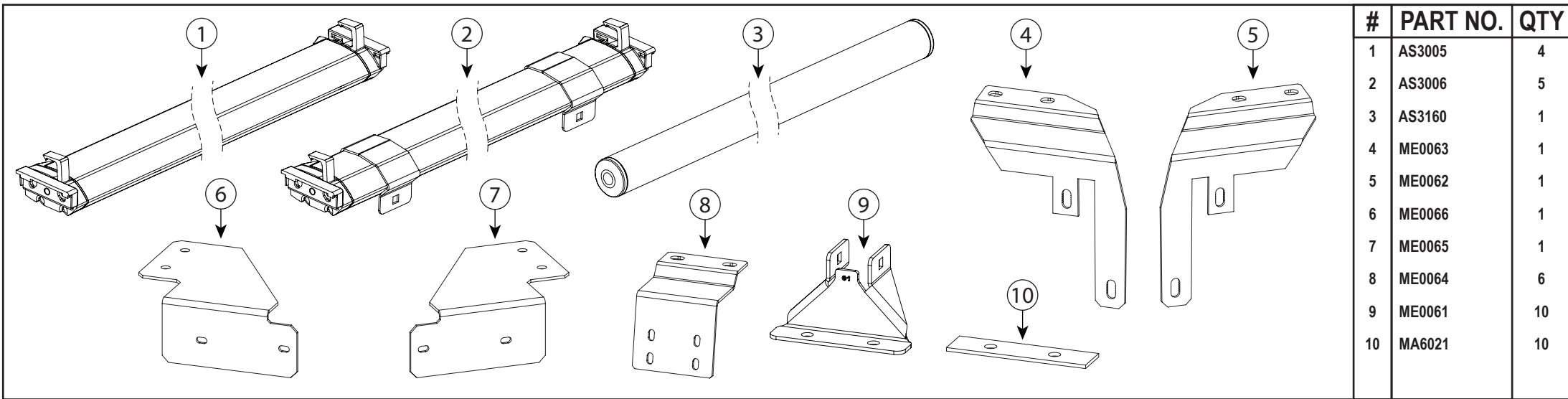


IN8140

ULTI Rack



This FITTING INSTRUCTION is the property of VAN GUARD ACCESSORIES LTD. and must not be used for manufacturing purposes, copied nor communicated in any way to third parties without written permission from VAN GUARD ACCESSORIES LTD.
IN8140_A - IW - 15/07/2016

Van Guard Accessories Ltd
Fair Oak Close, Exeter Airport Business Park,
Exeter, Devon, EX5 2JL
www.van-guard.co.uk

VGUR-045

Vehicle:

Renault Master: 2010 on

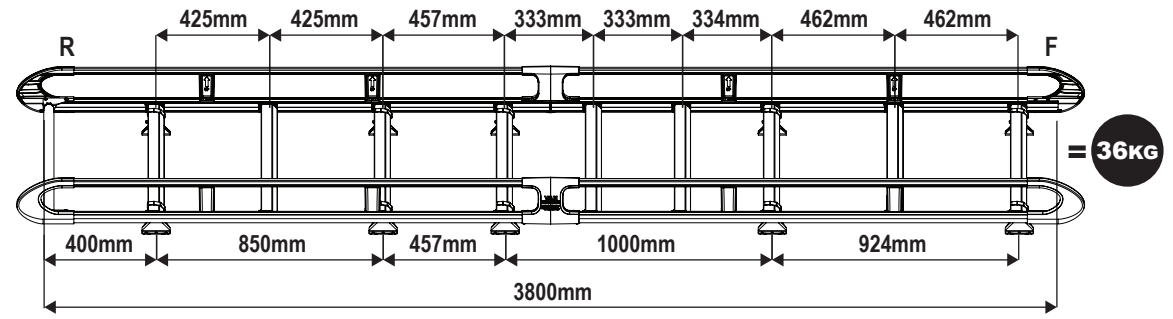
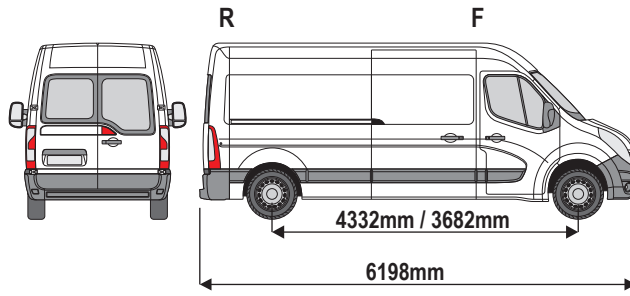
Nissan NV400: 2010 on

Vauxhall Movano: 2010 on

Wheel Base: LWB (L3)

Roof Height: Medium (H2)

Rear Doors: Twin

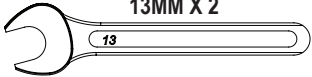


TOOLS REQUIRED

10MM X 1



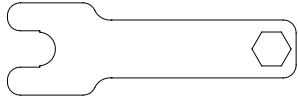
13MM X 2



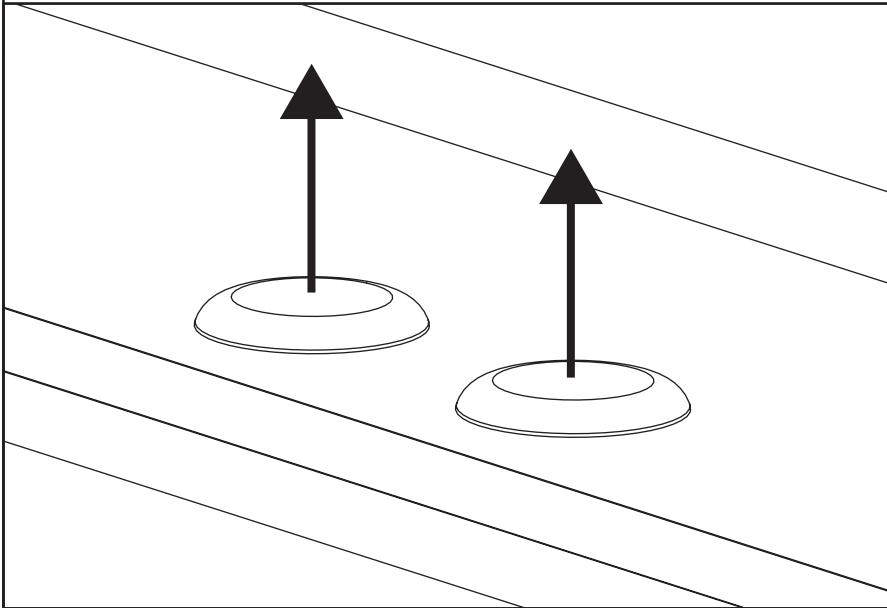
FX4008 (M8) X1
(SUPPLIED IN FIXING KIT)



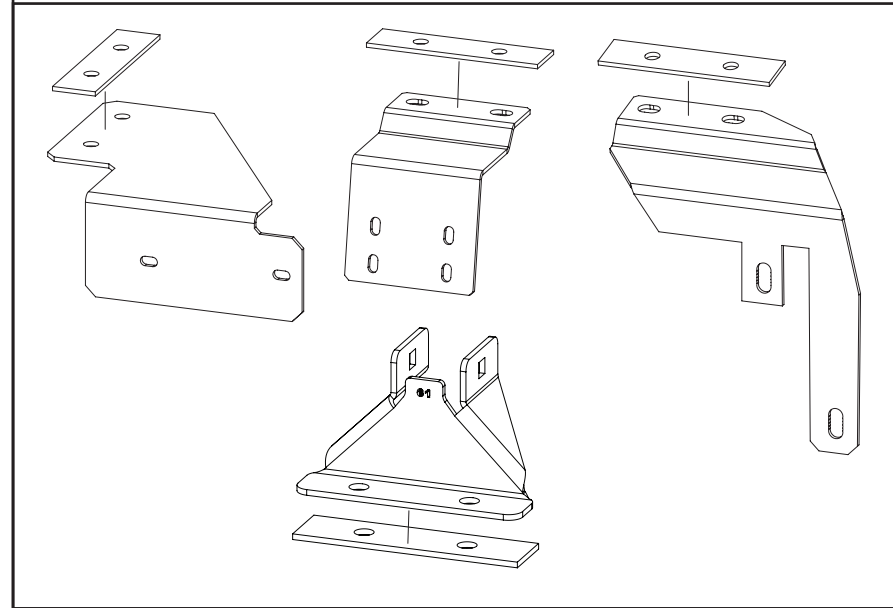
ME0182 X1
(SUPPLIED IN FIXING KIT)



1 Remove roof plugs to reveal the vehicles fixing points.



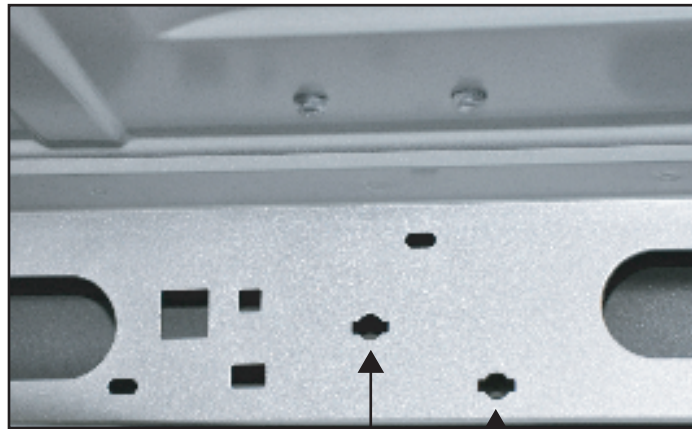
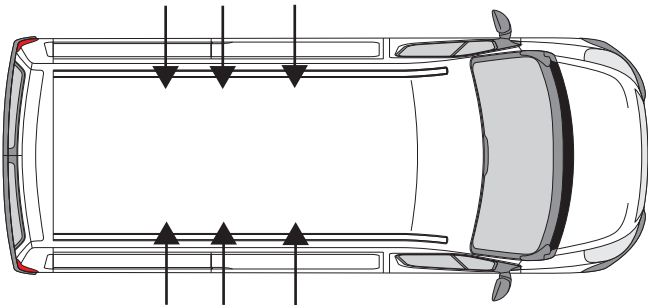
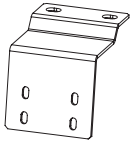
2 Stick rubber pads to all brackets.



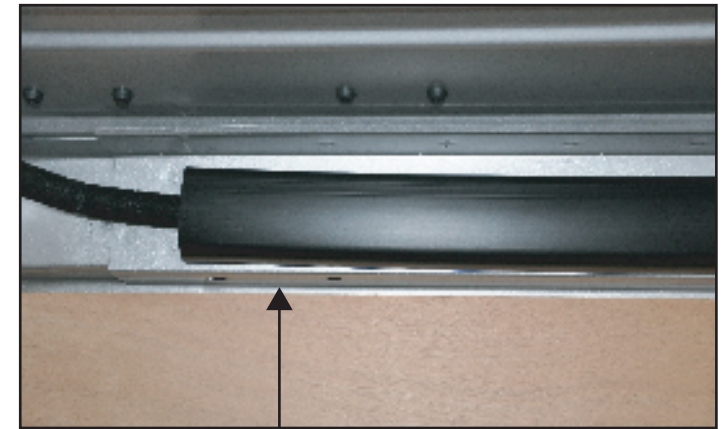
3 Loosely secure the middle inner fixing brackets to the inside of the vehicle by inserting the M6 1/4 turn nut inserts (FX4025) into the positions shown below. Then place the middle inner bracket in position and loosely bolt into the M6 1/4 turn inserts using M6x20 hex bolts, M6 shakeproof washers and M6 washers.

Please note the cable trim may have to be removed. This trim can be refitted after the inner bracket has been secured.

ME0064



M6 1/4 TURN INSERT
LOCATIONS

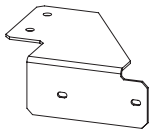


TRIM MAY NEED REMOVING &
RE-FITTING AFTERWARDS

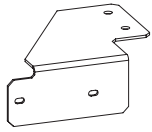
4

Loosely secure the rear inner fixing brackets to the inside of the vehicle by inserting the M6 1/4 turn nut inserts (FX4025) into the positions shown below. Then place the rear inner bracket in position and loosely bolt into the M6 1/4 turn inserts using M6x20 hex bolts, M6 shakeproof washers and M6 washers.

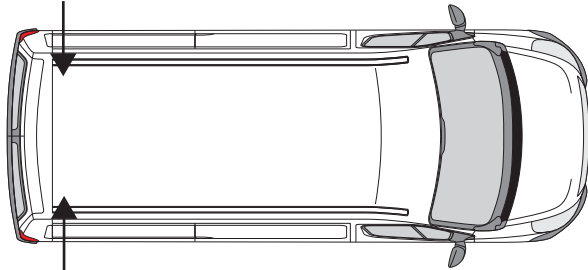
ME0066



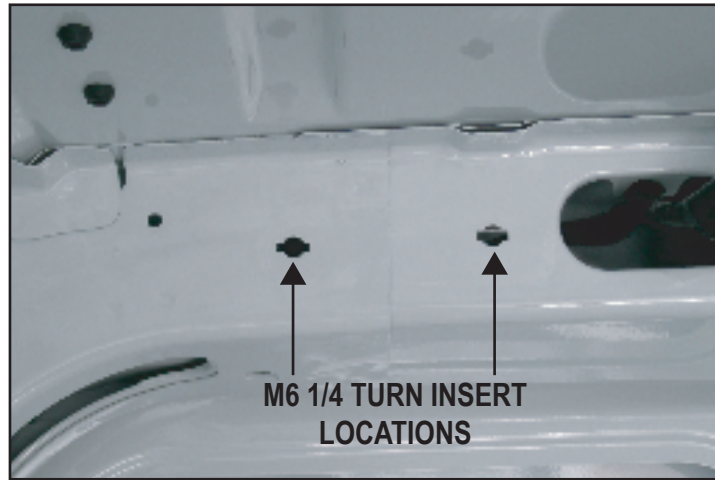
ME0065



ME0066



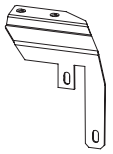
ME0065

**5**

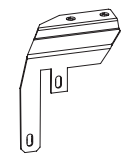
Loosely secure the front inner fixing brackets to the inside of the vehicle. Where a sliding door is present remove the 2X star drive screws, place front inner bracket in position and refit star drive screws as shown in fig.1. (Do not remove door rail bracket)

Where a sliding door is not present insert the M6 1/4 turn nut inserts (FX4025) into the positions shown in fig.2. Then place the front inner bracket in position and loosely bolt into the M6 1/4 turn nut inserts using M6x20 hex bolts, M6 shakeproof washers and M6 washers.

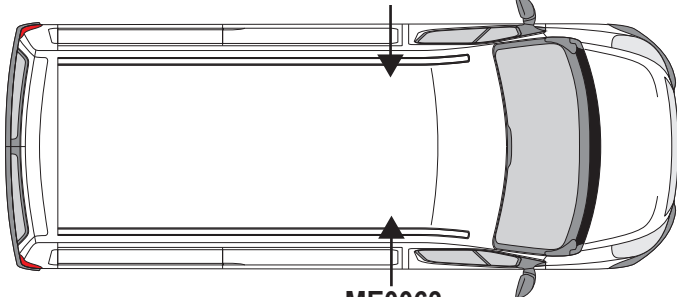
ME0063



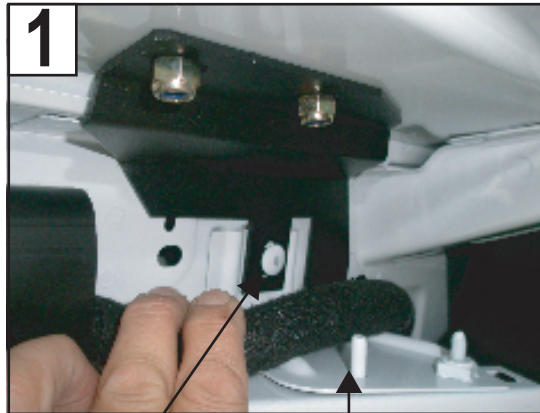
ME0062



ME0062



ME0063

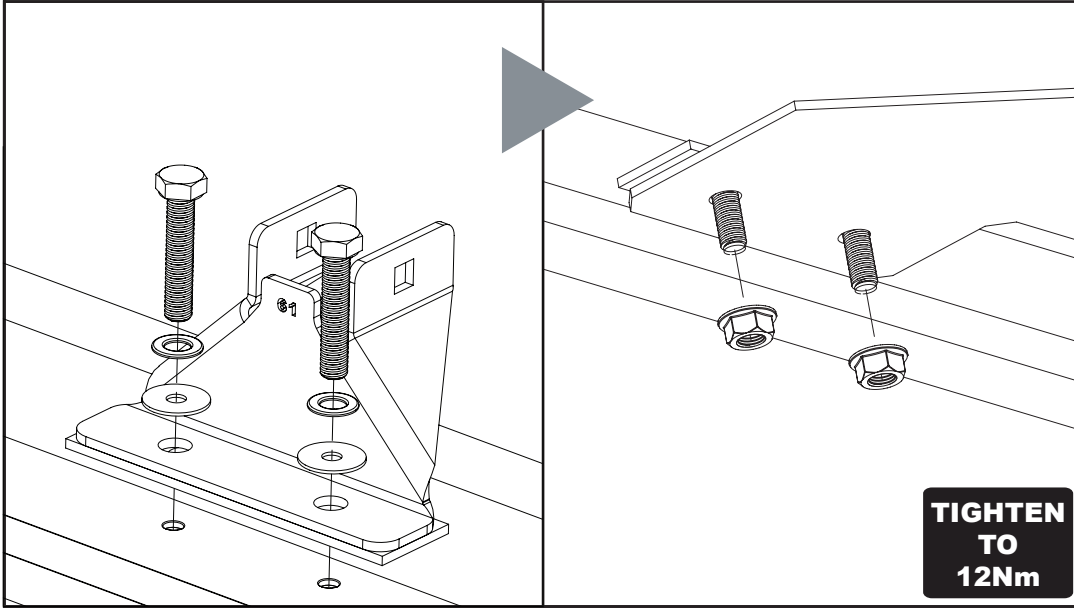


STAR DRIVE FIXING (X2)

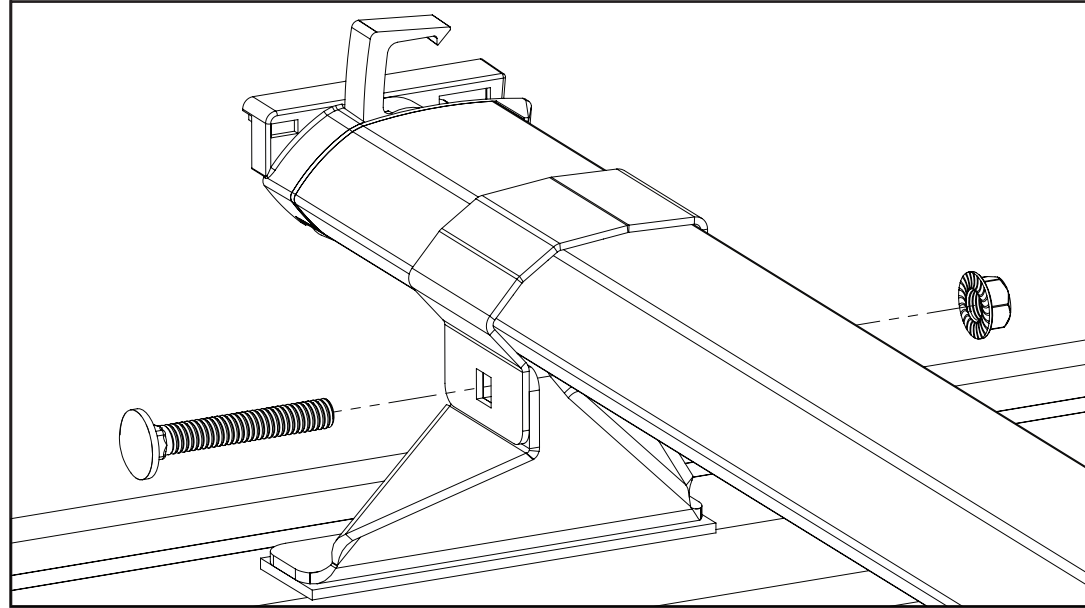
DOOR RAIL BRACKET

M6 1/4 TURN INSERT
LOCATIONS

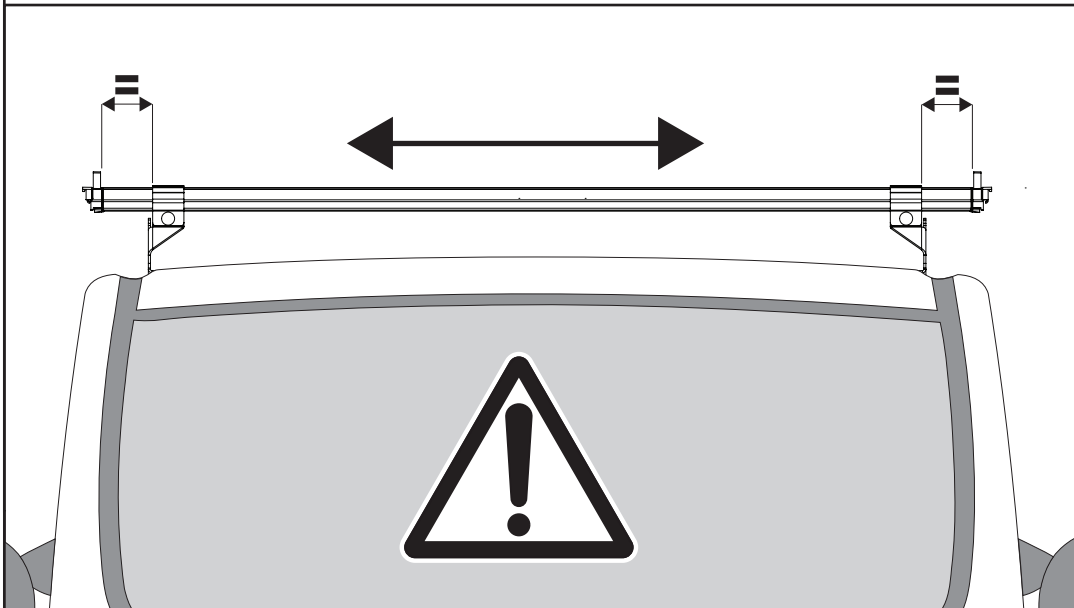
6 Secure the roof brackets by bolting down through the fixing points and through the inner fixing brackets using M8x40 hex bolts, M8 washers and rubber washers, secure under the roof using M8 flange nuts.



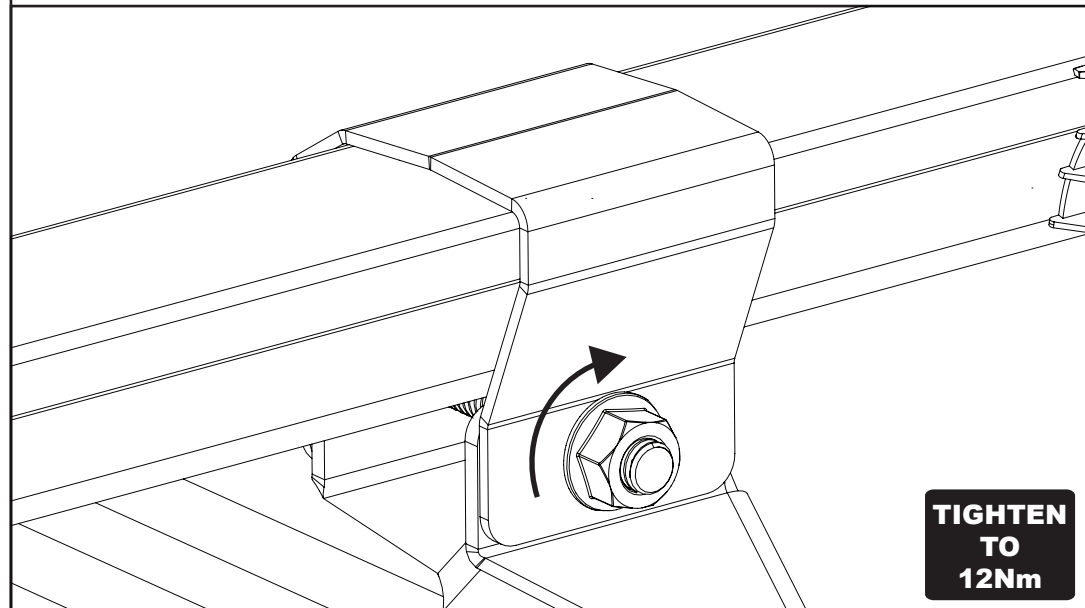
7 Loosely secure roof bars to the roof brackets using M8x55 coach bolts and M8 flange nuts.

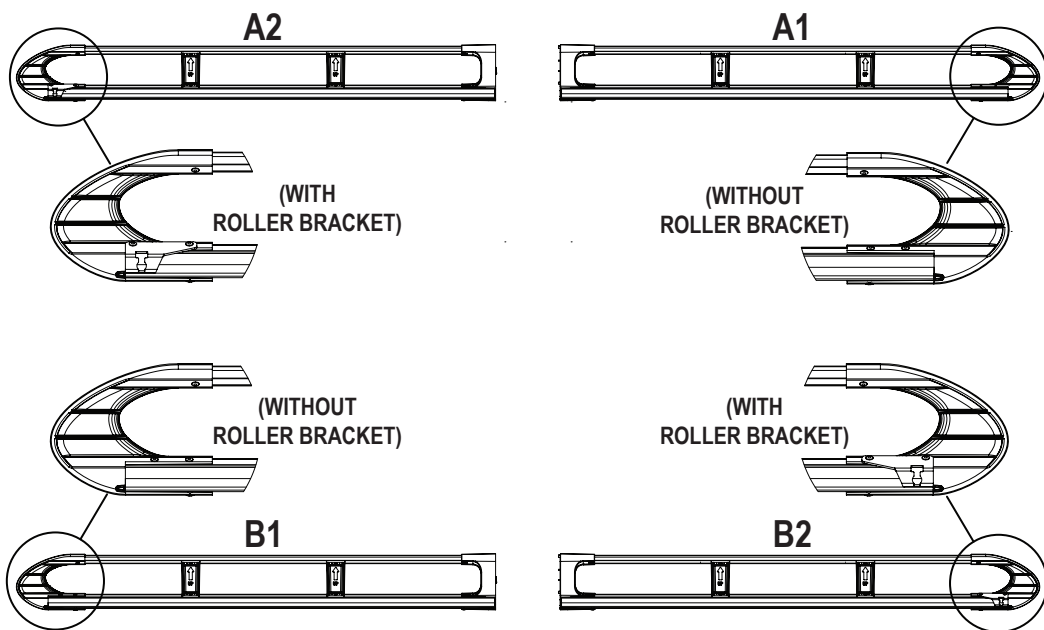


8 Adjust the roof bars to ensure that they're evenly spaced on the vehicle.

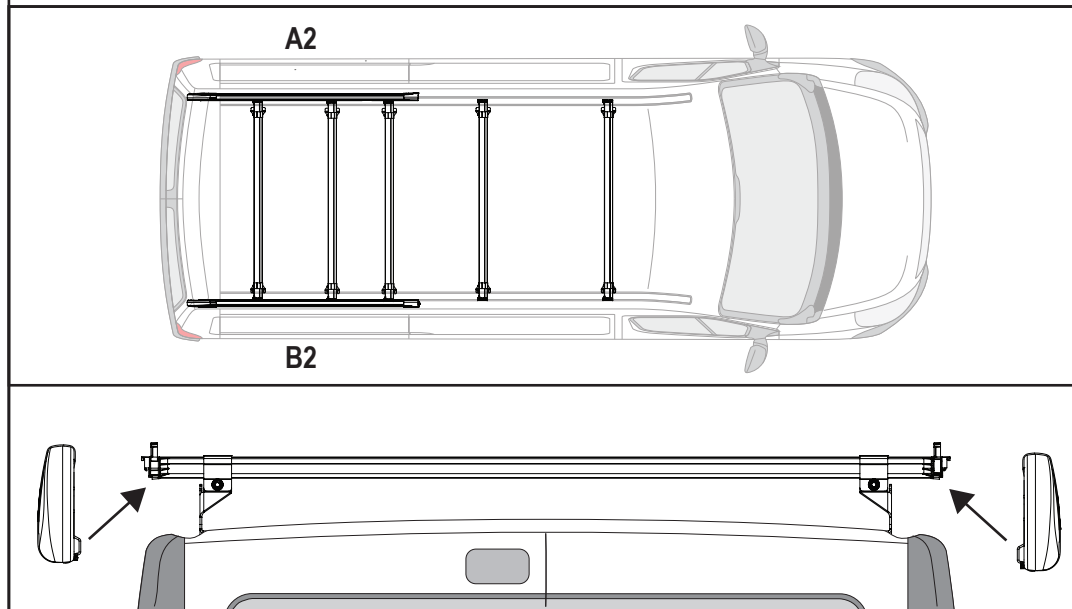
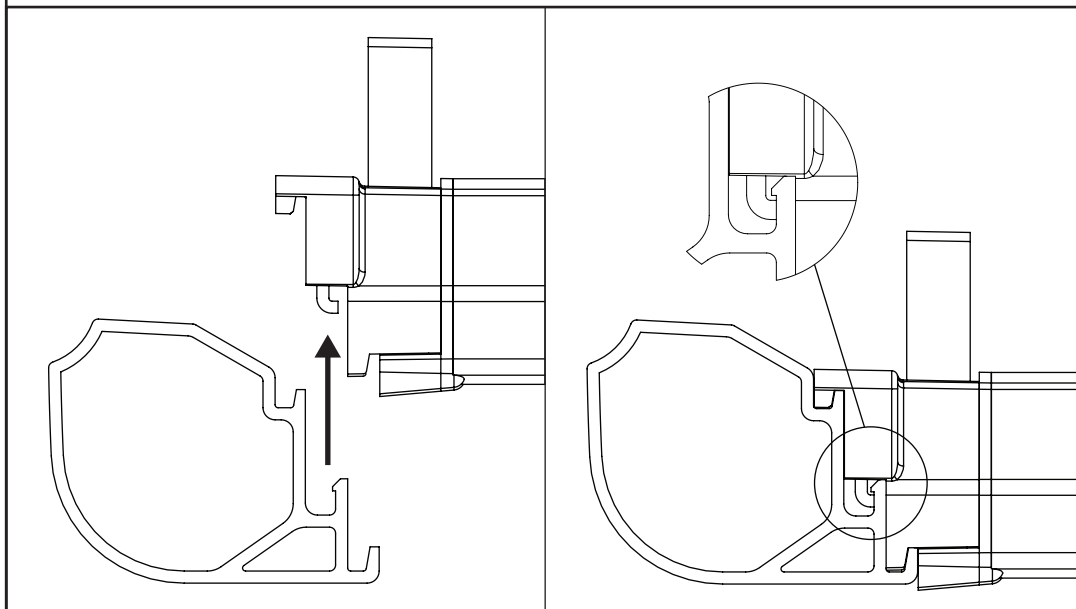


9 Tighten the M8 flange nuts.

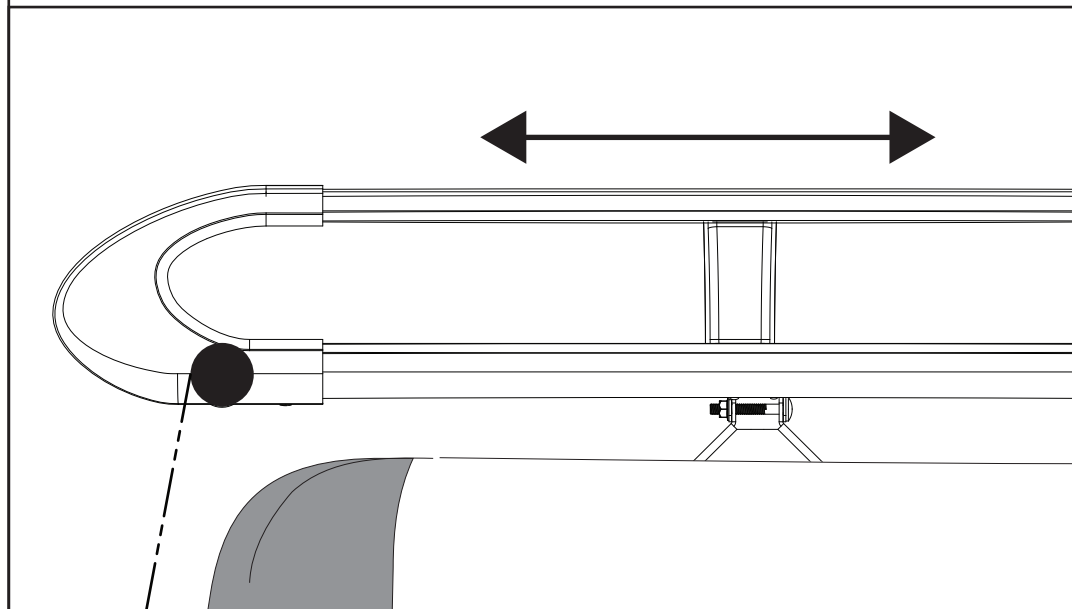


10.1**10.2**

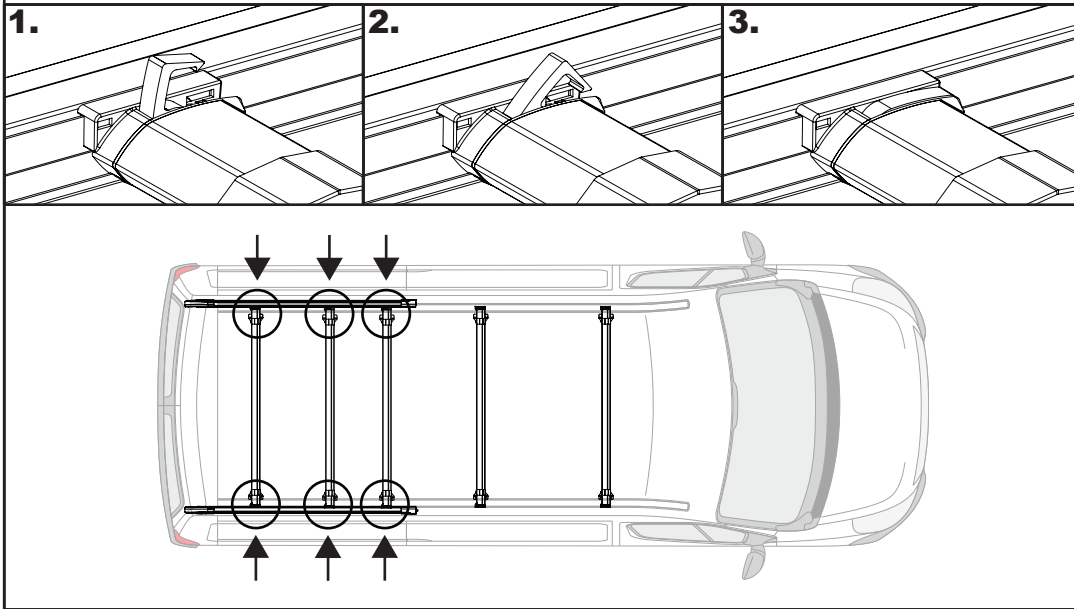
Lift the rear side rail sections into position (A2 & B2). Ensure that the side rails are connected to the roof bars correctly as per step 10.3.

**10.3****11**

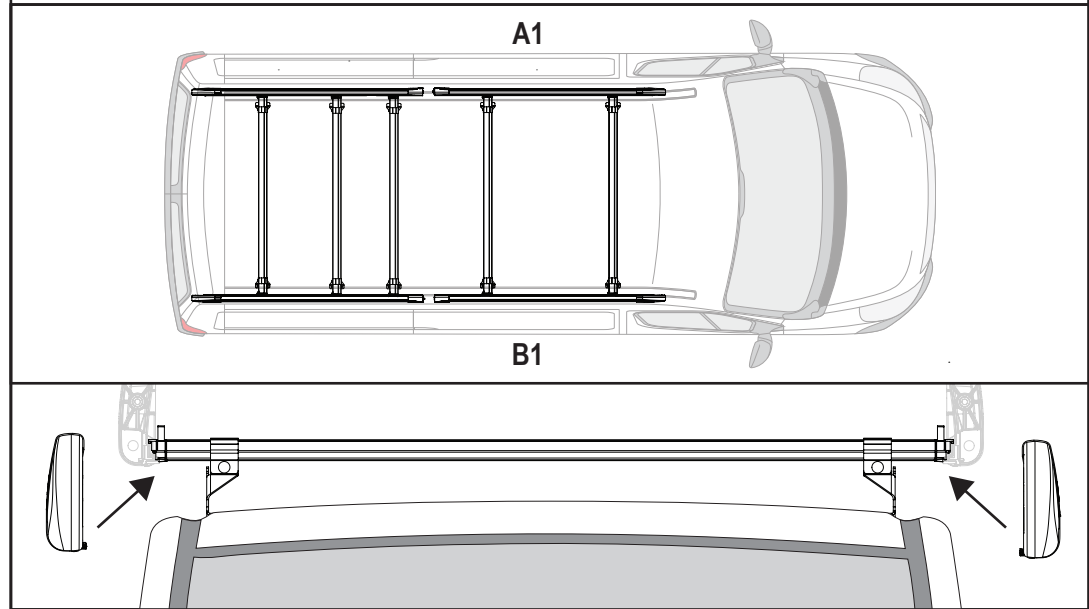
Adjust the position of the rear side rails to suit the rear roller.



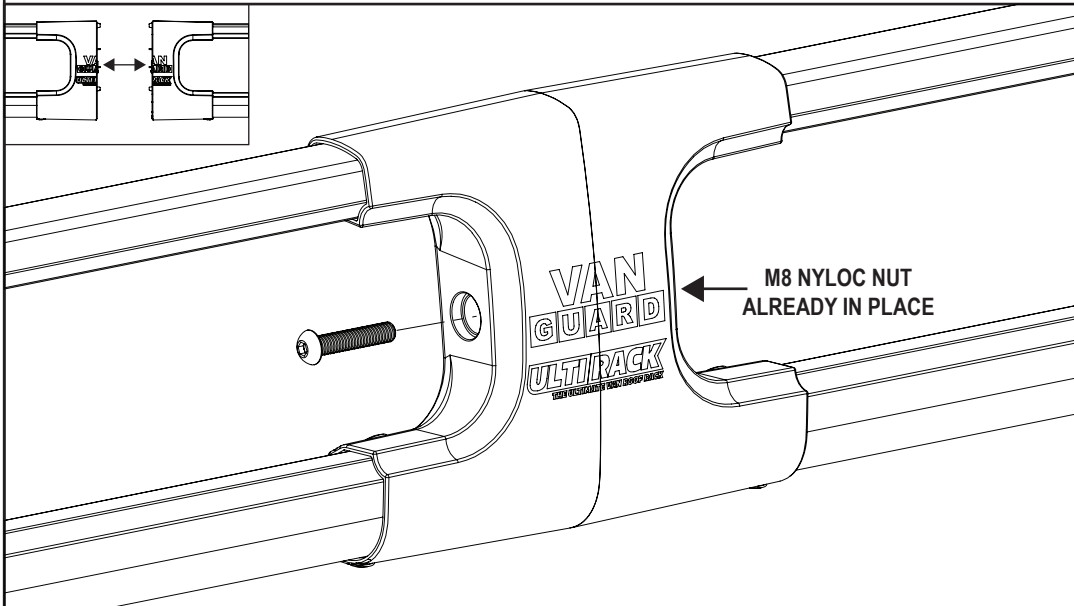
12 Push on the lever to secure the 3X rear fixed roof bars into position.



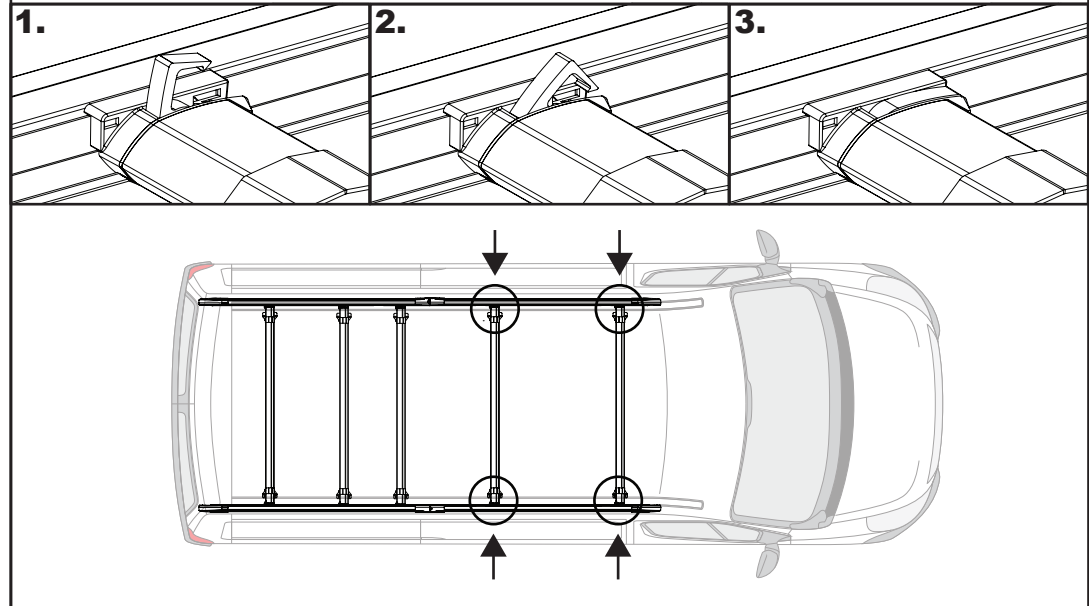
13 Lift the front side rail sections into position (A1 & B1). Ensure that the side rails are connected to the roof bars correctly as per step 10.3.



14 Slide the front side rail up to the rear side rail and secure together using 1X M8x40 button bolt. Tighten using the supplied tool (FX4008). Repeat for the other side.

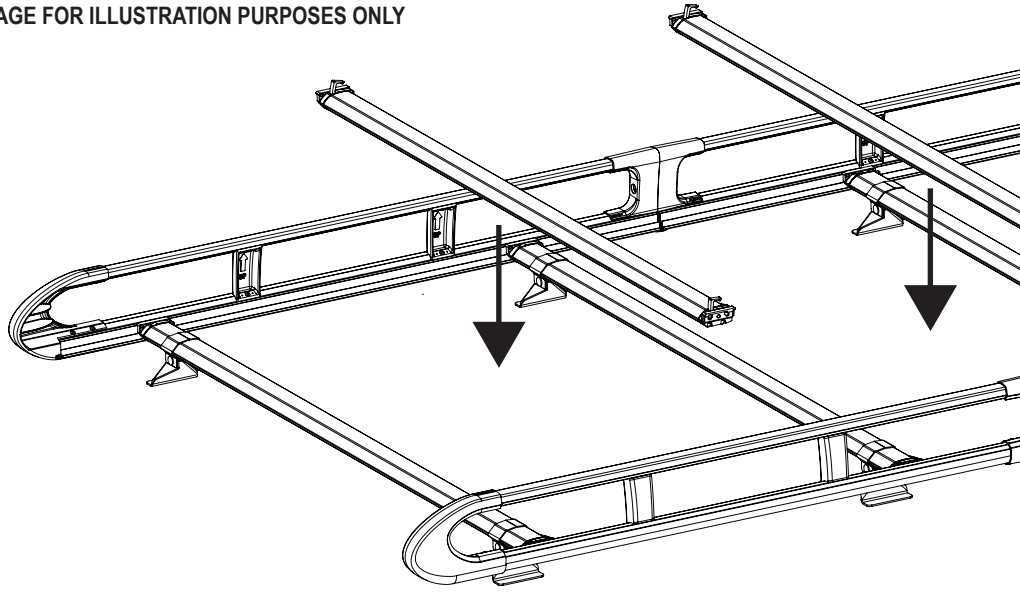


15 Push on the lever to secure the 2X front fixed roof bars into position.

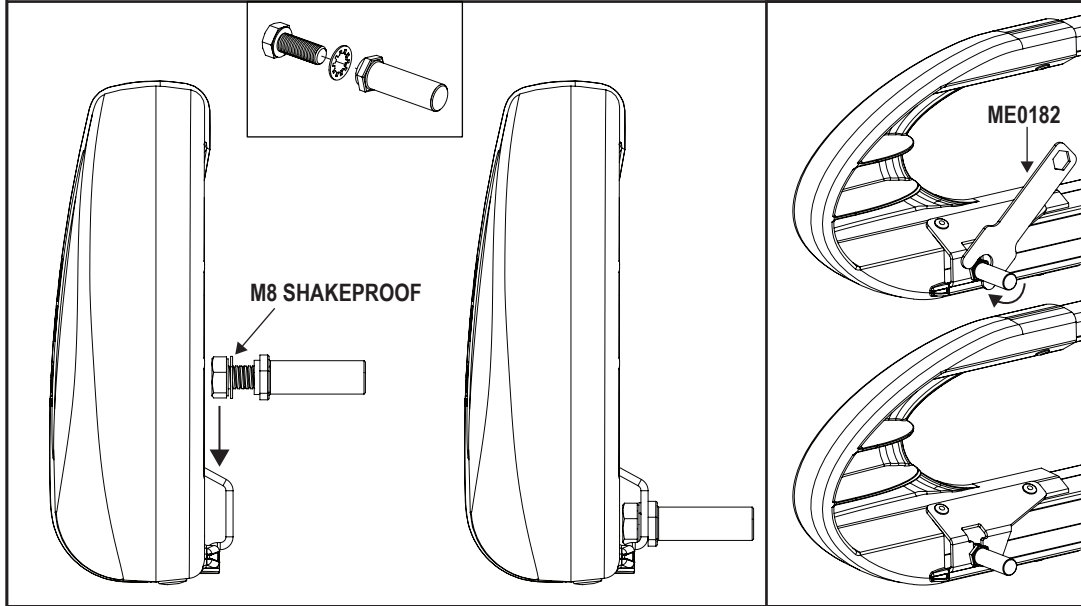


16 Place the remaining roof bars into position. See page 2 for the recommended distances between the roof bars. Once in position push on the lever to secure in place.

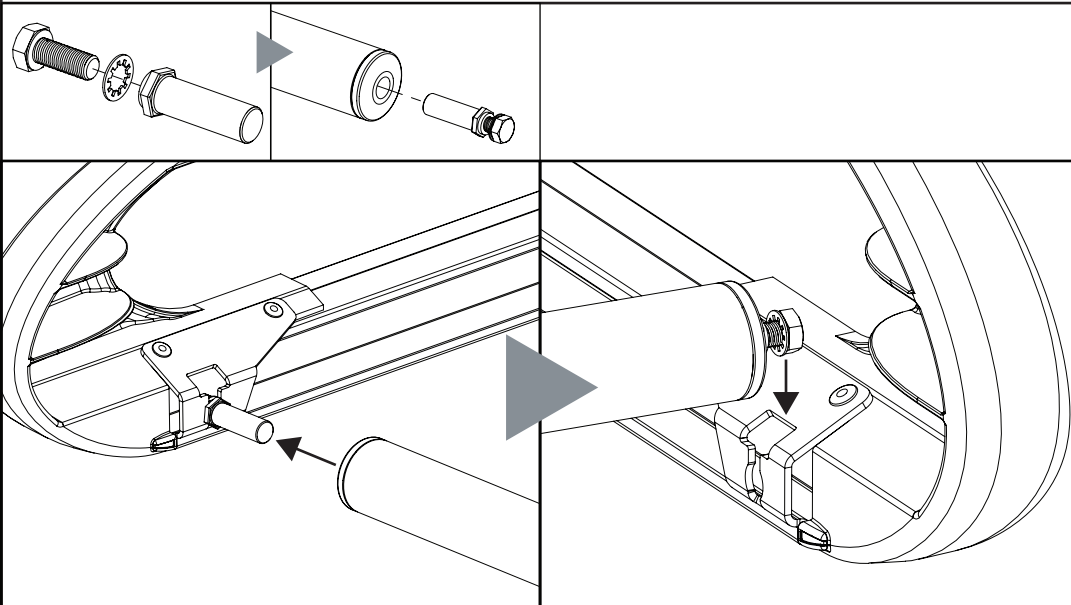
*IMAGE FOR ILLUSTRATION PURPOSES ONLY



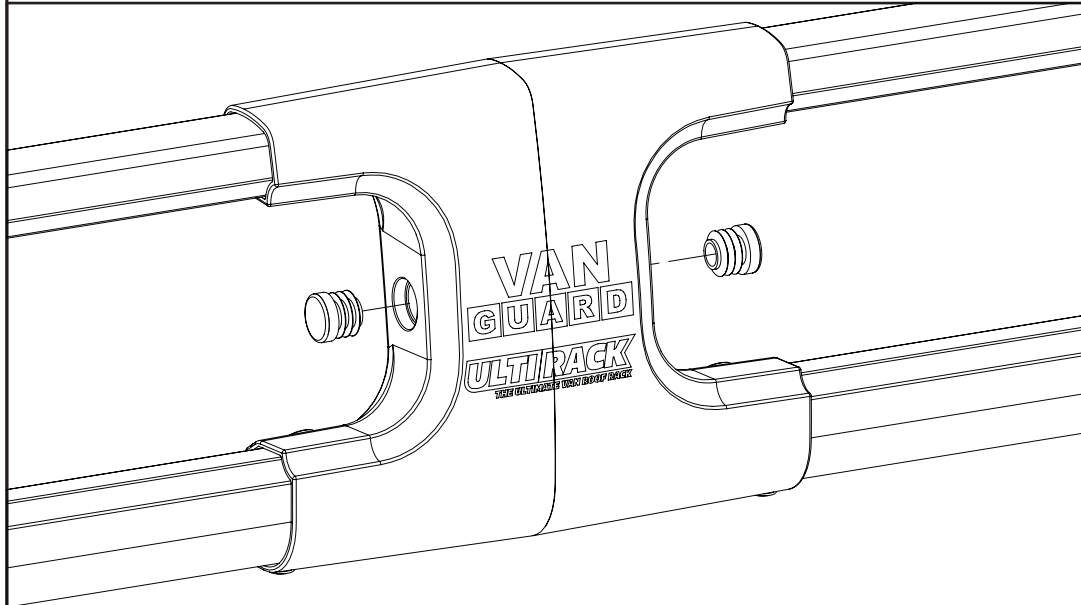
17 Secure the roller spigot to the **left hand roller bracket only** using a M8x20 hex bolt and a M8 shakeproof washer. Ensure that the shakeproof is on the inside of the roller bracket and that the spigot sits flush / straight. Tighten using the supplied tool.



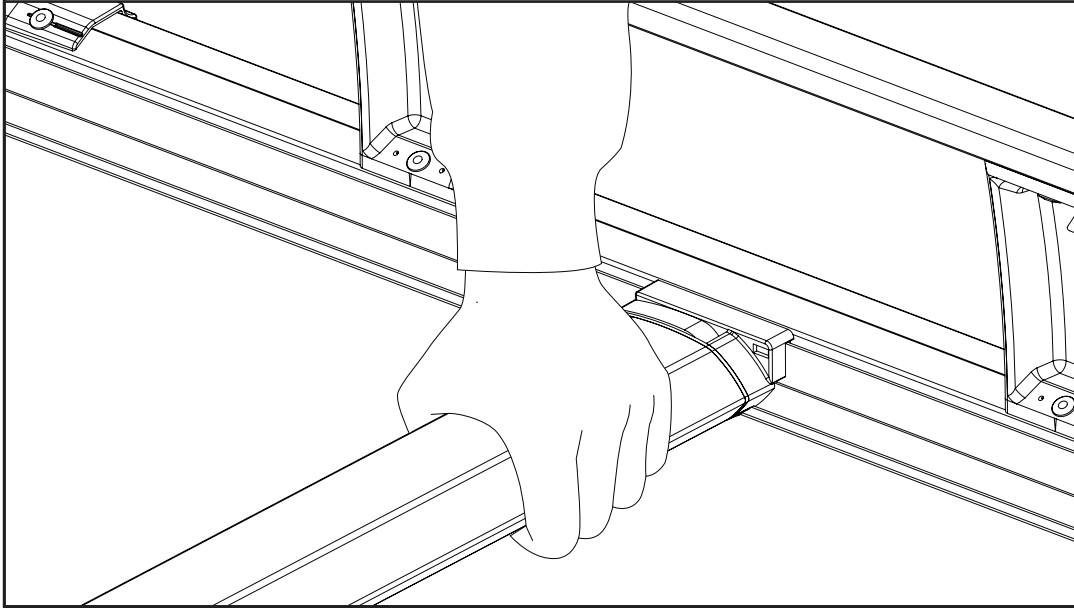
18 Assemble the roller spigot, M8x20 hex bolt and M8 shakeproof washer together. Place the assembly into the roller. Slide the roller onto the spigot fitted in step 17 and drop the other end into position. Tighten using the supplied tool (ME0182).



19 Push the plastic bungs into position (X4).



20 Check bars are fully secured.



21 Once fitted check fixings and parts to ensure they have been fully secured and tightened. Regularly check all fixings.



NOTES:

Maximum load capacity: 150KG (Including rack weight - please refer to page 2.) (Maximum load must be in accordance with the vehicle manufacturer's load bearing capacity. Please refer to the vehicles handbook.)
Regularly check all fixings.
Retain these instructions for future reference.