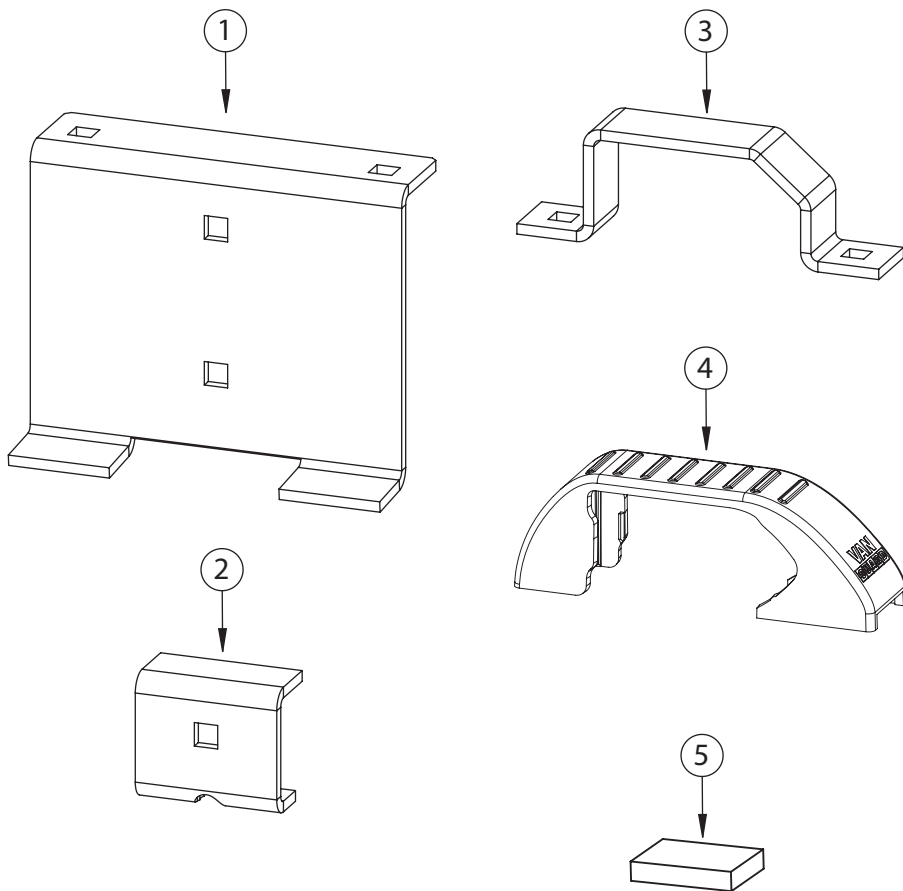


# VG208-245-2

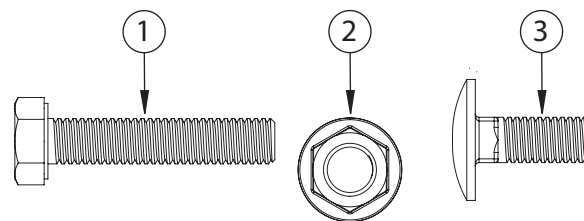
2 Heavy duty aluminium roof bars - Relay / Boxer / Ducato / Daily

### SUPPLIED COMPONENTS



#	DESCRIPTION	QTY
1	ROOF BRACKET	4
2	LOCKING CLAMP	4
3	TOP HAT	4
4	TOP HAT COVER	4
5	I27 RUBBER PAD	8
6	ROOF BAR	2

### SUPPLIED FIXING KIT



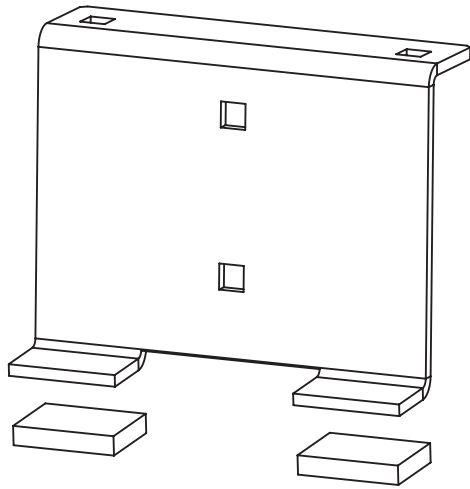
#	DESCRIPTION	QTY
1	M6x30 HEX BOLT	4
2	M6 SERRATED NUT	12
3	M6x16 COACH BOLT	8

TOOLS REQUIRED: 10mm SPANNER / RATCHET (X2)

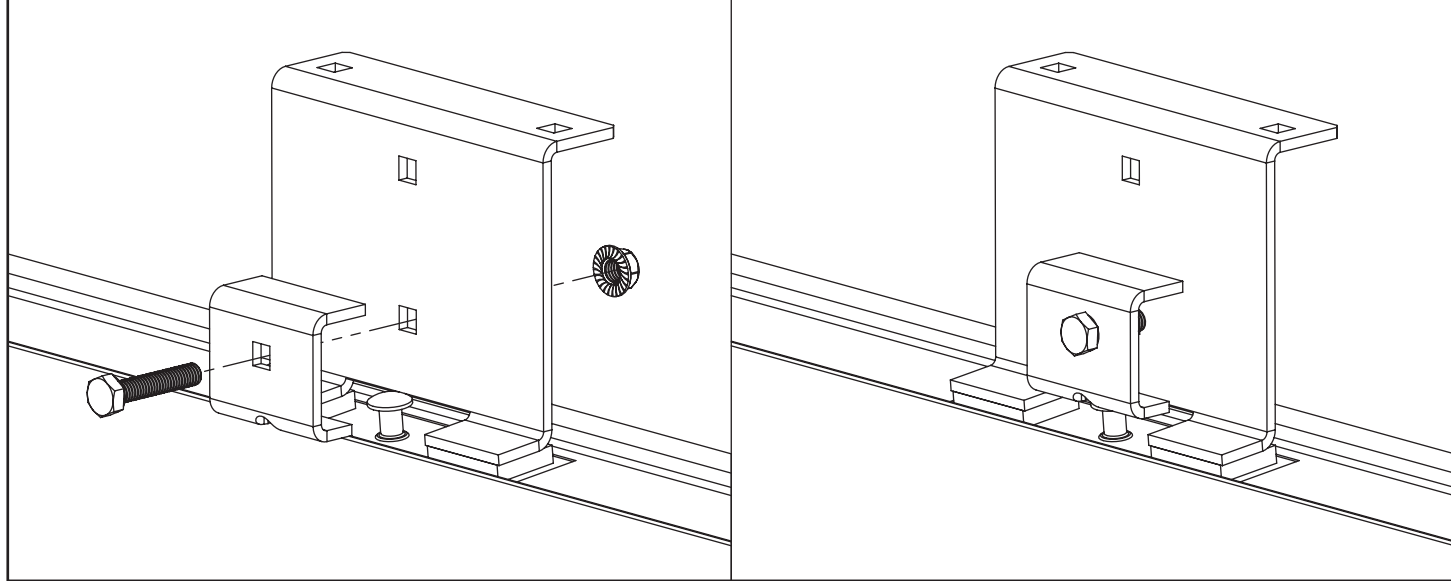
This FITTING INSTRUCTION is the property of VAN GUARD ACCESSORIES LTD. and must not be used for manufacturing purposes, copied nor communicated in any way to third parties without written permission from VAN GUARD ACCESSORIES LTD.  
IN8075\_A - IW - 19/04/2016

Van Guard Accessories Ltd  
Fair Oak Close, Exeter Airport Business Park,  
Exeter, Devon, EX5 2UL  
www.van-guard.co.uk

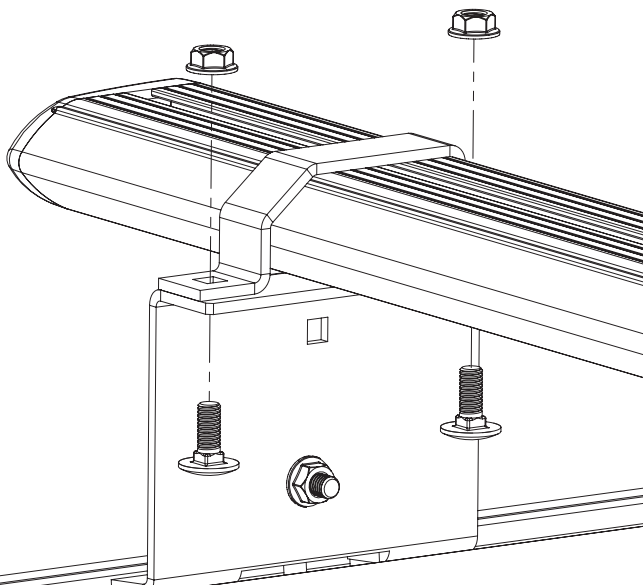
**1** Stick rubber pads to the underside of all roof brackets.



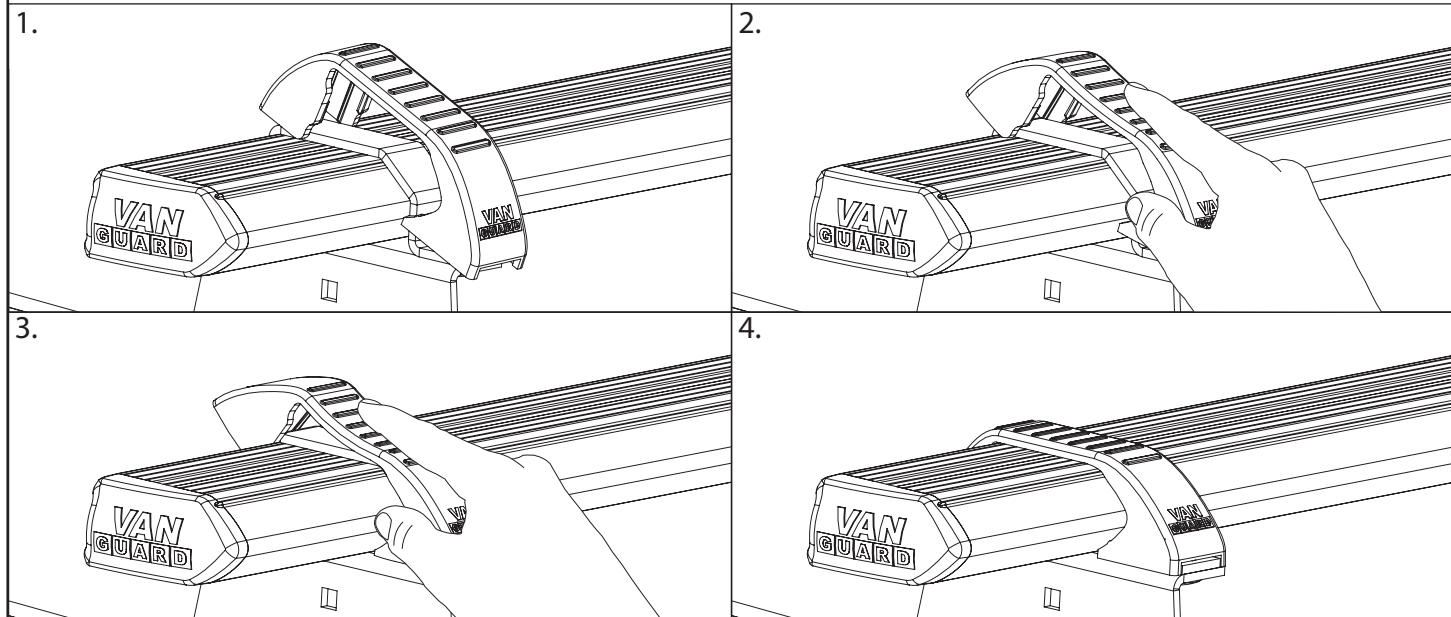
**2** Secure the roof brackets to the vehicles fixing points using locking clamps, M6x30 hex bolts & M6 serrated nuts. The locking clamps have a cut out on the bottom flange which slots into the fixing post. Ensure that the top hat flange is facing inwards.



**3** Place roof bars onto the roof brackets with the t-slot facing upwards, secure using top hat brackets, M6x16 coach bolts & M6 serrated nuts.



**4** Flex the top hat covers over the top hat brackets into position as shown below. Ensure that the covers click into the front and rear of the top hat brackets.



**5**

Once in position tighten all fixings to 8Nm.  
Periodically check all fixings.



**TIGHTEN  
TO  
8Nm**

**NOTES:**

Maximum load is 55kg per bar. Please check that the vehicle manufacturers load bearing capacity for the roof is not exceeded. (Refer to the vehicle handbook)

Periodically check all fixings.

Retain these instructions for future reference.

# VAN

# GUARD