

VG133-4 4 Heavy duty aluminium roof bars - Toyota Hi-Ace 2002 onwards

SUPPLIED COMPONENTS		#	DESCRIPTION	QTY
	1	FRONT NEAR SIDE BRACKET	1	
	2	FRONT OFFSIDE BRACKET	1	
	3	REAR / MIDDLE BRACKET	6	
	4	TOP HAT	8	
	5	TOP HAT COVER	8	
	6	FIXING BRACKET	8	
	7	ROOF BAR	4	
SUPPLIED FIXING KIT		#	DESCRIPTION	QTY
	1	M6x30 COACH BOLT	8	
	2	M6 SERRATED FLANGE NUT	24	
	3	M6x16 COACH BOLT	16	

TOOLS REQUIRED: 10mm SPANNER / RATCHET

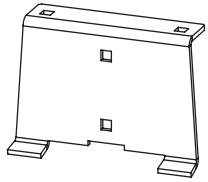
This FITTING INSTRUCTION is the property of VAN GUARD ACCESSORIES LTD. and must not be used for manufacturing purposes, copied nor communicated in any way to third parties without written permission from VAN GUARD ACCESSORIES LTD.

IN8034_A - IW - 03/05/2013

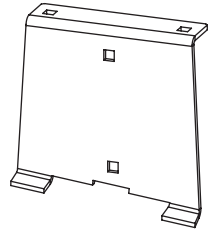
Van Guard Accessories Ltd
 Fair Oak Close, Exeter Airport Business Park,
 Exeter, Devon, EX5 2UL
www.van-guard.co.uk

1 The front brackets are handed to suit both sides of the vehicle. The brackets need to be positioned on the vehicle as shown below with the top hat flange facing inwards.

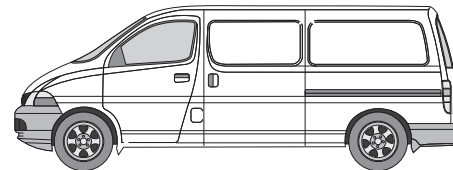
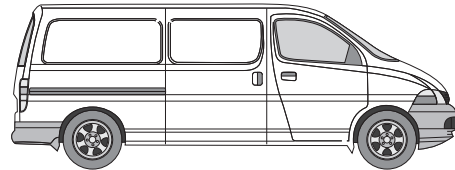
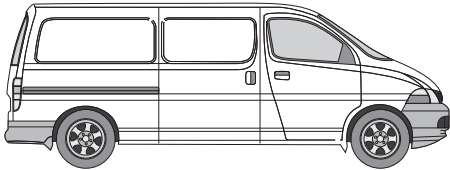
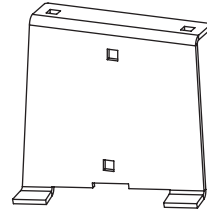
MIDDLE / REAR



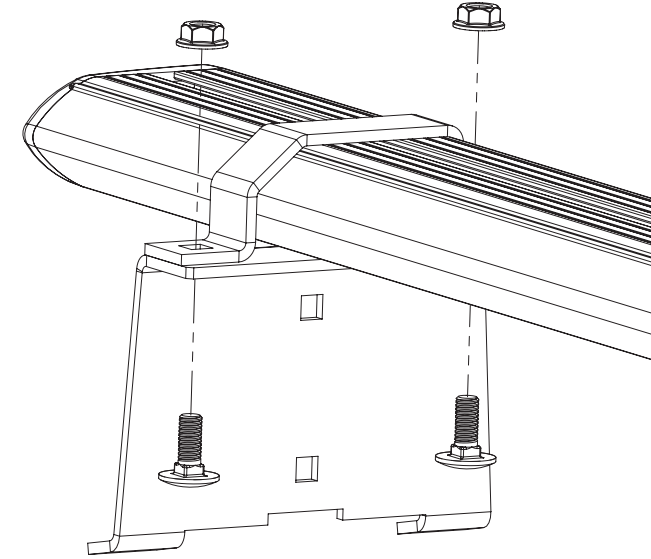
FRONT (HANDED) - ILLUSTRATION SHOWS OFFSIDE



FRONT (HANDED) - ILLUSTRATION SHOWS NEAR SIDE

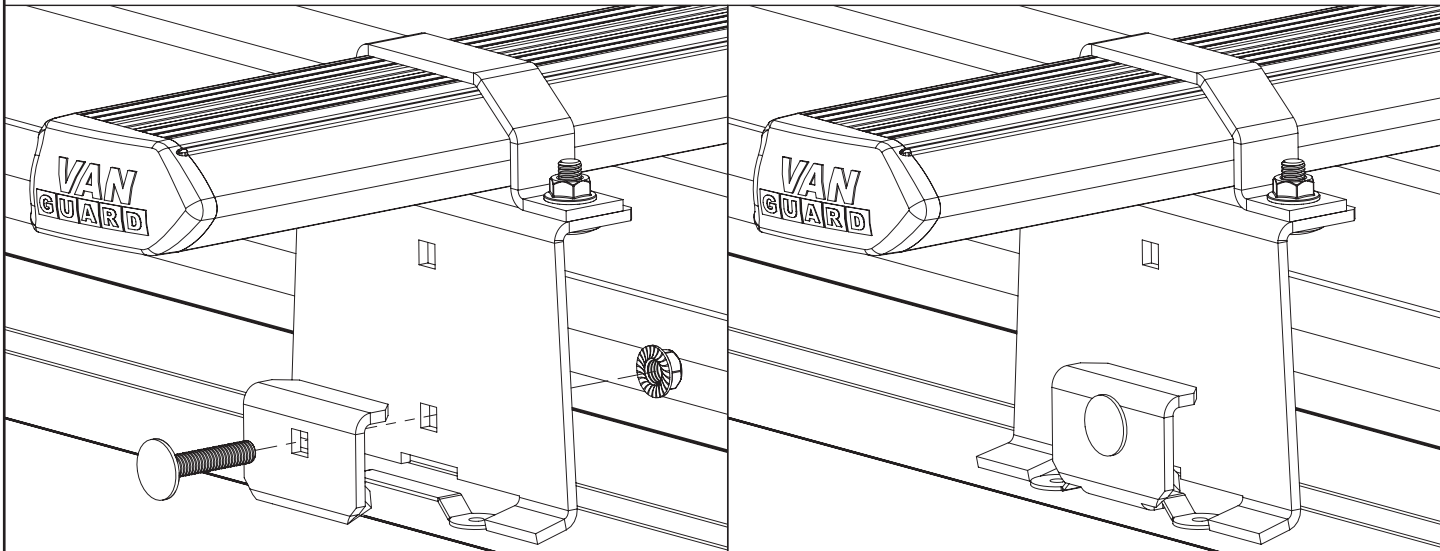


2 Loosely assemble roof bars to the roof brackets using top hats, M6x16 coach bolts & M6 serrated nuts. Ensure that the top hat flange is facing inwards.



3 Hook the fixing clips under the vehicles fixing points.

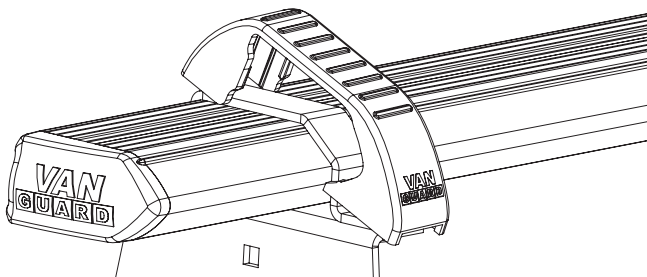
Place assembled roof bars onto the roof and **loosely** secure as shown below using M6x30 coach bolts & M6 serrated nuts.



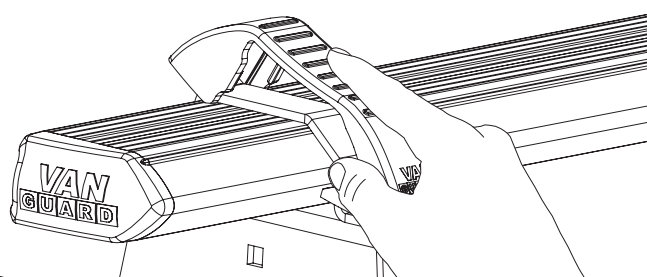
4

Flex the top hat covers over the top hat brackets into position as shown below. Ensure that the covers click into the front and rear of the top hat brackets.

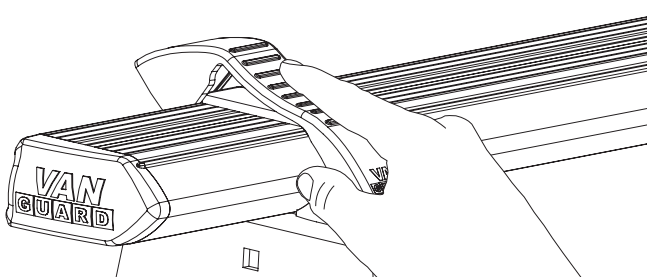
1.



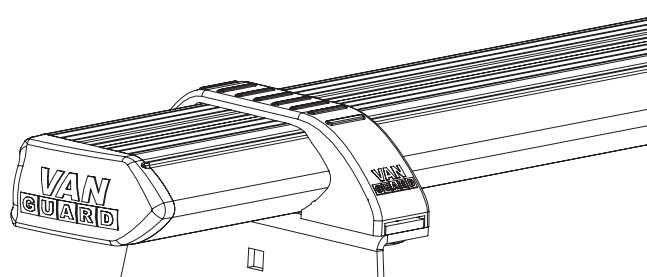
2.



3.



4.

**5**

Once in position tighten all fixings to 8Nm. Periodically check all fixings.



**TIGHTEN
TO
8Nm**

NOTES:

Maximum load is 55kg per bar. Please check that the vehicle manufacturers load bearing capacity for the roof is not exceeded. (Refer to the vehicle handbook)

Periodically check all fixings.

Retain these instructions for future reference.

VAN

GUARD