

URINAL PIPEWORK Installation Guidance

These instructions supersede all other instructions for these products



Manufactured under license
and distributed by MBL

www.masefield-beta.co.uk

1. Check the contents of all packs immediately against the parts list provided on Page 3 and report missing parts.
 - a) Check that the pack contents are suitable for the planned installation and the sanitary ware being used.
 - b) Check that the pack contains the correct pipe-work for the number of urinals and the cistern type being used. See Component Check List.

2. Referring to the installation sketch on Page 4, secure the bowl hanger brackets to the wall and fit the bowls ensuring that they are at the correct distance apart (maximum distance 700mm) and at the correct height.

Make sure that the screws and plugs are suitable for the supporting wall.

3. Decide where the cistern is to be sited and fit to the wall. If the ceiling height does not allow for the cistern to be fitted at the height shown, fit it as high as possible allowing for future cistern maintenance work.

Increasing the cistern height above the recommendations, will increase the water pressure and could cause overspill at the bowls!

4. Fit spreaders to the bowls ensuring that the pipe connections are correctly orientated to suit the new pipe-work direction. Ensure that you make a water seal to the cistern, but do not over-tighten. The urinal wastes (not included in the pack) can also be fitted at this time.
5. Fit the bowls to the wall brackets and check the levels, height and distances between centres against the pictorial guidance. The waste pipe-work may be completed at this stage.
6. Assemble the water supply flush pipe components ready for the installation.

NB: Before fitting any water pipes to the push-fit spreader connections, ensure that the pipe ends are completely round and free of burrs. The pipe-work may not push over the connection if the pipes are out of shape.

When pipes require cutting, use a wheel type cutter to provide an ideal finish to the pipe ends to provide an easier connection to fittings.

Do not use a wheel cutter on the pipe ends that enter the top inlet spreaders! This may occur when using bowl variations!

If a hacksaw has to be used, where possible use a high speed steel blade, with 32 teeth per inch and then de-burr the pipe ends.

7. Start assembling the flushing system at the spreaders.












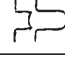
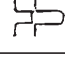






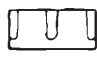
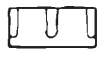

Ensure before connecting the spreaders to the pipe-work that the white restrictor/guide is in place in the spreader. It is most important that this part is in place. Failure to use this part may also result in "oversplashing".

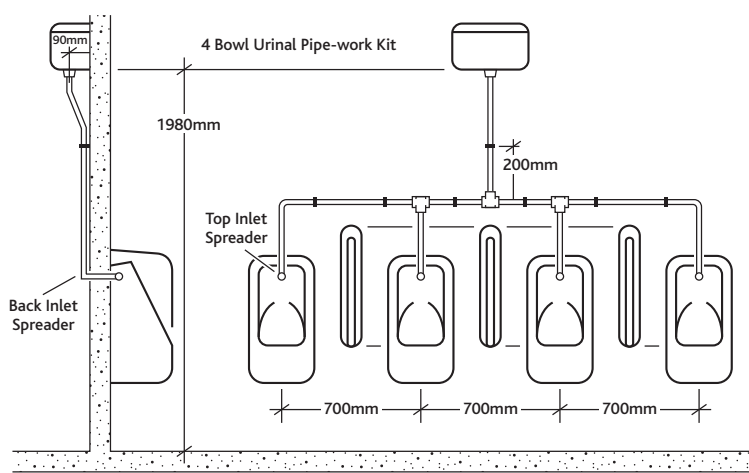
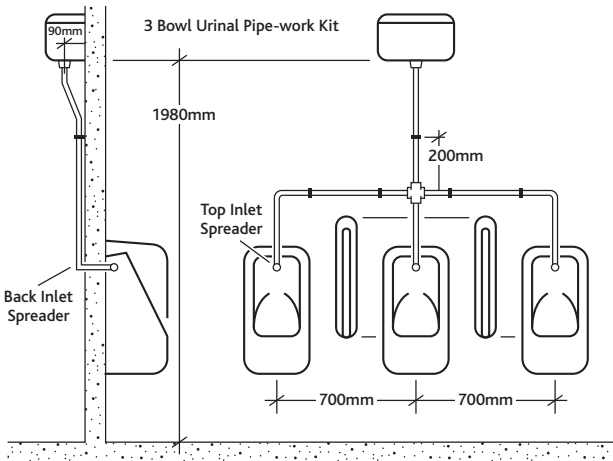
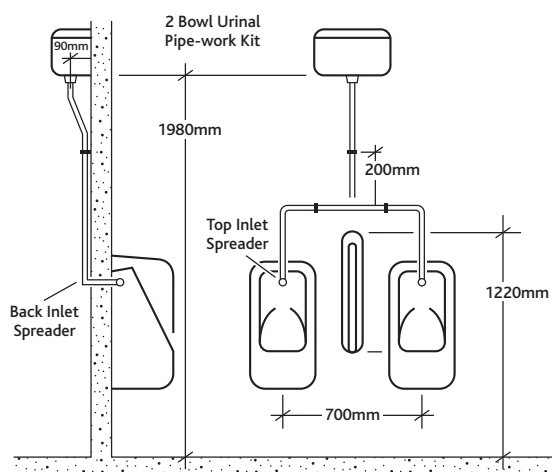
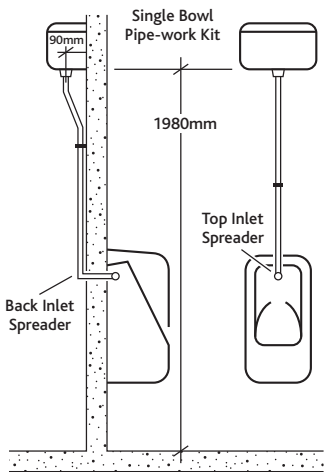
Work upwards towards the cistern and cause as little movement to the spreaders as possible. Make sure that the pipe saddle clips are in place to support the pipe-work.

8. Fit the primary down-pipe into the cistern coupling and hand tighten.
9. Check with the installation sketch and complete vertical and horizontal alignment. Tighten the cistern coupling and check all waste connections.
10. Turn the water on and fill the cistern. Check that the cistern flushes correctly. Check that each bowl receives an adequate supply of flushing water and that the waste outlet system is operating correctly.
11. If the spreaders splash or over-spray, there could be debris from the installation process trapped in the spreaders. Clear any debris and check again for a clear flow of water.
12. Clean the installation and work area and apply silicon sealant where the bowls meet the wall, if required.
13. Pass on the working instructions and advice for day-to-day maintenance to the user.
14. Only use mild detergents to clean the pipe-work. Many stronger household and industrial cleaners will damage the pipe-work and the fittings' finish.

COMPONENT CHECK LIST

Urinal Pipework for 1 - 4 Bowls

Compression Fittings		Universal Fixings					
Item	Component Part No.	Component Description	Illustration	Number of Bowls			
				1	2	3	4
1	715609	Down Pipe 15mm OD x 1,045mm Long with Coupling Spigot		1			
2	727211	Down Pipe 22mm OD x 650mm Long			1	1	1
3	700210L	Combined Horizontal and Foot Pipes 15mm OD x 345 x 420mm - Left			1		
4	700210R	Combined Horizontal and Foot Pipes 15mm OD x 345 x 420mm - Right			1		
5	700310L	Combined Horizontal and Foot Pipes 15mm OD x 695 x 420mm - Left				1	1
6	700310R	Combined Horizontal and Foot Pipes 15mm OD x 695 x 420mm - Right				1	1
7	7S1325	Intermediate Horizontal Tube 15mm OD x 325mm Long					2
8	700110	Foot Pipe Tube 15mm OD x 405mm Long				1	2
9	693112	15 x 15 x 22mm Compression Tee			1		1
10	694112	15 x 15 x 22 x 15mm Compression Cross				1	
11	693111	15 x 15 x 15mm Compression Tee					2
12	402230	22mm 2 Piece Saddle Clip			1	1	1
13	401530	15mm 2 Piece Saddle Clip		2	2	2	4
14	405510	Cistern Support Bracket		2	2	2	2
15	405700	Urinal Bowl Support Bracket		2	4	6	8
16	9590825	Steel Wood screws 1" x 8 Gauge R/Head		4	6	6	10
17	999000B	White Plastic Masonry Plugs		4	6	6	10
18	9Z91050	Steel Wood screws BZP 2" x 10 Gauge R/Head		8	12	16	20
19	999000R	White Plastic Masonry Plugs		8	12	16	20
20	62100P	1" BSP Plastic Coupling Nut 22mm Backbore			1	1	1
21	62101P	1" BSP Plastic Coupling Nut 25mm Backbore for Single Bowl Set		1			
22	BS314	Syphon Seal O Ring. For Downpipe		1	1	1	1



Q. What if there is insufficient ceiling height to install the cistern as shown in the guide drawings?

A. There could be problems with water flow rate to the bowls.

Q. What if we use an existing cistern or install a new cistern that is higher than you have shown?

A. You may find that the urinal bowls overflow. A flow control valve may be required in the pipe work.

Q. Which traps are most suitable for urinal bowls?

A. British Standard S or P traps. The use of Bottle Traps should be avoided primarily due to the possibility of blockages, resulting in odour and possible overflow!

Q. What would cause bowls to overflow?

A. Cistern too high increasing the water pressure.

A. Debris blocking the waste/trap outlet.

A. Incorrect waste installed in the bowl resulting in insufficient free space to allow the water to evacuate.

A. Incorrect/undersized waste pipe work. No fall on waste pipe work.

Q. What size waste fittings are required with Urinal Bowls?

A. Normally 1.114" BSP threaded waste fittings, flush grated or dome. In some instances 1.1/2" BSP threaded wastes are used, but usually on larger installations.

Q. What size waste pipe-work is required for drainage from urinals bowls?

A. Normally 35mm outside diameter pipe with elbows and coupling to suit. 42mm OD when using 1.1/2" BSP Wastes.

Q. I have the water supply pipe work coming in through a wall and am using back inlet spreaders. The wall is only 75mm thick. Can I cut the spreaders to suit?

A. Yes, the back inlet spreaders have 1/2" BSP threads which may be cut to size and still allow BSP fittings to screw on. Make sure that you file the cut part in order to make the connection easier.

Q. I have installed all parts as per the drawings provided. However, when the cistern flushes there is insufficient water flow in the bowls.

A. Is the flow rate slow to all bowls? Imagine a 4 urinal installation. If the water flow is slow to all bowls, look for a cistern problem or a blockage in the primary down-pipe that feeds all bowls, the one from the cistern.

If the flow rate is slow to only 2 of the 4, then there is a problem only on this side of the installation. Check the spreaders for blockage from debris.

Q. What if we want to install 7 urinals? Is there a seven pack?

A. No, the pipe-work you would require to supply sufficient water to 7 urinals would be larger and therefore more expensive. Plus a larger cistern would be required. It is more economical and easier to install 2 sets side by side. In this instance a 3 bowl together with a four bowl set.