

# Hydroflo Telescopic Delay-Fill

Fully Adjustable Brass Tailed Bottom Inlet Valve



## Applications

Designed for use as a replacement in most plastic and ceramic exposed and concealed cisterns

## Water-Saving

Delay-Fill operation saves water and supports the code for sustainable homes and BREEAM by only re-filling once flushing is complete

## Features

Professional brass tail prevents cross threading during installation

Compact body and float arm

Silence tube for quiet filling

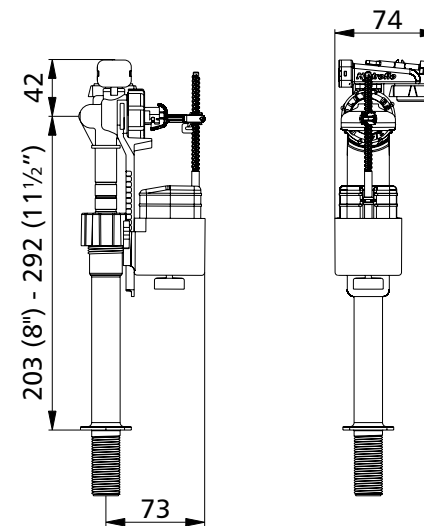
Unique key for filter removal

2 back-flow prevention devices

Conforms to BS1212 Part 4

Telescopic design allows for adjustment from 203mm (8") to 292mm (11½")

## Dimensional Data



**WRAS**  
APPROVED  
PRODUCT