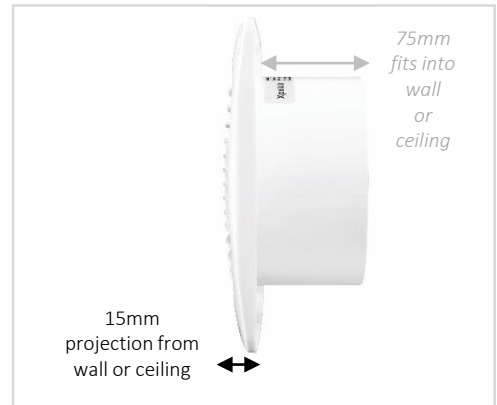


# VX100 – 4 inch (100mm) Bathroom Fan Extractor Fan



## Slim Modern Design

With a projection of just 15mm and in a cool white finish the VX100 fan blends seamlessly with surrounding décor.

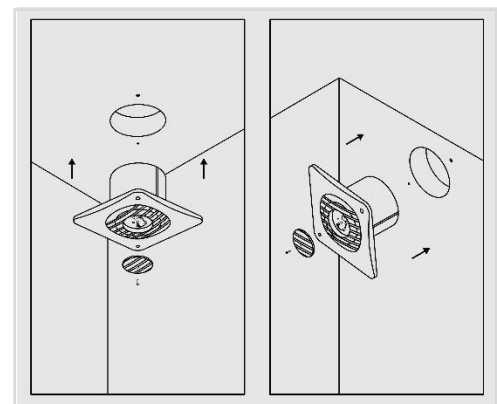


## Complies with Building Regulations

Designed for use in bathrooms the VX100 is IPX4 rated and meets Building Regulation Part F delivering 20 litres of air flow (73m<sup>3</sup> per hour).

## Features and Benefits

- Slim profile 4" (100mm) bathroom fan in a cool white finish.
- Projection of just 15mm from the wall or ceiling
- Single speed fan operated by a remote switch, typically a light switch
- Complies with building regulation Part F delivering 20 litres per second
- IPX4 rated – designed for use in bathrooms
- Sound level rating 37 dBA @ 3 meters
- Suitable for window or ceiling installations
- Standard Fan - turns on/off by remote switch
- Timer Delay – turns on/off by remote switch with a timer delay set to run between 30 seconds and 30 minutes after switching off
- Compatible with 100mm diameter ducting
- Suitable for a wide range of applications including bathrooms, shower rooms and toilets.
- 2 year guarantee



## Ceiling and Wall Installations

Supplied with screws and raw plugs and designed for a quick and easy installation into either wall or ceiling.

## Selecting the right fan for your home:

If you are replacing an existing fan the chances are you want a simple and easy installation? To help you we have produced a fan selector to help you identify the type of fan you have installed and by doing so confirming the wiring you have in place. Identifying a fan that will easily fit onto your existing wiring ensures a quick and inexpensive replacement.

For any further queries about replacing or installing a new fan we recommend you consult a qualified electrician.

What type of fan do you have in your home?	The fan you have at home is...	The wiring you have in place means you can chose the following replacement fan for a quick and easy installation
My fan turns on and off when I turn on the light switch (or another remote switch). When I turn the light off my fan switches off.	You have a <b>STANDARD</b> bathroom fan	The wiring is in place to install a <b>STANDARD</b> fan only
My fan turns on and off with the light switch. When I turn it off it carries on running for a period of type (30 second to 30 minutes)	You have a <b>TIMER DELAY</b> bathroom fan	The wiring is in place to install a <b>TIMER DELAY</b> or <b>HUMIDISTAT</b> fan
My fan turns on and off by pulling a cord attached to the fan.	You have a <b>PULL CORD</b> bathroom fan	The wiring is in place to install a <b>PULL CORD</b> fan only
My fan sometimes turns it self on and off. It can also be switched on by turning on the light switch .	You have a <b>HUMIDISTAT</b> bathroom fan	The wiring is in place to install a <b>TIMER DELAY</b> or <b>HUMIDISTAT</b> fan

## What's inside the box

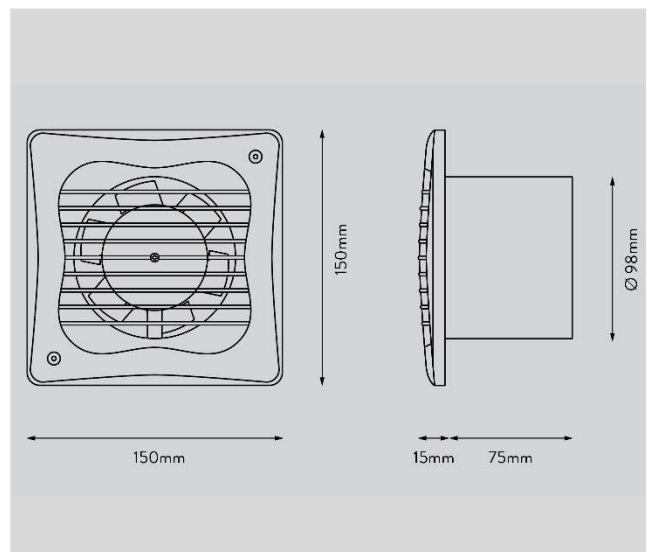
4" Bathroom Fan
Screws and Raw Plugs
Instruction and User Manual

### PLEASE NOTE:

- The VX100 fan is not supplied with ducting or an external grille.
- The VX100 fan is compatible with 100mm diameter ducting

## Technical Information – for the installer

Electrical Power Rating (W)	16
Hole Diameter	98mm
Weight:	0.5kg
Extraction Rate: metre <sup>3</sup> per hour	73
Extraction Rate: litres per second	20
Sound Pressure Level dBA @ 3m	37
Guarantee	2 years



## Redring Xpelair

Newcombe Way,  
Orton Southgate,  
Peterborough. PE 2 6SE