

i

Y	X
16	83
19	74
22	64
26	52
28	46

16, 26, 107°, Y (≤28), X, 1,5, 167, 105, 3, 3

≥100, 4

1

16, 12, Ø5, 38, 32, 32, 32, 37, Ø5

2

5 mm

9 mm

i

B^*

$* B = A - 5,5$
 $B \text{ min.} = 7,0$
 $B \text{ max.} = 13,5$

24,5 + A, 40,5 + A, 6,5, Ø9, 32, 32, 32, 32, 32, 32, A+15,5, A+15,5, A, 24,5, 24,5

i

$A = K - F$

B, Ø7,8, 90°, F, A, Ø9, 6,5, K

Euro ø 6,3

732.23.011

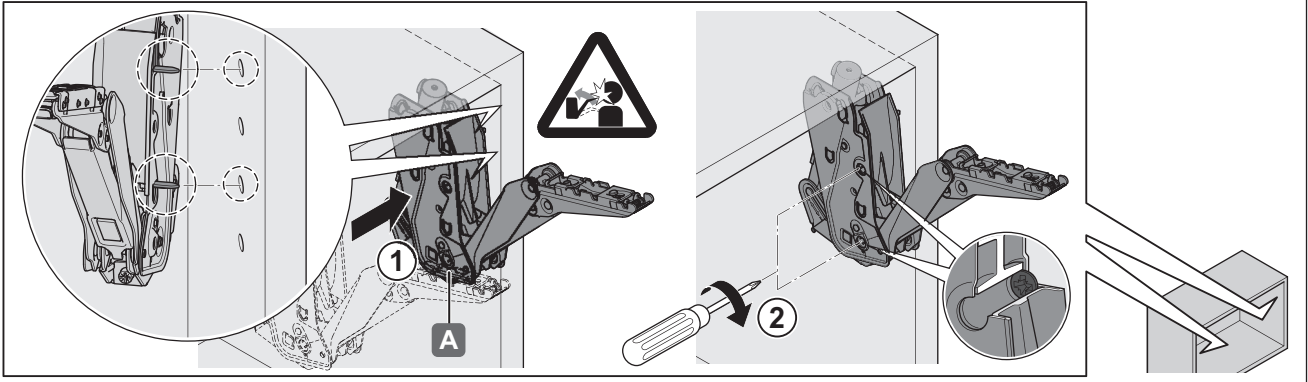
12.0001.010.378.0000.00

HDE 19.12.2012

3



PZ 2

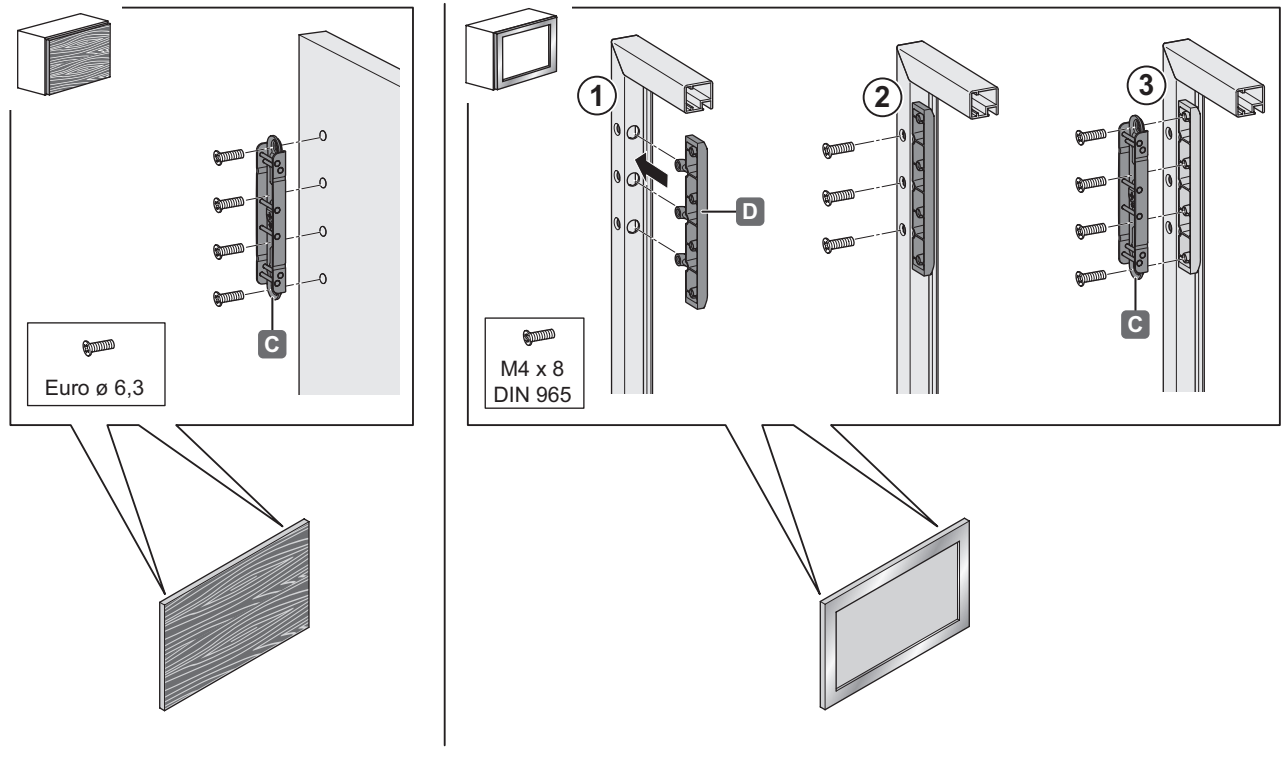


4



PZ 2

mm

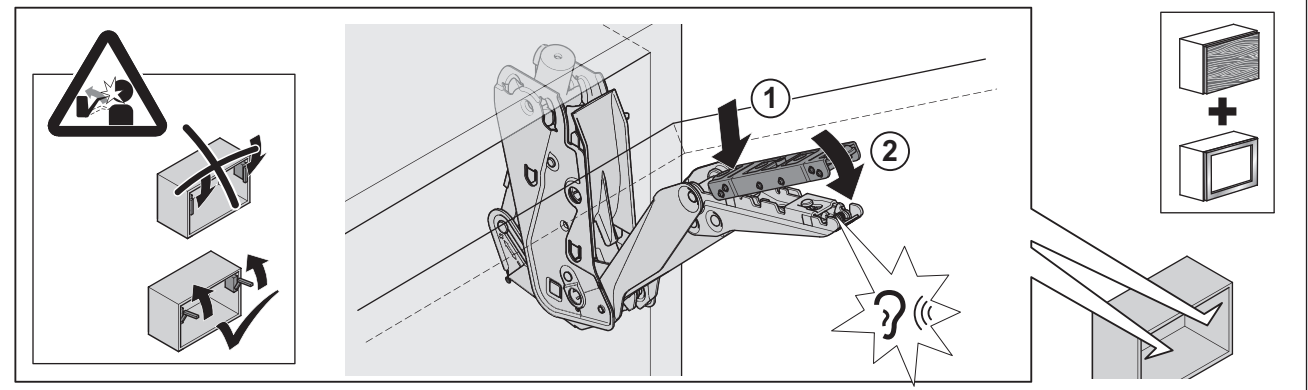


732.23.011

12.0001.010.378.0000.00

HDE 19.12.2012

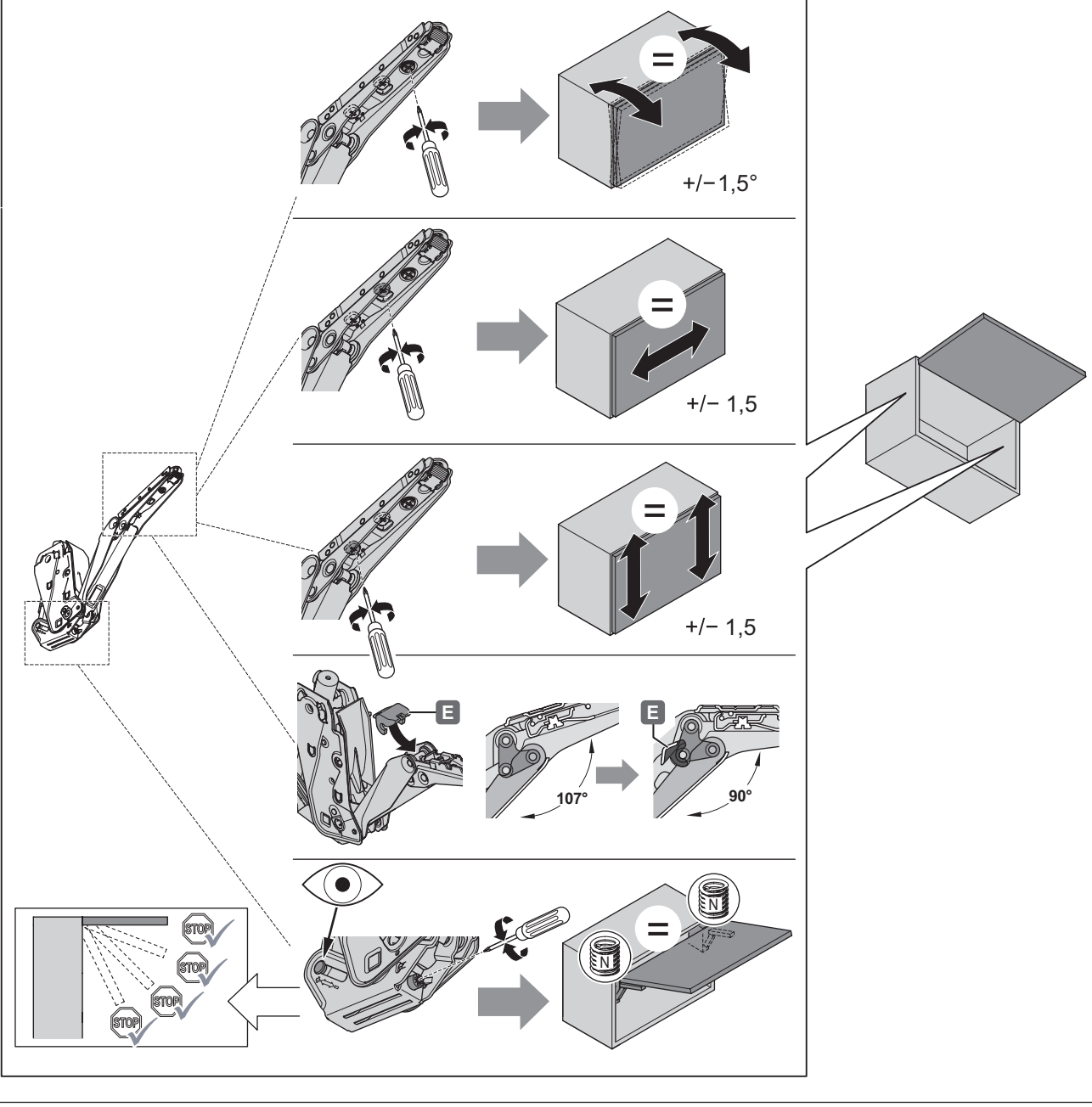
5



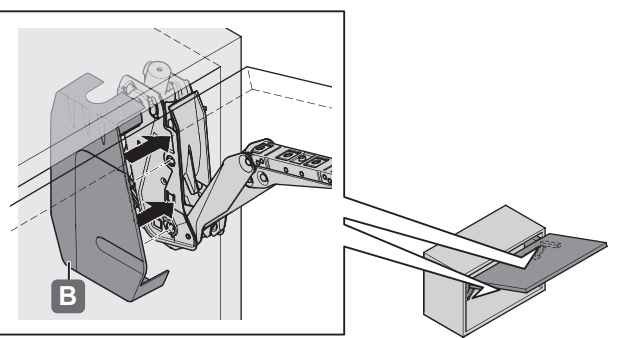
6



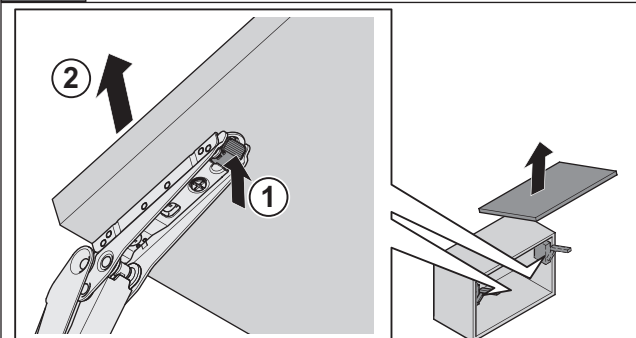
PZ 2



7



i



732.23.011

12.0001.010.378.0000.00

HDE 19.12.2012